



US00D592578S

(12) **United States Design Patent**  
**Chung**

(10) **Patent No.:** **US D592,578 S**

(45) **Date of Patent:** **\*\* May 19, 2009**

(54) **AUTOMOTIVE WHEEL**

(76) **Inventor:** **Suny Chung**, 3283 Red Pine Rd., Yorba Linda, CA (US) 92886

(\*\*) **Term:** **14 Years**

(21) **Appl. No.:** **29/313,370**

(22) **Filed:** **Dec. 31, 2008**

(51) **LOC (9) Cl.** ..... **12-16**

(52) **U.S. Cl.** ..... **D12/209**

(58) **Field of Classification Search** ..... D12/204-213;  
301/37.101, 64.101, 65, 64.201

See application file for complete search history.

(56) **References Cited**

**U.S. PATENT DOCUMENTS**

D477,266 S *	7/2003	Chung	.....	D12/211
D486,115 S *	2/2004	Chung	.....	D12/211
D493,404 S *	7/2004	Baum	.....	D12/211
D503,668 S *	4/2005	Boyer	.....	D12/209
D504,382 S *	4/2005	Elmitt	.....	D12/211
D505,372 S *	5/2005	Kushartanto	.....	D12/209
D516,002 S *	2/2006	Fahr-Becker	.....	D12/211
D521,438 S *	5/2006	Nordmann	.....	D12/211
D530,252 S *	10/2006	Gabath	.....	D12/209

D537,026 S *	2/2007	Nordmann	.....	D12/209
D540,238 S *	4/2007	Sycha	.....	D12/209
D540,240 S *	4/2007	Kountouras	.....	D12/211
D542,728 S *	5/2007	Ichinose	.....	D12/211
D558,118 S *	12/2007	Hueller	.....	D12/211
D569,777 S *	5/2008	Chung	.....	D12/211
D576,096 S *	9/2008	Chung	.....	D12/211
D579,846 S *	11/2008	Chung	.....	D12/209
D583,742 S *	12/2008	Juergens et al.	.....	D12/211

\* cited by examiner

*Primary Examiner*—Cathron C Brooks

*Assistant Examiner*—Austin Murphy

(57) **CLAIM**

The ornamental design for an automotive wheel, as shown and described.

**DESCRIPTION**

FIG. 1 is a perspective view of an automotive wheel, showing my new design; and,

FIG. 2 is a front view thereof.

The broken lines shown in FIG. 1 show portions of the wheel that form no part of the claimed design.

**1 Claim, 2 Drawing Sheets**

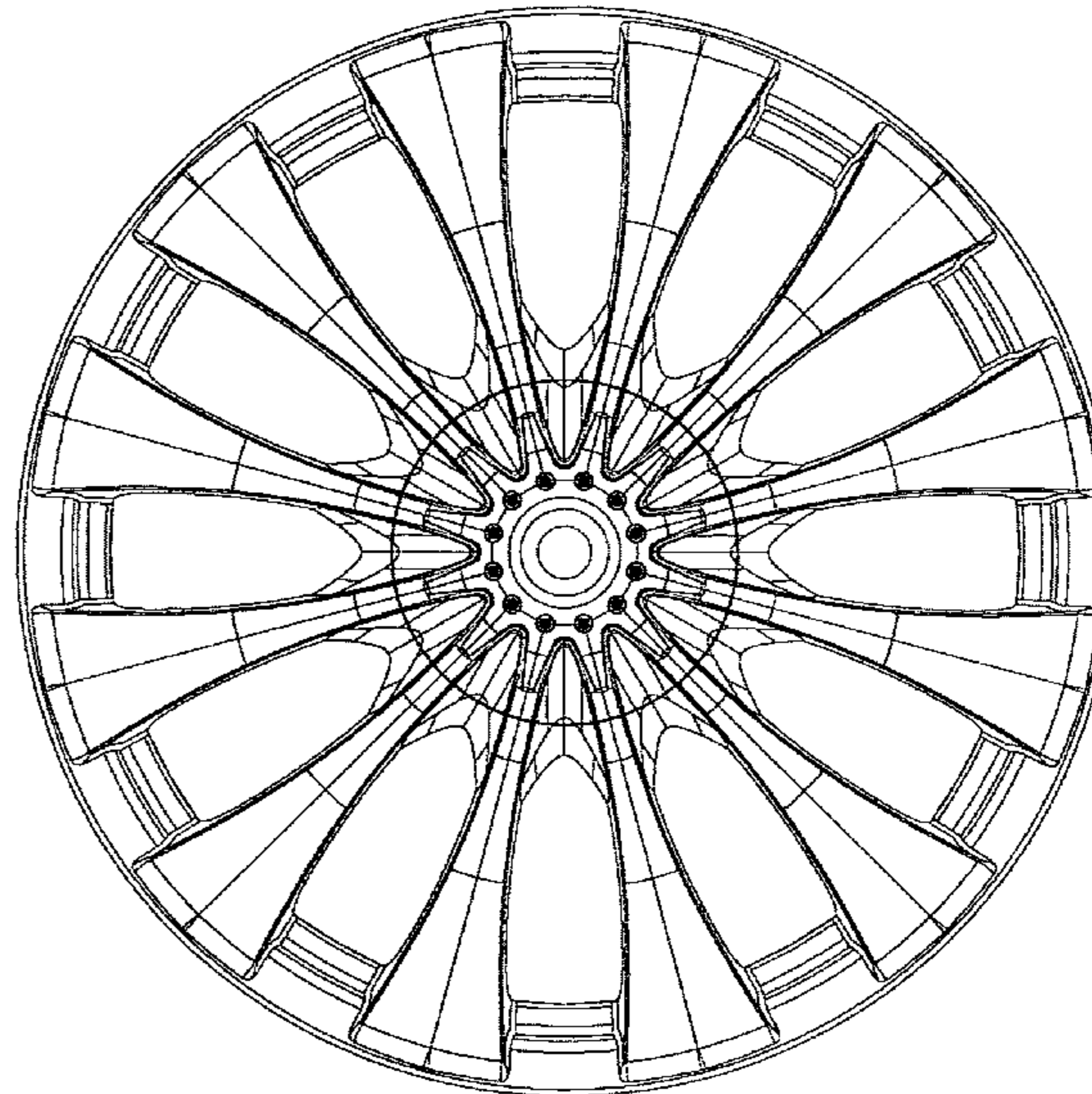
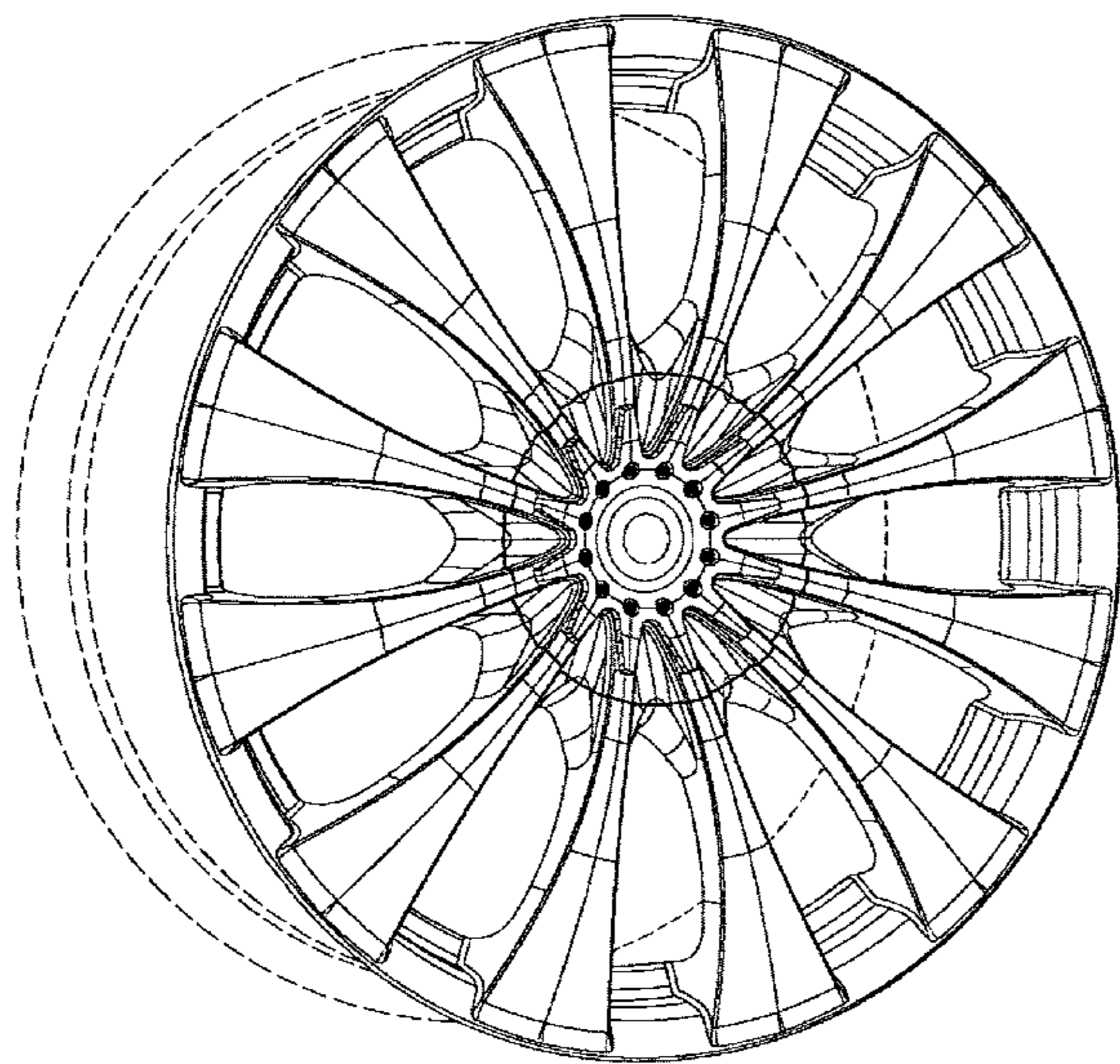


Figure 1

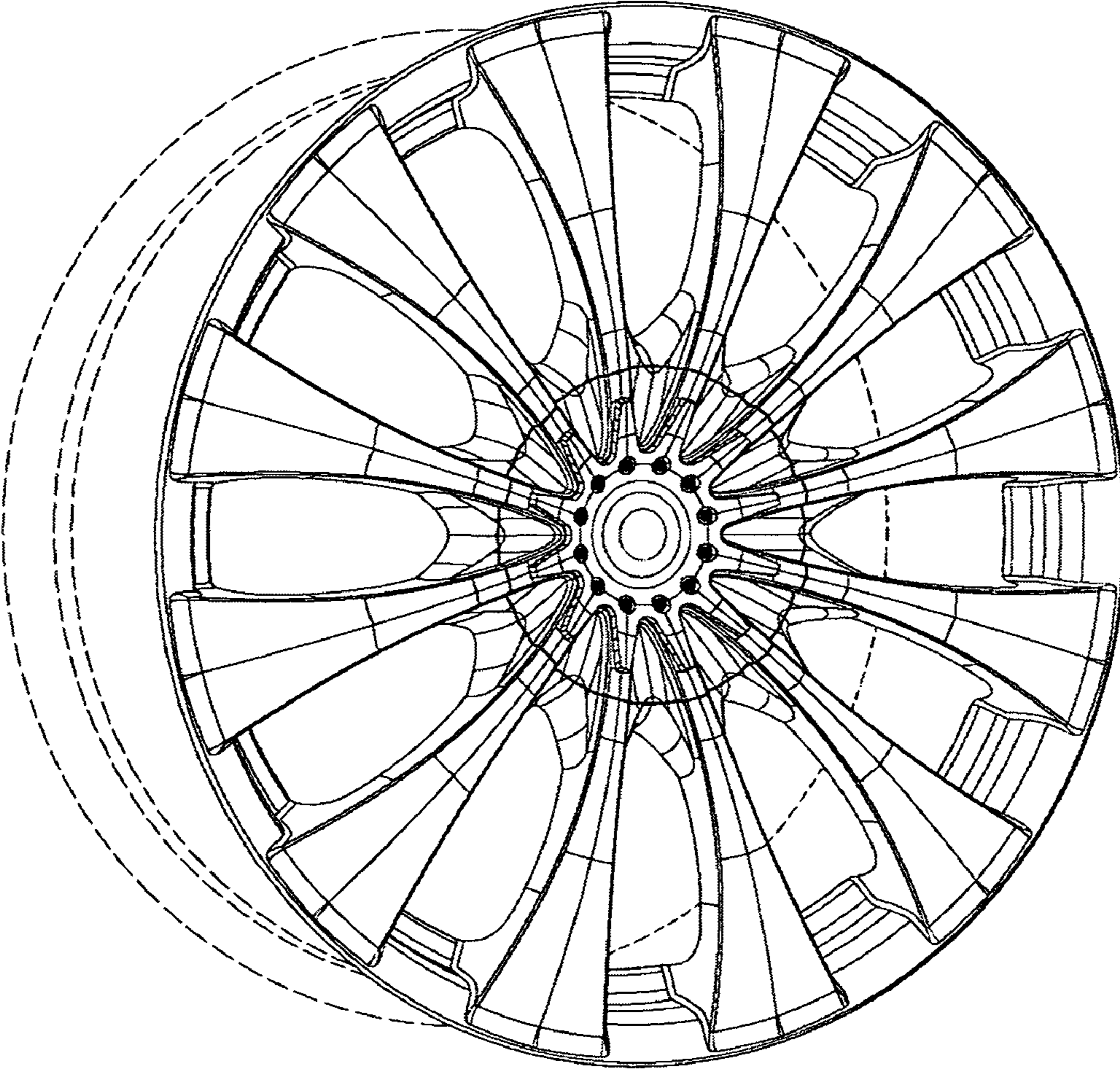


Figure 2

