



US00D592576S

(12) **United States Design Patent**  
**Cheney**

(10) **Patent No.:** **US D592,576 S**

(45) **Date of Patent:** **\*\* May 19, 2009**

(54) **CHIMENEA**

(75) Inventor: **Jeffrey Cheney**, San Francisco, CA (US)

(73) Assignee: **Bird Brain, Inc.**, Ypsilanti, MI (US)

(\*\*) Term: **14 Years**

(21) Appl. No.: **29/301,969**

(22) Filed: **Mar. 25, 2008**

(51) **LOC (9) Cl.** ..... **12-16**

(52) **U.S. Cl.** ..... **D12/194**

(58) **Field of Classification Search** ..... D23/314,  
D23/315, 317, 318, 322, 332, 333, 335, 336,  
D23/337, 338, 339, 342, 343, 344, 351, 353,  
D23/354, 365, 367, 347, 350, 373, 374, 398,  
D23/401, 402; D7/323, 359, 362, 365, 367,  
D7/402, 403, 407; 237/49, 50, 52; 392/350,  
392/373, 407, 433

See application file for complete search history.

(56) **References Cited**

**U.S. PATENT DOCUMENTS**

D209,255 S *	11/1967	Sandford	.....	D23/348
D210,109 S *	2/1968	Bjorgan	.....	D23/348
D215,718 S *	10/1969	Radeke	.....	D23/348
D236,347 S *	8/1975	Crownover	.....	D23/348
D243,092 S *	1/1977	Sheth	.....	D23/348
D247,914 S *	5/1978	Wiggins	.....	D23/348
4,167,177 A *	9/1979	Wigins	.....	126/531

D256,500 S *	8/1980	Johnson	.....	D23/348
D365,145 S *	12/1995	Shadman	.....	D23/348
D442,268 S *	5/2001	Weiss	.....	D23/348
6,761,130 B1 *	7/2004	Vicknair	.....	119/165

\* cited by examiner

*Primary Examiner*—T. Chase Nelson  
*Assistant Examiner*—Michael A Pratt  
(74) *Attorney, Agent, or Firm*—Butzel Long

(57) **CLAIM**

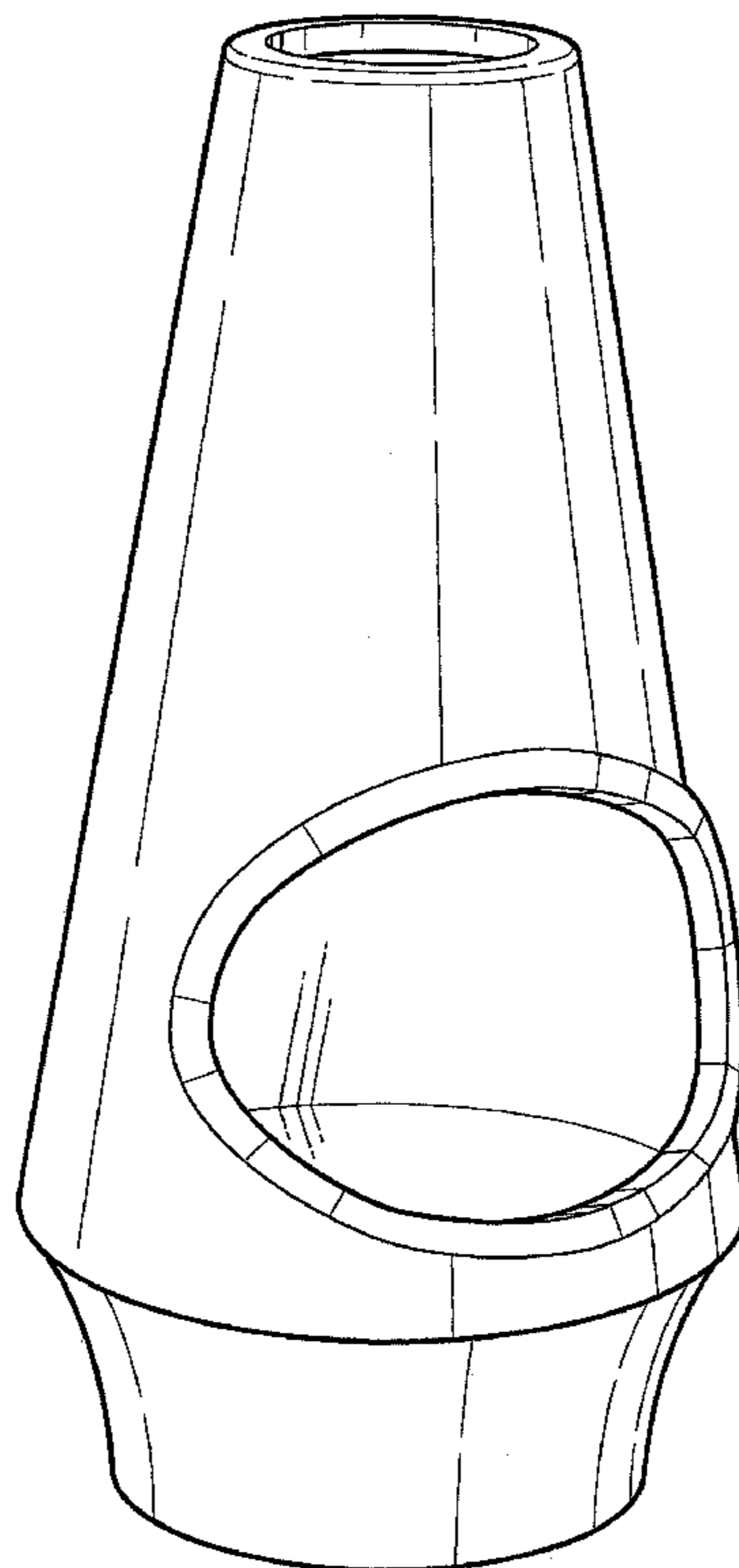
I claim the ornamental design for a chimenea, as shown and described.

**DESCRIPTION**

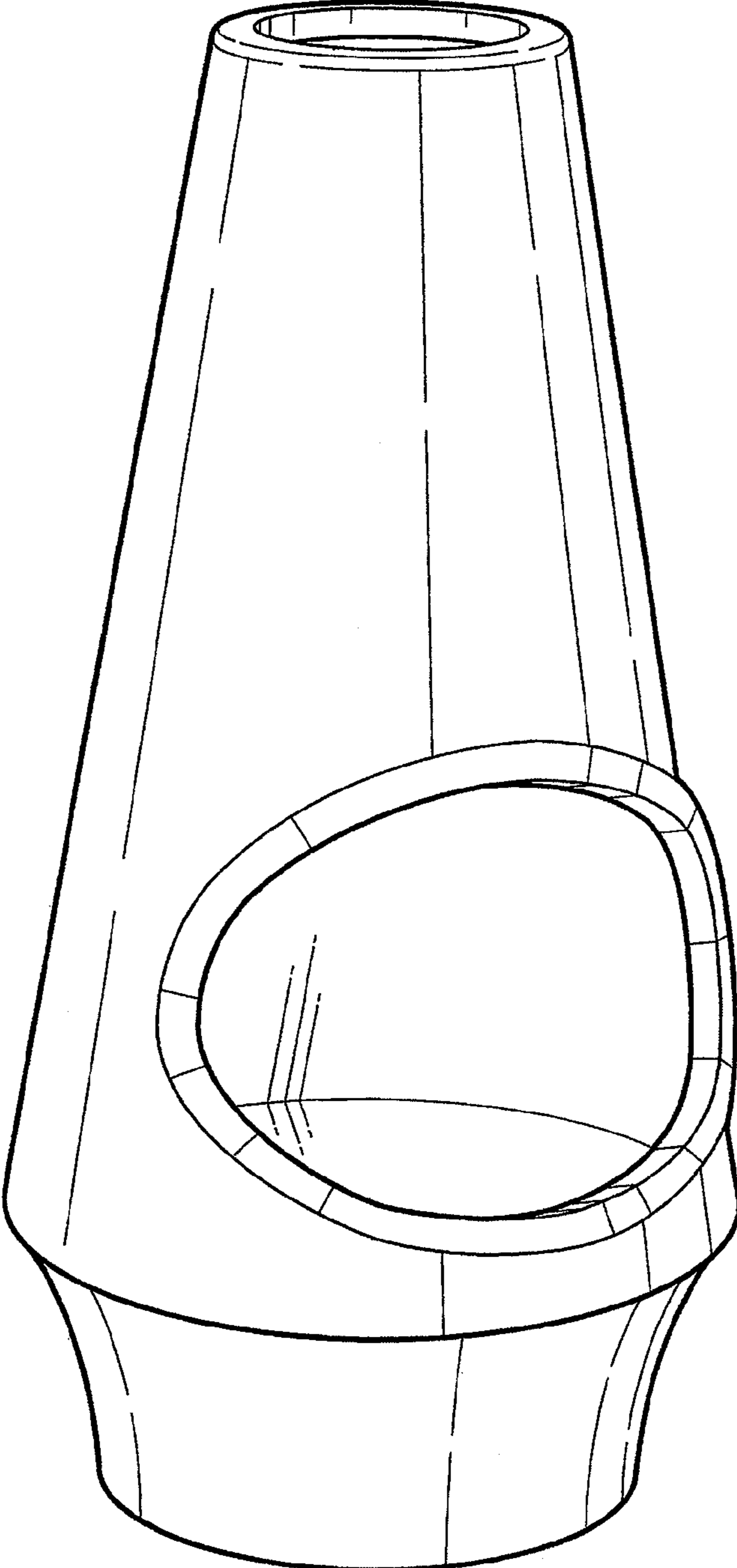
FIG. 1 is a perspective view of my design;  
FIG. 2 is a frontal view of the design of FIG. 1;  
FIG. 3 is a lateral view of the design of FIG. 1, the opposite lateral view being identical thereto;  
FIG. 4 is a rear view of the design of FIG. 1;  
FIG. 5 is a top view of the design of FIG. 1;  
FIG. 6 is a bottom view of the design of FIG. 1; and,  
FIG. 7 is a perspective view of my design shown in an operational environment.

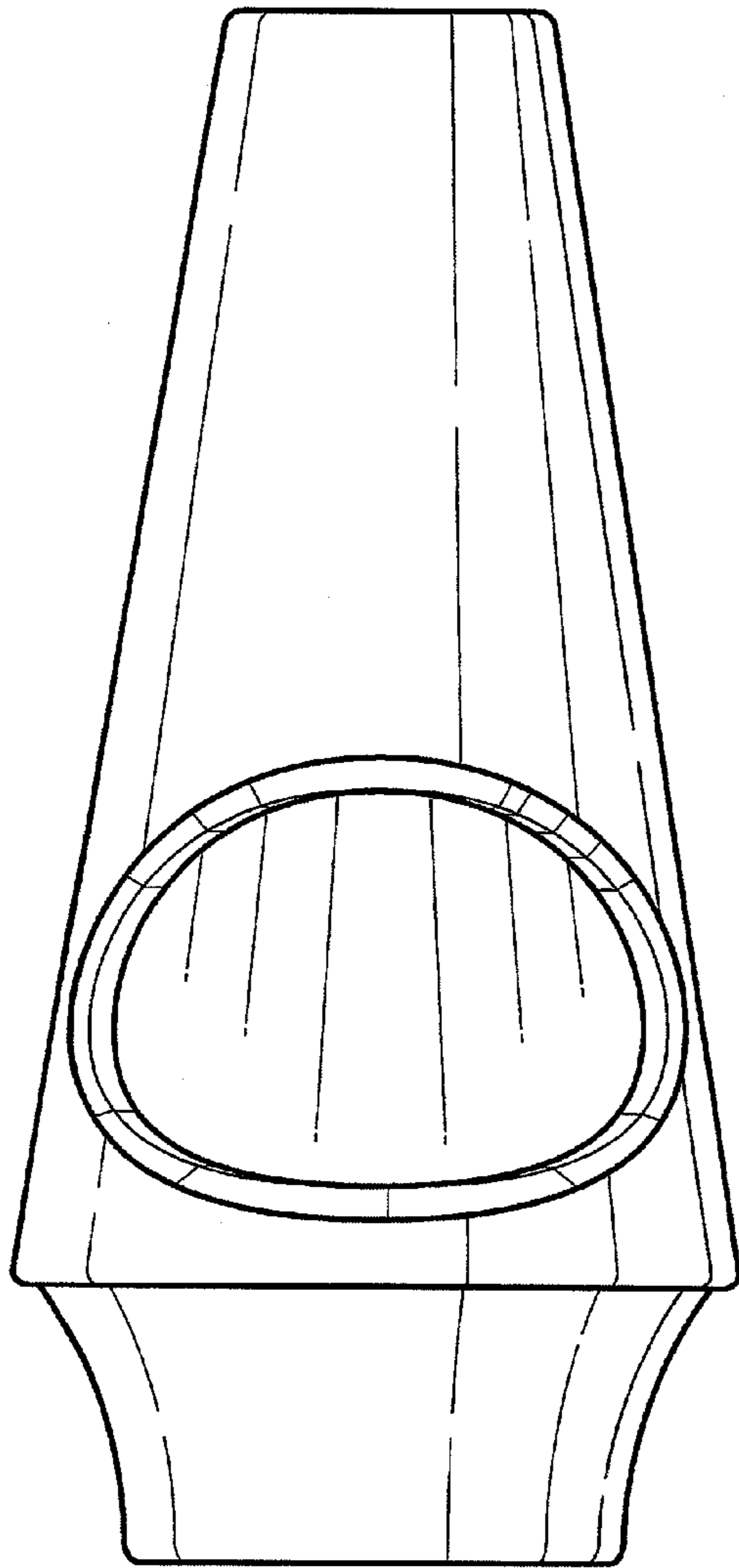
The broken line structure that is shown in FIG. 7 is for illustrative purposes only, and forms no part of the claimed design.

**1 Claim, 4 Drawing Sheets**

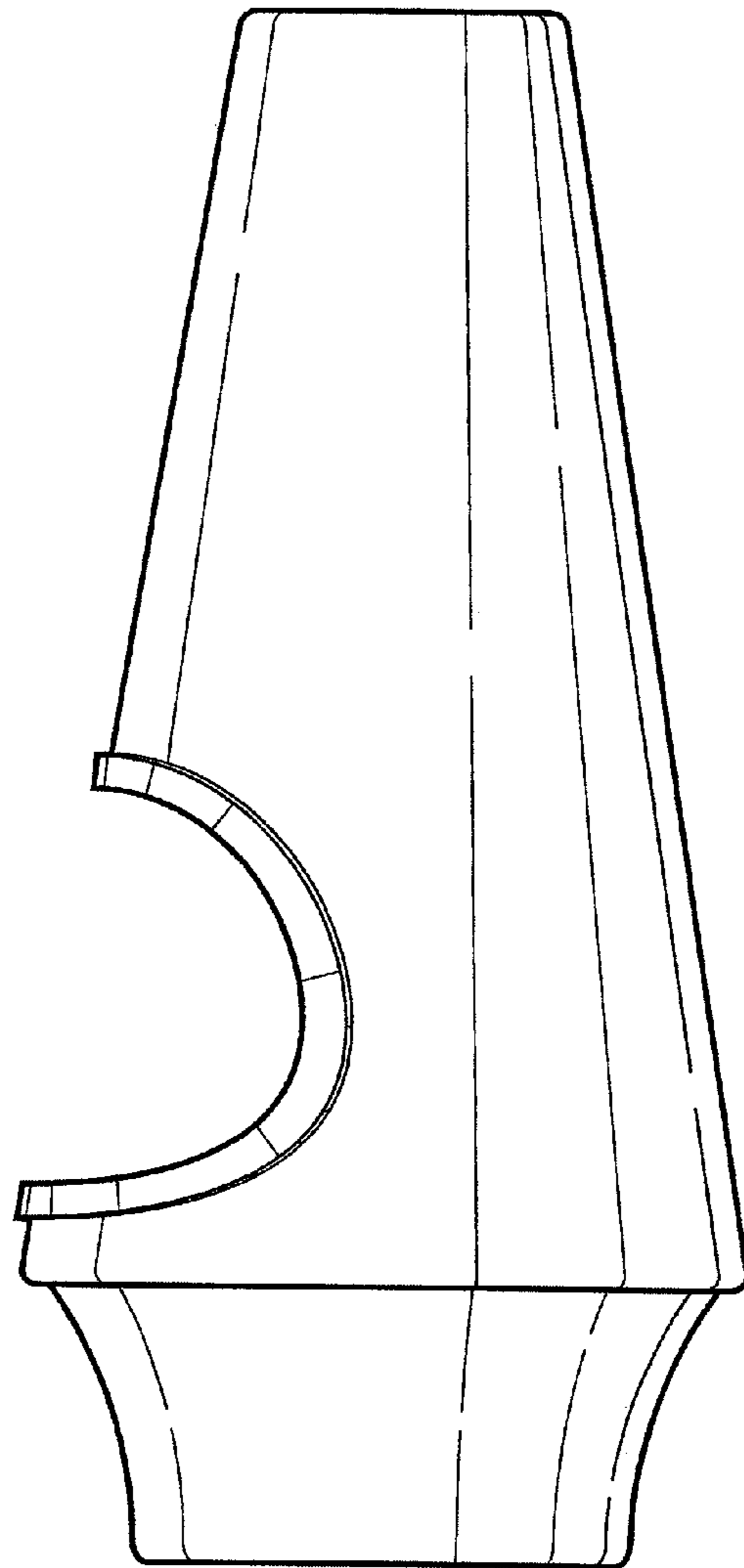


**FIG - 1**

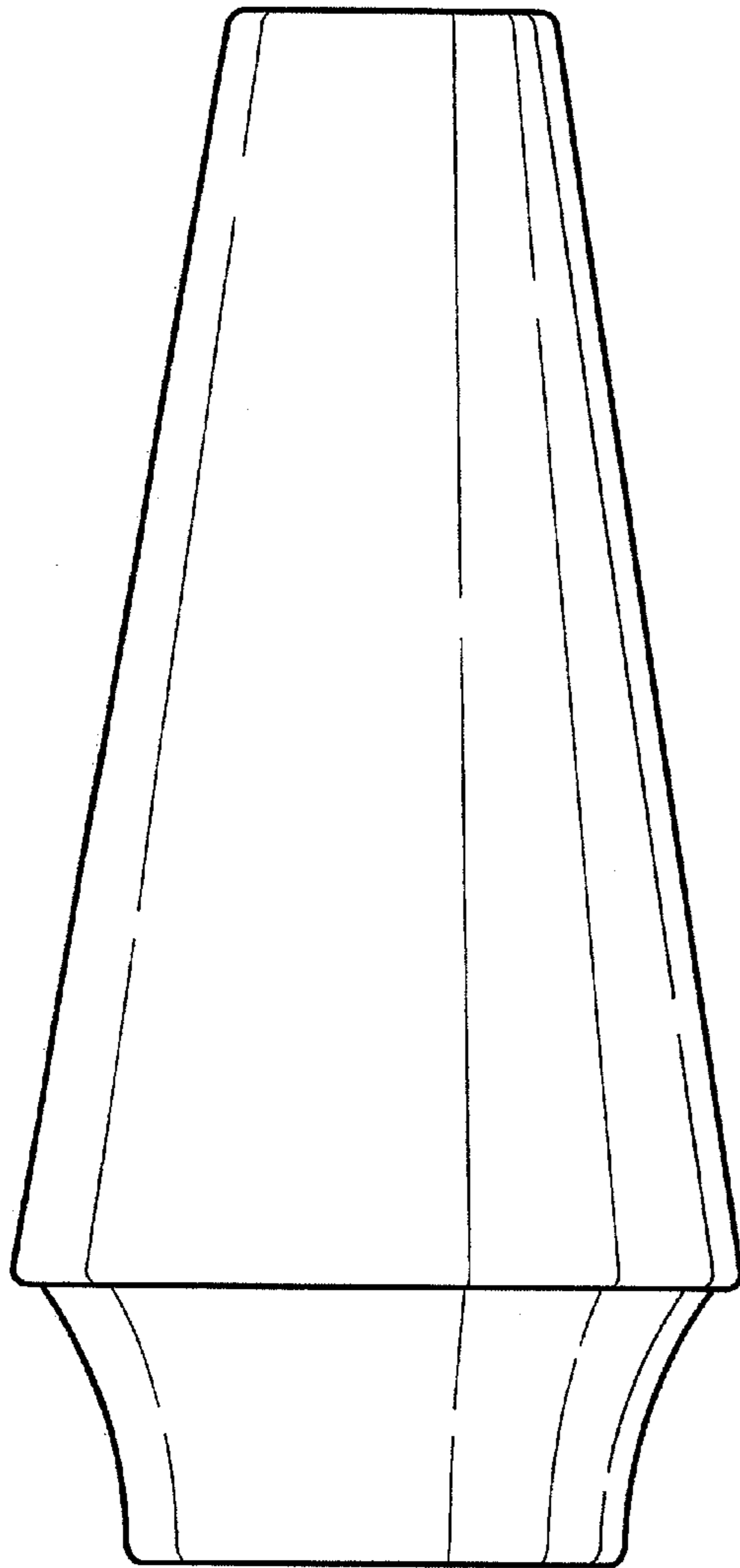




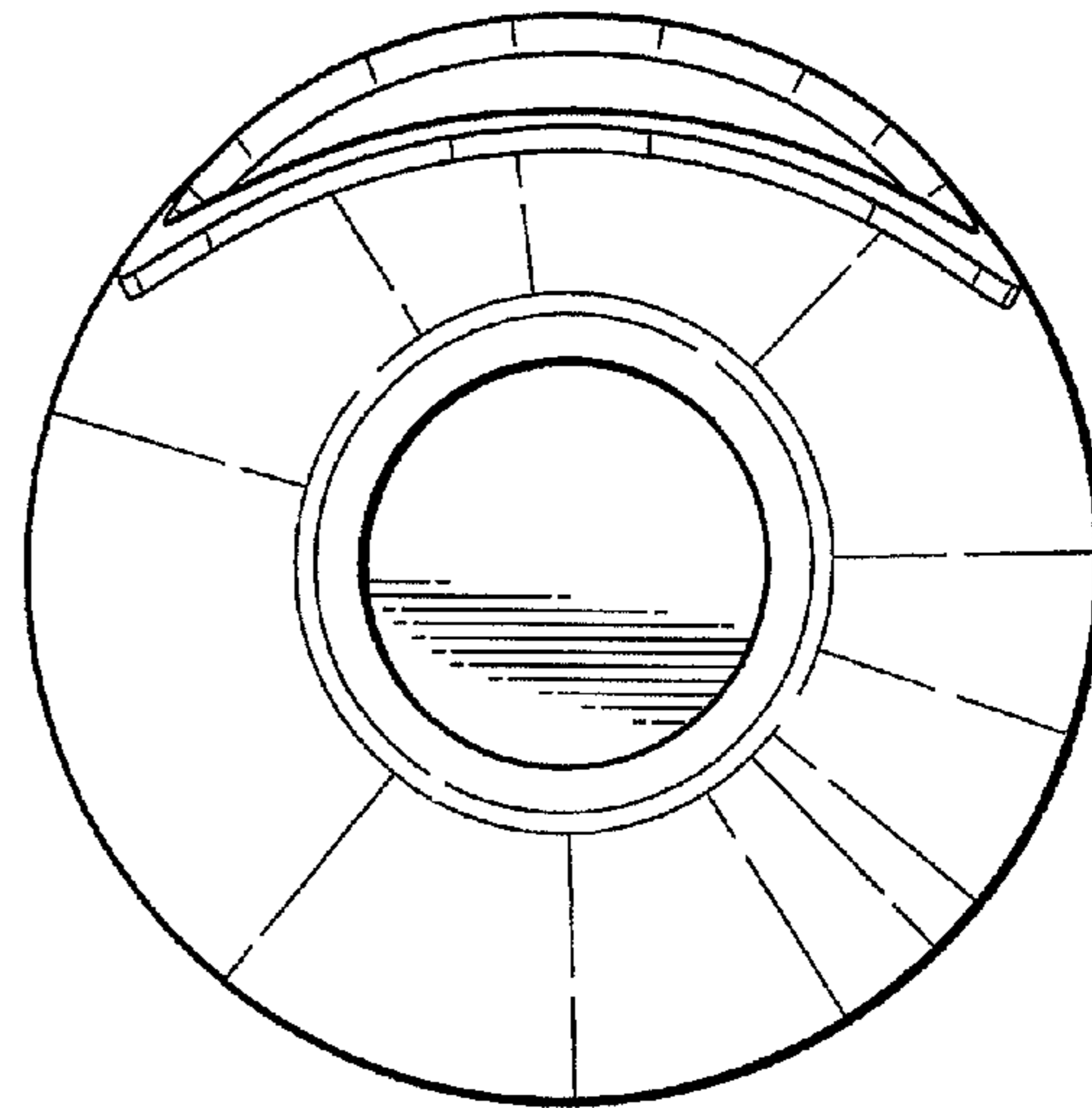
**FIG - 2**



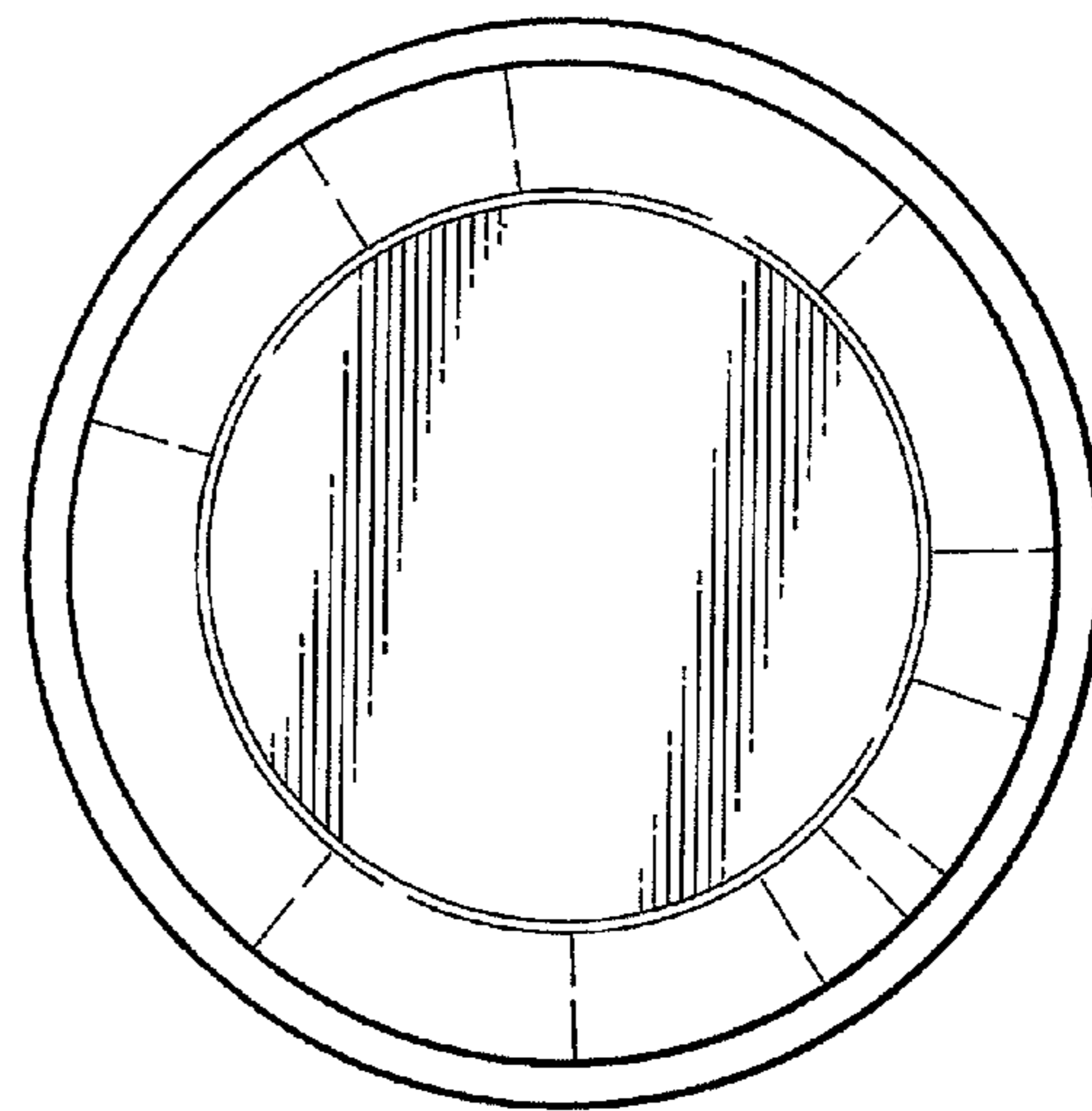
**FIG - 3**



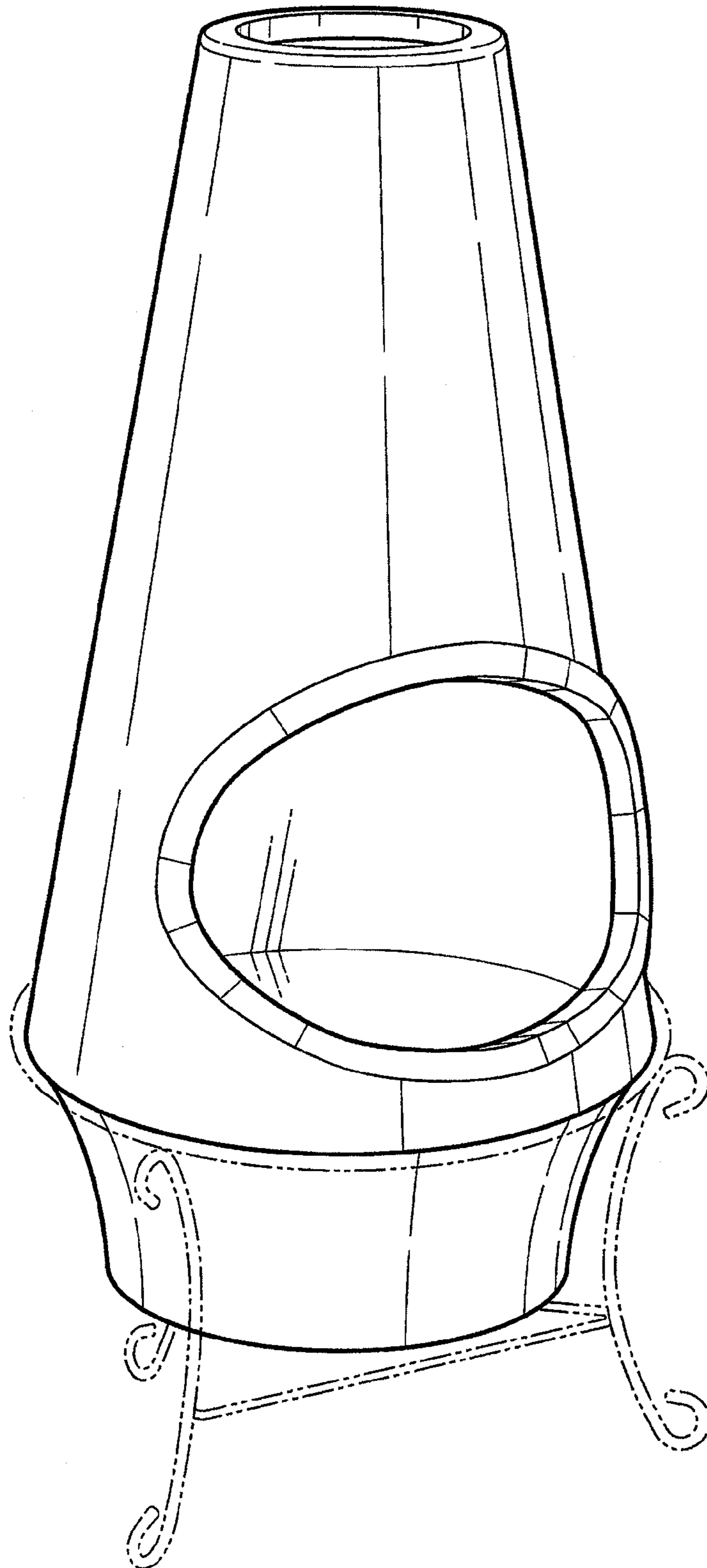
**FIG - 4**



**FIG - 5**



**FIG - 6**



**FIG - 7**