

US00D592563S

(12) **United States Design Patent**  
**Asakura et al.**

(10) **Patent No.:** **US D592,563 S**

(45) **Date of Patent:** **\*\* May 19, 2009**

(54) **FRONT GRILLE FOR AN AUTOMOBILE**

D579,829 S \* 11/2008 Hokao et al. .... D12/163  
D583,284 S \* 12/2008 Schell ..... D12/163

(75) Inventors: **Kentaro Asakura**, Kariya (JP); **Tetsu Endoh**, Kariya (JP)

**OTHER PUBLICATIONS**

(73) Assignee: **Toyota Jidosha Kabushiki Kaisha** (JP)

Mazda, Axela, Catalogue of Axela, Oct. 2003, Mazda.  
Toyota, Avanza, Catalogue of Avanza, Jul. 2006, Toyota.

(\*\*) Term: **14 Years**

\* cited by examiner

(21) Appl. No.: **29/322,051**

*Primary Examiner*—Melody N Brown

(22) Filed: **Jul. 29, 2008**

(74) *Attorney, Agent, or Firm*—Saidman DesignLaw Group

(51) **LOC (9) Cl.** ..... **12-16**

(52) **U.S. Cl.** ..... **D12/163**

(58) **Field of Classification Search** ..... D12/163,  
D12/171, 196, 216, 90-92, 86; 180/68.1,  
180/68.6; 296/193.11

See application file for complete search history.

(57) **CLAIM**

The ornamental design for a front grille for an automobile, as shown and described.

(56) **References Cited**

**DESCRIPTION**

**U.S. PATENT DOCUMENTS**

D518,422 S \* 4/2006 Nakamura ..... D12/163  
D534,104 S \* 12/2006 Miyata et al. .... D12/163  
D562,192 S \* 2/2008 Kushima et al. .... D12/163  
D565,480 S \* 4/2008 McMahan ..... D12/163  
D567,723 S \* 4/2008 Saito ..... D12/163  
D575,689 S \* 8/2008 Chang et al. .... D12/163

FIG. 1 is a perspective view of a front grille for an automobile showing our new design;

FIG. 2 is a front view thereof;

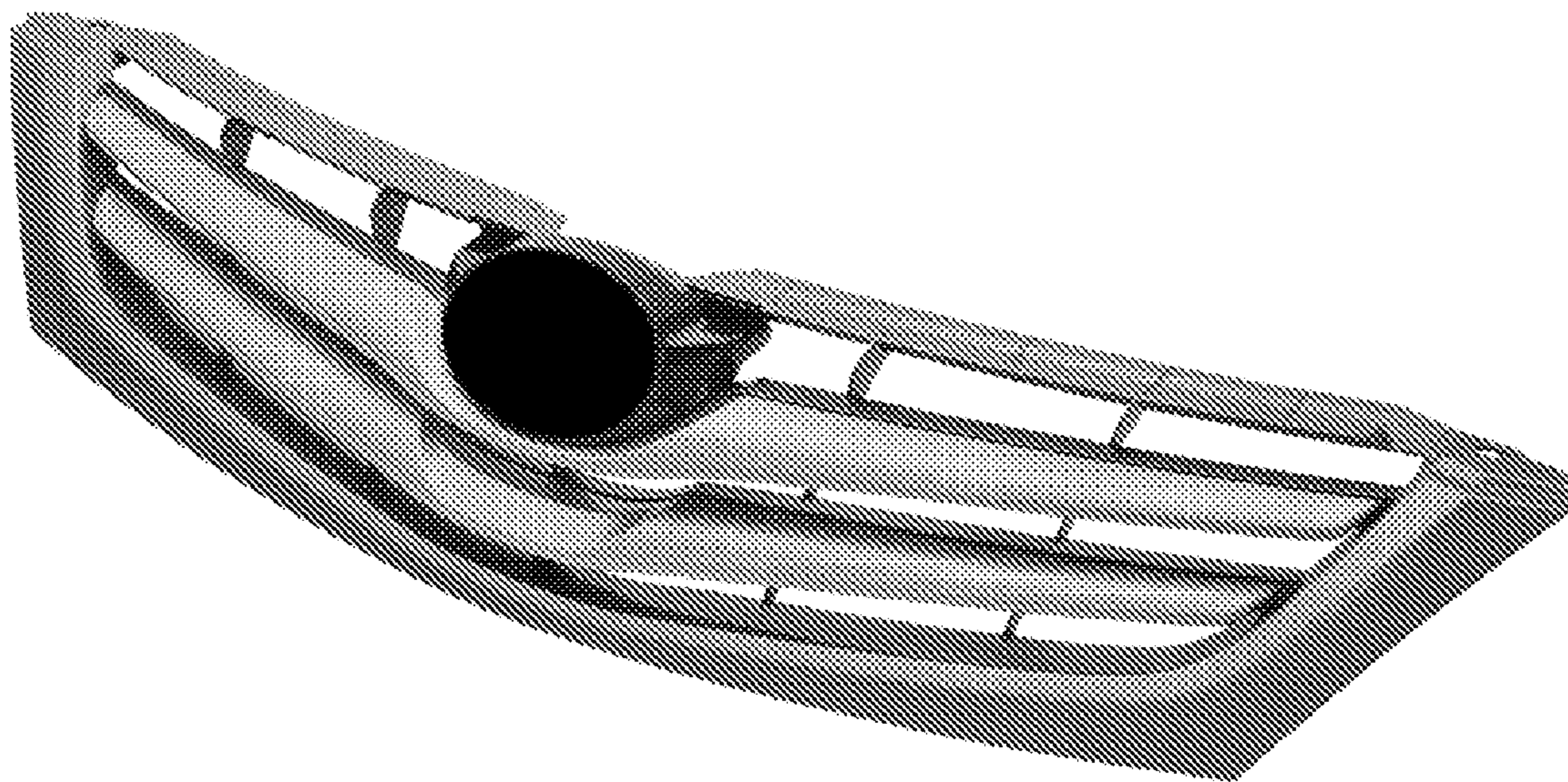
FIG. 3 is a top view thereof;

FIG. 4 is a bottom view thereof;

FIG. 5 is a right-side view thereof; and,

FIG. 6 is a left-side view thereof.

**1 Claim, 2 Drawing Sheets**



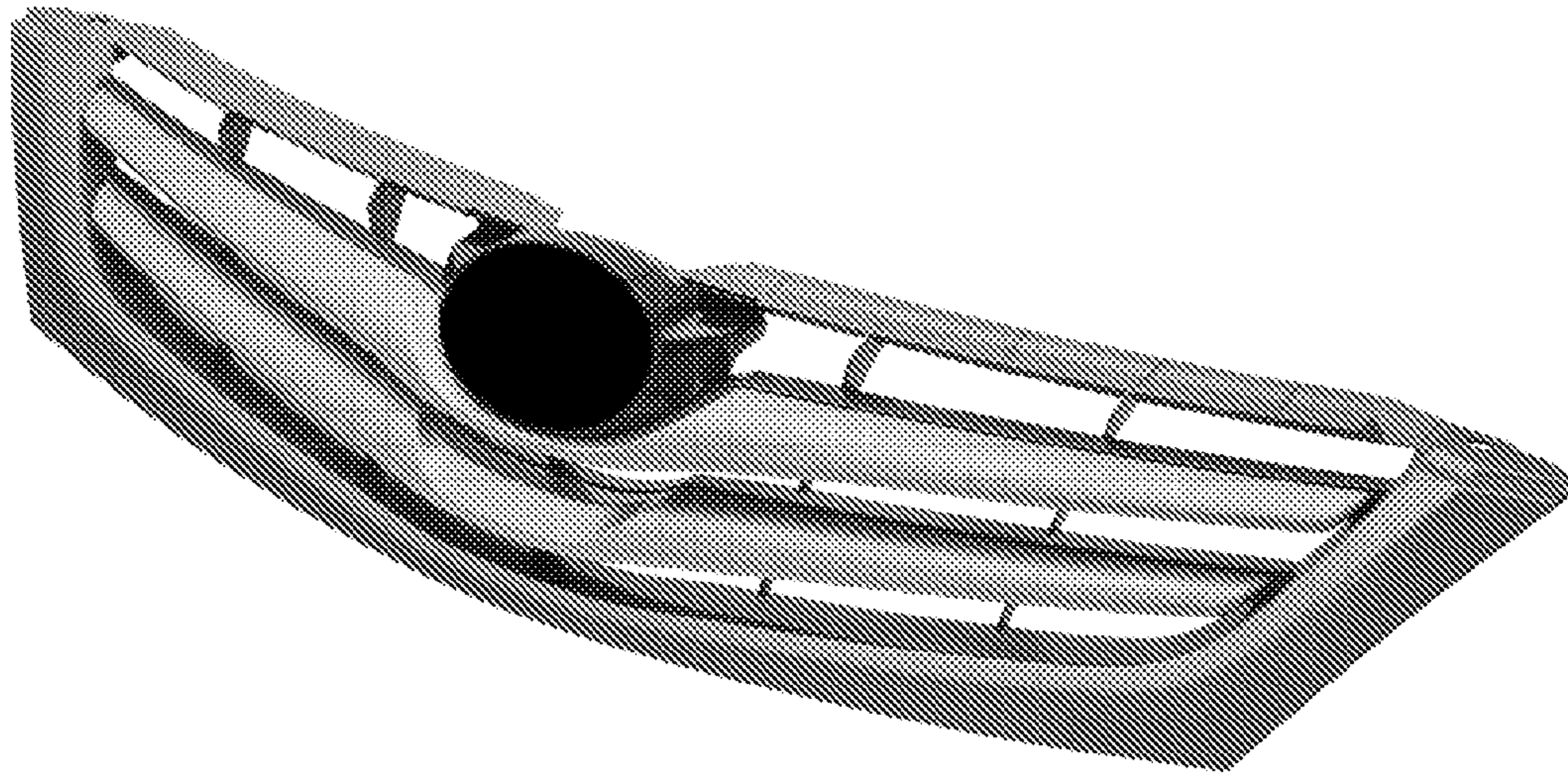


FIG. 1

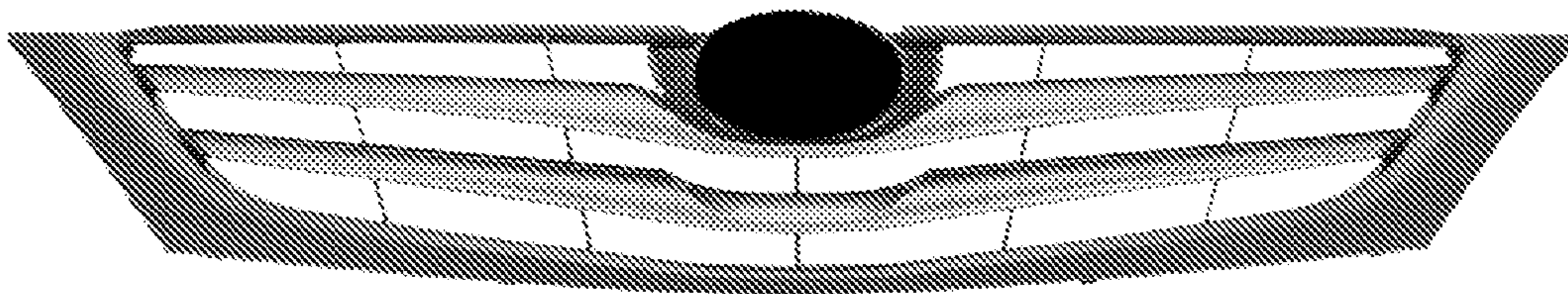


FIG. 2



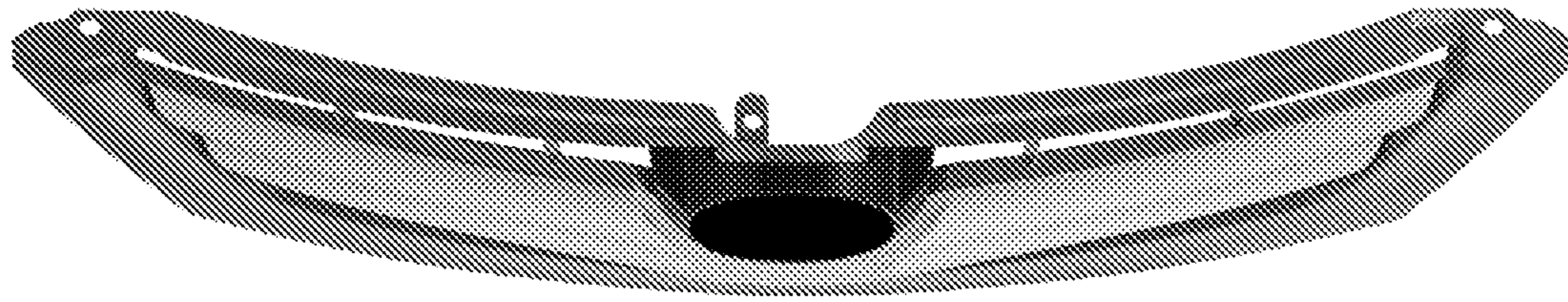


FIG. 3

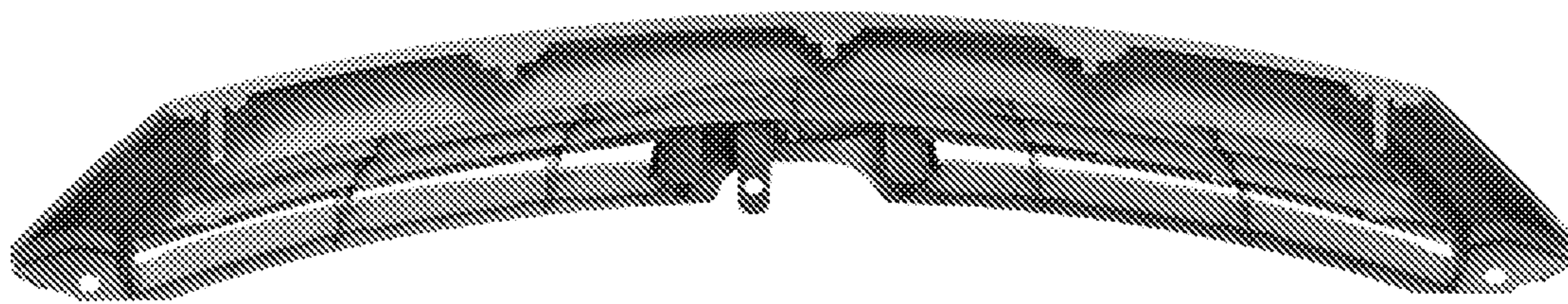


FIG. 4

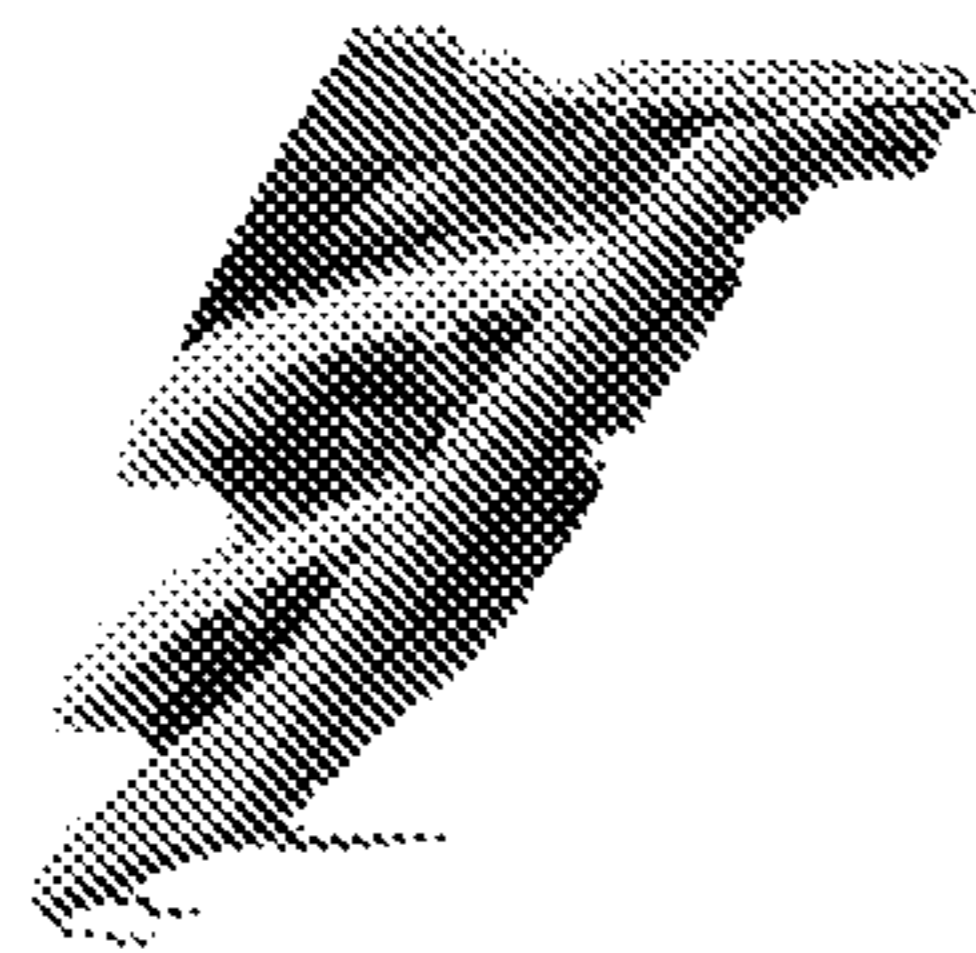


FIG. 5

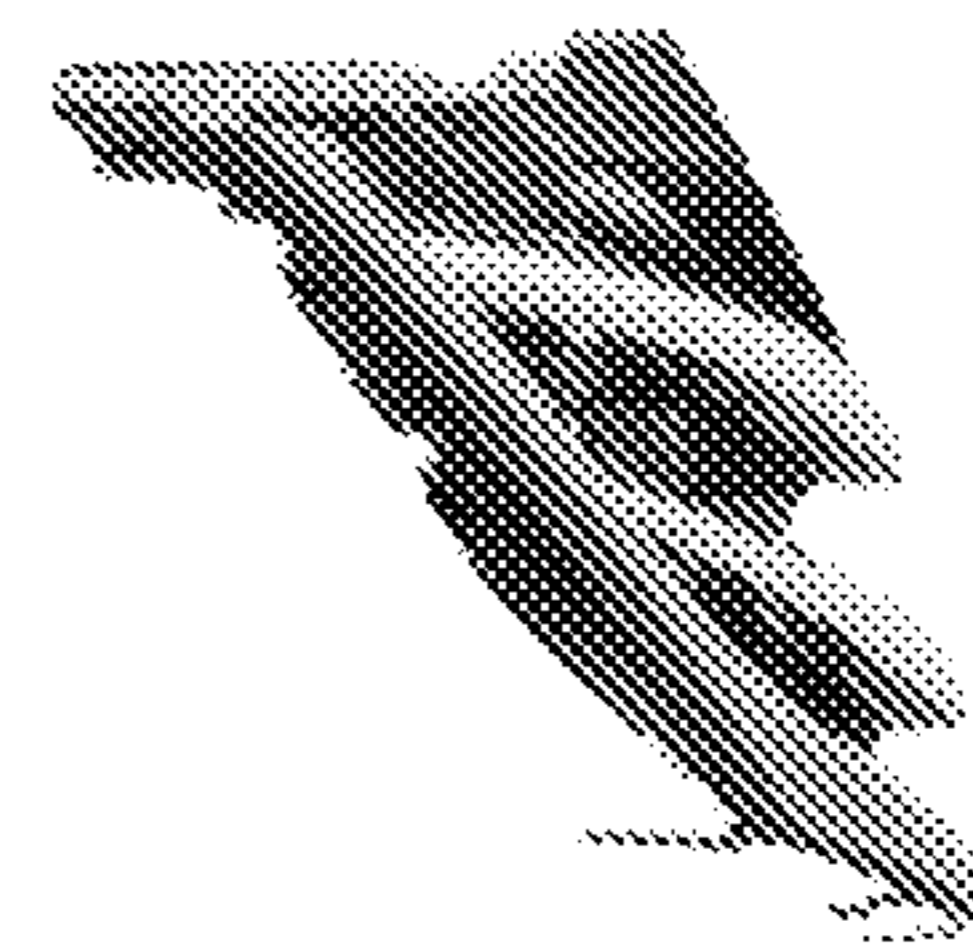


FIG. 6