



US00D592559S

(12) **United States Design Patent**
McGarry

(10) **Patent No.:** **US D592,559 S**

(45) **Date of Patent:** **** May 19, 2009**

(54) **BRAKE DISC GUARD FOR A MOTORCYCLE**

(75) Inventor: **Timothy McGarry**, Phoenix, OR (US)

(73) Assignee: **T.M. Designworks, LLC**, Phoenix, OR (US)

(**) Term: **14 Years**

(21) Appl. No.: **29/318,664**

(22) Filed: **May 23, 2008**

(51) **LOC (9) Cl.** **12-11**

(52) **U.S. Cl.** **D12/126**

(58) **Field of Classification Search** D12/110,
D12/114, 126, 179, 180; 280/288.4, 304.3,
280/160.1, 152.1-152.3, 152.05; 188/24.11-24.22,
188/344, 218 XL, 218 A; 180/219
See application file for complete search history.

(56) **References Cited**

U.S. PATENT DOCUMENTS

- 4,744,606 A * 5/1988 Yoshida 280/288.4 X
- 4,967,867 A * 11/1990 Fuller 180/219
- D339,554 S * 9/1993 Davidson D12/126
- 5,881,835 A * 3/1999 Lucht et al. 180/219
- D443,238 S * 6/2001 Carlson D12/179
- 6,626,272 B2 * 9/2003 Frouin 188/218 A

OTHER PUBLICATIONS

- Honda & Kawasaki Rear Brake Disc Guard, 3 Pages, Jan., 2000 (approximately).
- Yamaha Rear Brake Disc Guard, 3 Pages, Jan., 2006 (approximately).

* cited by examiner

Primary Examiner—Robin V Webster

Assistant Examiner—Linda Brooks

(74) *Attorney, Agent, or Firm*—Alleman Hall McCoy Russell & Tuttle LLP

(57) **CLAIM**

The ornamental design for a brake disc guard for a motorcycle, as shown and described.

DESCRIPTION

FIG. 1 is a rear perspective view of a brake disc guard for a motorcycle according to the present invention.

FIG. 2 is a left side view of the brake disc guard for a motorcycle of FIG. 1.

FIG. 3 is a right side view of the brake disc guard for a motorcycle of FIG. 1.

FIG. 4 is a bottom view of the brake disc guard for a motorcycle of FIG. 1.

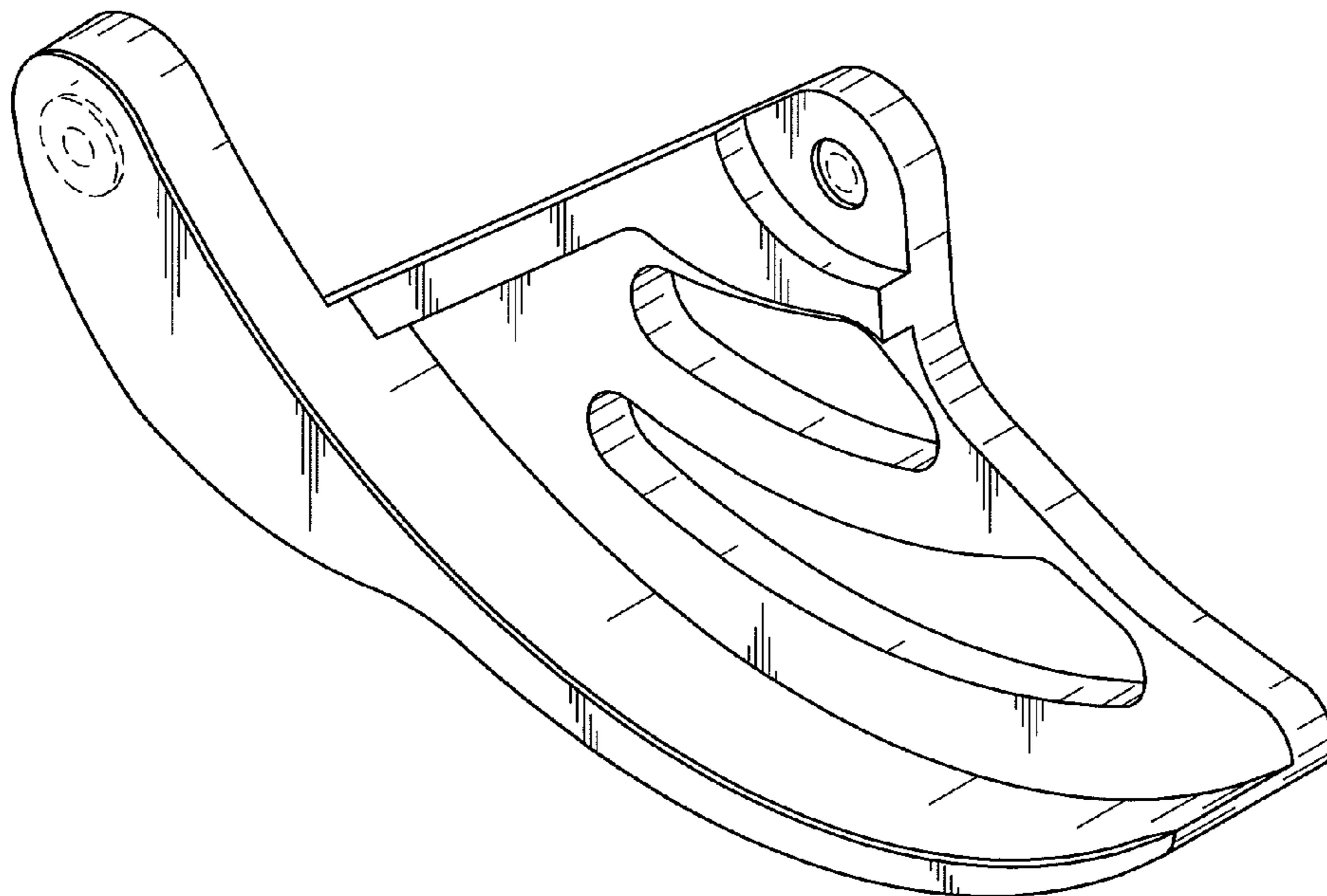
FIG. 5 is a top view of the brake disc guard for a motorcycle of FIG. 1.

FIG. 6 is a front view of the brake disc guard for a motorcycle of FIG. 1; and,

FIG. 7 is a rear view of the brake disc guard for a motorcycle of FIG. 1.

The dashed lines illustrate environment and form no part of the claimed design.

1 Claim, 3 Drawing Sheets



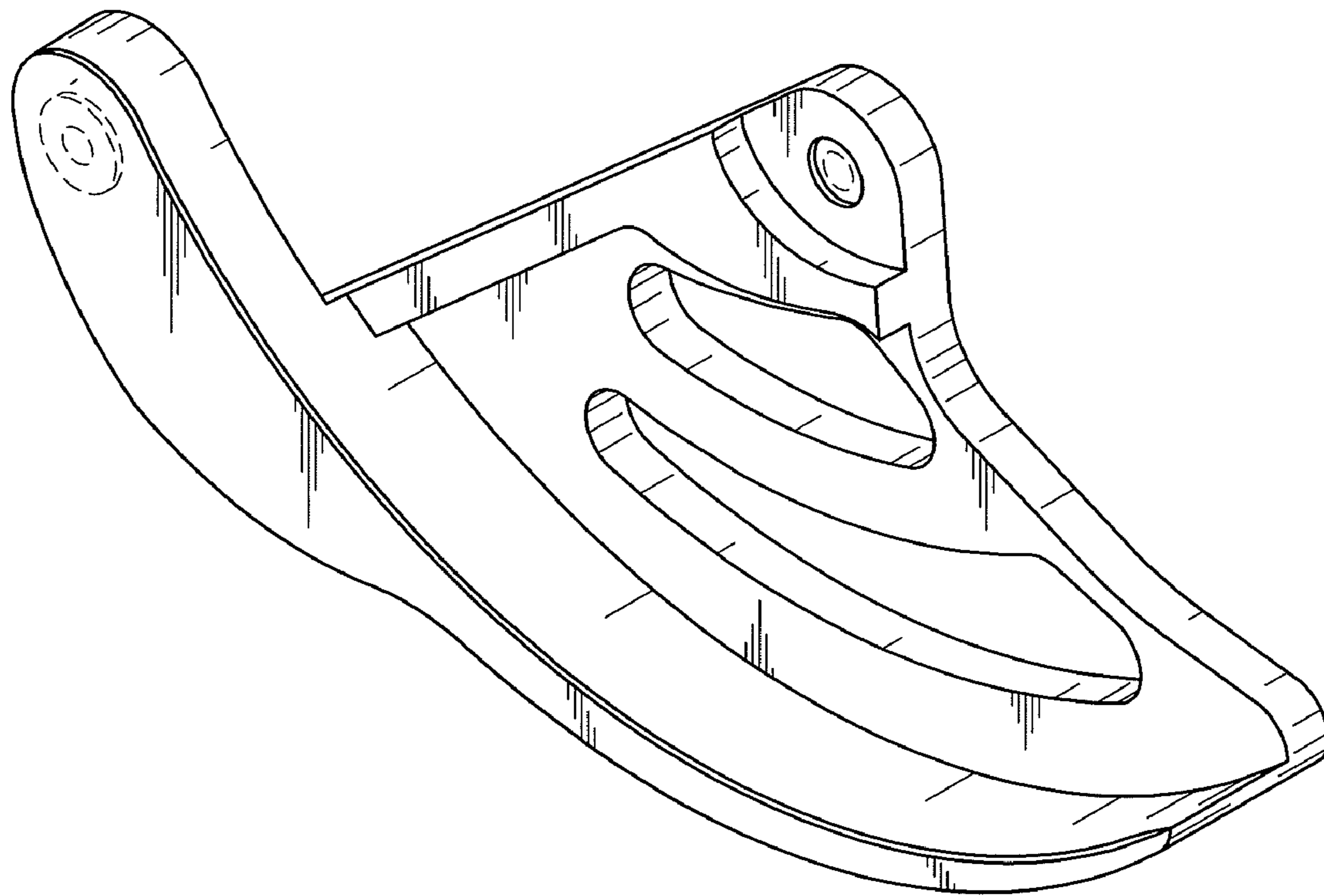


FIG. 1

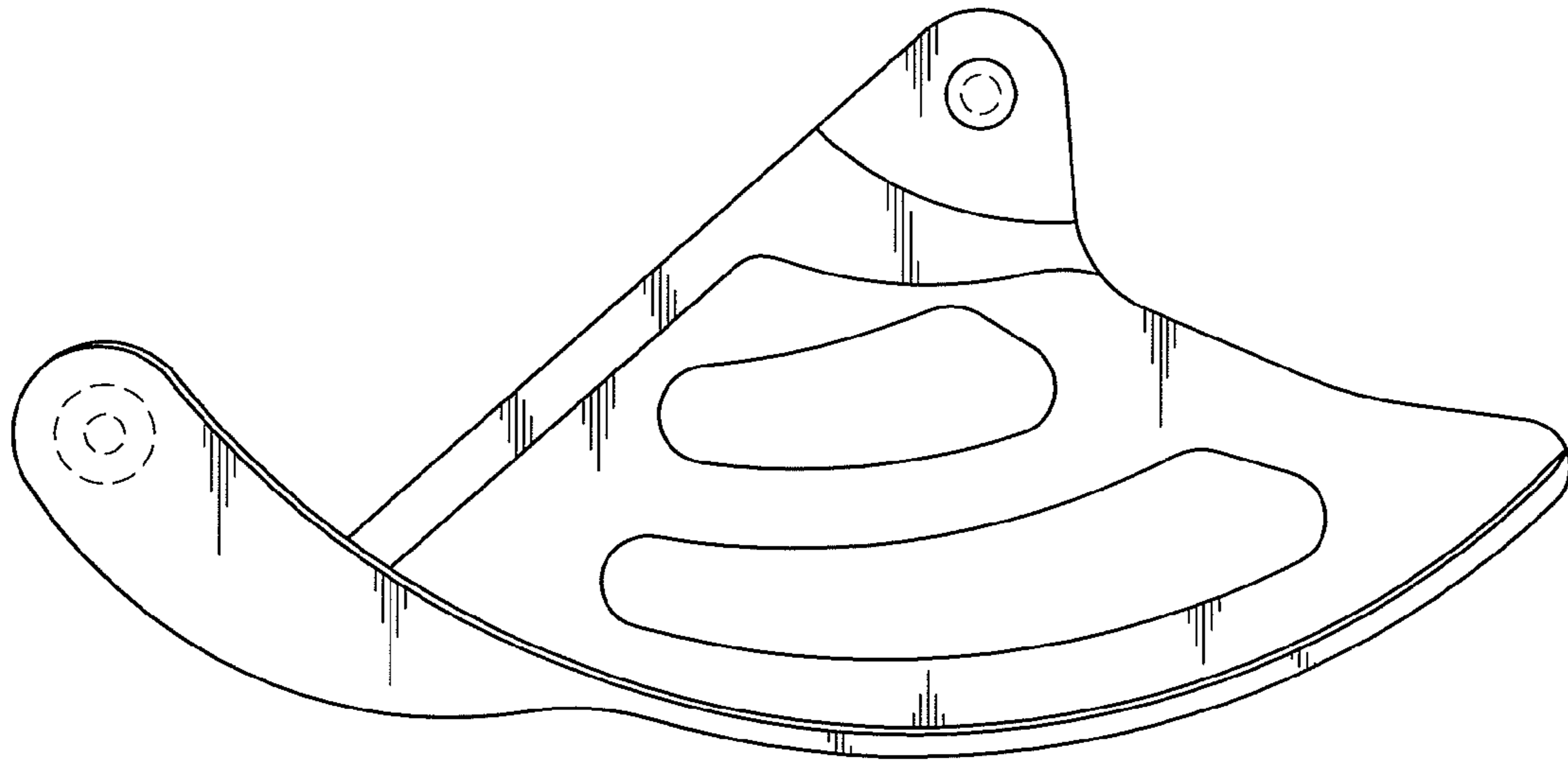


FIG. 2

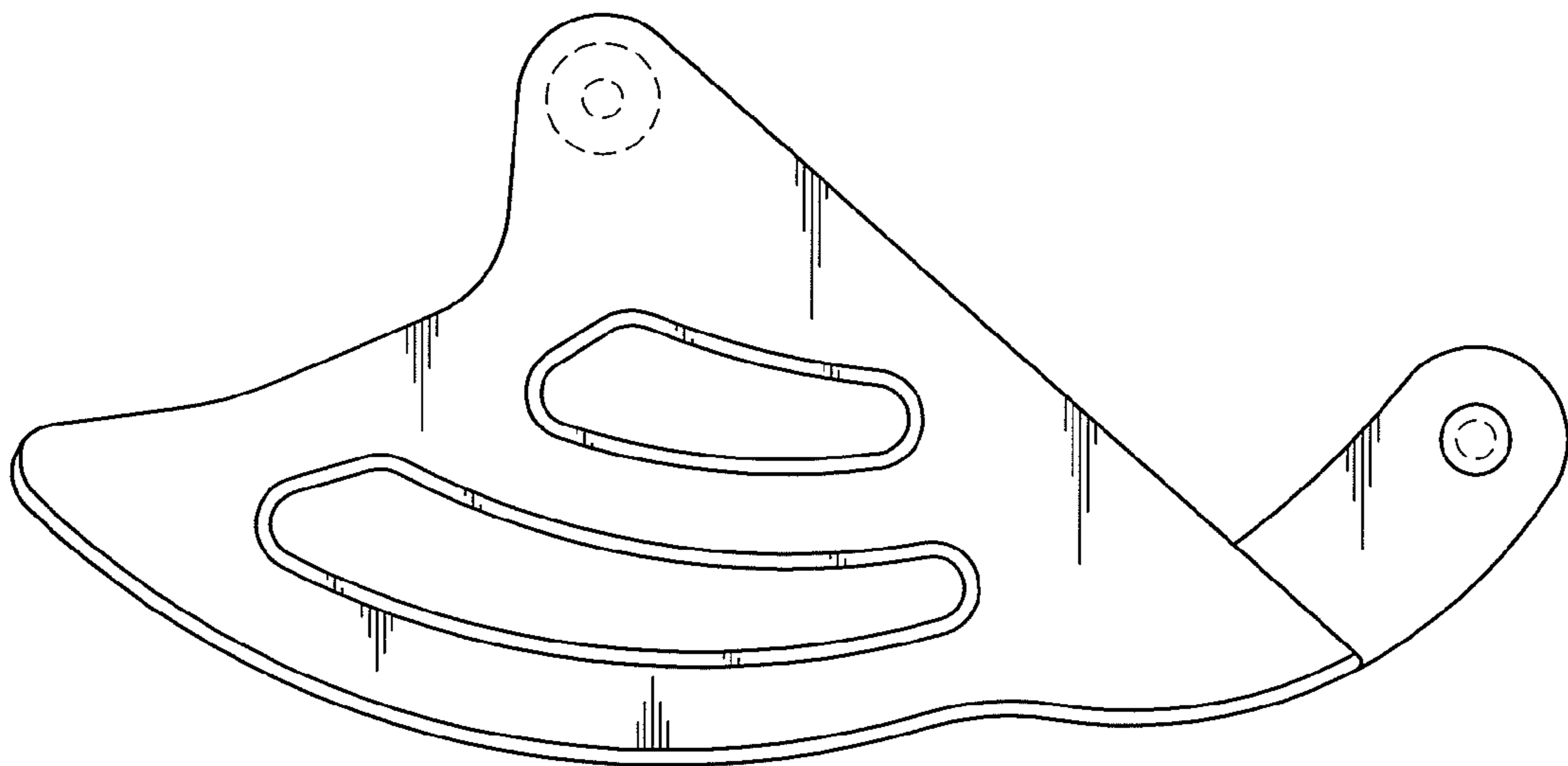


FIG. 3

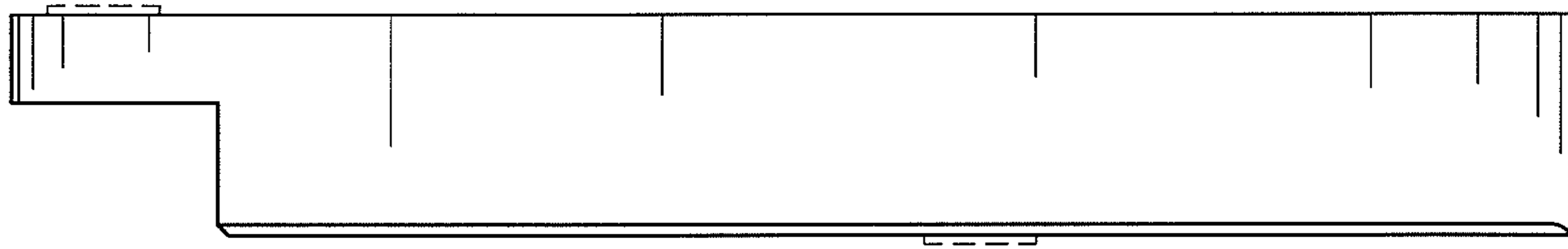


FIG. 4

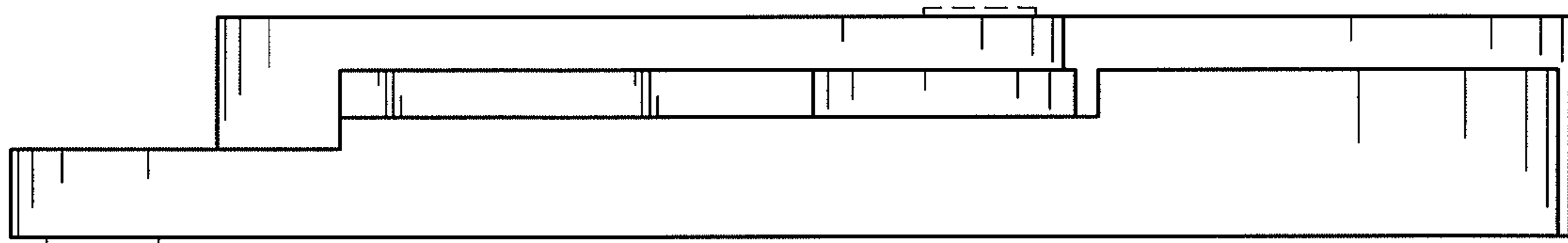


FIG. 5

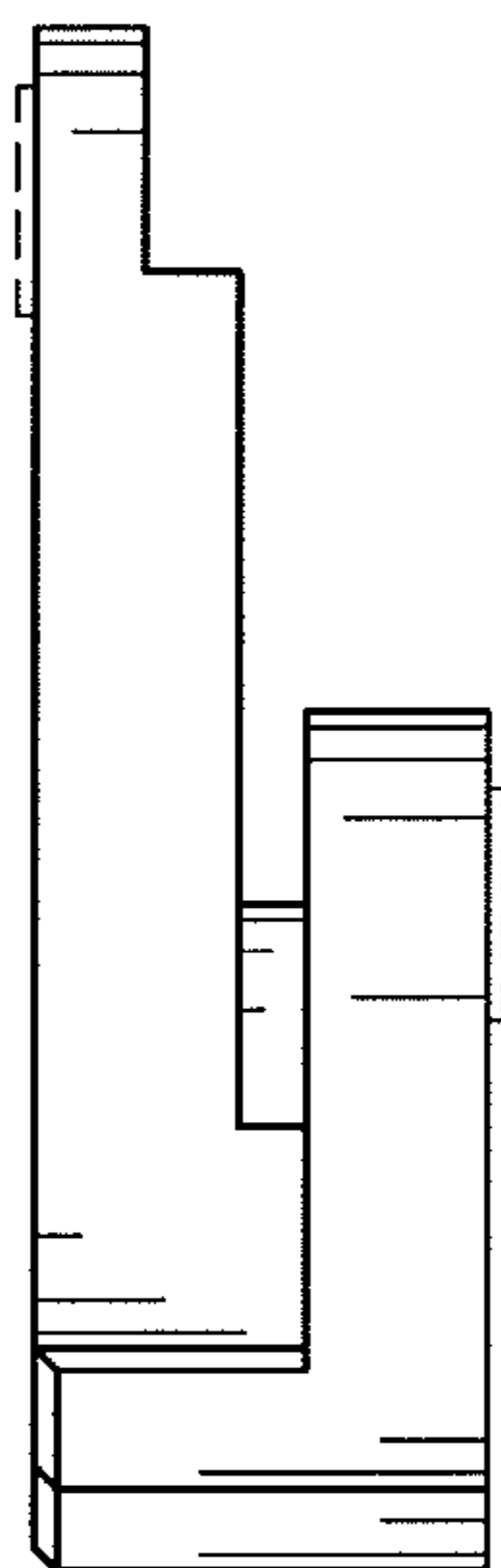


FIG. 6

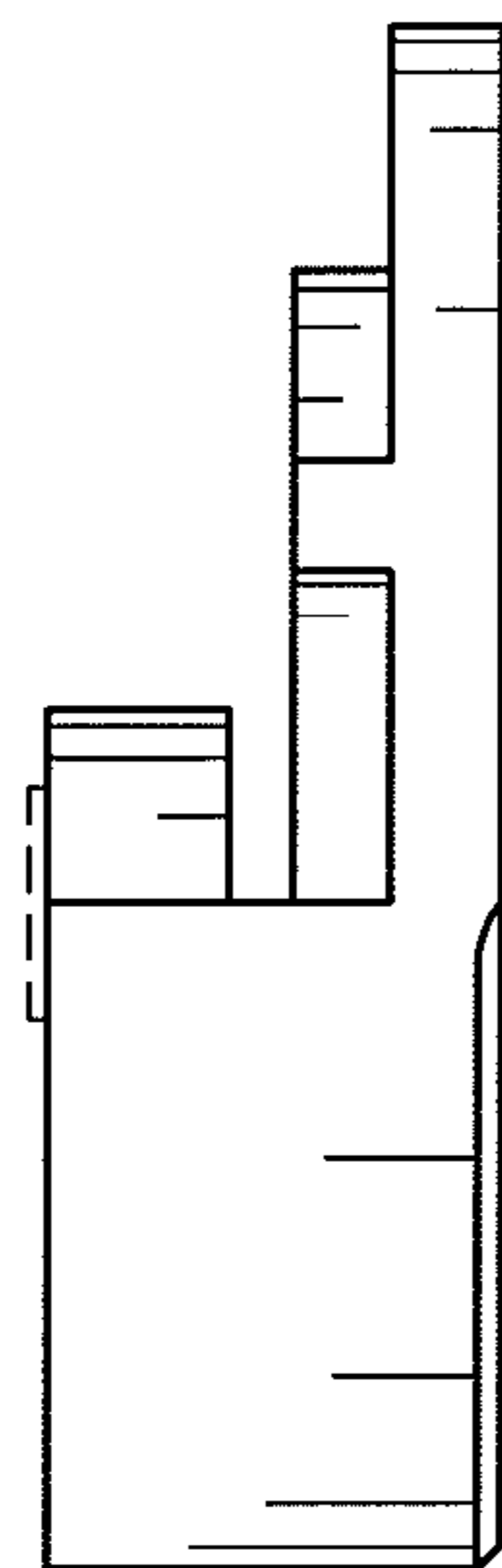


FIG. 7