



US00D592557S

(12) **United States Design Patent**
Mehra

(10) **Patent No.:** **US D592,557 S**

(45) **Date of Patent:** **** *May 19, 2009**

(54) **ALL-TERRAIN VEHICLE**

(75) Inventor: **Rajinder Mehra**, Johanneshov (SE)

(73) Assignee: **Husqvarna AB**, Huskvarna (SE)

(*) Notice: This patent is subject to a terminal disclaimer.

(**) Term: **14 Years**

(21) Appl. No.: **29/299,523**

(22) Filed: **Dec. 28, 2007**

(30) **Foreign Application Priority Data**

Jul. 3, 2007 (EM) 000751201

(51) **LOC (9) Cl.** **12-11**

(52) **U.S. Cl.** **D12/107**

(58) **Field of Classification Search** D12/3,
D12/86, 87, 107, 110; 180/225, 229, 233,
180/311, 312

See application file for complete search history.

(56) **References Cited**

U.S. PATENT DOCUMENTS

4,497,220	A	2/1985	Grinde
4,561,518	A	12/1985	Grinde
4,650,029	A	3/1987	Foote et al.
6,076,624	A	6/2000	Izumi et al.
6,086,492	A	7/2000	Nakano et al.
6,155,371	A	12/2000	Izumi
6,164,673	A	12/2000	Matsuura
6,250,415	B1	6/2001	Seto
6,286,619	B1	9/2001	Uchiyama et al.
6,398,683	B1	6/2002	Fukuda

6,446,748	B1	9/2002	Suzuki
6,454,039	B1	9/2002	Matsuura
6,454,040	B1	9/2002	Fukuda
6,478,103	B1	11/2002	Matsuura
6,499,553	B2	12/2002	Suzuki
6,523,627	B2	2/2003	Fukuda
6,533,055	B2	3/2003	Matsuura et al.
6,533,060	B1	3/2003	Seto

(Continued)

FOREIGN PATENT DOCUMENTS

CA 2411256 A1 11/2002

(Continued)

Primary Examiner—Cathron C Brooks

Assistant Examiner—Linda Brooks

(74) *Attorney, Agent, or Firm*—Pearne & Gordon LLP

(57) **CLAIM**

The ornamental design for an all-terrain vehicle, as shown and described.

DESCRIPTION

FIG. 1 is a first side elevation view of a new design of an all-terrain vehicle;

FIG. 2 is a second side elevation view of the all-terrain vehicle;

FIG. 3 is a top view of the all-terrain vehicle;

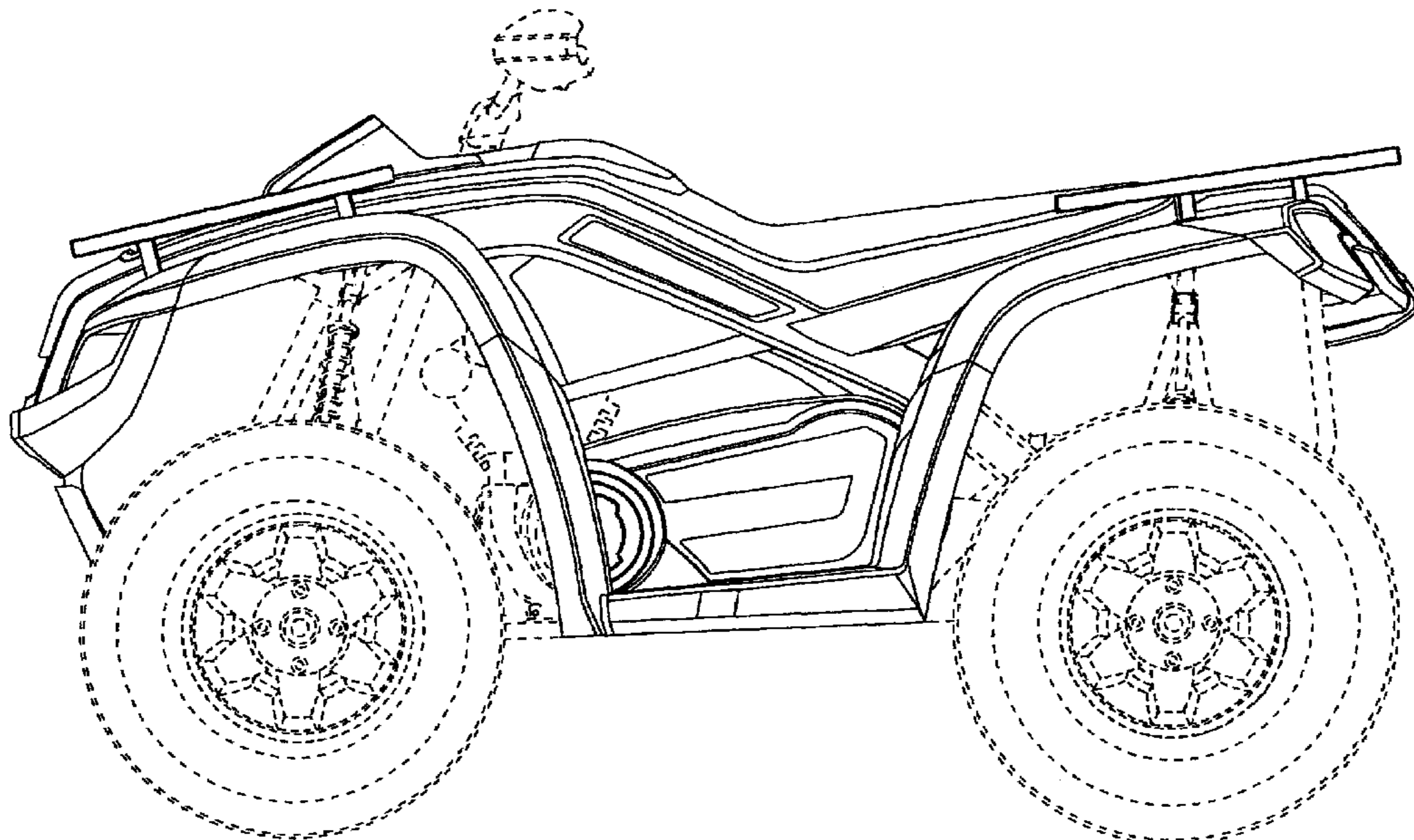
FIG. 4 is a front view of the all-terrain vehicle;

FIG. 5 is a rear view of the all-terrain vehicle; and,

FIG. 6 is a perspective view of the all-terrain vehicle.

The portions shown in broken lines form no part of the claimed design.

1 Claim, 6 Drawing Sheets



US D592,557 S

Page 2

U.S. PATENT DOCUMENTS

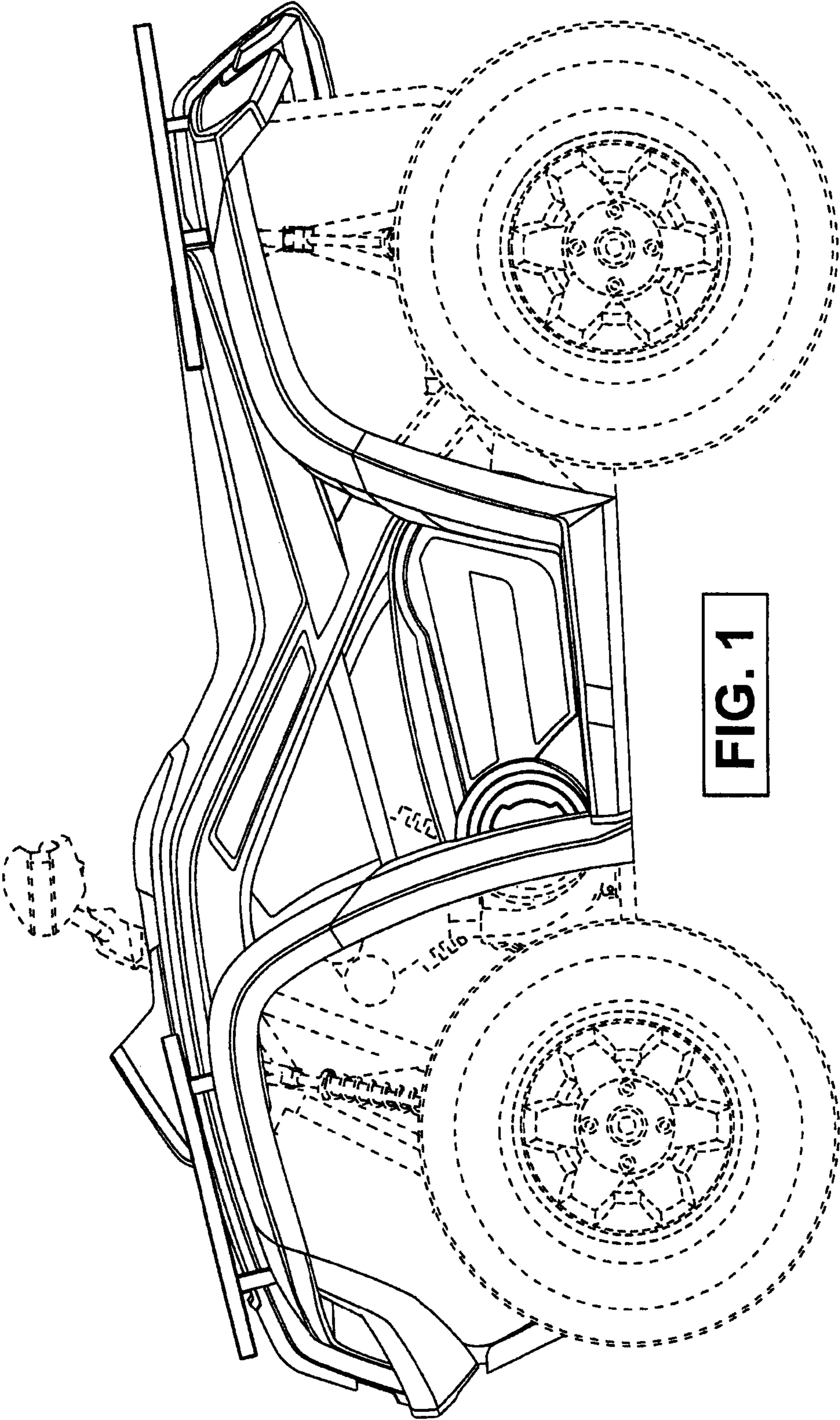
6,571,904 B2 6/2003 Izumi
6,581,716 B1 6/2003 Matsuura
6,622,806 B1 9/2003 Matsuura
6,725,962 B1 4/2004 Fukuda
6,820,712 B2 11/2004 Nakamura
6,823,956 B2 11/2004 Shimizu
6,823,960 B2 11/2004 Shimizu et al.
6,837,330 B2 1/2005 Suzuki
6,848,531 B2 2/2005 Izumi et al.
6,966,399 B2 11/2005 Tanigaki et al.
D516,467 S * 3/2006 Wu D12/107
D520,912 S * 5/2006 Knight et al. D12/107
D520,914 S * 5/2006 Luh D12/107
D522,924 S * 6/2006 Yokoyama et al. D12/107
7,070,019 B2 7/2006 Takamoto et al.
D529,414 S * 10/2006 Wu et al. D12/107
D542,186 S * 5/2007 Lai et al. D12/107
2002/0023792 A1 2/2002 Bouffard et al.
2002/0024192 A1 2/2002 Rasidescu et al.
2002/0047257 A1 4/2002 Rondeau et al.
2002/0063010 A1 5/2002 Morin
2002/0074820 A1 6/2002 Gagne
2002/0088661 A1 7/2002 Gagnon et al.
2002/0117843 A1 8/2002 Rasidescu et al.
2003/0085087 A1 5/2003 Lemieux
2003/0102694 A1 6/2003 Rondeau et al.
2003/0213628 A1 11/2003 Rioux et al.
2003/0221893 A1 12/2003 Korenjak
2004/0080923 A1 4/2004 Janisch

2004/0089511 A1 5/2004 Bergman
2004/0090031 A1 5/2004 Bergman
2004/0169388 A1 9/2004 Bettin et al.
2004/0256853 A1 12/2004 Mercier et al.
2005/0043128 A1 2/2005 Zulawski
2005/0247506 A1 11/2005 Rondeau et al.
2005/0247507 A1 11/2005 Fecteau et al.
2006/0006623 A1 1/2006 Leclair
2006/0131827 A1 6/2006 Benedict et al.
2006/0180372 A1 8/2006 Mercier et al.

FOREIGN PATENT DOCUMENTS

CA 2411260 A1 11/2002
CA 2444314 A1 10/2003
CA 2458960 A1 3/2004
CA 2458971 A1 3/2004
CA 2493455 A1 1/2005
DE 60120600D 7/2006
EP 1151913 A1 11/2001
EP 1371599 A2 12/2003
EP 1418364 A1 5/2004
EP 1475264 A2 11/2004
EP 1510730 A1 3/2005
EP 1541851 A1 6/2005
EP 1669270 A2 6/2006
EP 1688638 A2 8/2006
WO 2003042026 A1 5/2003
WO 2003053769 A1 7/2003
WO 2003071162 A1 8/2003

* cited by examiner



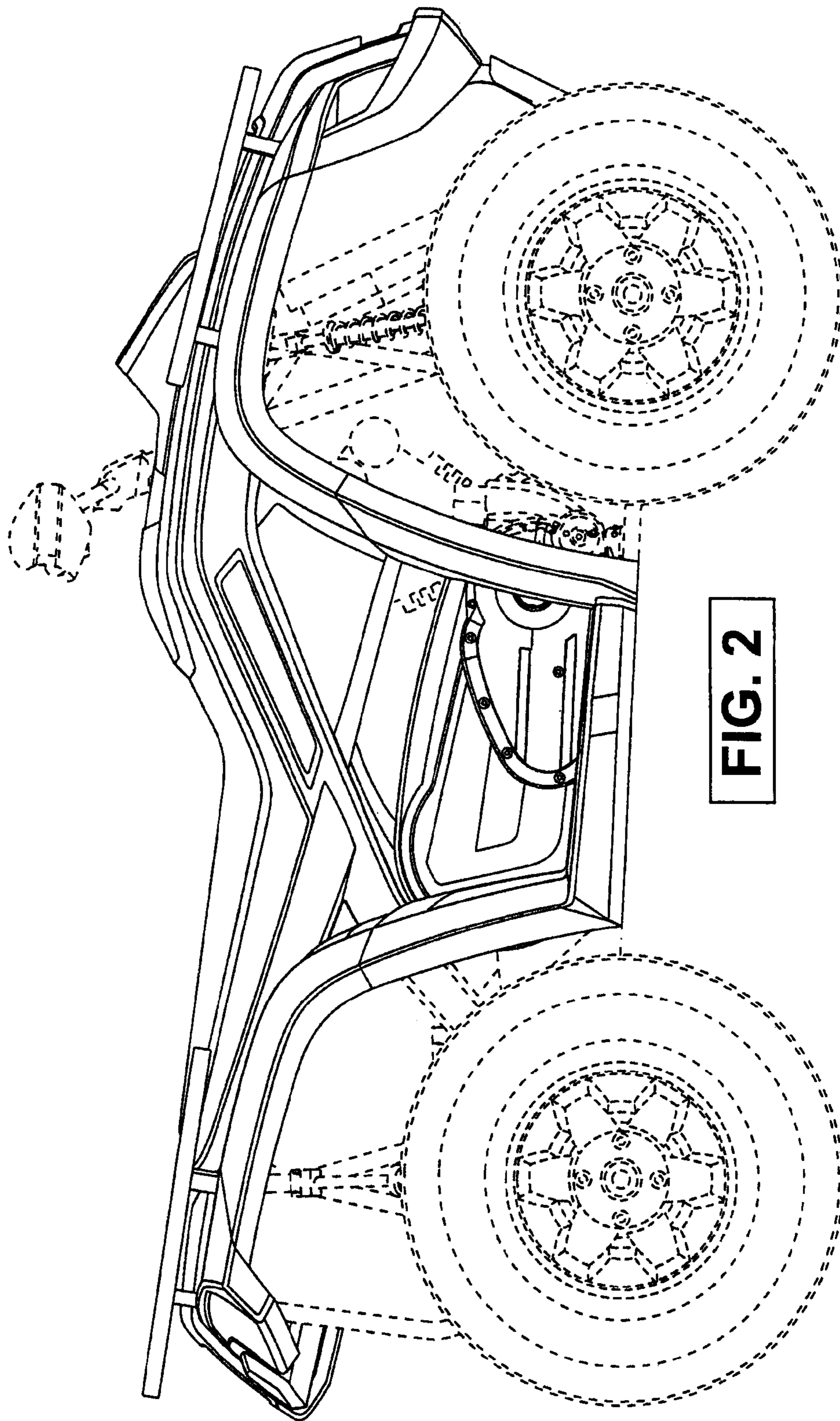


FIG. 2

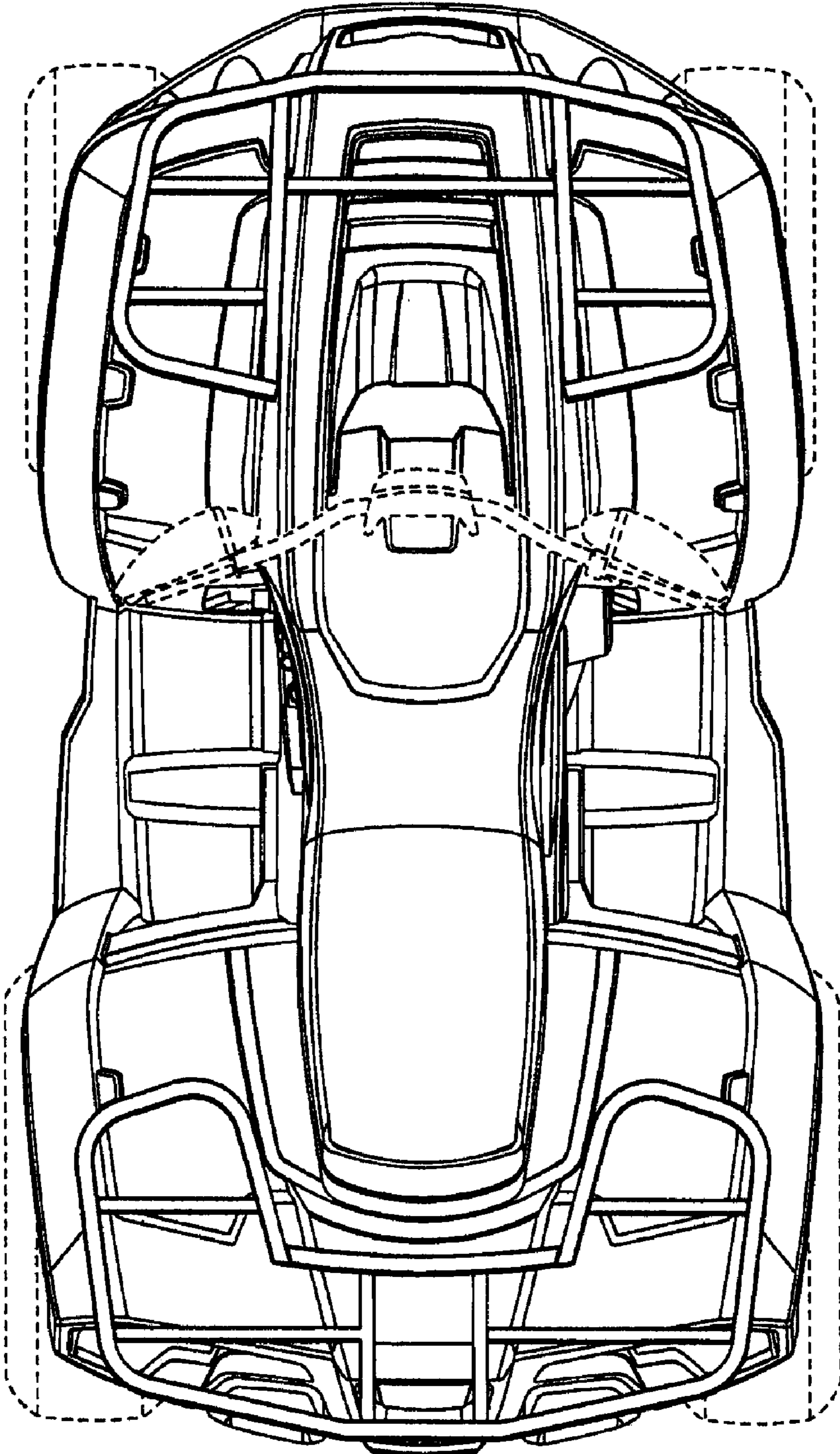


FIG. 3

FIG. 4

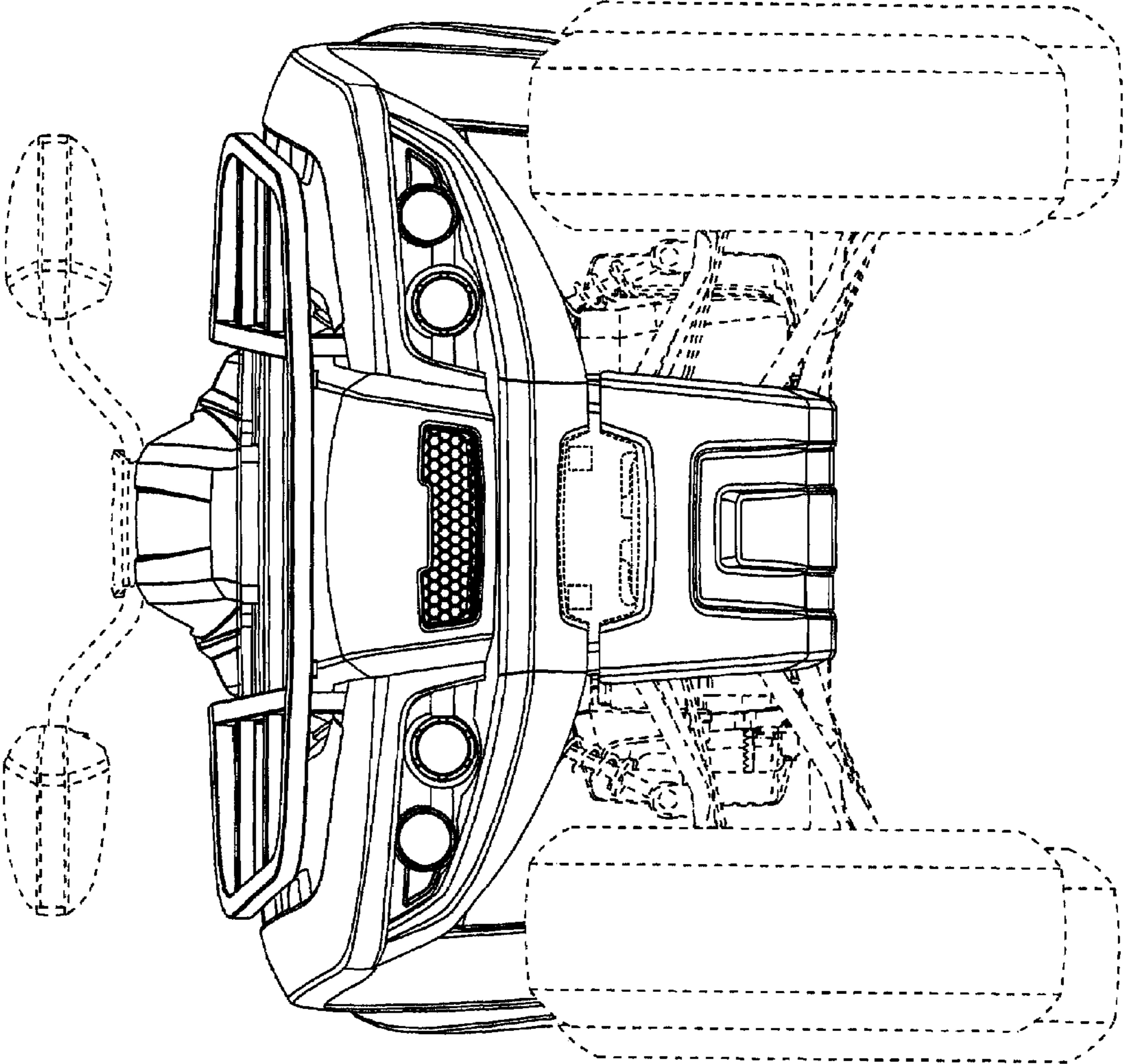
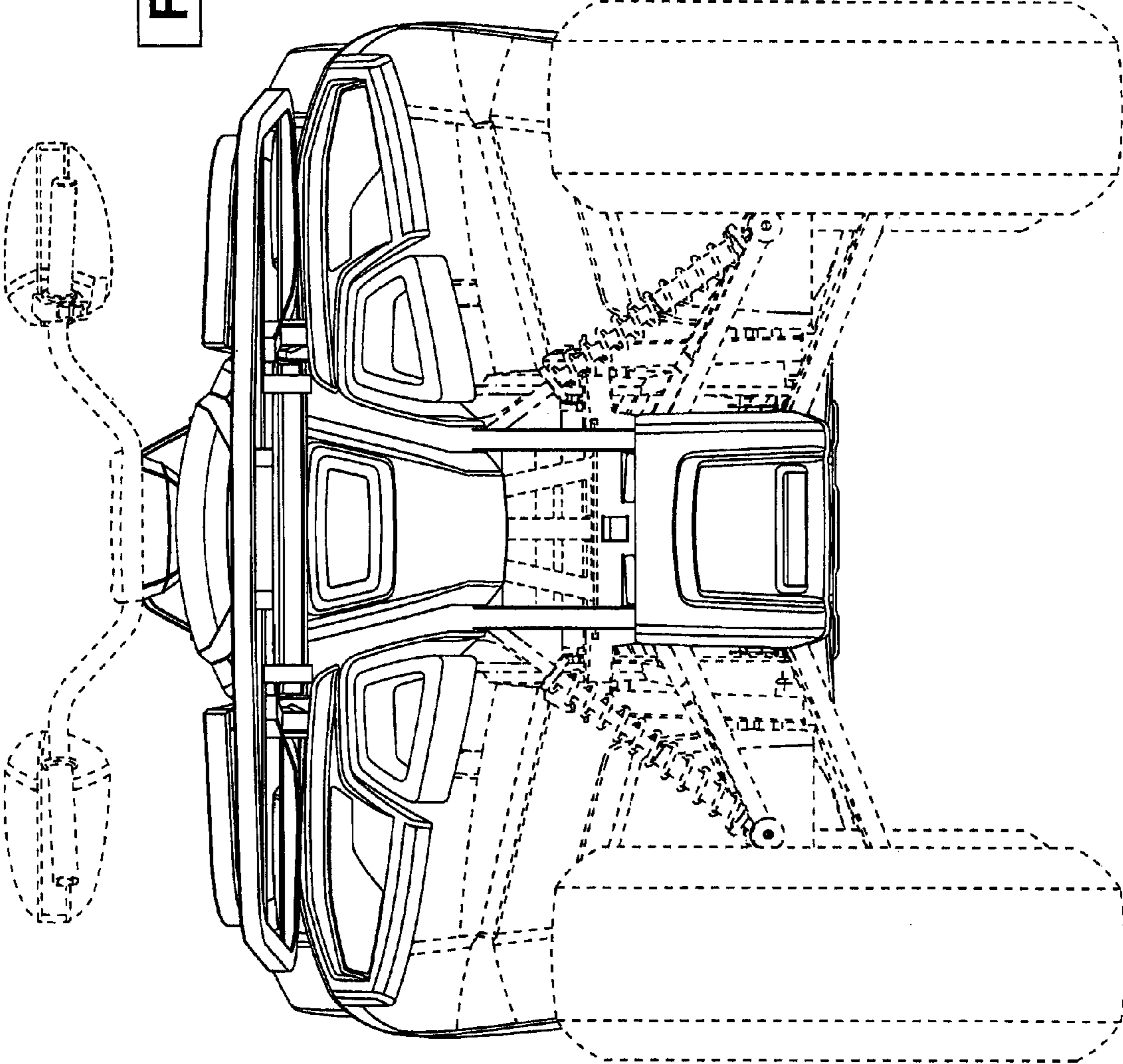


FIG. 5



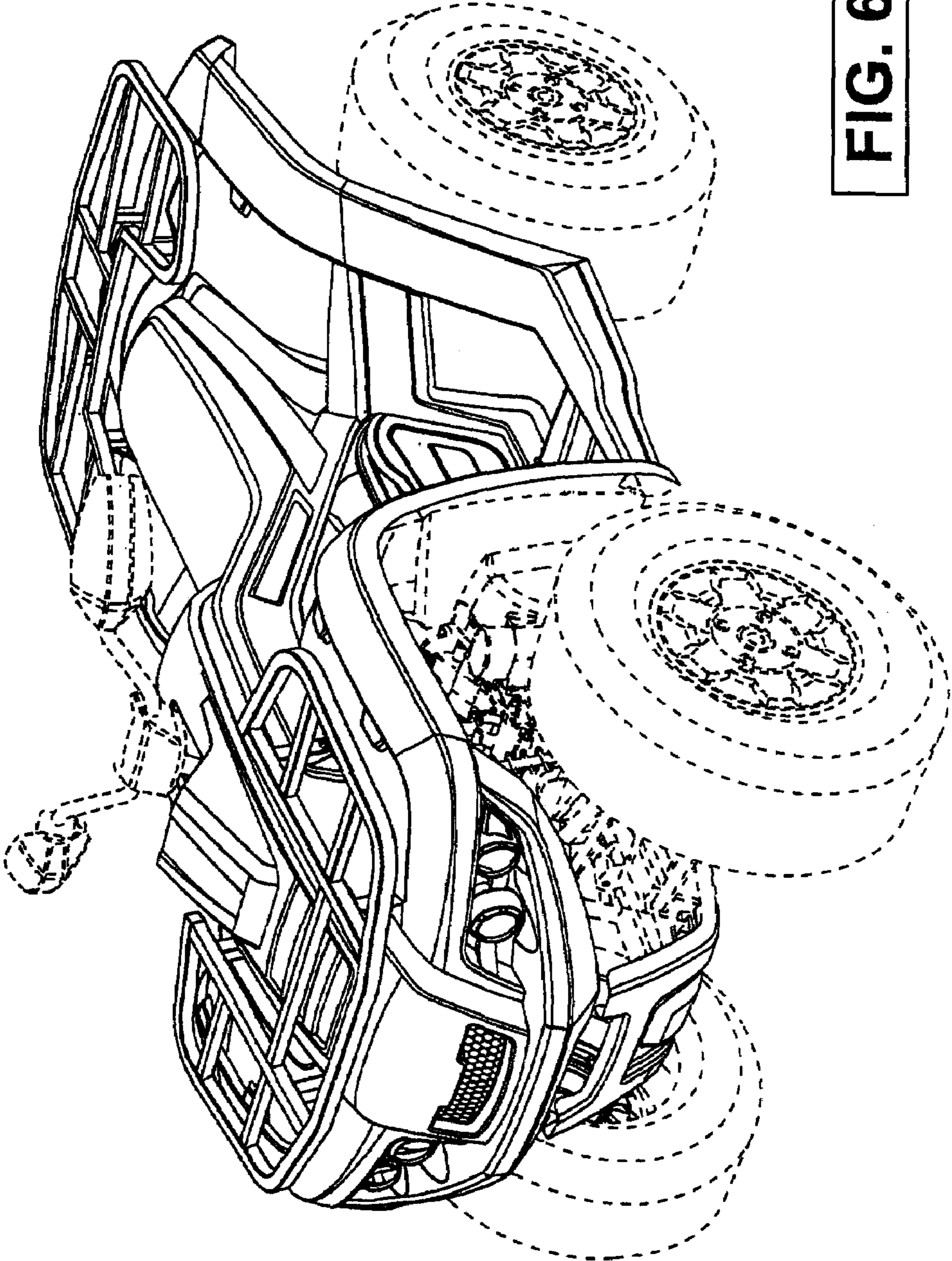


FIG. 6