



US00D592551S

(12) **United States Design Patent**
Manoogian, II et al.

(10) **Patent No.:** **US D592,551 S**

(45) **Date of Patent:** **** May 19, 2009**

(54) **VEHICLE BODY**

(75) Inventors: **John Manoogian, II**, Bloomfield Hills, MI (US); **Colin R. Phipps**, Ferndale, MI (US)

(73) Assignee: **GM Global Technology Operations, Inc.**, Detroit, MI (US)

(**) Term: **14 Years**

(21) Appl. No.: **29/302,154**

(22) Filed: **Jan. 11, 2008**

(51) **LOC (9) Cl.** **12-08**

(52) **U.S. Cl.** **D12/91**

(58) **Field of Classification Search** D12/12, D12/82, 85, 86, 91, 92; D21/424, 433, 434, D21/539, 548-552, 557-560; 296/181.1-186.5, 296/FOR. 109, FOR. 111

See application file for complete search history.

(56) **References Cited**

U.S. PATENT DOCUMENTS

D574,298 S * 8/2008 Opfer et al. D12/91

D576,524 S * 9/2008 Zavatski et al. D12/91
D578,437 S * 10/2008 Nishihata et al. D12/91
D579,823 S * 11/2008 Choi et al. D12/91
D579,824 S * 11/2008 Pandey et al. D12/91

* cited by examiner

Primary Examiner—Antoine D Davis

(57) **CLAIM**

The ornamental design for a vehicle body, as shown and described.

DESCRIPTION

FIG. 1 is a front view of a vehicle body showing the new design;

FIG. 2 is a right front perspective view thereof;

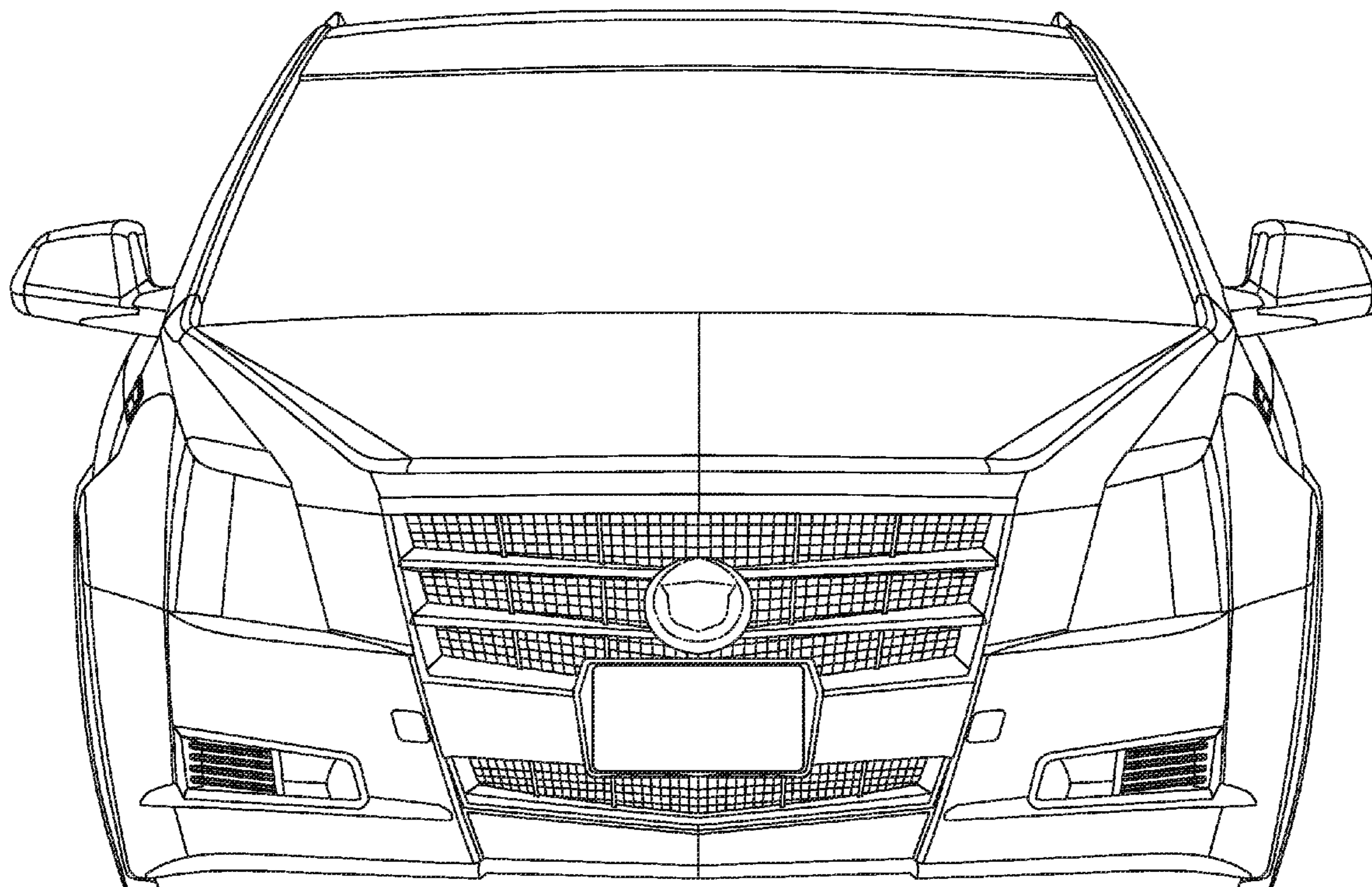
FIG. 3 is a left side view thereof, the right side being a mirror image;

FIG. 4 is a left rear perspective view thereof; and,

FIG. 5 is a rear view thereof.

The elements shown in broken lines form no part of the claimed invention.

1 Claim, 5 Drawing Sheets



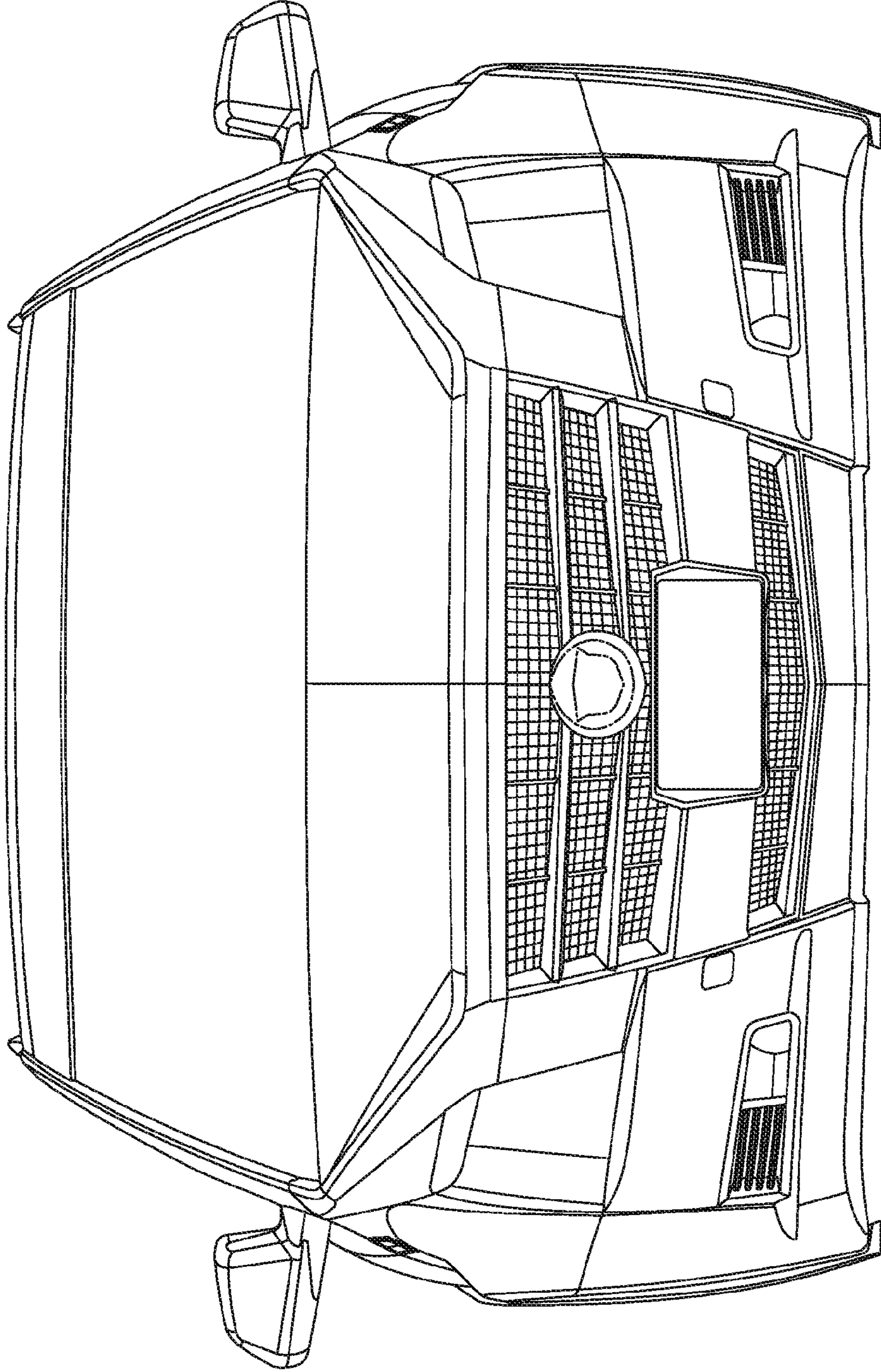


FIG. 1

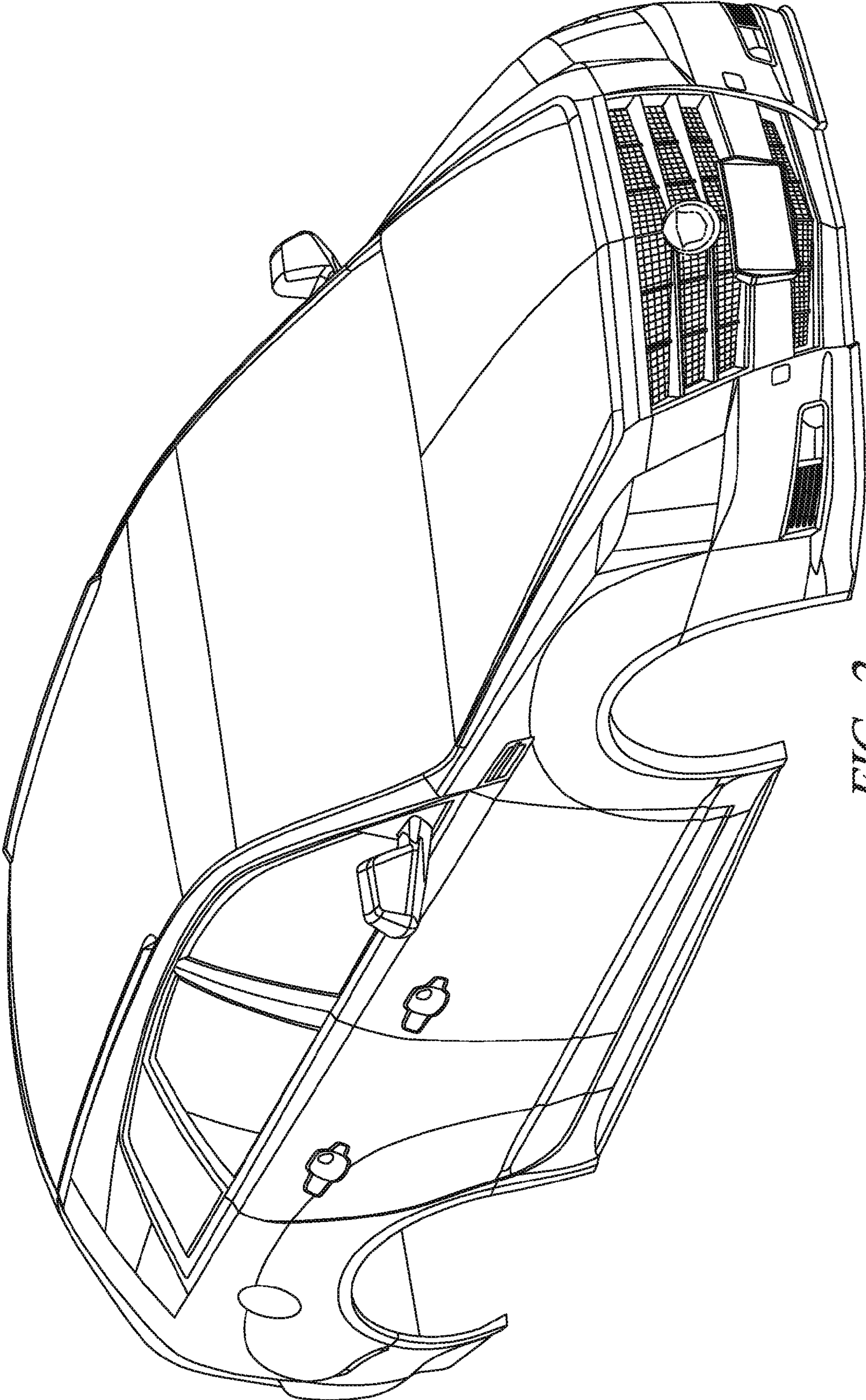


FIG. 2

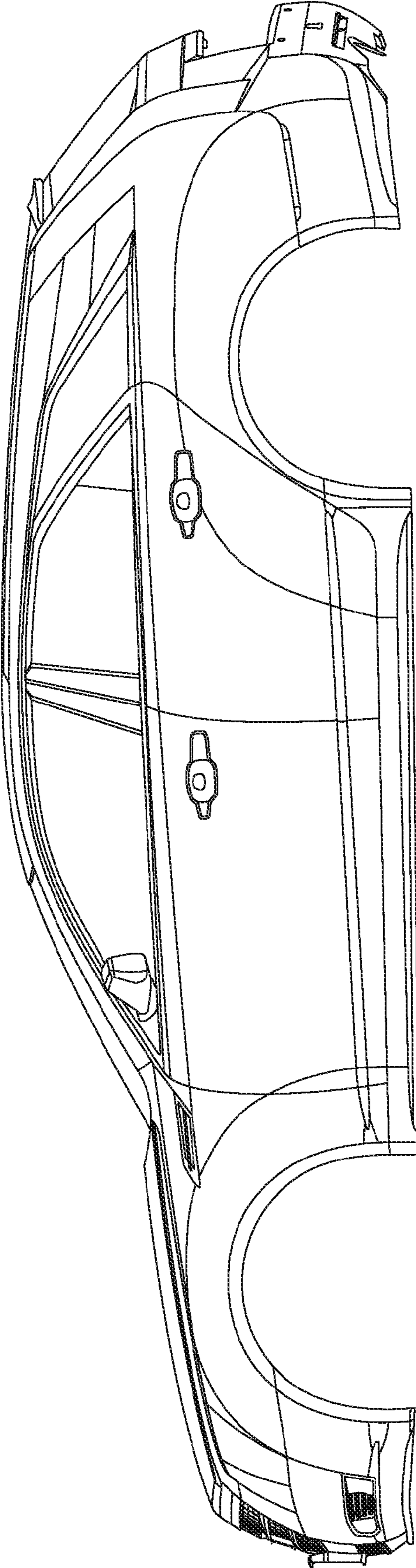


FIG. 3

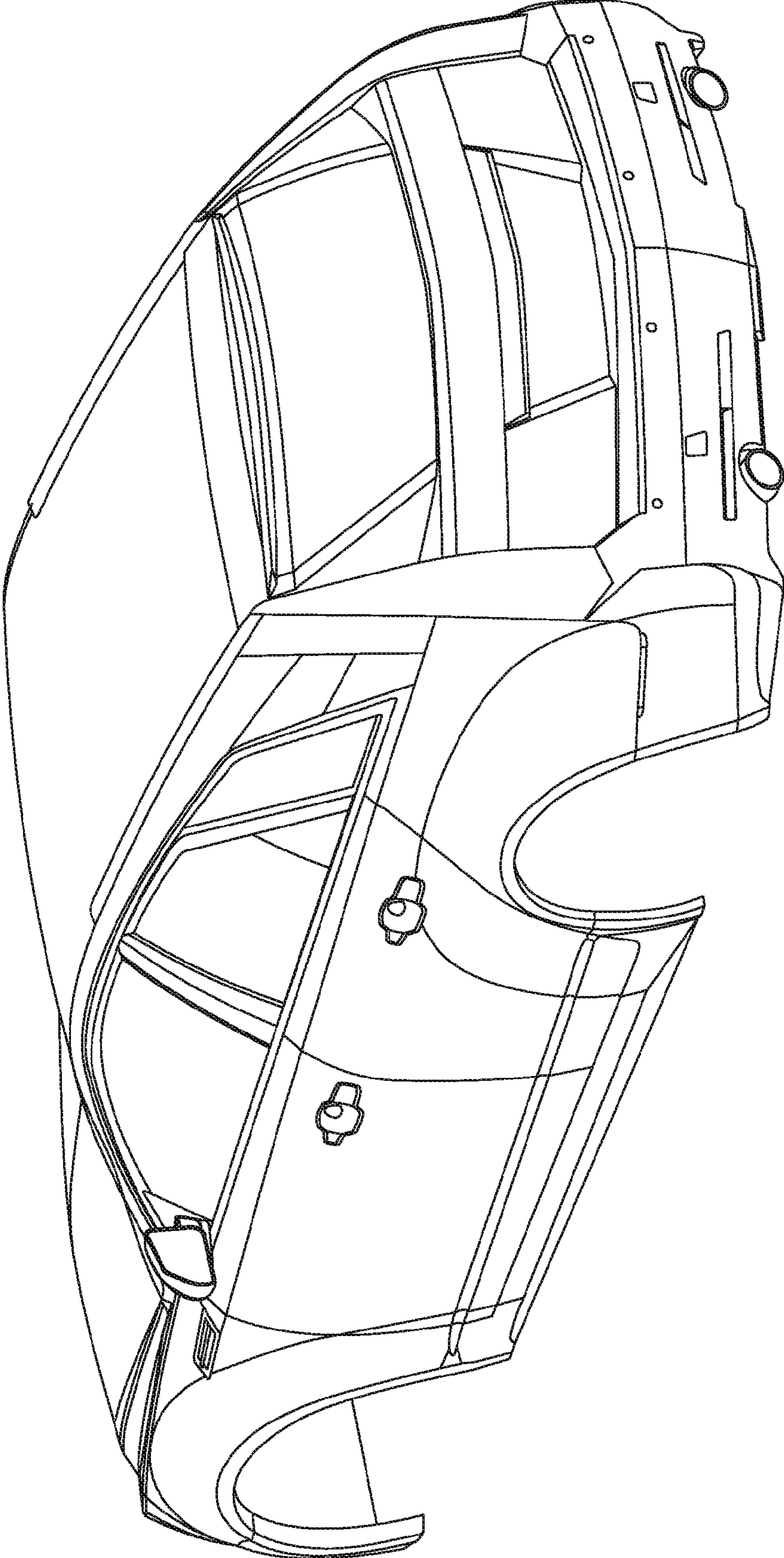


FIG. 4

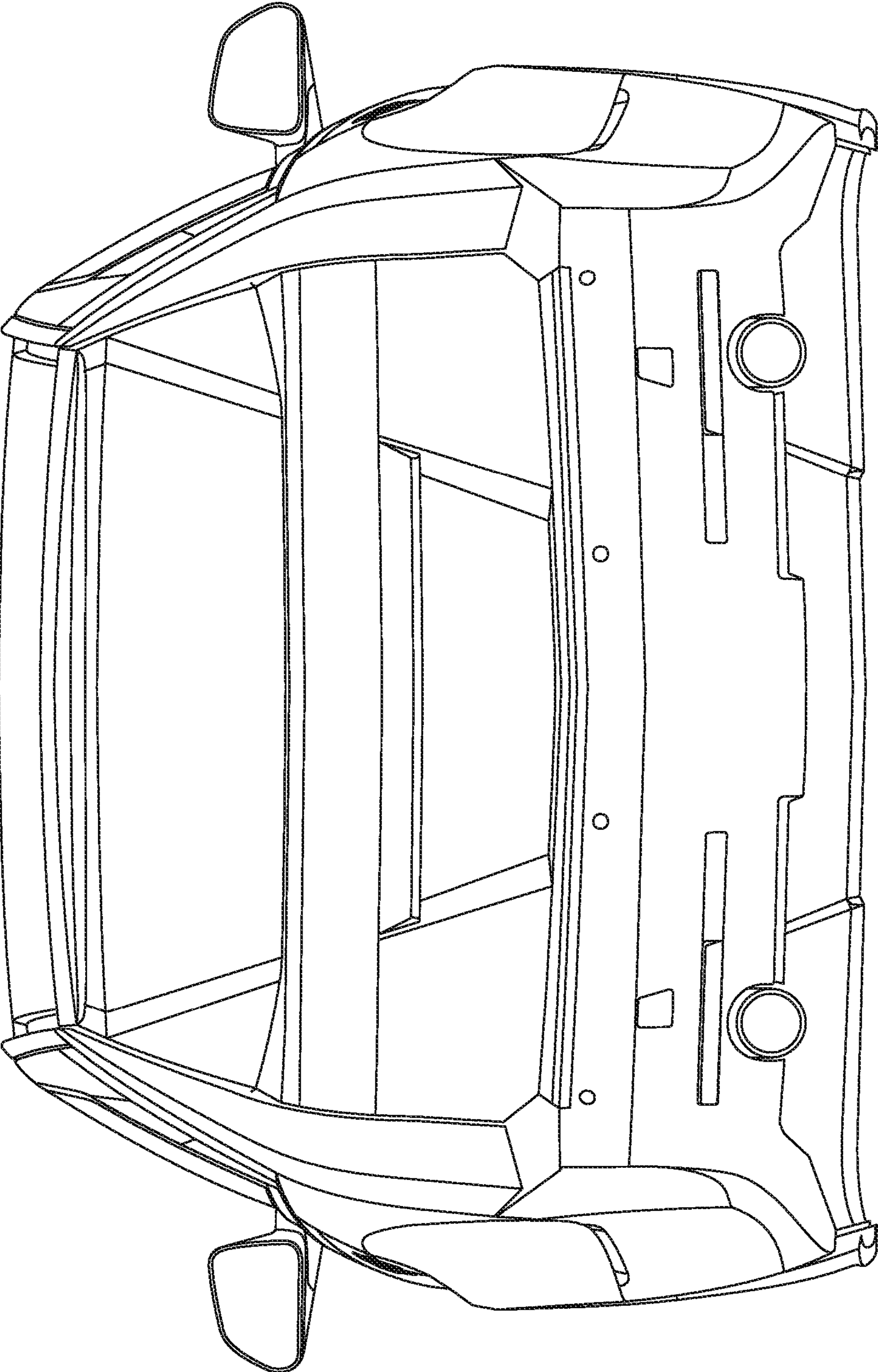


FIG. 5