

US00D592550S

(12) **United States Design Patent**  
**Lawlis**

(10) **Patent No.:** **US D592,550 S**

(45) **Date of Patent:** **\*\* May 19, 2009**

(54) **VEHICLE BODY**

D578,437 S \* 10/2008 Nishihata et al. .... D12/91  
D579,823 S \* 11/2008 Choi et al. .... D12/91  
D579,824 S \* 11/2008 Pandey et al. .... D12/91

(75) Inventor: **Peter A. Lawlis**, Pleasant Ridge, MI  
(US)

\* cited by examiner

(73) Assignee: **GM Global Technology Operations, Inc.**, Detroit, MI (US)

*Primary Examiner*—Antoine D Davis

(\*\*) Term: **14 Years**

(57) **CLAIM**

(21) Appl. No.: **29/302,153**

The ornamental design for a vehicle body, as shown and described.

(22) Filed: **Jan. 11, 2008**

**DESCRIPTION**

(51) **LOC (9) Cl.** ..... **12-08**

FIG. 1 is a front view of a vehicle body showing the new design;

(52) **U.S. Cl.** ..... **D12/91**

FIG. 2 is a right front perspective view thereof;

(58) **Field of Classification Search** ..... D12/12,  
D12/82, 85, 86, 91, 92; D21/424, 433, 434,  
D21/539, 548–552, 557–560; 296/181.1–186.5,  
296/FOR. 109, FOR. 111

FIG. 3 is a left side view thereof, the right side being a mirror image;

See application file for complete search history.

FIG. 4 is a left rear perspective view thereof, and,

FIG. 5 is a rear view thereof.

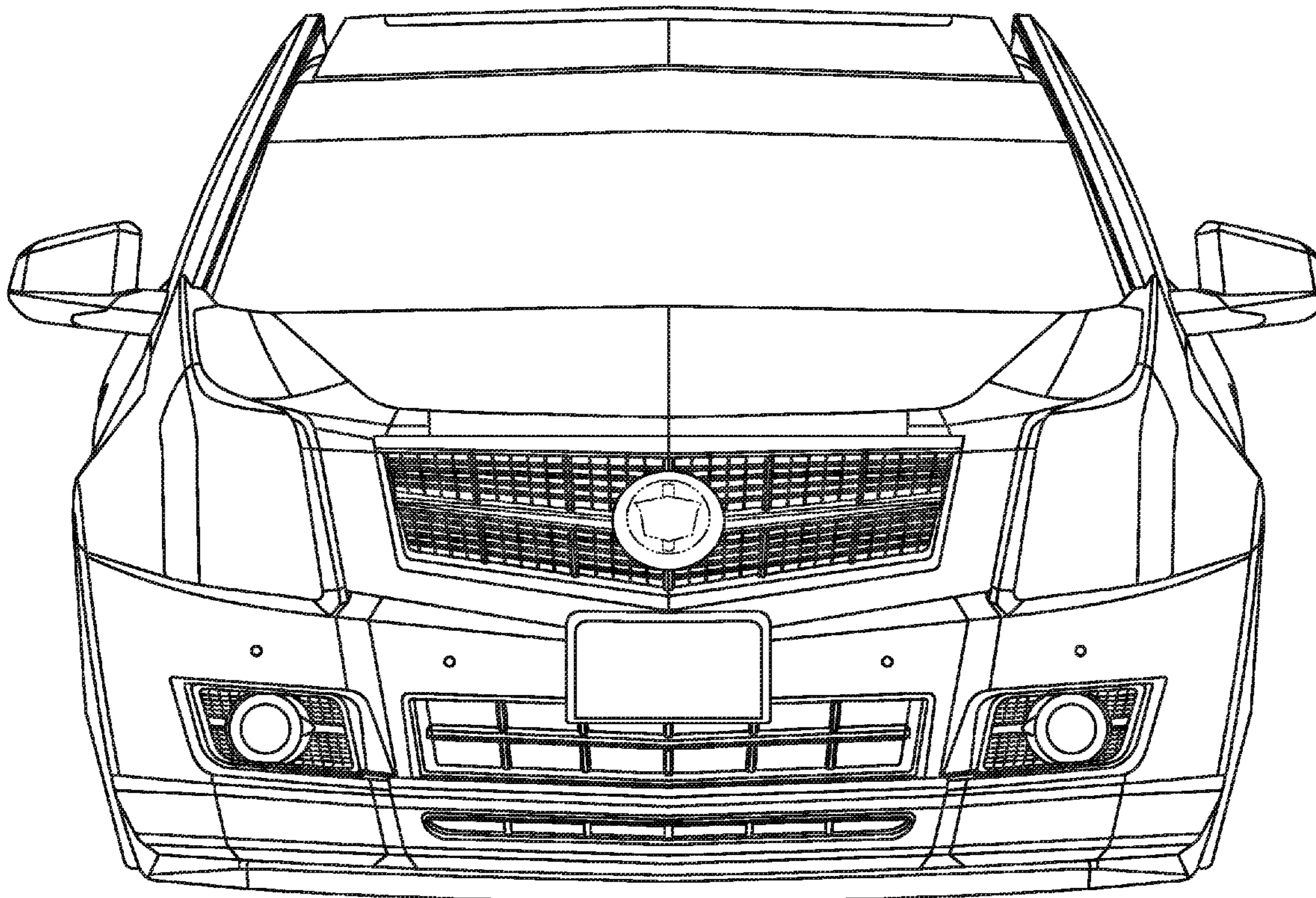
(56) **References Cited**

The elements shown in broken lines form no part of the claimed invention.

**U.S. PATENT DOCUMENTS**

D574,298 S \* 8/2008 Opfer et al. .... D12/91  
D576,524 S \* 9/2008 Zavatski et al. .... D12/91

**1 Claim, 5 Drawing Sheets**



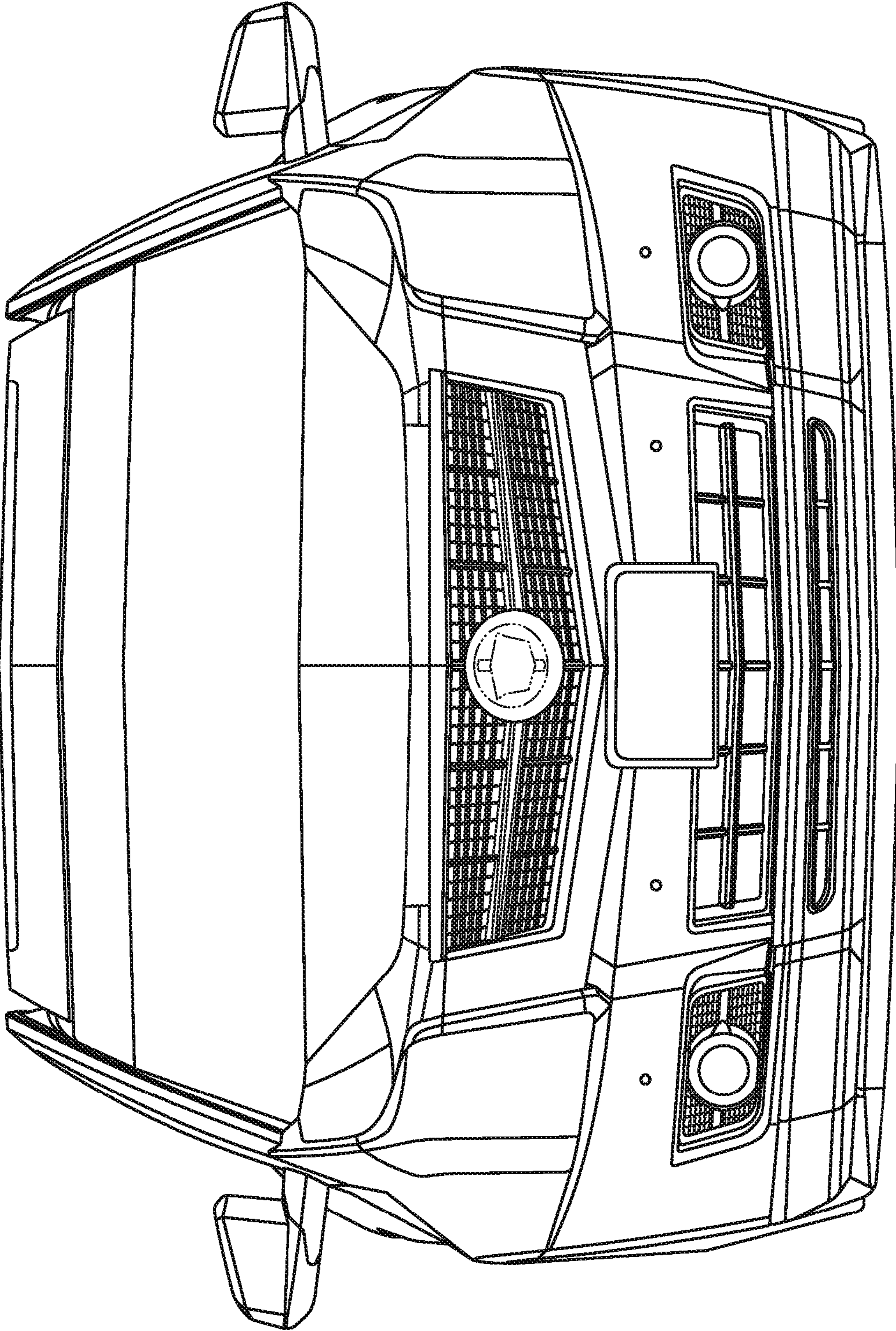


FIG. 1



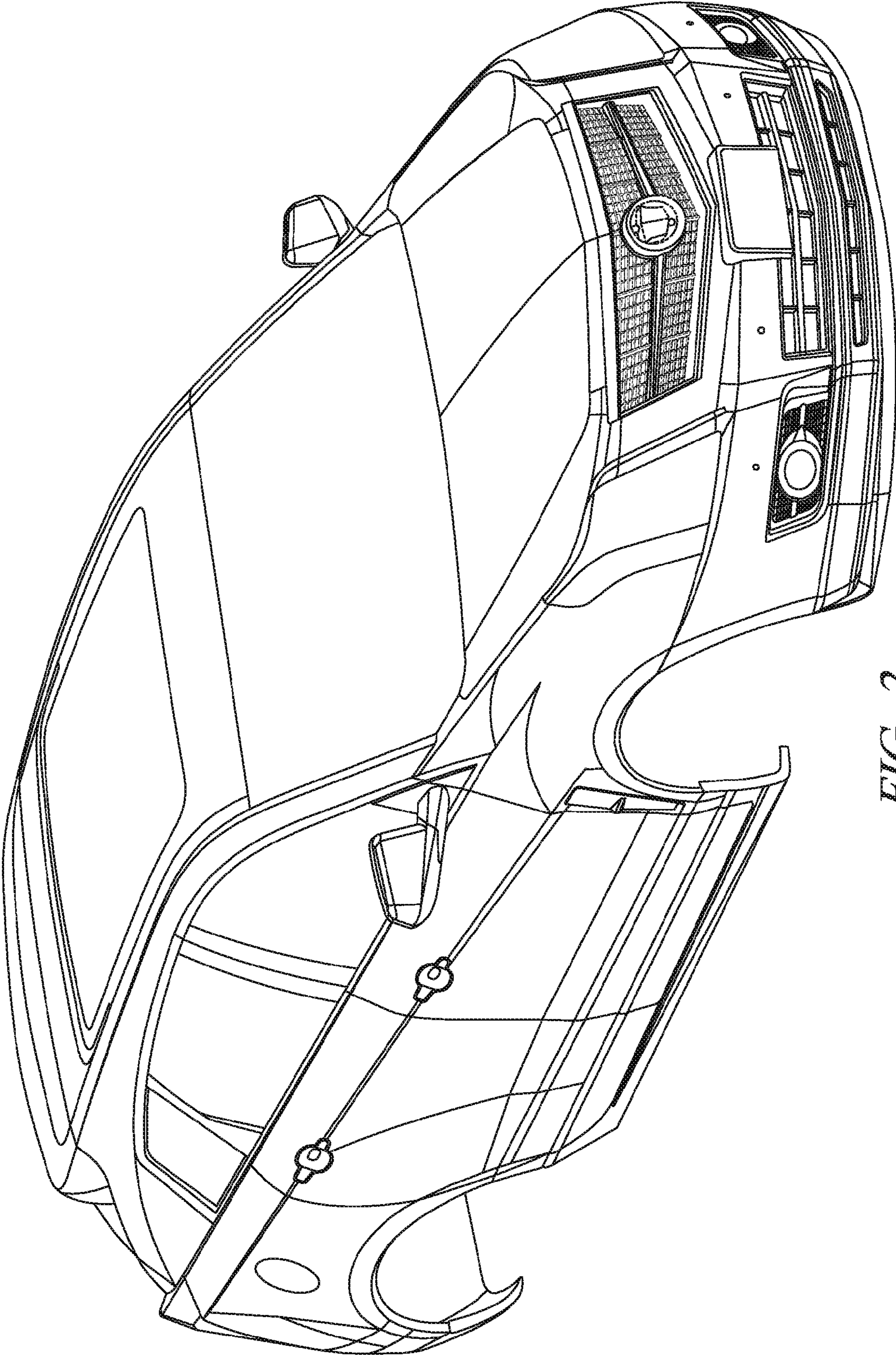


FIG. 2

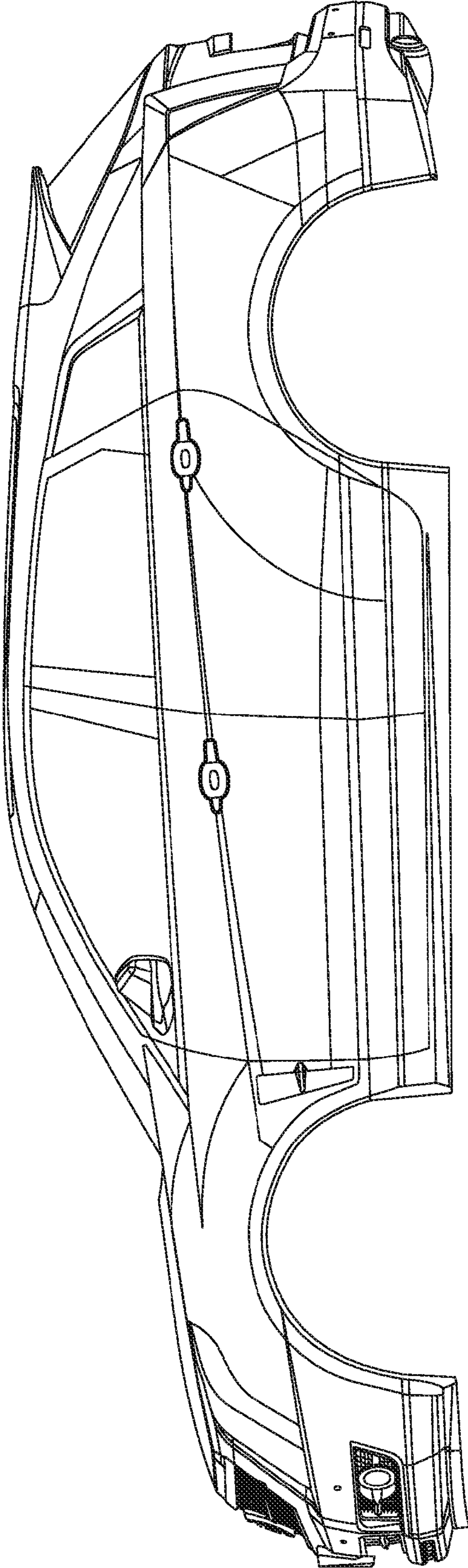


FIG. 3



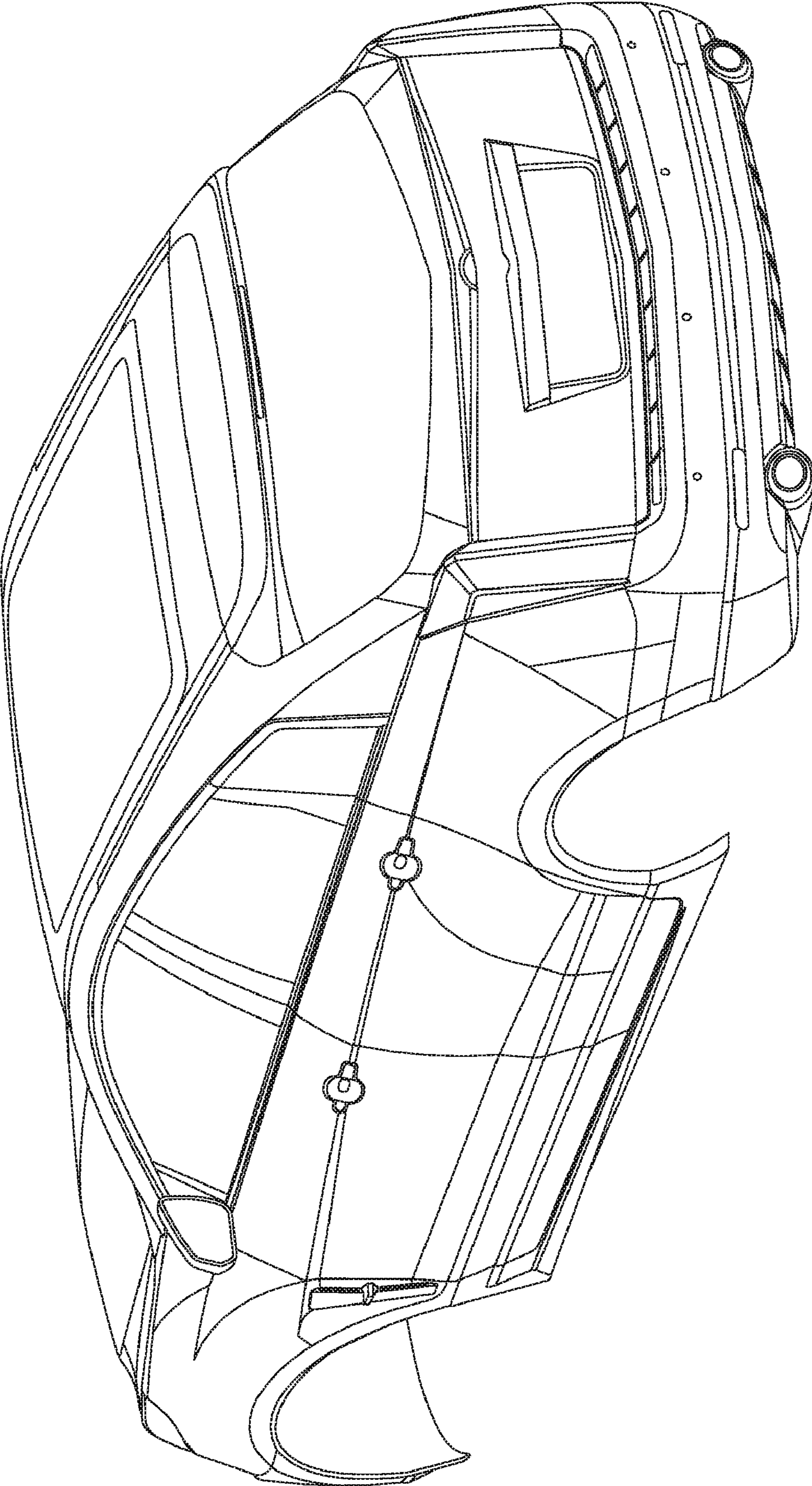


FIG. 4

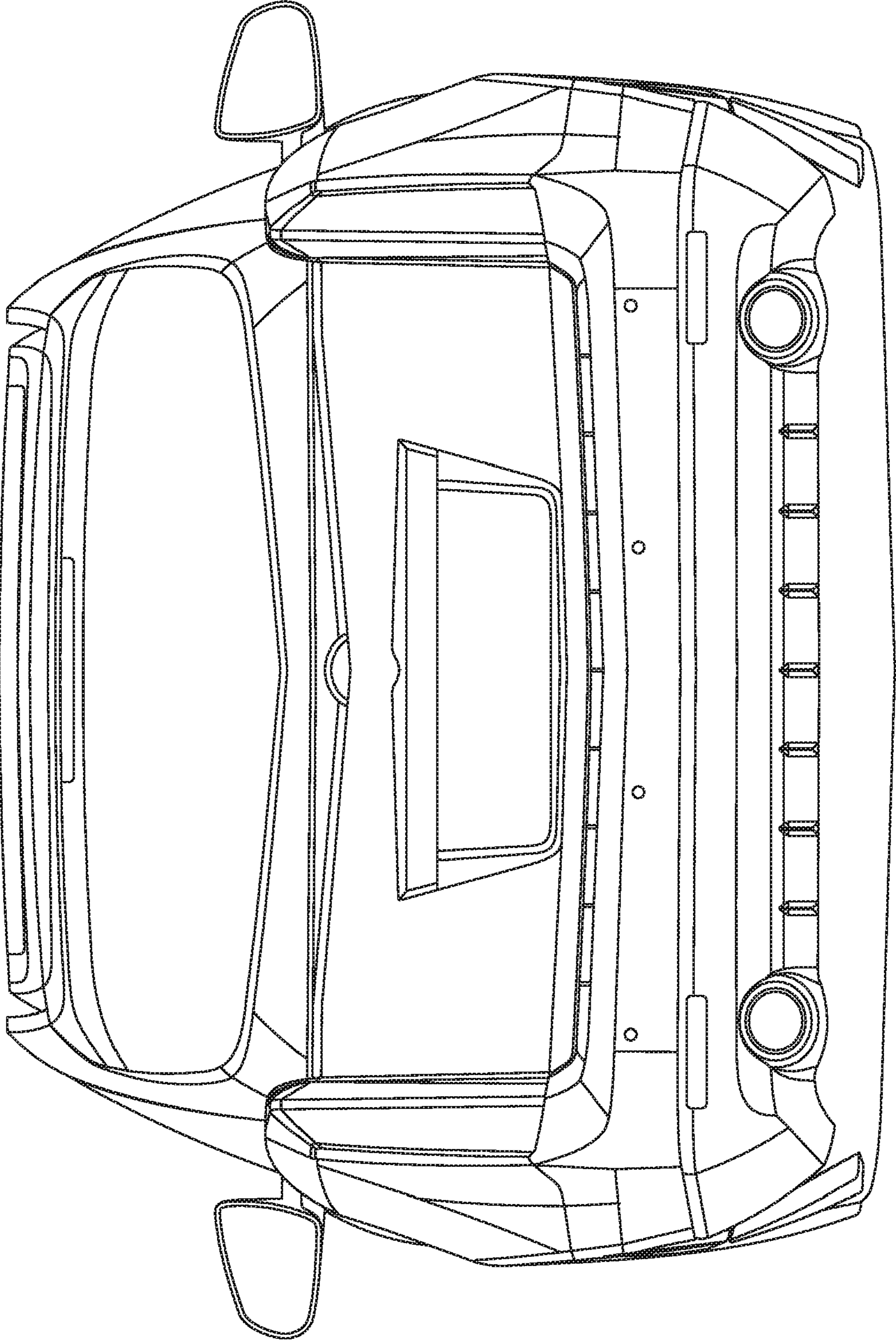


FIG. 5