

US00D592547S

(12) **United States Design Patent**
Riley

(10) **Patent No.:** **US D592,547 S**
(45) **Date of Patent:** **** May 19, 2009**

(54) **PARALLEL HYBRID THREE-WHEEL PASSENGER VEHICLE WITH RECONFIGURABLE CHASSIS AND POWER SYSTEMS**

Primary Examiner—Antoine D Davis

(57) **CLAIM**

The ornamental design for a parallel hybrid three-wheel passenger vehicle with reconfigurable chassis and power systems, as shown.

(76) **Inventor:** **Robert Quincy Riley**, 8368 W. Berridge La., Glendale, AZ (US) 85305

(**) **Term:** **14 Years**

(21) **Appl. No.:** **29/305,044**

(22) **Filed:** **Mar. 12, 2008**

(51) **LOC (9) Cl.** **12-08**

(52) **U.S. Cl.** **D12/85**

(58) **Field of Classification Search** D12/82, D12/85, 86, 91, 92; D21/424, 433, 434; 296/181.1–186.5, FOR. 109, FOR. 111
See application file for complete search history.

DESCRIPTION

FIG. 1 is a front view of a parallel hybrid three-wheel passenger vehicle with reconfigurable chassis and power systems showing my new design;

FIG. 2 is an oblique front view thereof;

FIG. 3 is a right side view thereof;

FIG. 4 is a oblique rear left view thereof; and,

FIG. 5 is an oblique front view with open clam-shell canopy thereof.

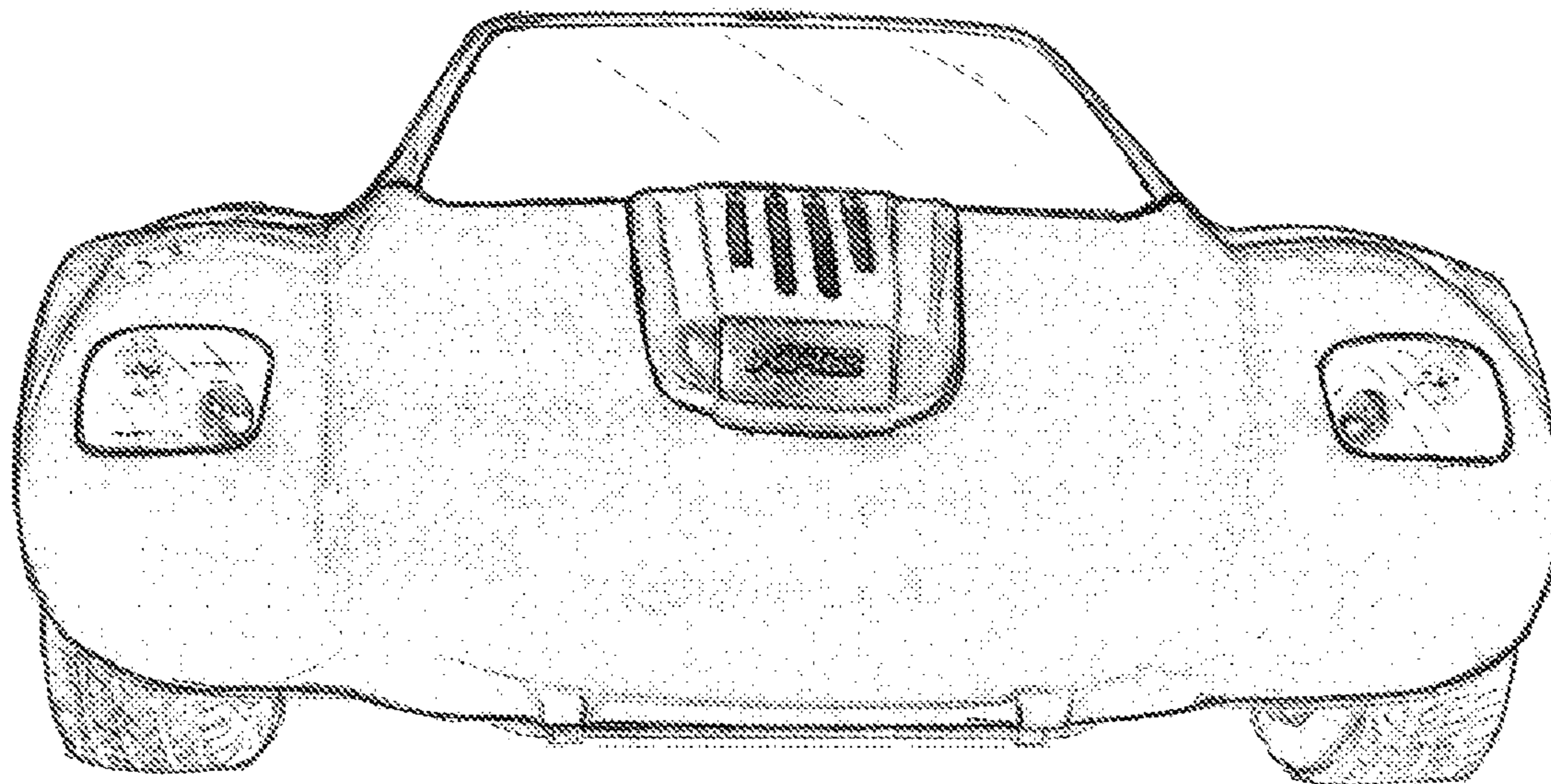
(56) **References Cited**

U.S. PATENT DOCUMENTS

D574,296 S * 8/2008 Keski-Luopa D12/85

* cited by examiner

1 Claim, 3 Drawing Sheets



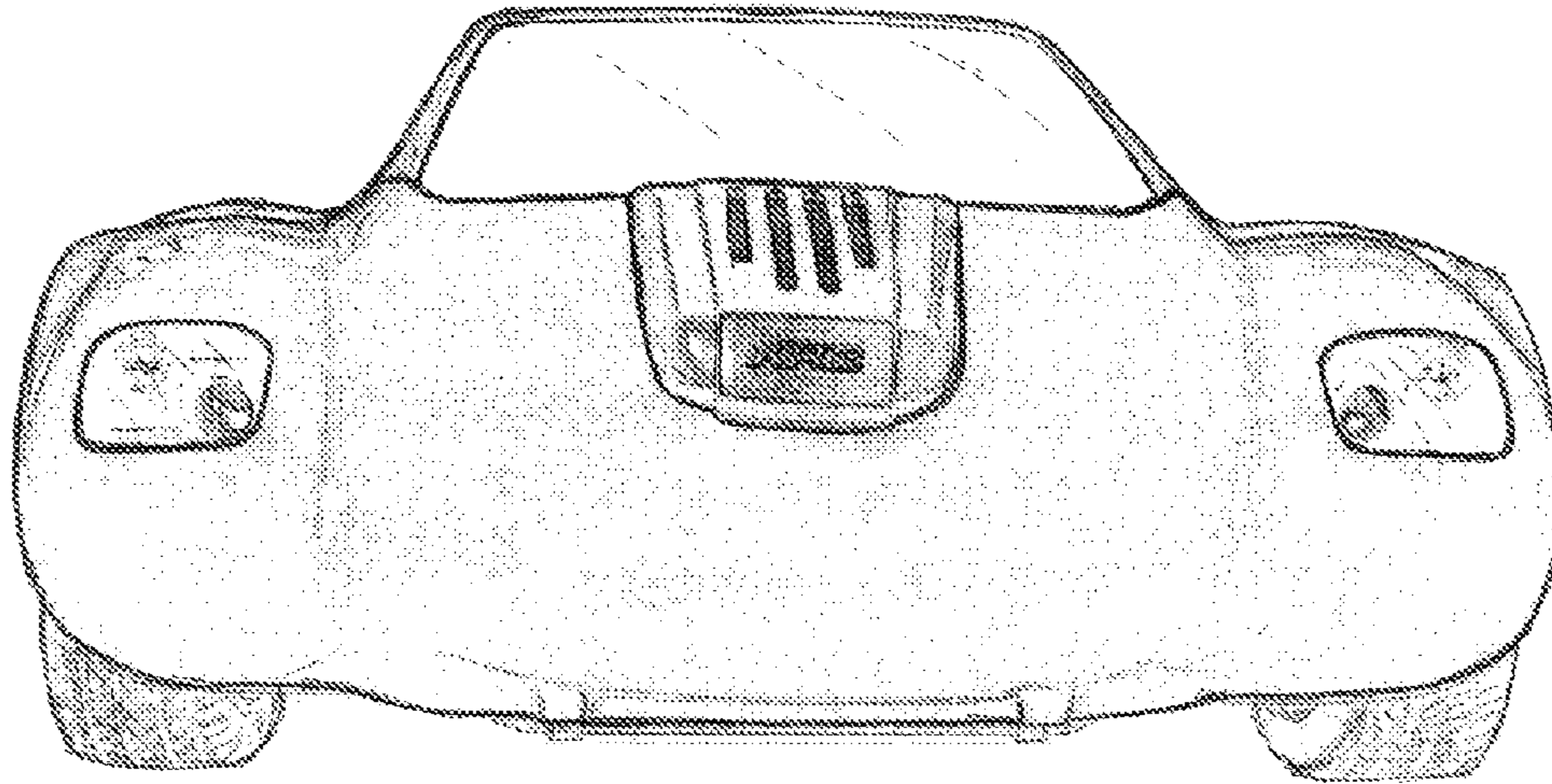


Figure 1

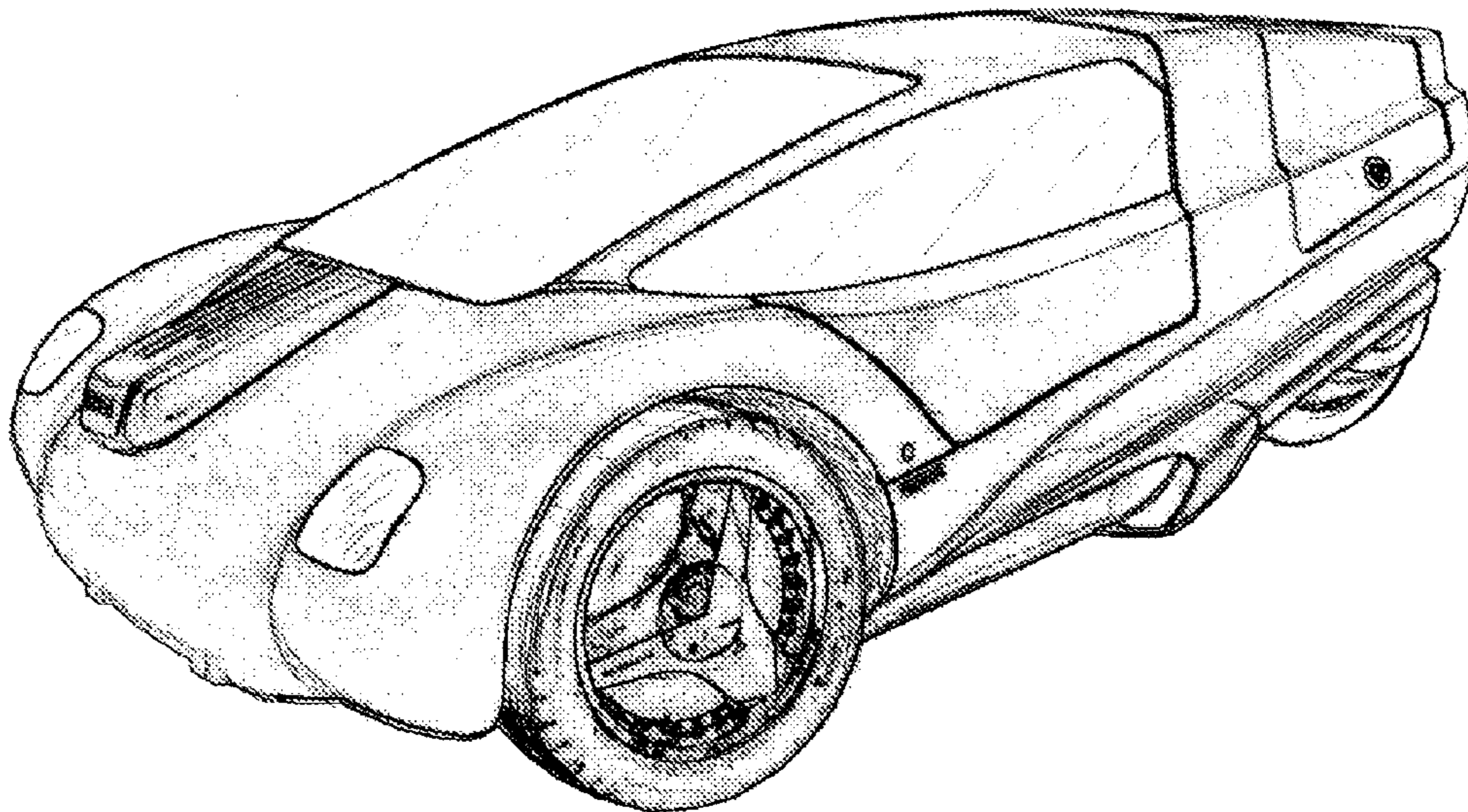


Figure 2

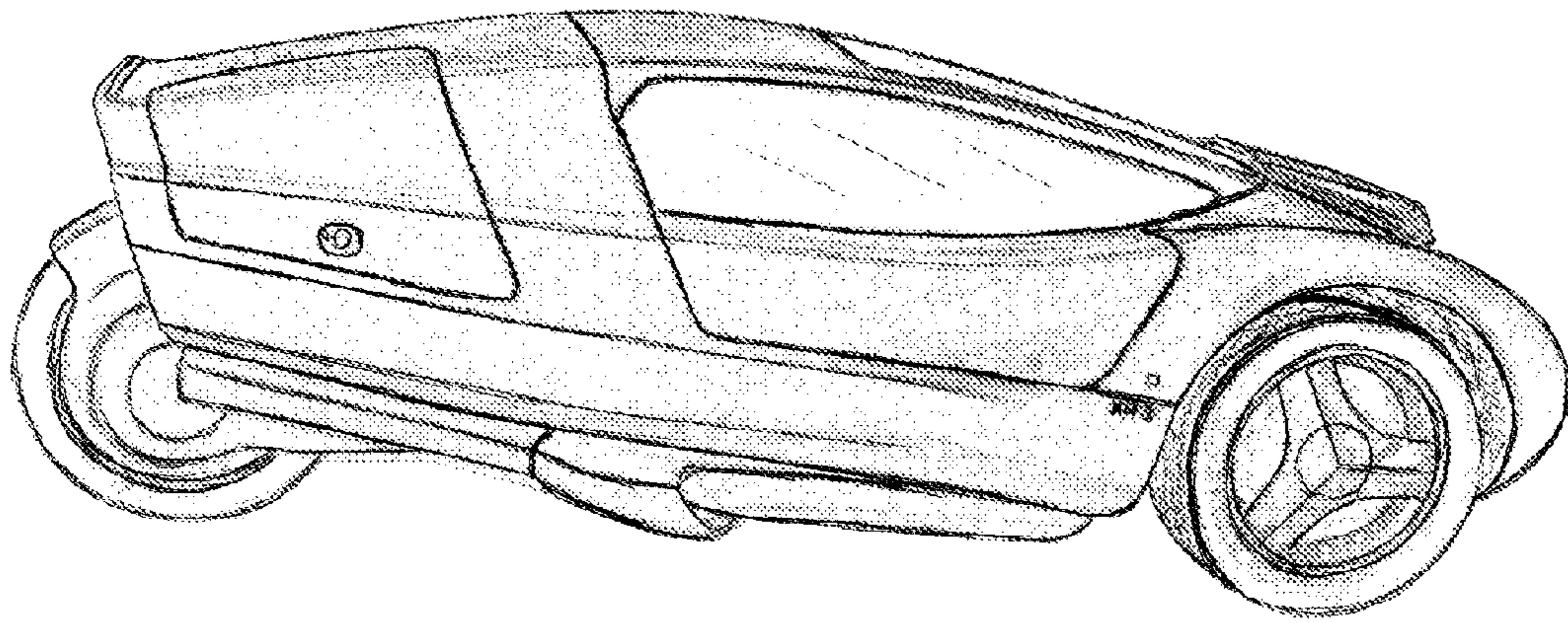


Figure 3

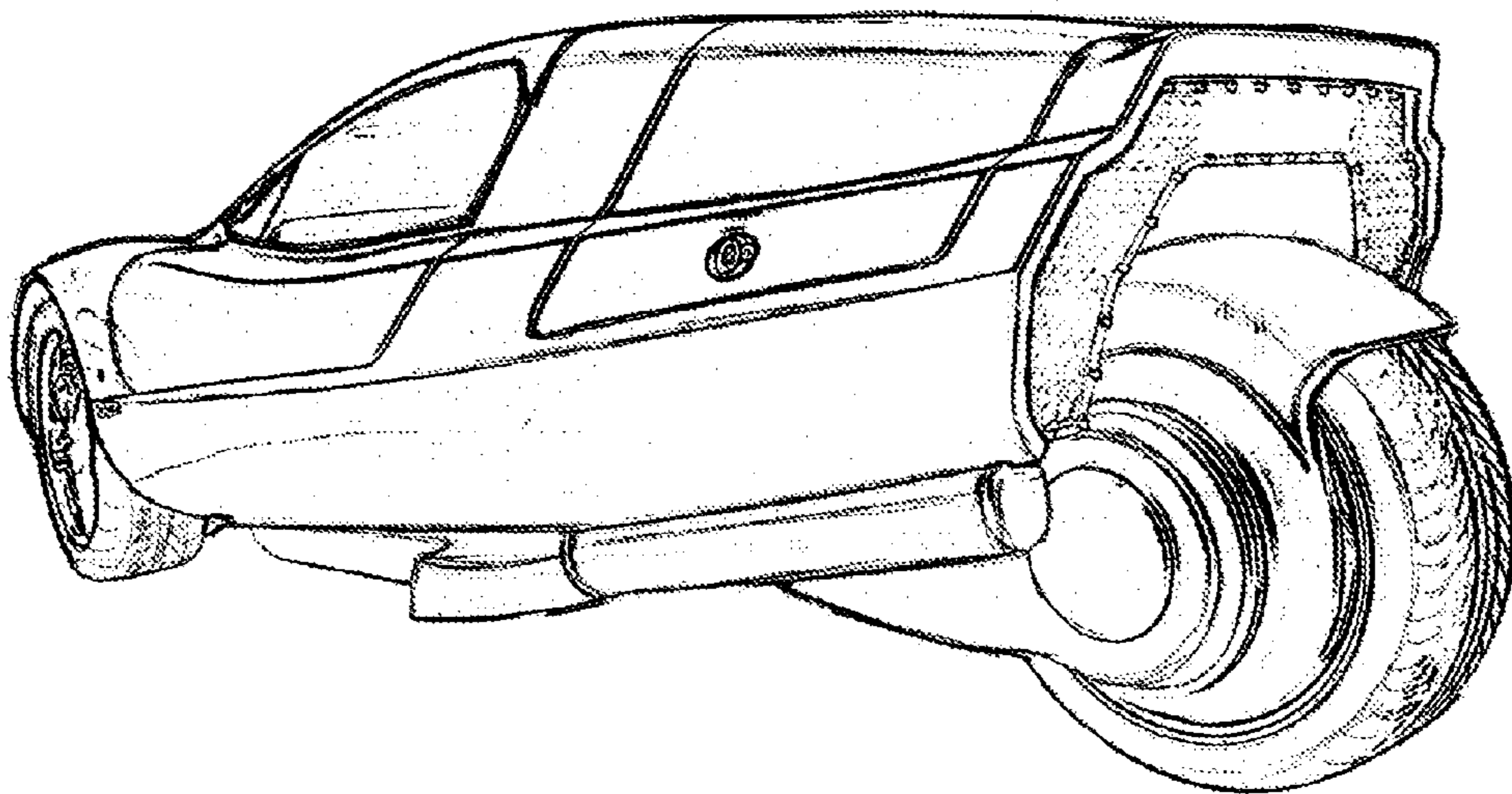


Figure 4

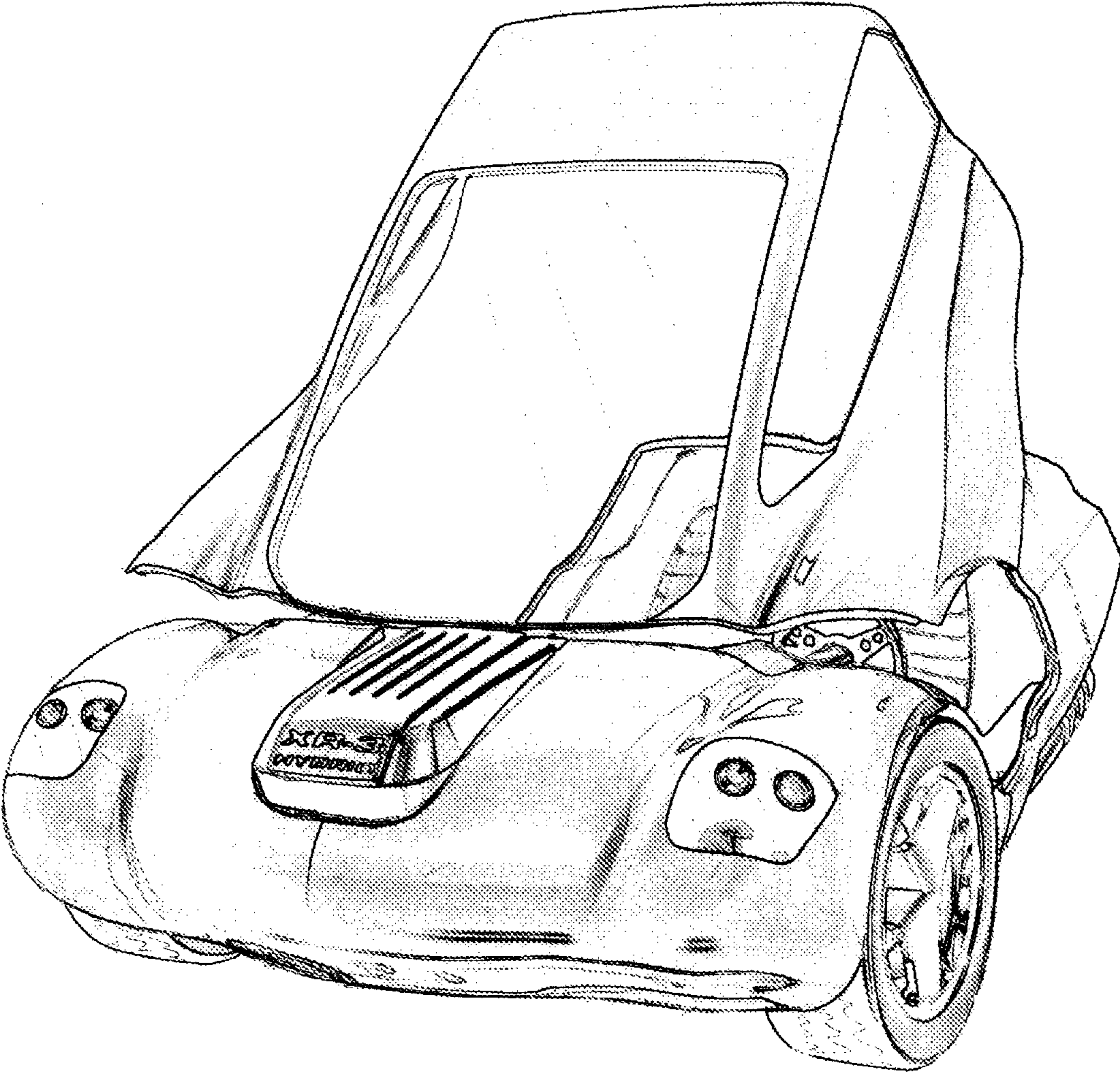


Figure 5