



US00D592545S

(12) **United States Design Patent**
Green, Jr.

(10) **Patent No.:** **US D592,545 S**

(45) **Date of Patent:** **** May 19, 2009**

(54) **FRONT FENDER FOR AN ARMORED VEHICLE**

(75) **Inventor:** **Paul C. Green, Jr., Mt. Pleasant, SC (US)**

(73) **Assignee:** **Force Protection Industries, Inc., Ladson, SC (US)**

(**) **Term:** **14 Years**

(21) **Appl. No.:** **29/287,486**

(22) **Filed:** **Aug. 14, 2007**

(51) **LOC (9) Cl.** **12-13**

(52) **U.S. Cl.** **D12/12; D12/181**

(58) **Field of Classification Search** D12/86-89, D12/12, 91, 92, 1-4, 98-100, 184, 13, 82, D12/84, 85, 93, 95, 101, 106, 122, 400, 414, D12/164, 163, 167, 168, 169, 172, 173, 181, D12/202, 196; D21/533, 539, 548-552, D21/557-60, 579, 580-583, 442, 436, 447, D21/560, 86, 91; 180/232, 242, 89.12, 449; 410/57; 89/36.8, 36.09, 37.03, 38, 40.03, 89/36 F, 36 H, 4 B, 36.1, 36.13; 446/471, 446/487; 296/181.3, 1.01, 183, 24.1, 37.6, 296/185, 186, 204, 186.1; 280/838, 839
See application file for complete search history.

(56) **References Cited**

U.S. PATENT DOCUMENTS

- 2,868,310 A * 1/1959 Lee 180/89.17
- D245,000 S * 7/1977 Longeau D12/12
- D253,763 S * 12/1979 Legueu D12/164
- D270,526 S * 9/1983 Legueu D12/12
- D272,524 S * 2/1984 Legueu D12/84
- D287,112 S * 12/1986 Legueu D12/84

- D315,535 S * 3/1991 Lockhart D12/12
- D321,160 S * 10/1991 Kingsley D12/184
- D393,436 S * 4/1998 Williams D12/173
- 6,076,949 A * 6/2000 Holdsworth et al. 362/500
- D505,896 S * 6/2005 Devitt D12/184
- D515,468 S * 2/2006 Inui et al. D12/107
- D548,646 S * 8/2007 Green et al. D12/12
- D548,647 S * 8/2007 Green et al. D12/12
- D552,507 S * 10/2007 Hammick D12/12
- D560,583 S * 1/2008 Simons et al. D12/196
- D563,272 S * 3/2008 Hammick et al. D12/12
- D573,507 S * 7/2008 Moushegian et al. D12/91

* cited by examiner

Primary Examiner—T. Chase Nelson

Assistant Examiner—Ania K Dworzecka

(74) *Attorney, Agent, or Firm*—Finnegan, Henderson, Farabow, Garrett, and Dunner, LLP

(57) **CLAIM**

The ornamental design for a front fender for an armored vehicle, as shown and described.

DESCRIPTION

FIG. 1 is front perspective view of front fender for an armored vehicle of my new design;

FIG. 2 is a front view thereof;

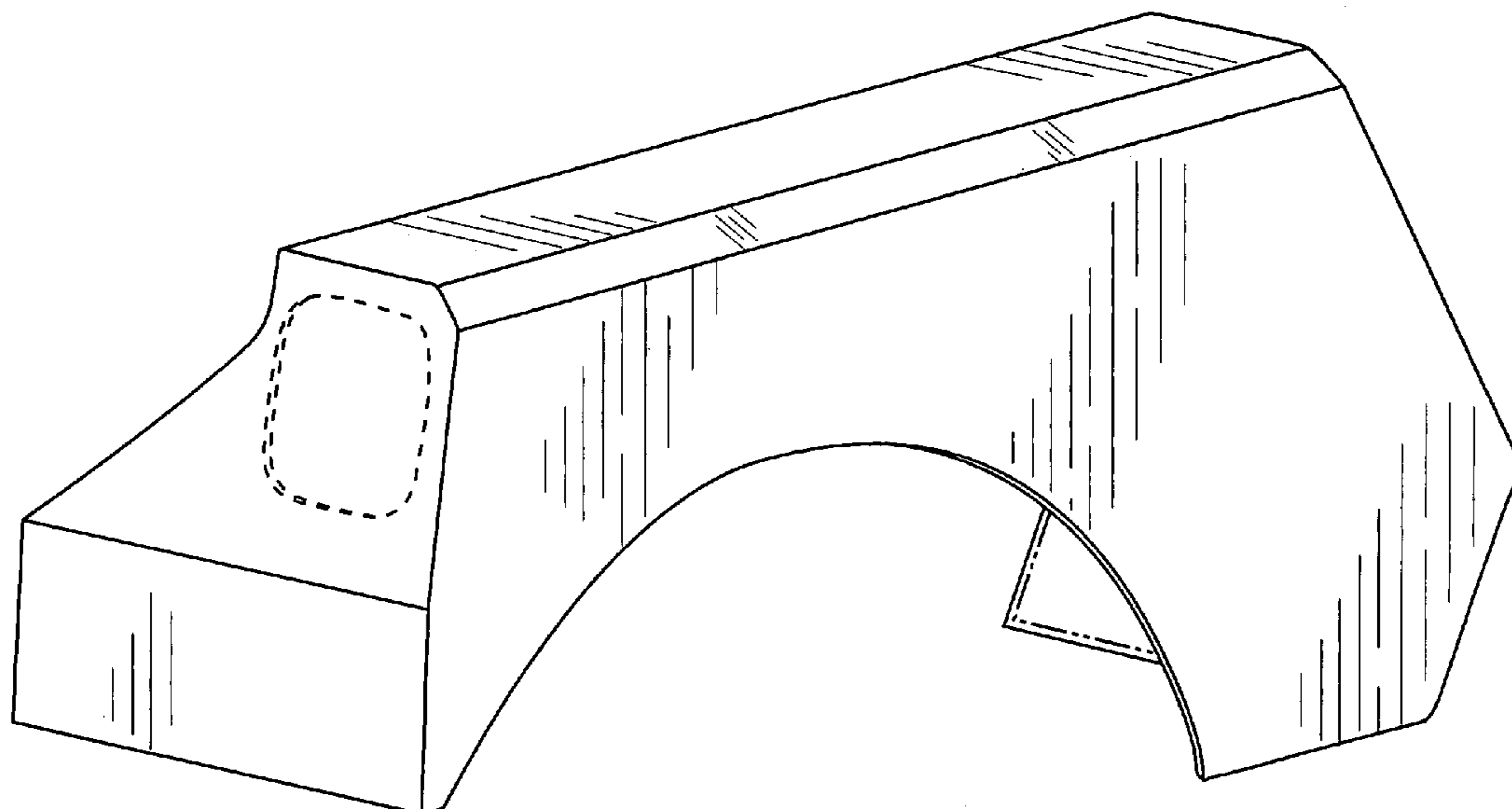
FIG. 3 is a rear view thereof;

FIG. 4 is a top plan view thereof; and,

FIG. 5 is a right side view thereof.

The dash dot dot lines immediately adjacent to the claimed areas in the views represent the boundaries of the design. The dotted lines in the figures illustrate the portions of the design that form no part of the claim. None of the broken lines form any part of the claimed design.

1 Claim, 3 Drawing Sheets



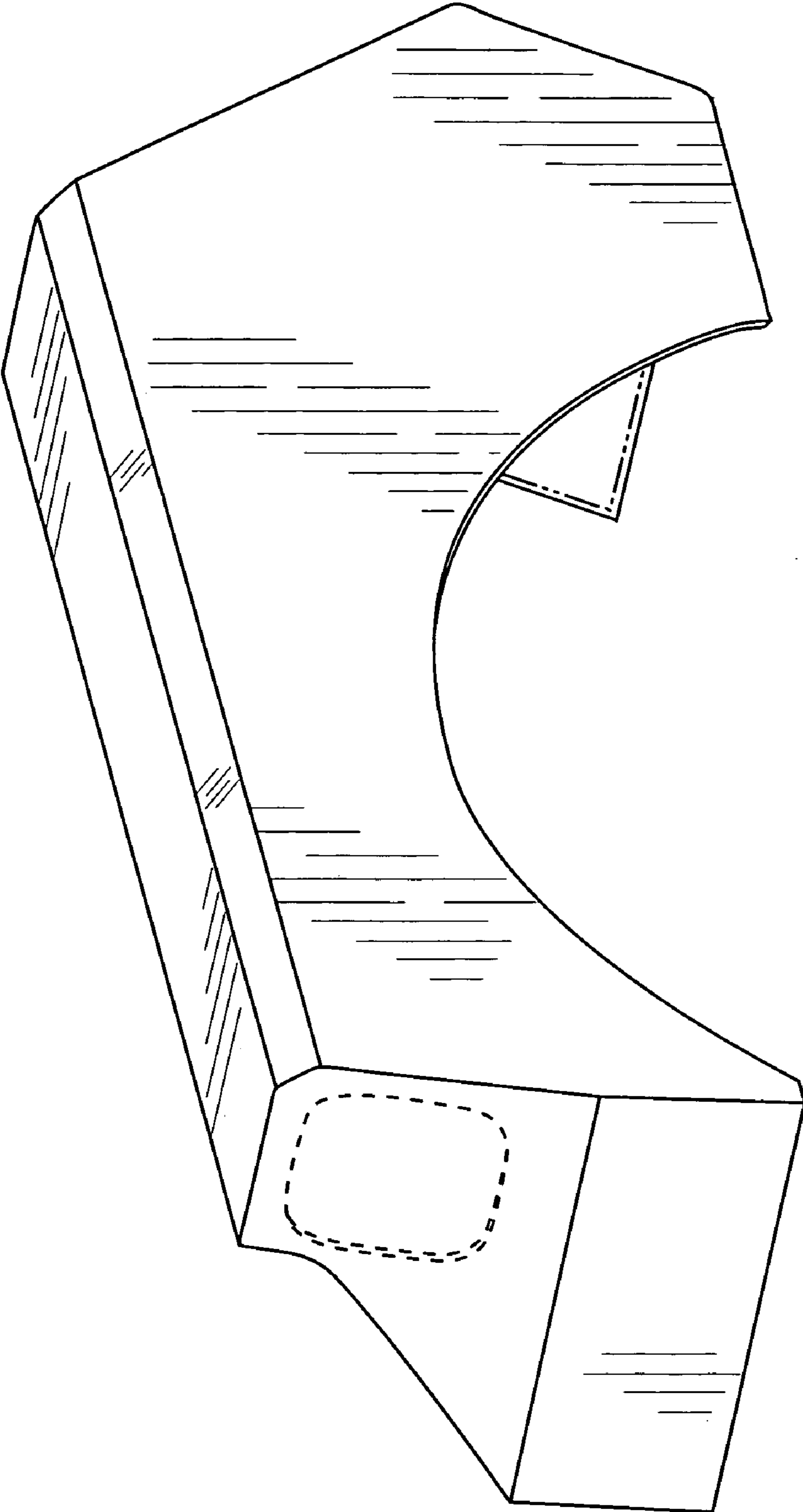


FIG. 1

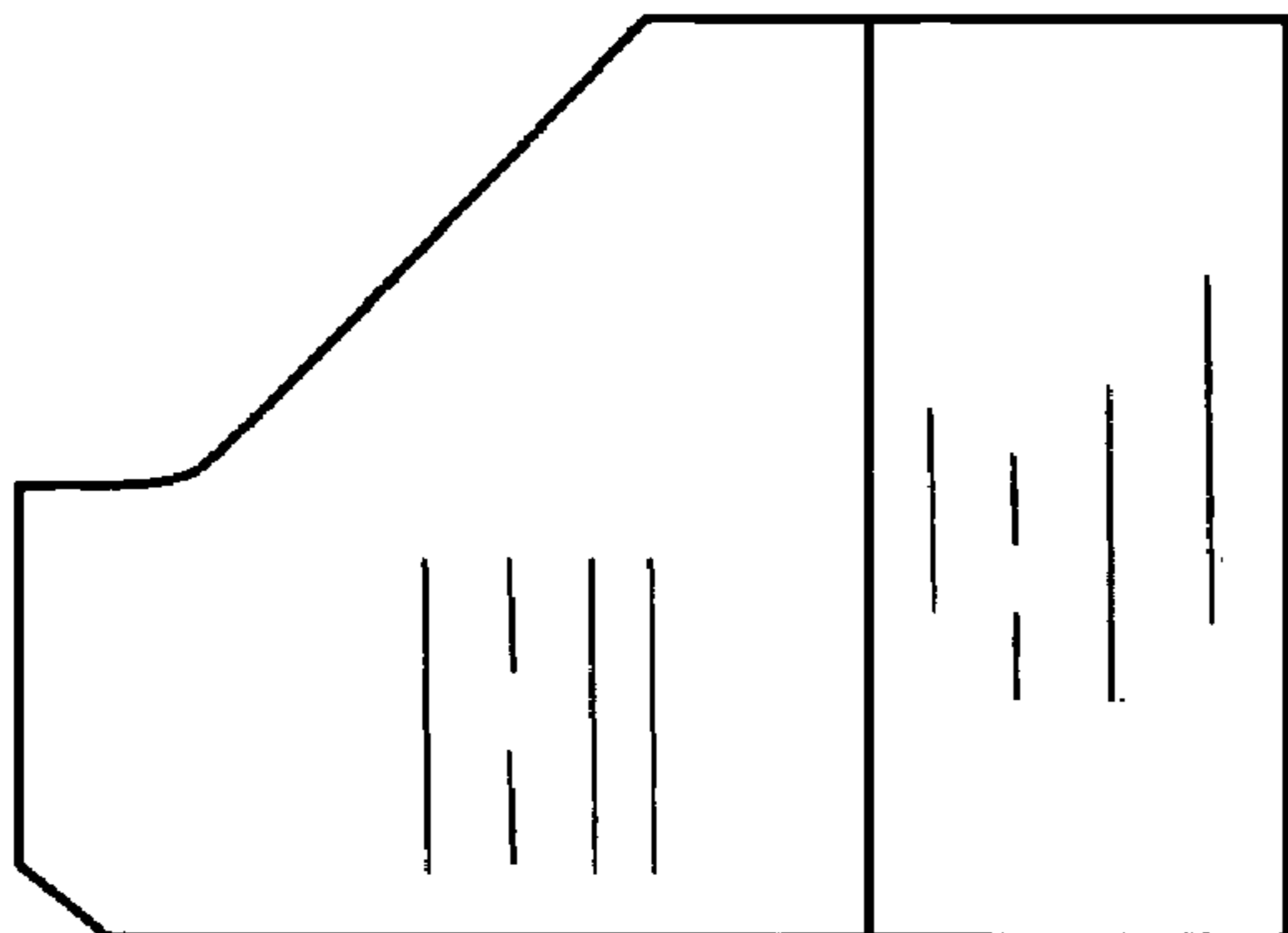


FIG. 3

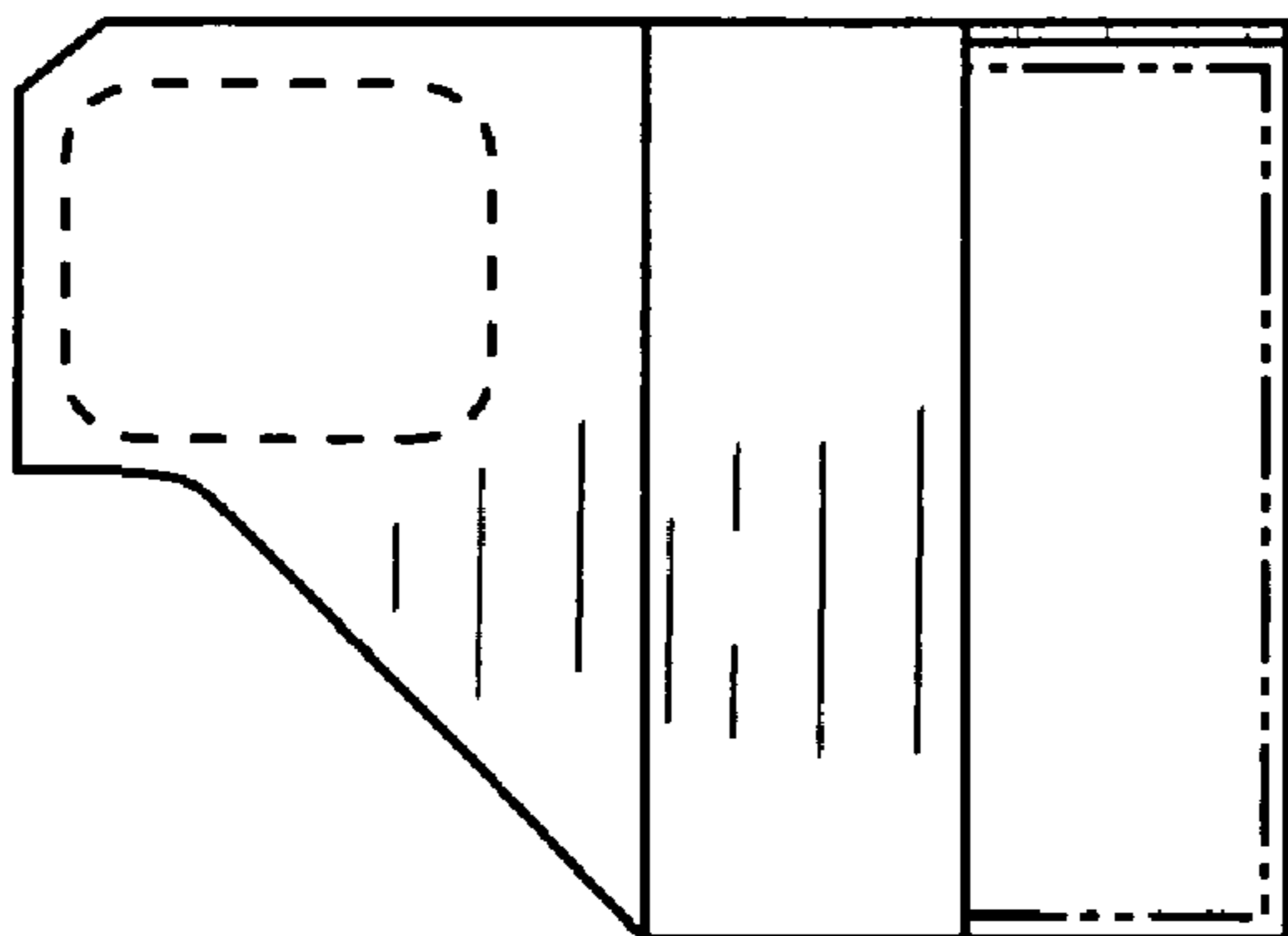


FIG. 2



FIG. 4

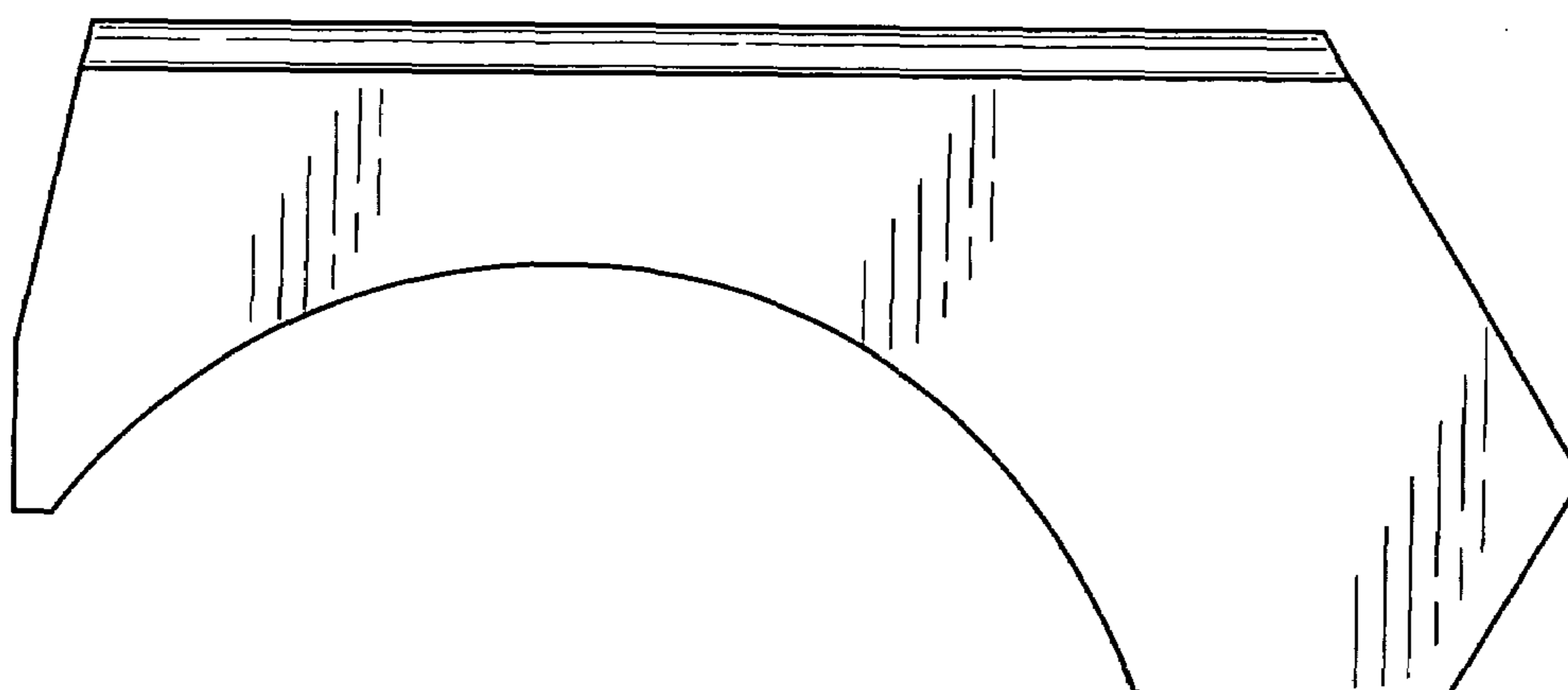


FIG. 5