



US00D592544S

(12) **United States Design Patent**
Edocs

(10) **Patent No.:** **US D592,544 S**

(45) **Date of Patent:** **** May 19, 2009**

(54) **CUFFLINK**

(75) Inventor: **Janos Pista Edocs**, Ipsach (CH)

(73) Assignee: **Milus International, S.A.** (CH)

(**) Term: **14 Years**

(21) Appl. No.: **29/302,395**

(22) Filed: **Jan. 16, 2008**

(51) **LOC (9) Cl.** **02-07**

(52) **U.S. Cl.** **D11/222**

(58) **Field of Classification Search** D11/200,
D11/213-216, 222-228; 24/41-47, 114.1,
24/114.8, 102 R, 102 P, 102 A; 63/26

See application file for complete search history.

(56) **References Cited**

U.S. PATENT DOCUMENTS

D377,919 S * 2/1997 Singer et al. D11/226

D415,068 S * 10/1999 Calvani D11/222

D449,564 S * 10/2001 Platt D11/222

D547,236 S * 7/2007 Arasheben et al. D11/222

* cited by examiner

Primary Examiner—Catherine R Oliver

(74) *Attorney, Agent, or Firm*—Galbreath Law Offices, P.C.;
John A. Galbreath

(57) **CLAIM**

The ornamental design for a cufflink, as shown and described.

DESCRIPTION

FIG. 1 is a perspective view of the cufflink showing my new design;

FIG. 2 is a second perspective view of the invention;

FIG. 3 is a top view of the invention;

FIG. 4 is a front view of the invention, with the rear view being the same; and,

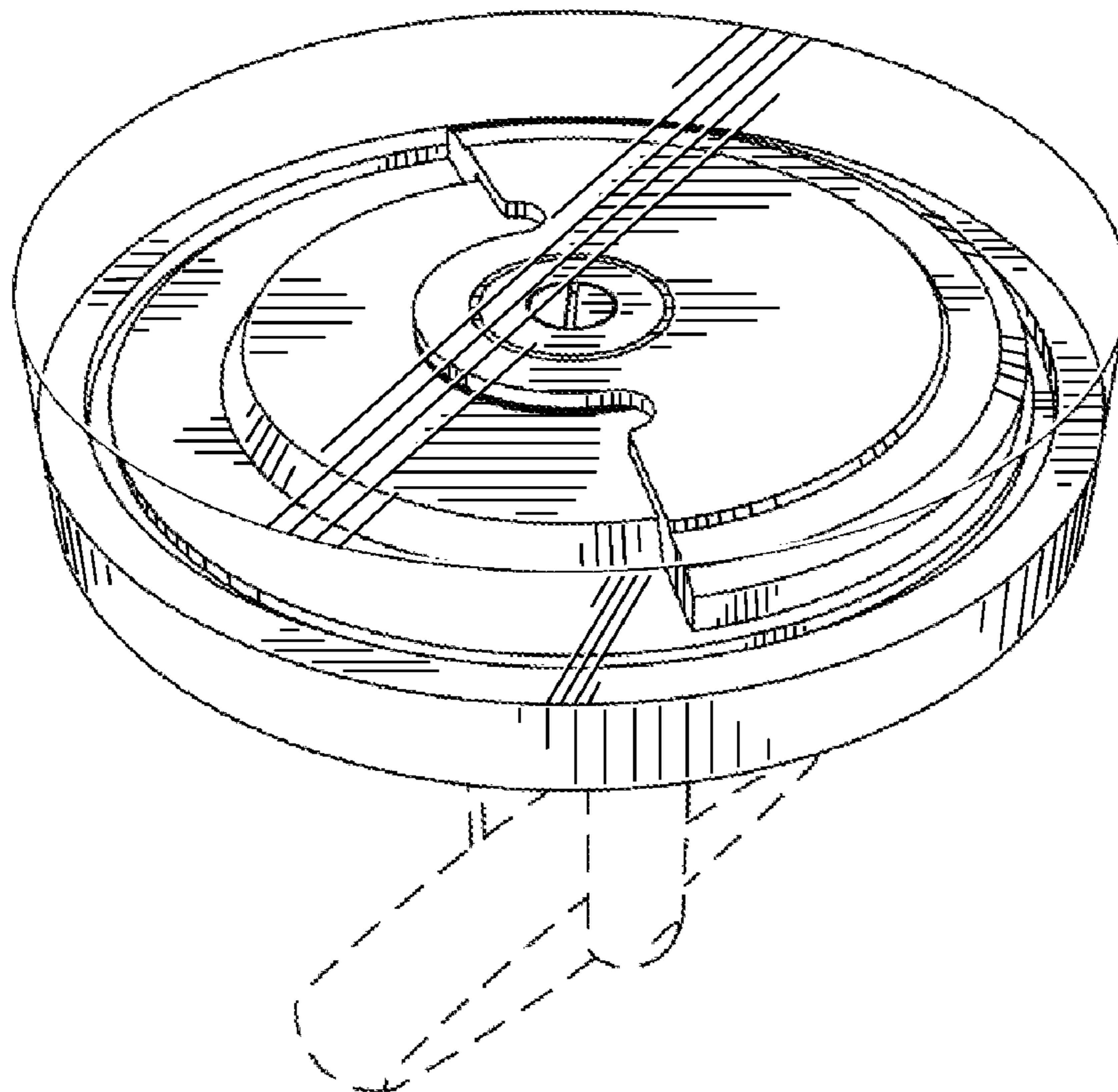
FIG. 5 is a side view of the invention, with the other side view being the same.

The broken line showing of environment in the drawings is for illustrative purposes only and forms no part of the claimed design.

A clear cover, through which the internal design is visible, is present on the face of the cufflink.

In addition, the particular visual features of the cufflink that are new and distinctive are indicated by the features in solid lines in the figures. The features shown by dashed lines in the figures are to be disregarded when construing visual features of the design.

1 Claim, 3 Drawing Sheets



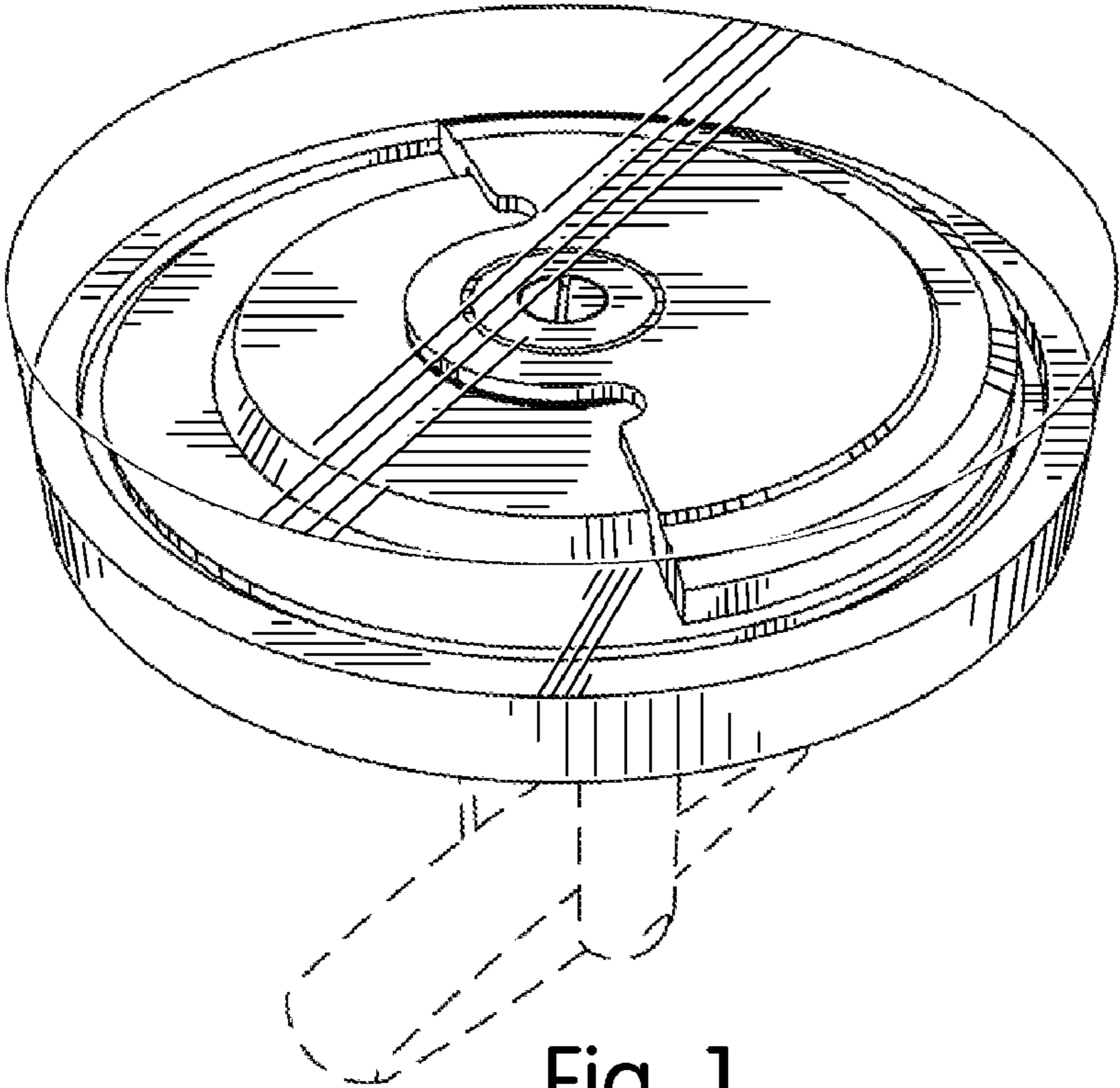


Fig. 1

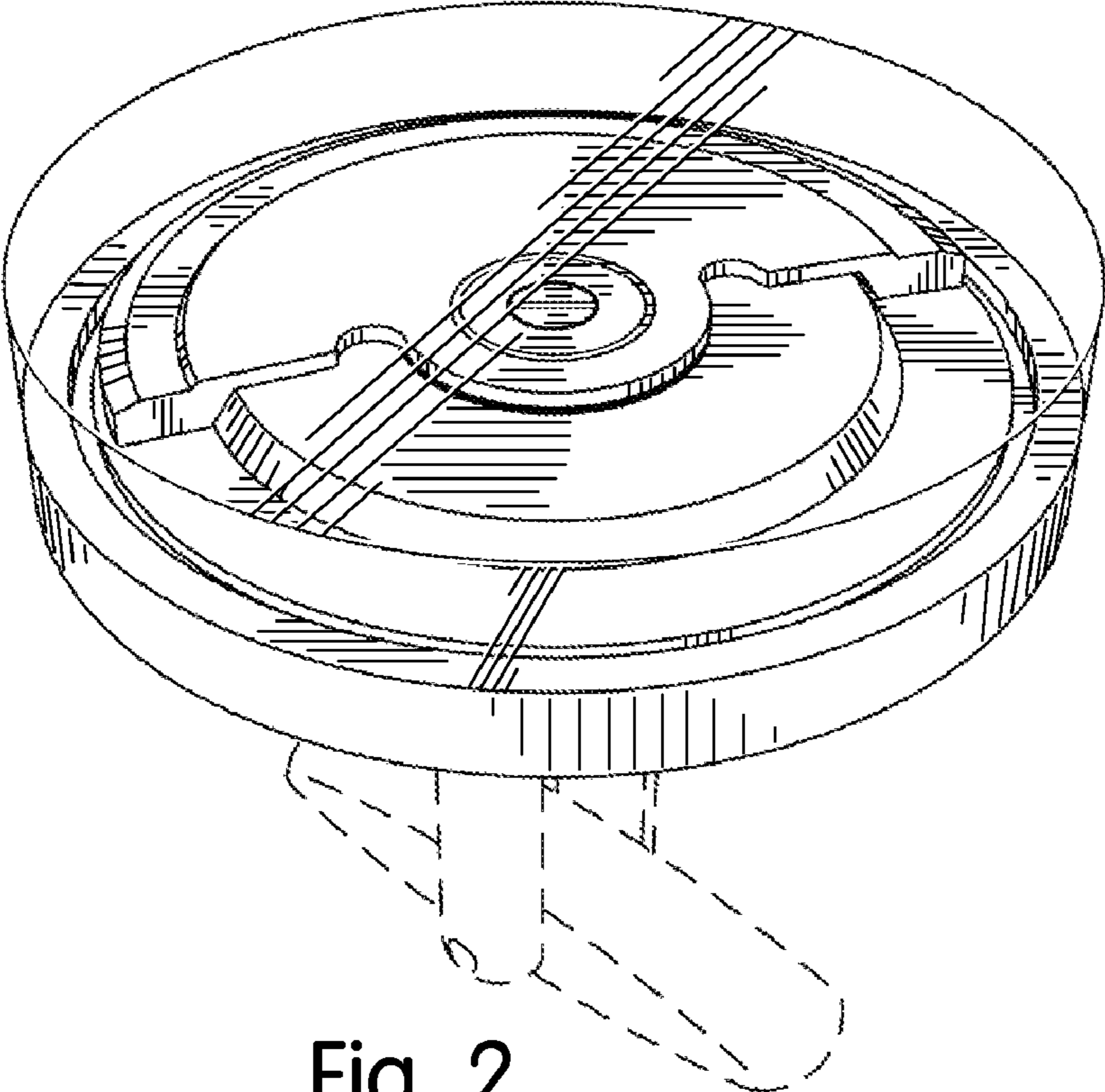


Fig. 2

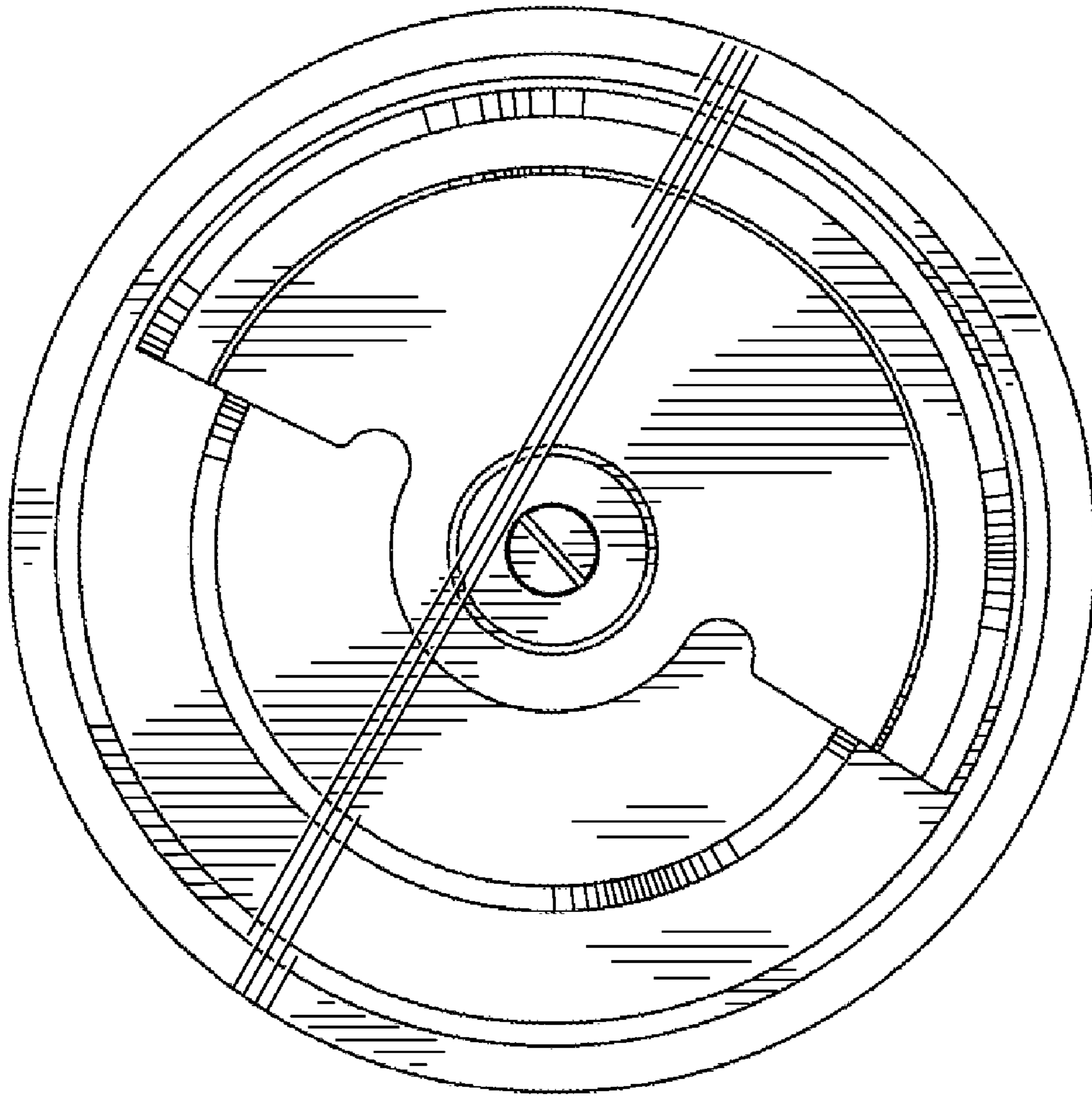


Fig. 3

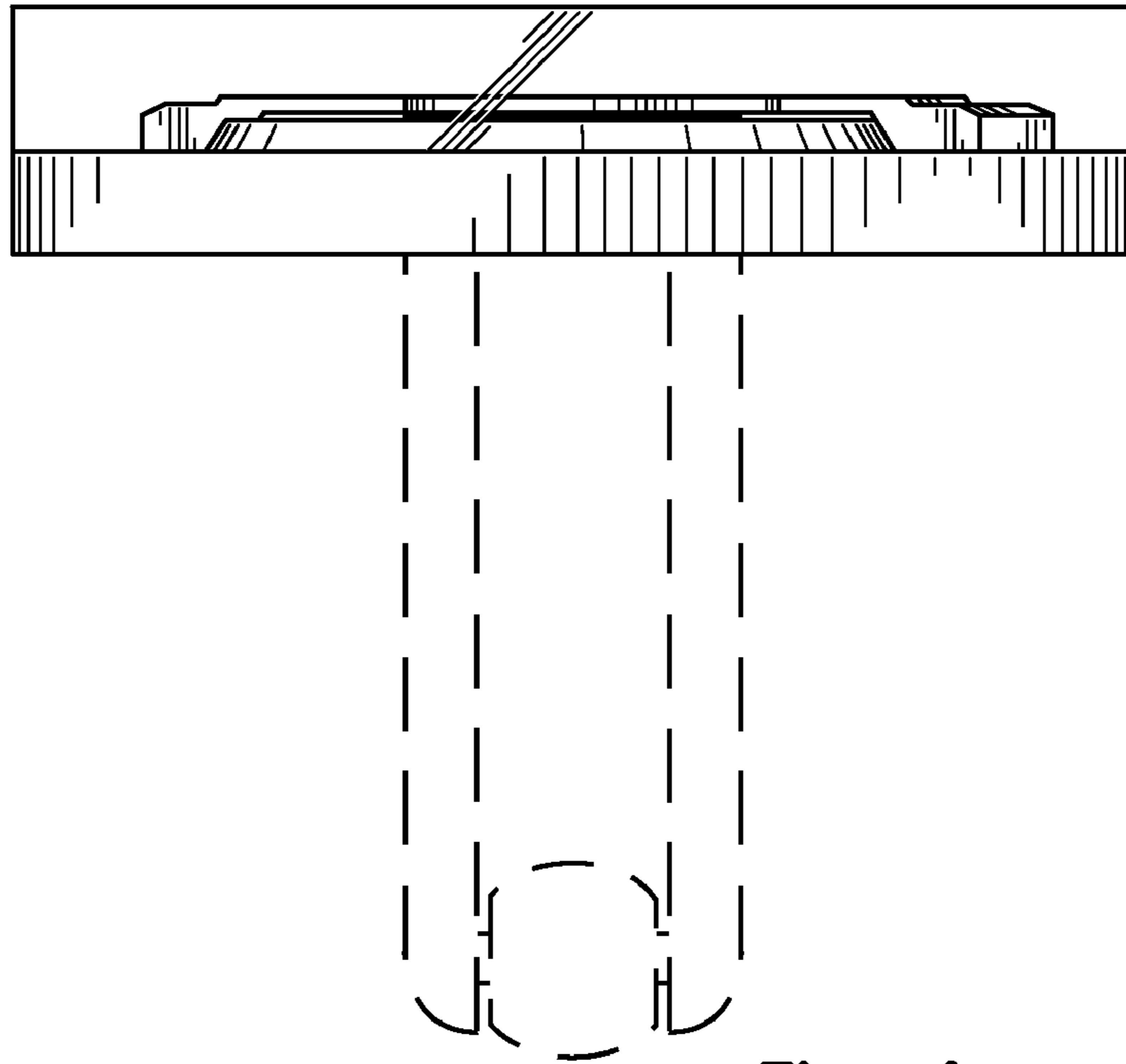


Fig. 4

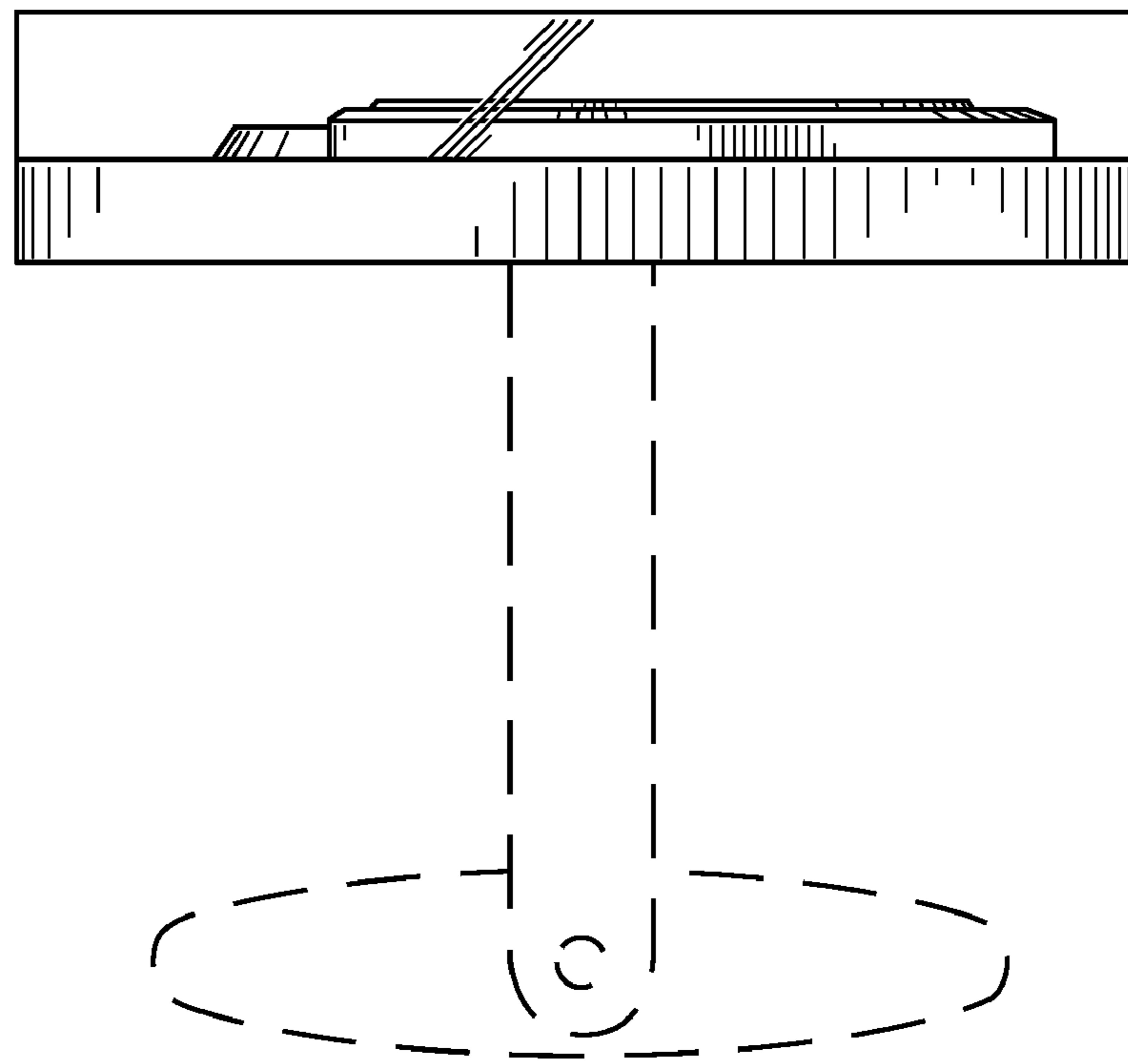


Fig. 5