

US00D592543S

(12) **United States Design Patent**
Kolasa

(10) **Patent No.:** **US D592,543 S**

(45) **Date of Patent:** **** May 19, 2009**

(54) **BUCKLE**

(75) **Inventor:** **Scott D. Kolasa**, Mount Prospect, IL
(US)

(73) **Assignee:** **Illnois Tool Works Inc.**, Glenview, IL
(US)

(**) **Term:** **14 Years**

(21) **Appl. No.:** **29/323,227**

(22) **Filed:** **Aug. 21, 2008**

(51) **LOC (9) Cl.** **02-07**

(52) **U.S. Cl.** **D11/216**

(58) **Field of Classification Search** D11/1-2,
D11/200-201, 203-206, 210, 212, 214-219,
D11/222, 224, 226; 24/163 R, 169-171,
24/173, 177-179, 191, 194-195, 197, 200,
24/614, 631

See application file for complete search history.

(56) **References Cited**

U.S. PATENT DOCUMENTS

- D342,465 S * 12/1993 Anthony et al. D11/218
- 6,363,590 B1 * 4/2002 Lan 24/614
- 6,463,638 B1 * 10/2002 Pontaoe 24/614
- D474,714 S * 5/2003 Karlsson et al. D11/216
- D515,456 S * 2/2006 Gastaldi D11/216
- D519,406 S * 4/2006 Merrill et al. D11/216

- D535,214 S * 1/2007 Kolasa D11/216
- D580,820 S * 11/2008 Daykin D11/216
- 2007/0261217 A1 11/2007 Buscart

OTHER PUBLICATIONS

Prior Buckle Devices, 1 Sheet.

* cited by examiner

Primary Examiner—R. Seifert

(74) *Attorney, Agent, or Firm*—Mark W. Croll; Paul F. Donovan

(57) **CLAIM**

The ornamental design for a buckle, as shown and described.

DESCRIPTION

FIG. 1 is a perspective view of a buckle showing the new design;

FIG. 2 is a top plan view thereof;

FIG. 3 is a bottom plan view thereof;

FIG. 4 is a left side elevational view;

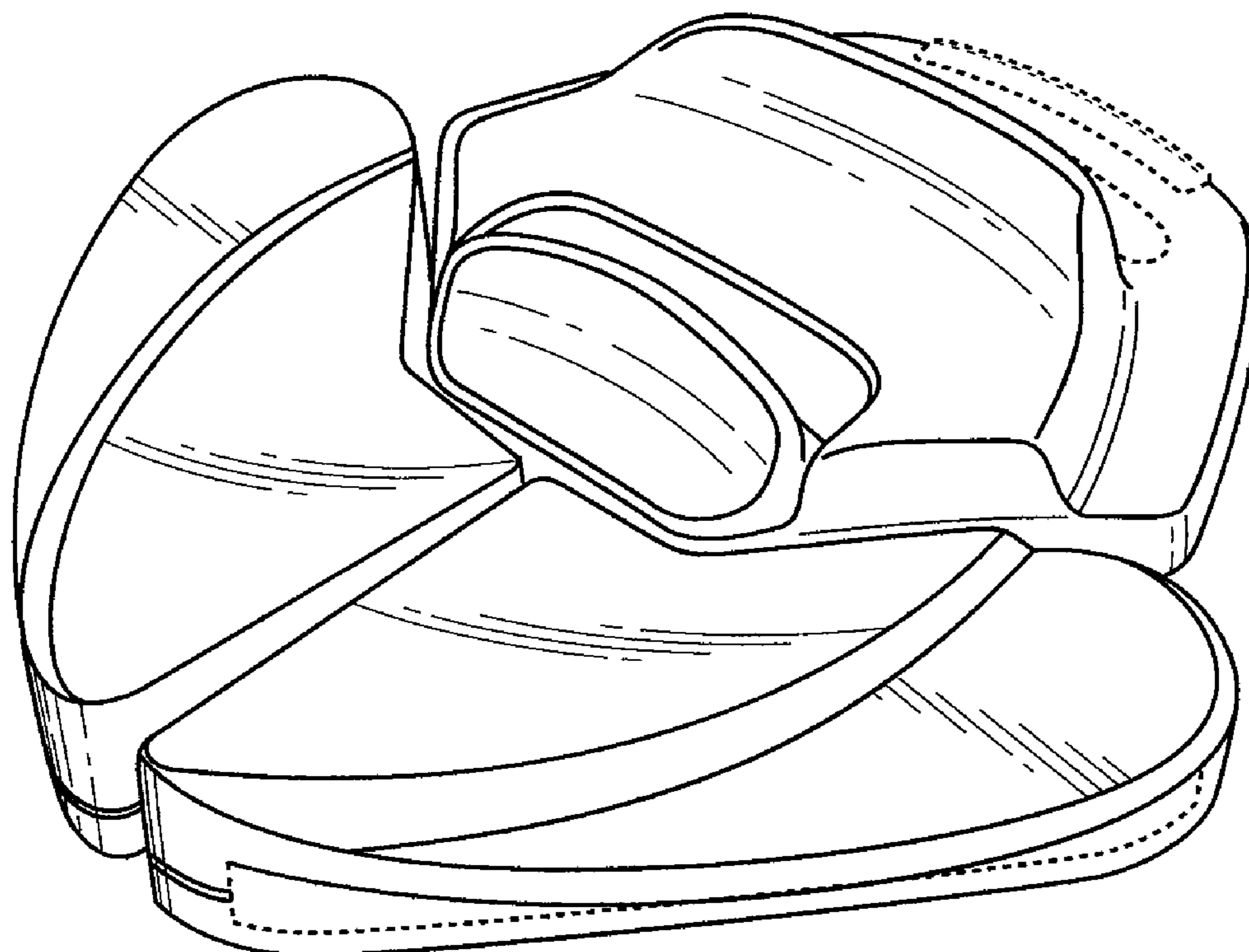
FIG. 5 is a right side elevational view;

FIG. 6 is a front elevational view thereof; and,

FIG. 7 is a back elevational view thereof.

The broken line portions of the disclosure are for illustrative purposes only and form no part of the claimed design.

1 Claim, 5 Drawing Sheets



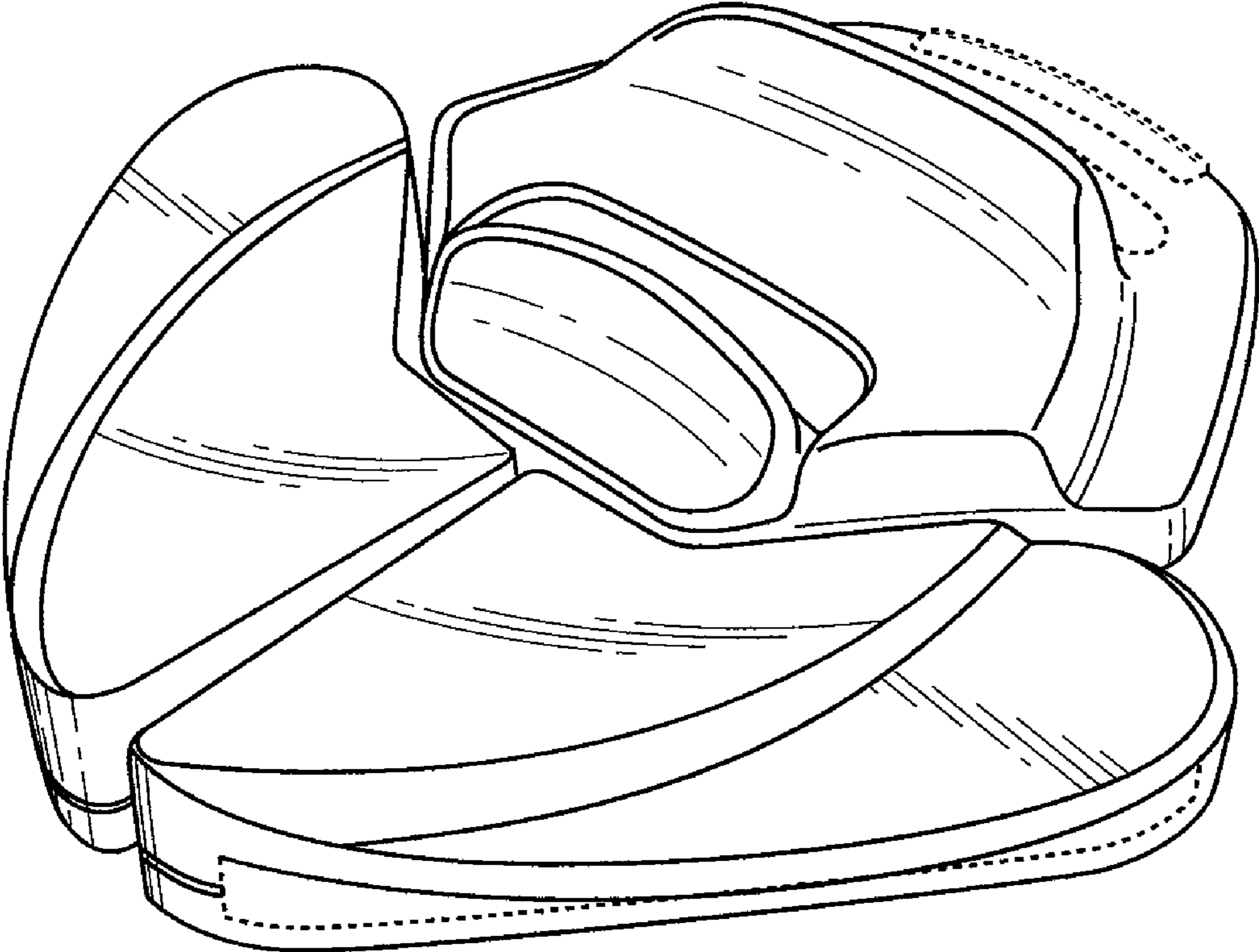


Fig. 1

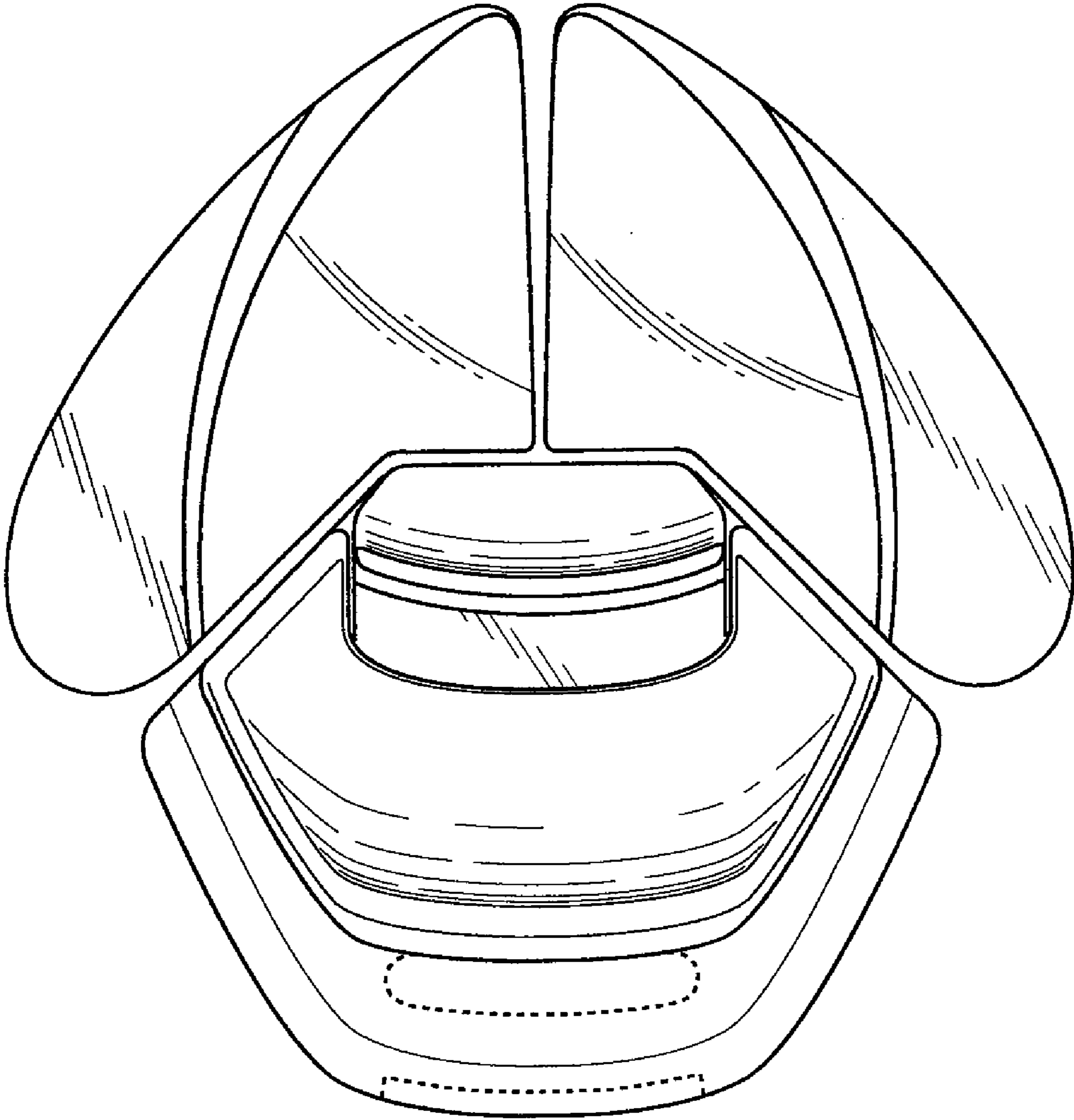


Fig. 2

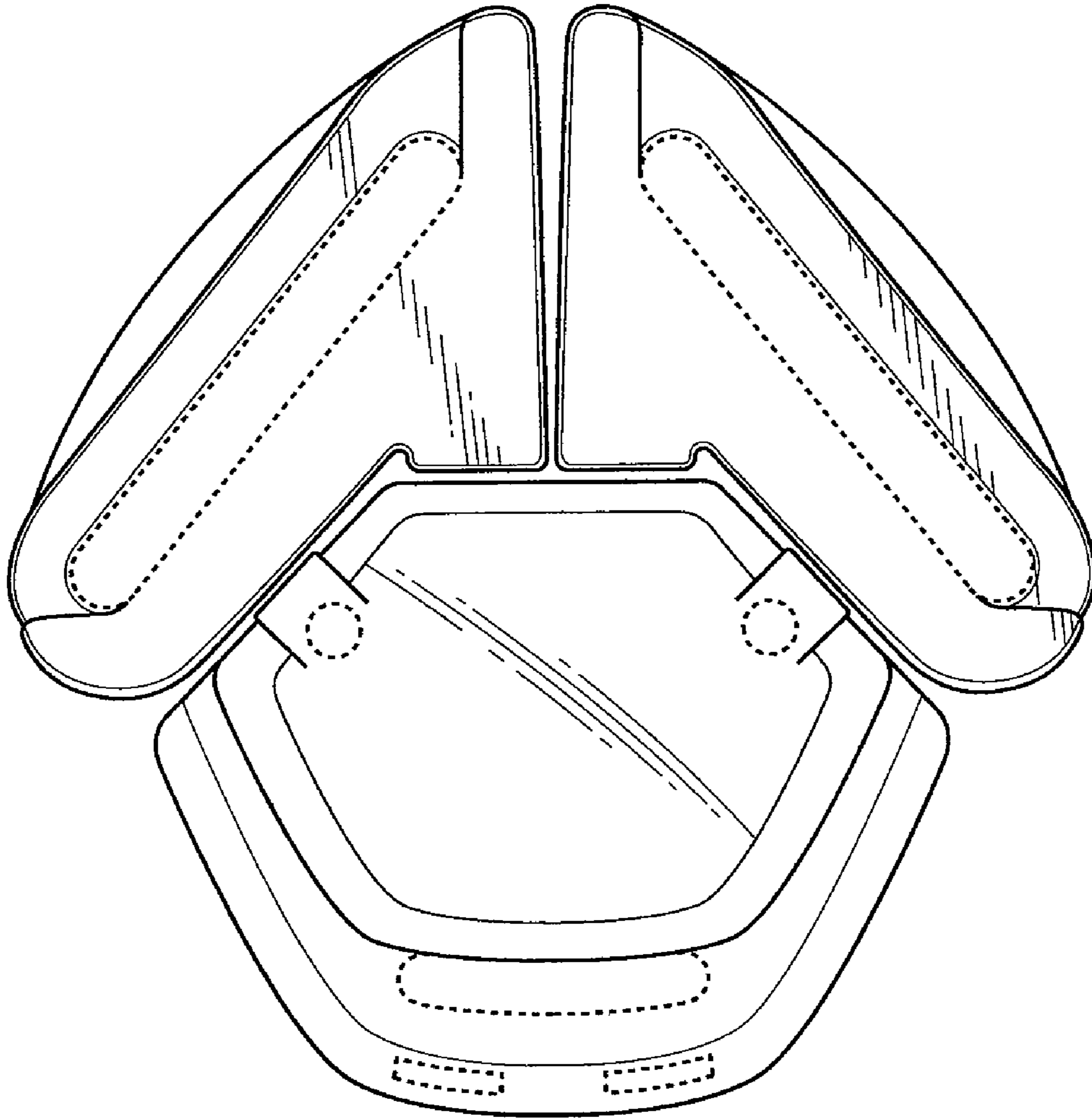


Fig. 3

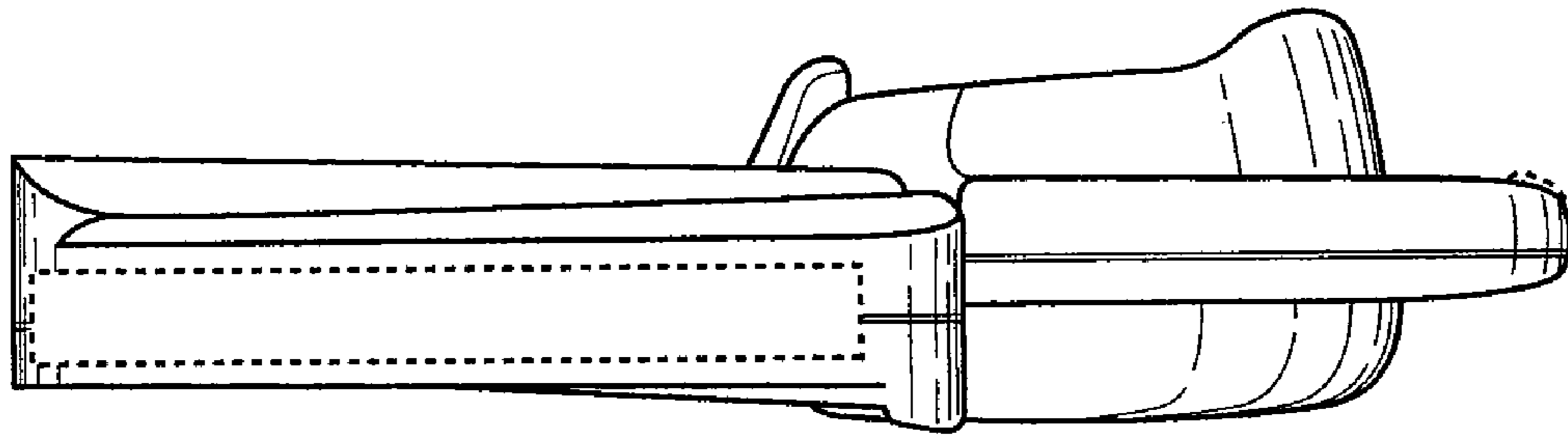


Fig. 4

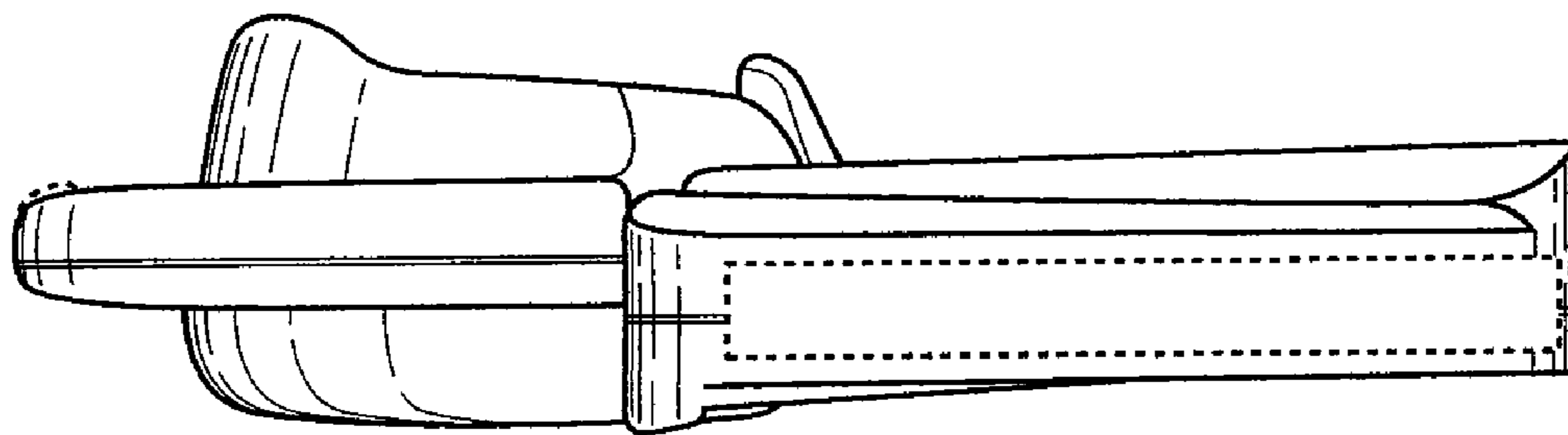


Fig. 5

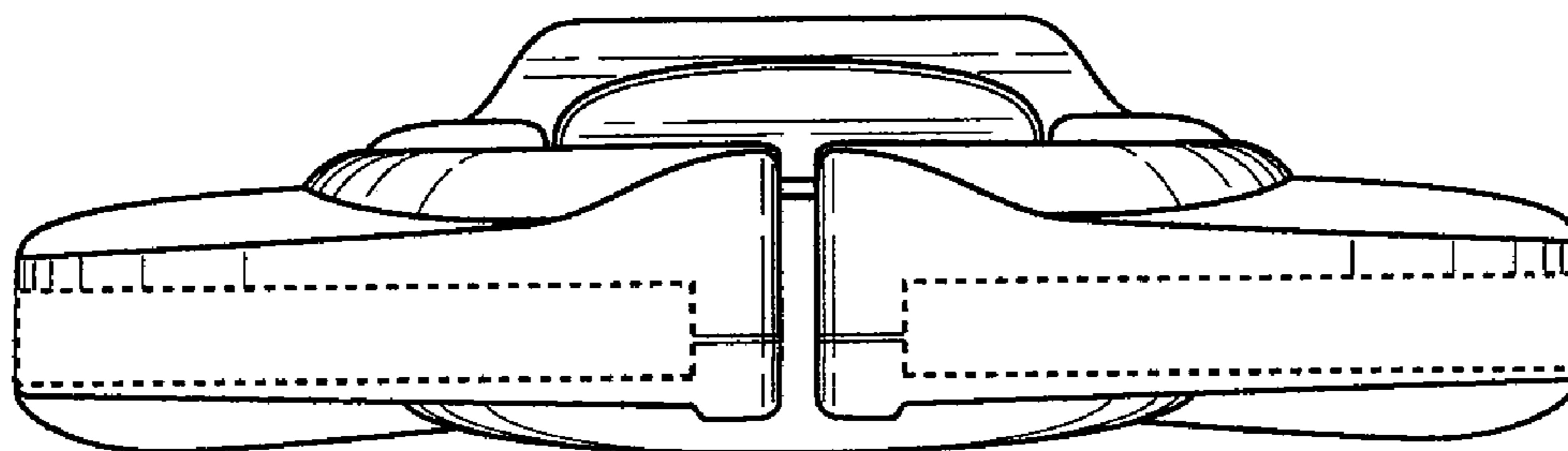


Fig. 6

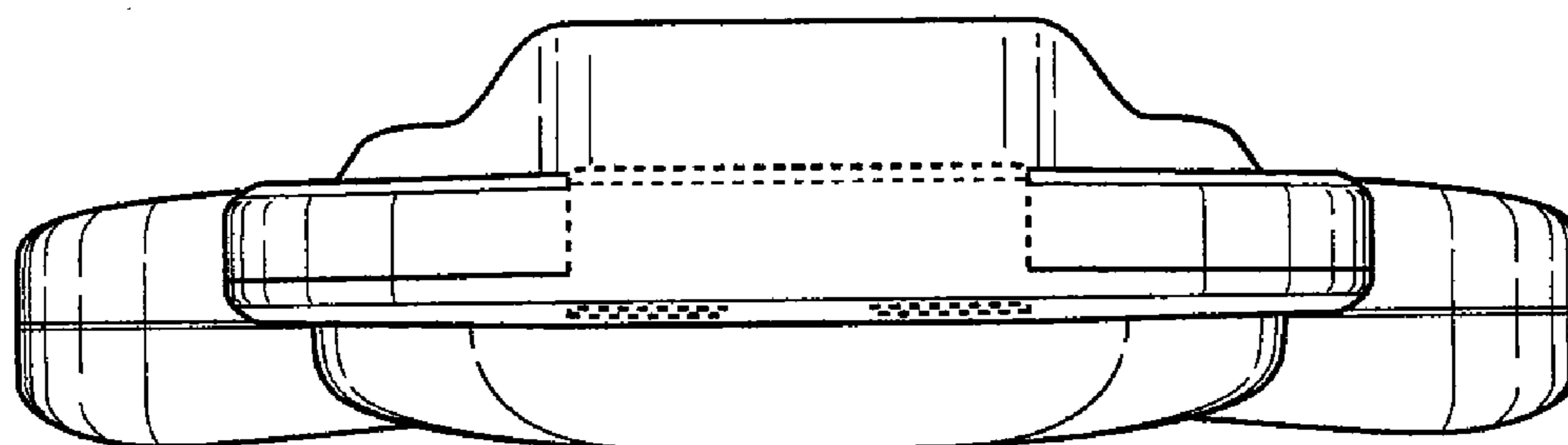


Fig. 7