

US00D592534S

(12) **United States Design Patent**
Kousuge

(10) **Patent No.:** **US D592,534 S**

(45) **Date of Patent:** **** May 19, 2009**

(54) **ELECTRONIC SCALE**

(75) Inventor: **Rie Kousuge, Yashio (JP)**

(73) Assignee: **Tanita Corporation, Tokyo (JP)**

(**) Term: **14 Years**

(21) Appl. No.: **29/319,951**

(22) Filed: **Jun. 18, 2008**

(30) **Foreign Application Priority Data**

Dec. 25, 2007 (JP) 2007-35309

(51) **LOC (9) Cl.** **10-04**

(52) **U.S. Cl.** **D10/91**

(58) **Field of Classification Search** D10/88-94;
177/210 R, 210 C, 210 GM, 210 PP, 236,
177/245, DIG. 3, 25.12-25.18, 177, 126,
177/1, 181, 25, 30, 127, 131, 148, 225, 21 EM,
177/21 FP, 212-214, 211; 600/506, 547

See application file for complete search history.

(56) **References Cited**

U.S. PATENT DOCUMENTS

D478,826 S *	8/2003	Barnes	D10/91
D489,635 S *	5/2004	Thadani	D10/91
D492,609 S *	7/2004	Sato	D10/91
D498,155 S *	11/2004	Sato et al.	D10/92
2004/0035614 A1 *	2/2004	Zhang	177/180

* cited by examiner

Primary Examiner—Antoine D Davis

(74) *Attorney, Agent, or Firm*—Frishauf, Holtz, Goodman & Chick, P.C.

(57) **CLAIM**

The ornamental design for an electronic scale, as shown and described.

DESCRIPTION

FIG. 1 is a front, right side, bottom perspective view of an electronic scale showing my new design;

FIG. 2 is a front elevational view thereof;

FIG. 3 is a rear elevational view thereof;

FIG. 4 is a left side view thereof;

FIG. 5 is a right side view thereof;

FIG. 6 is a top plan view thereof;

FIG. 7 is a bottom plan view thereof;

FIG. 8 is a rear, left side, bottom perspective view thereof;

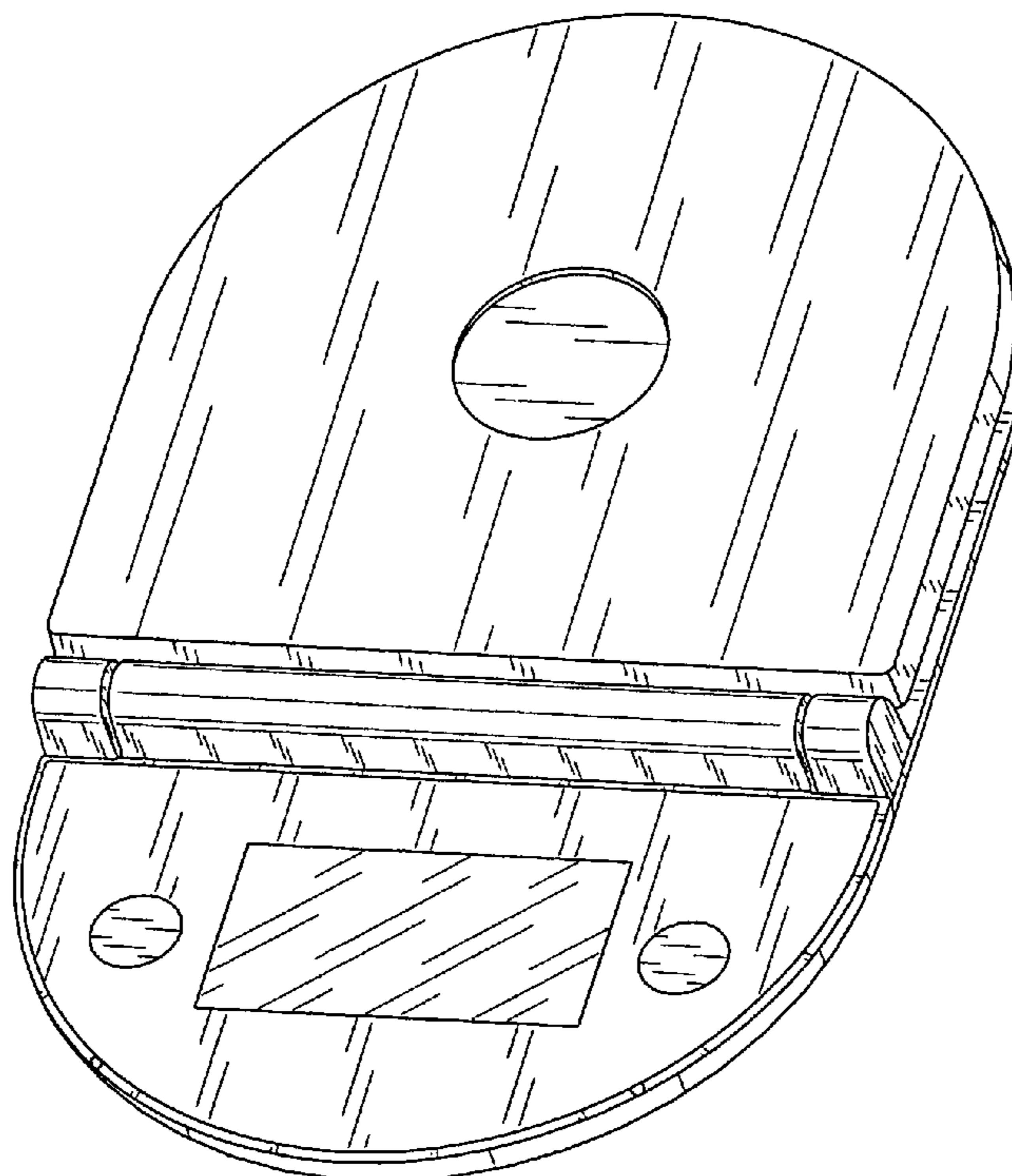
FIG. 9 is a front elevational view thereof showing a state in which this article is folded;

FIG. 10 is a right side view thereof showing a state in which this article is folded;

FIG. 11 is a front, right side, bottom perspective view thereof showing a state in which this article is folded; and,

FIG. 12 is a rear, left side, bottom perspective view thereof showing a state in which this article is folded.

1 Claim, 11 Drawing Sheets



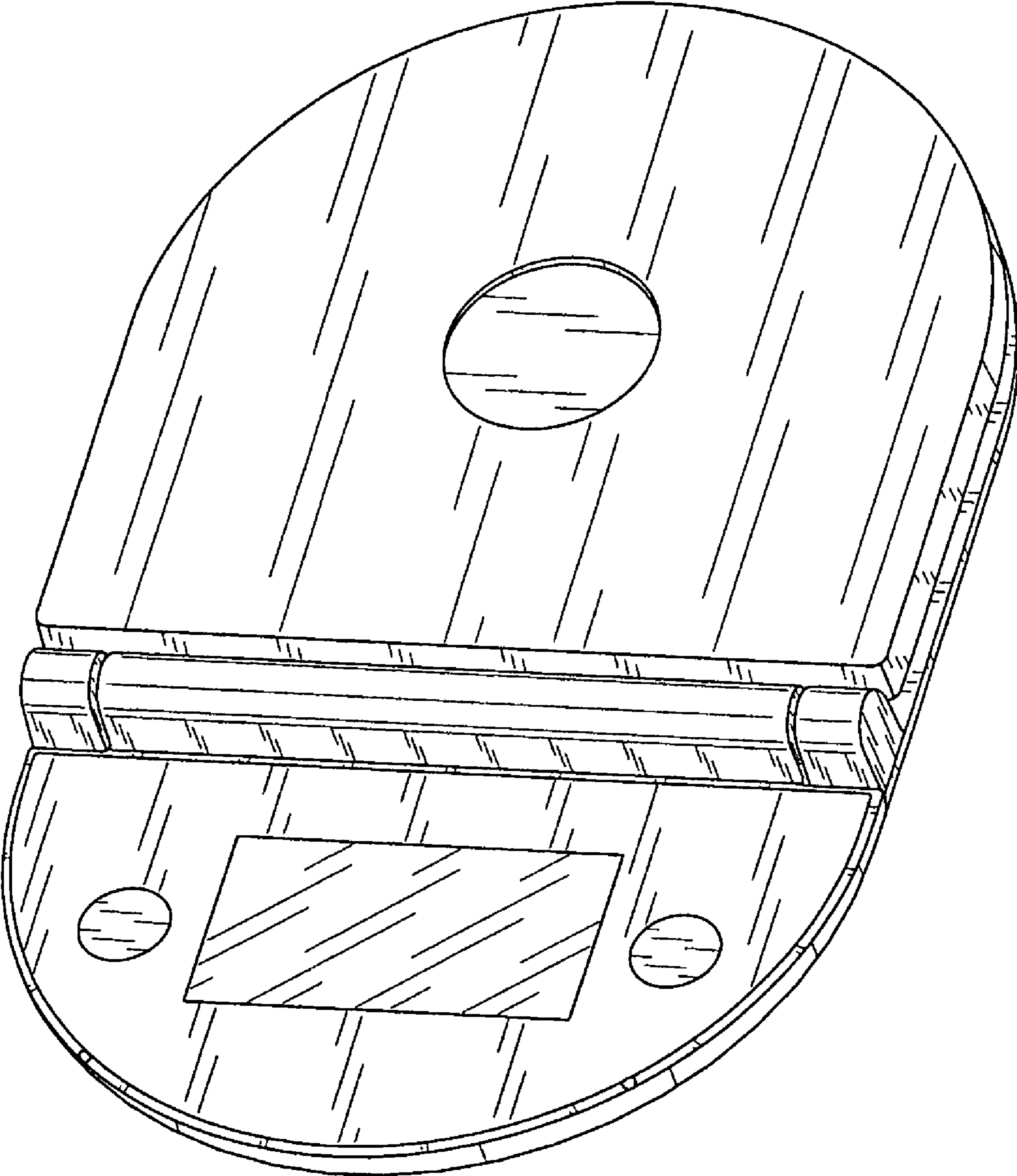


FIG. 1

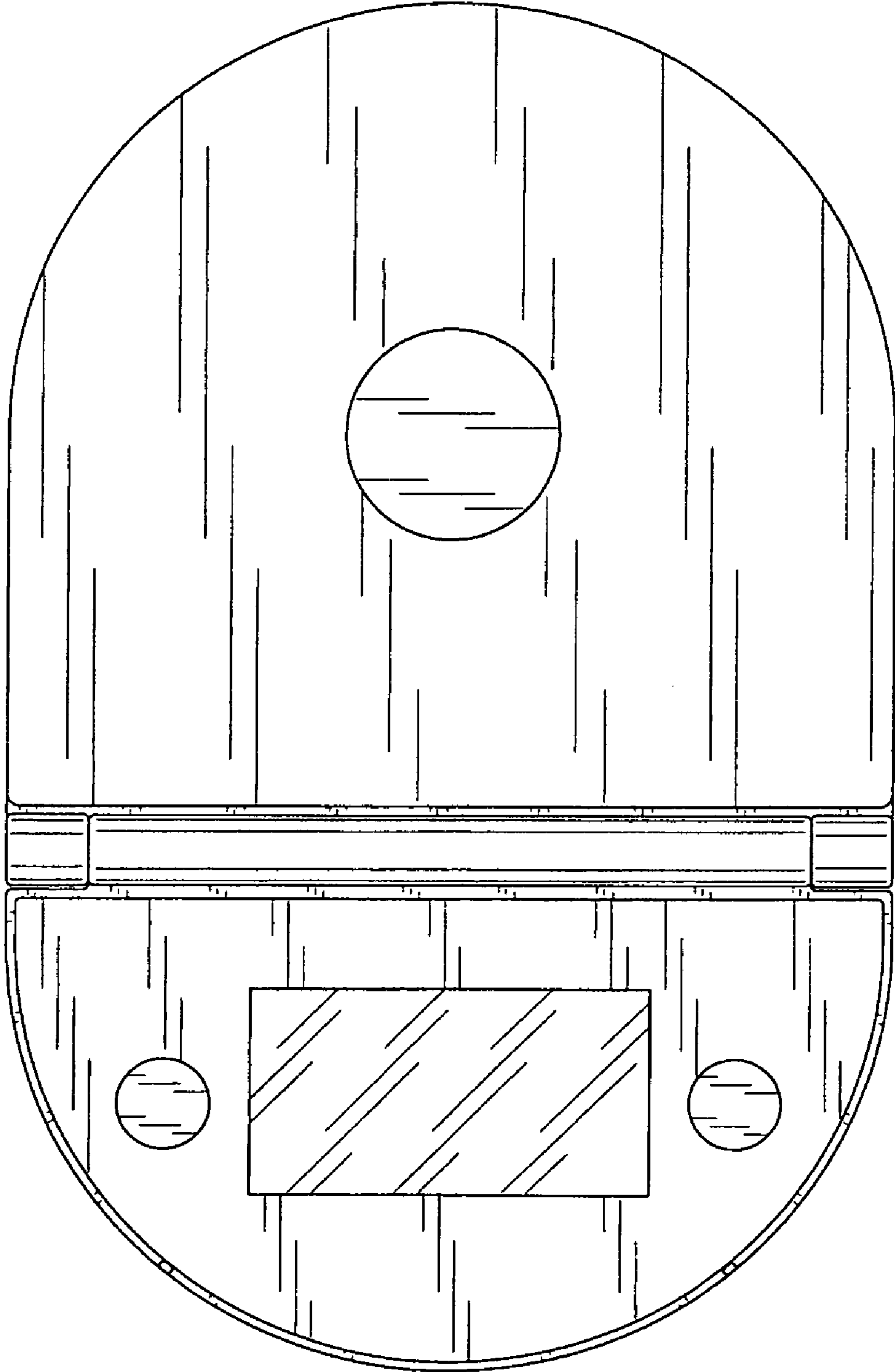


FIG. 2

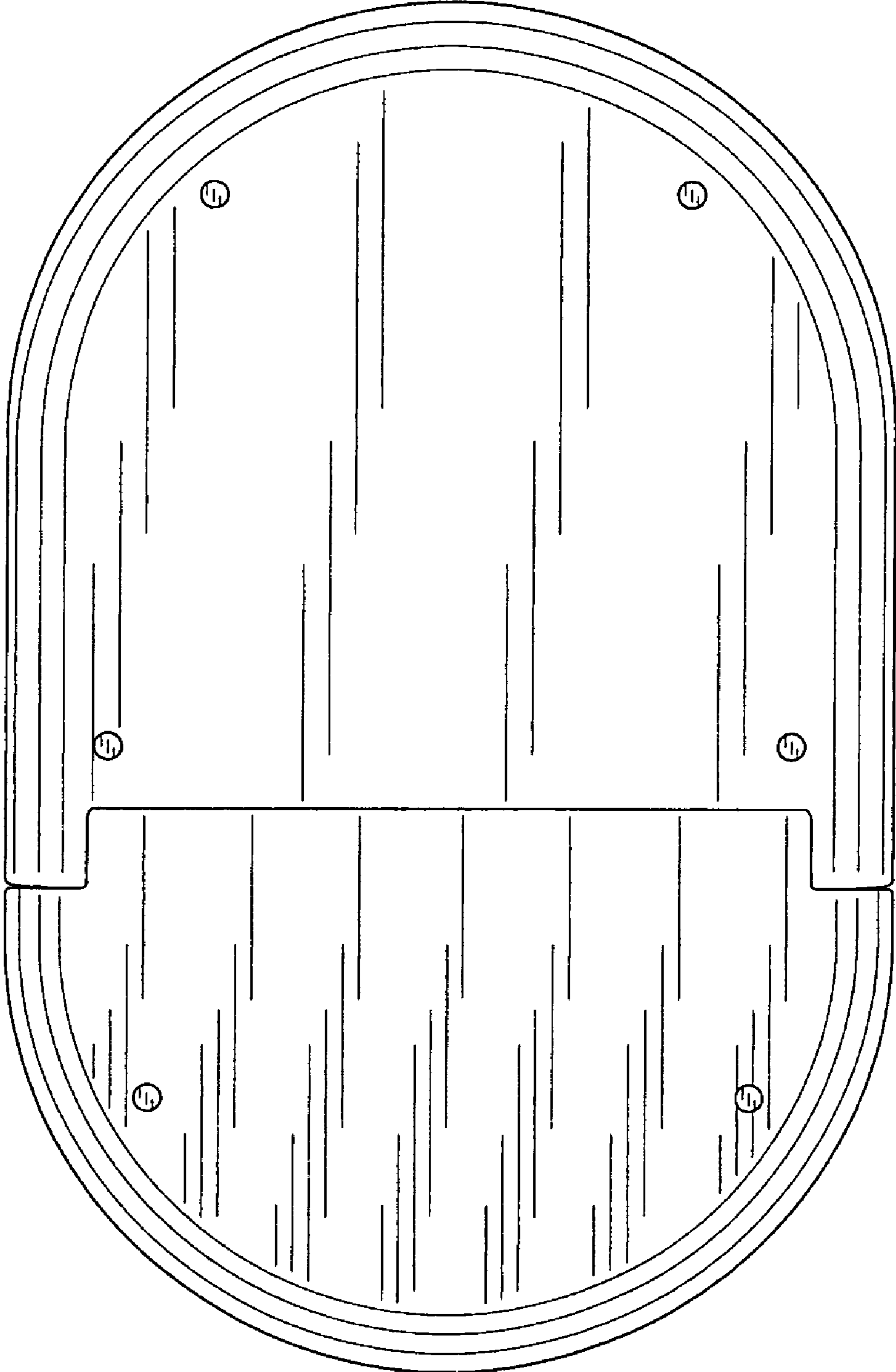


FIG. 3

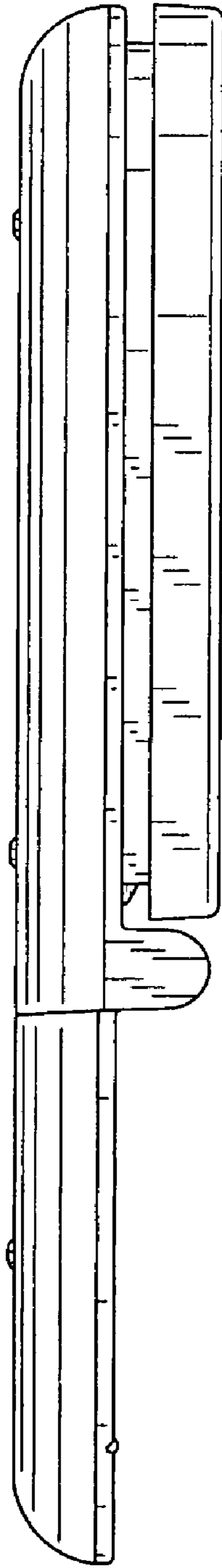


FIG. 4

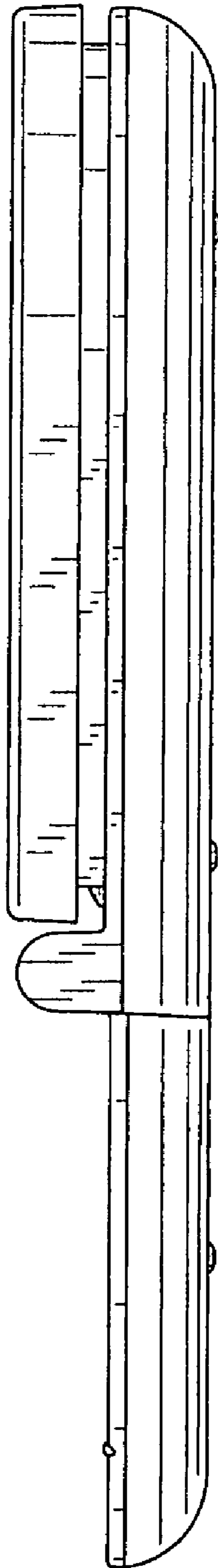


FIG. 5

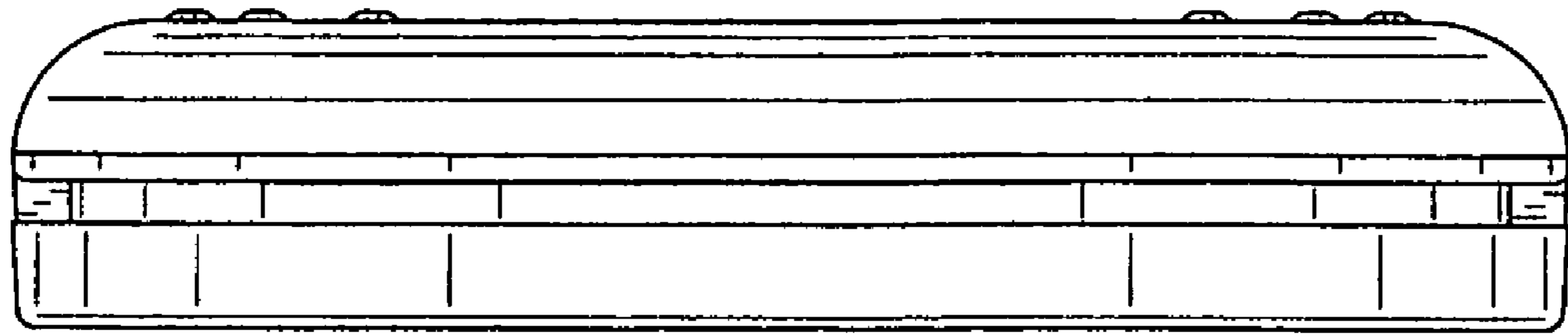


FIG. 6

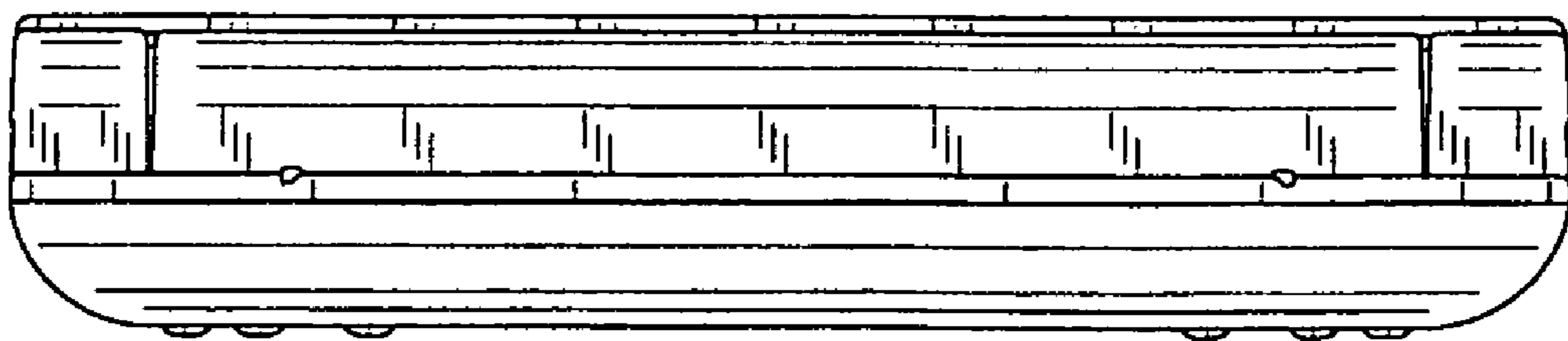


FIG. 7

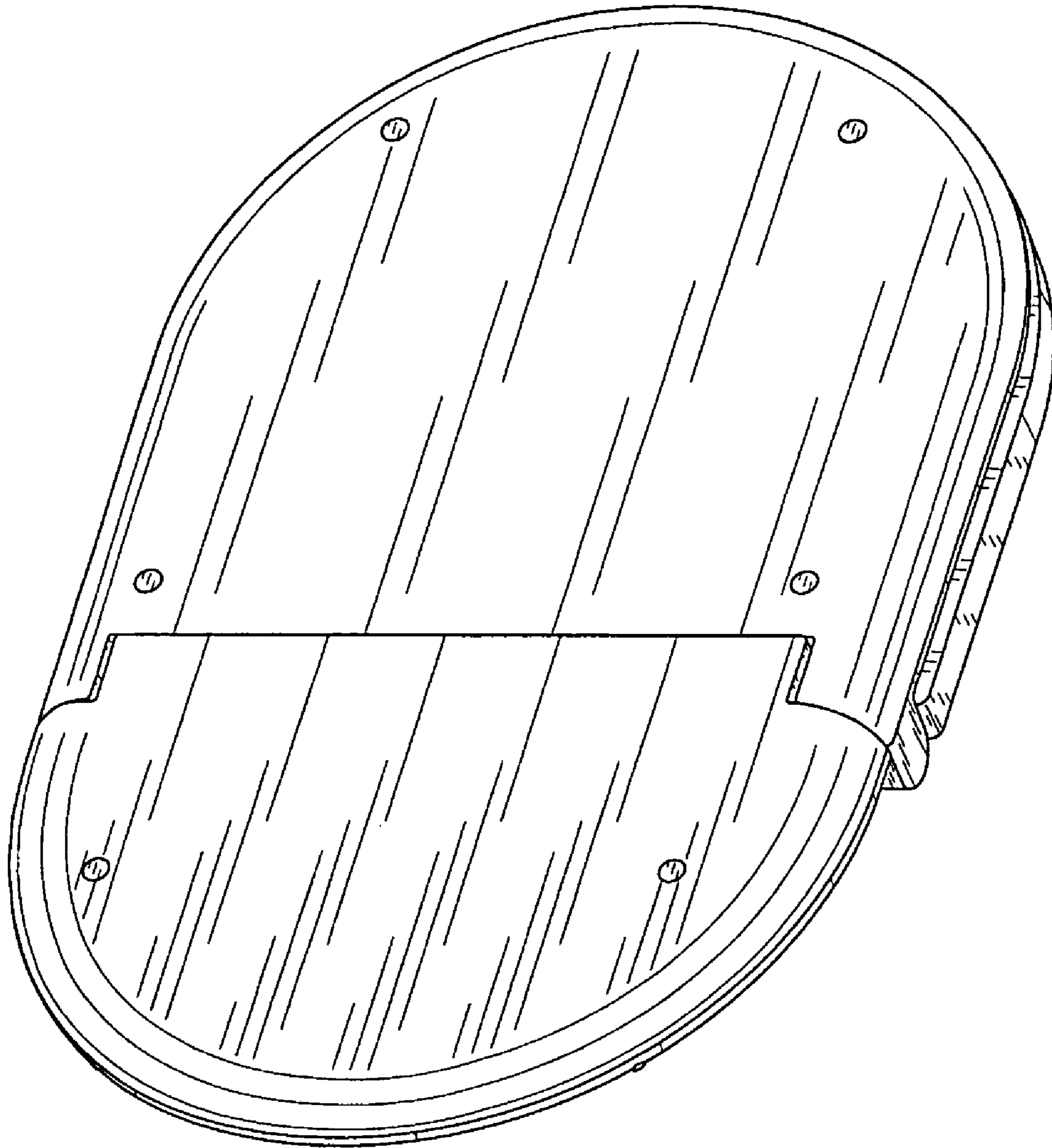


FIG. 8

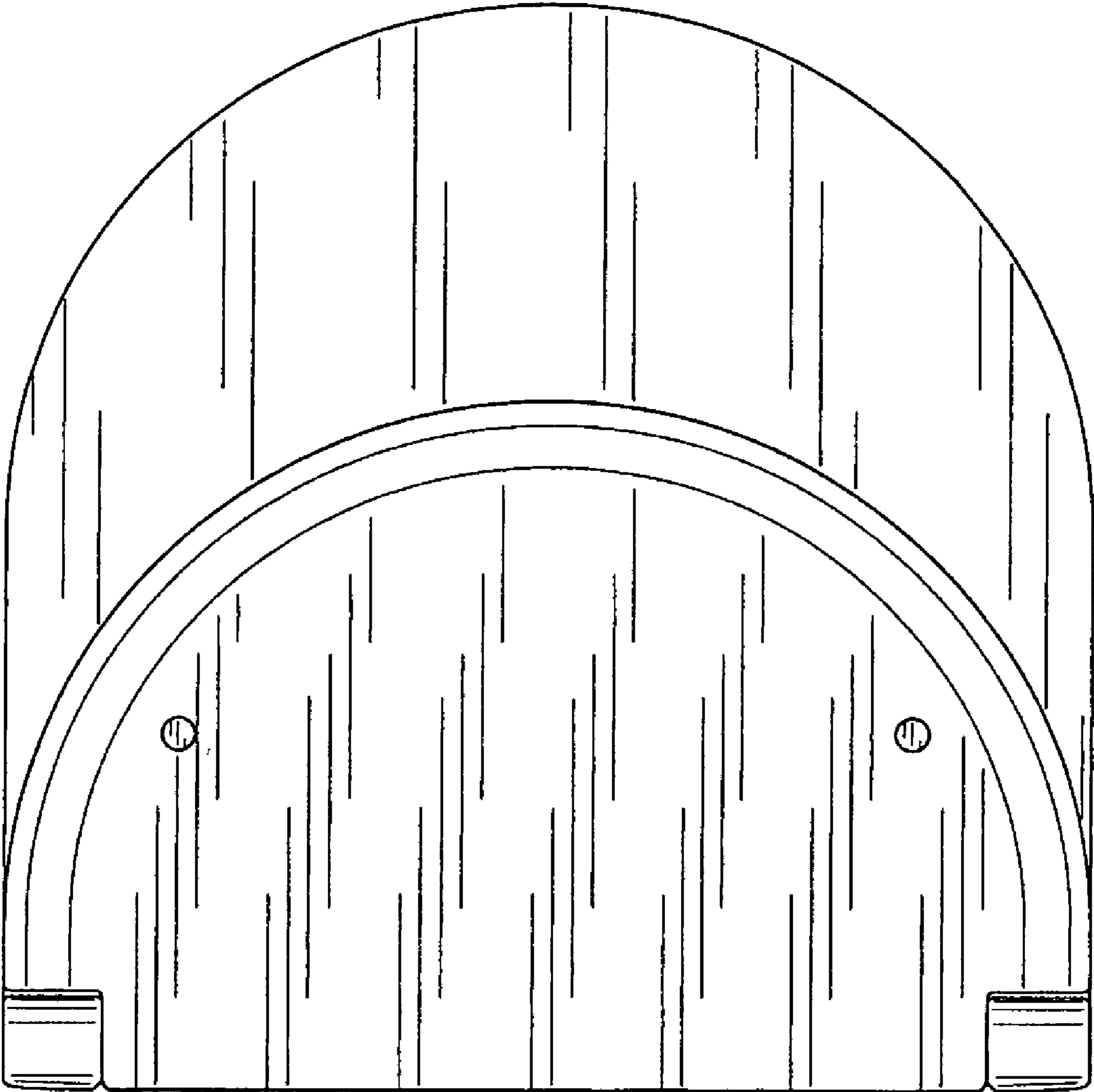


FIG. 9

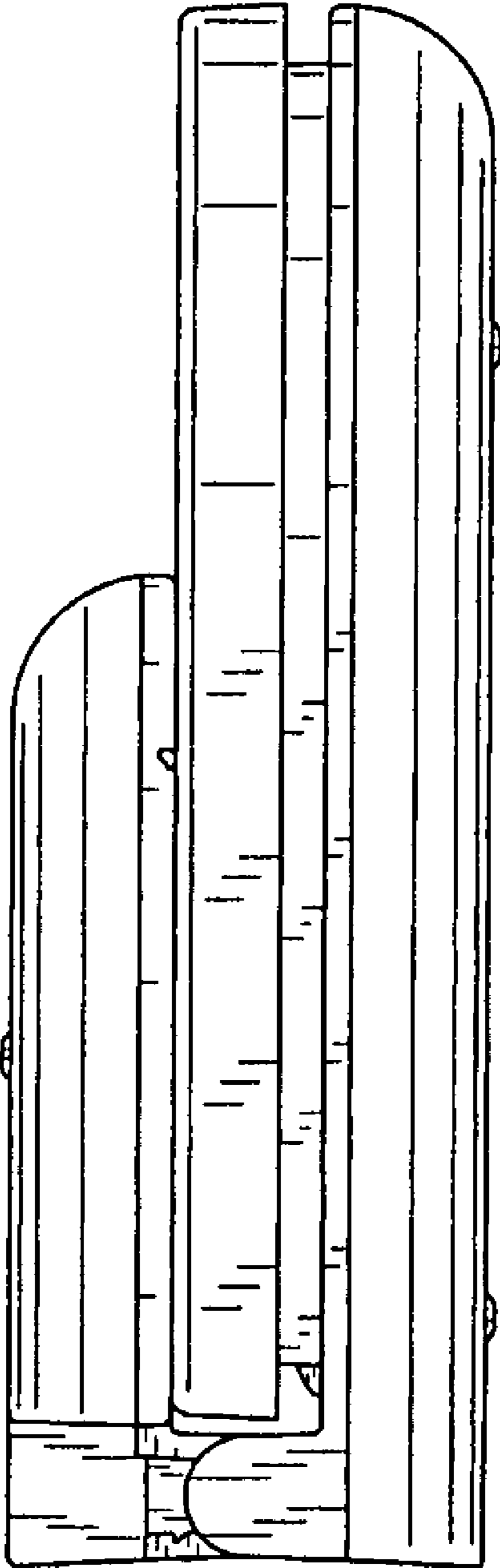


FIG. 10

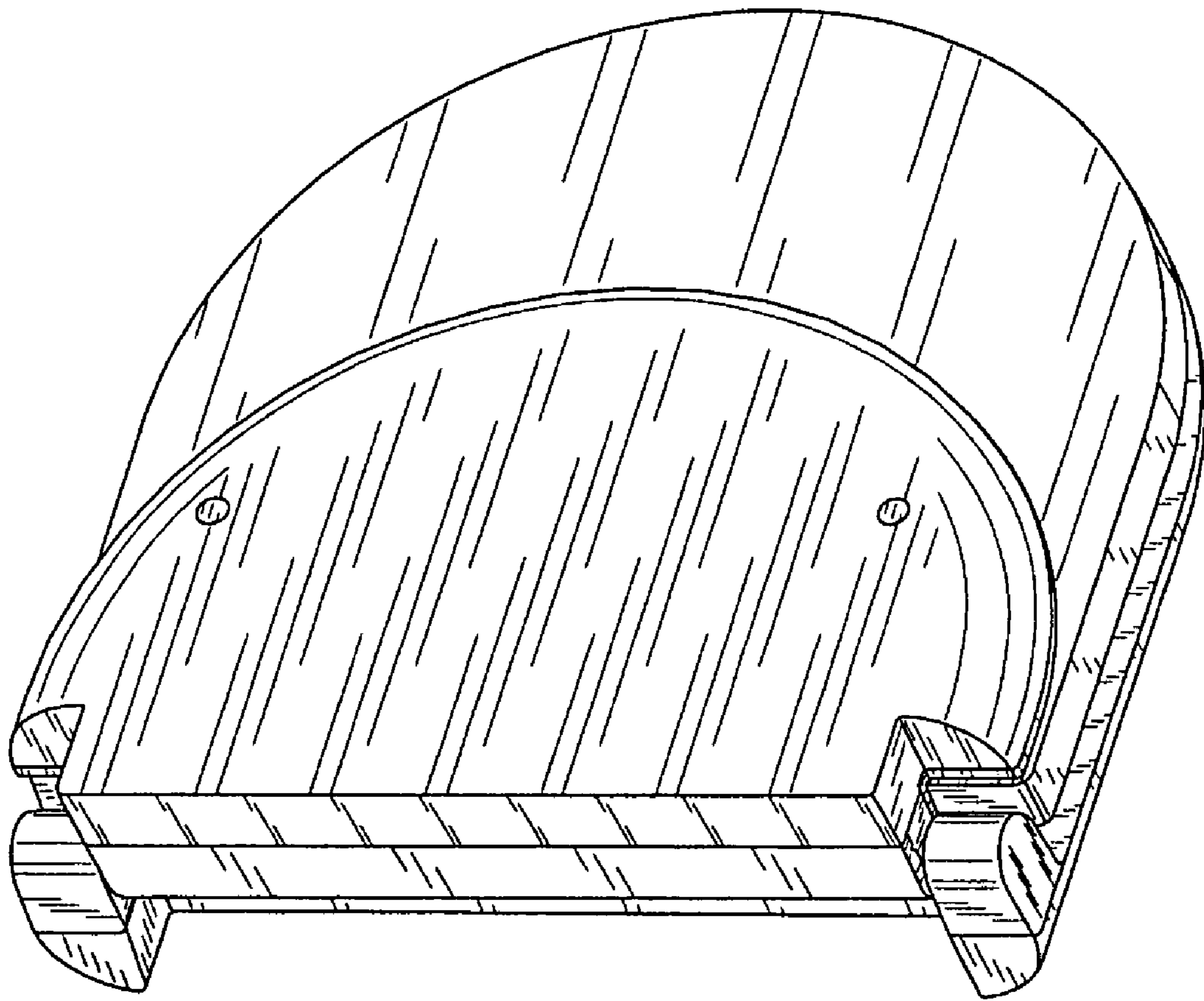


FIG. 11

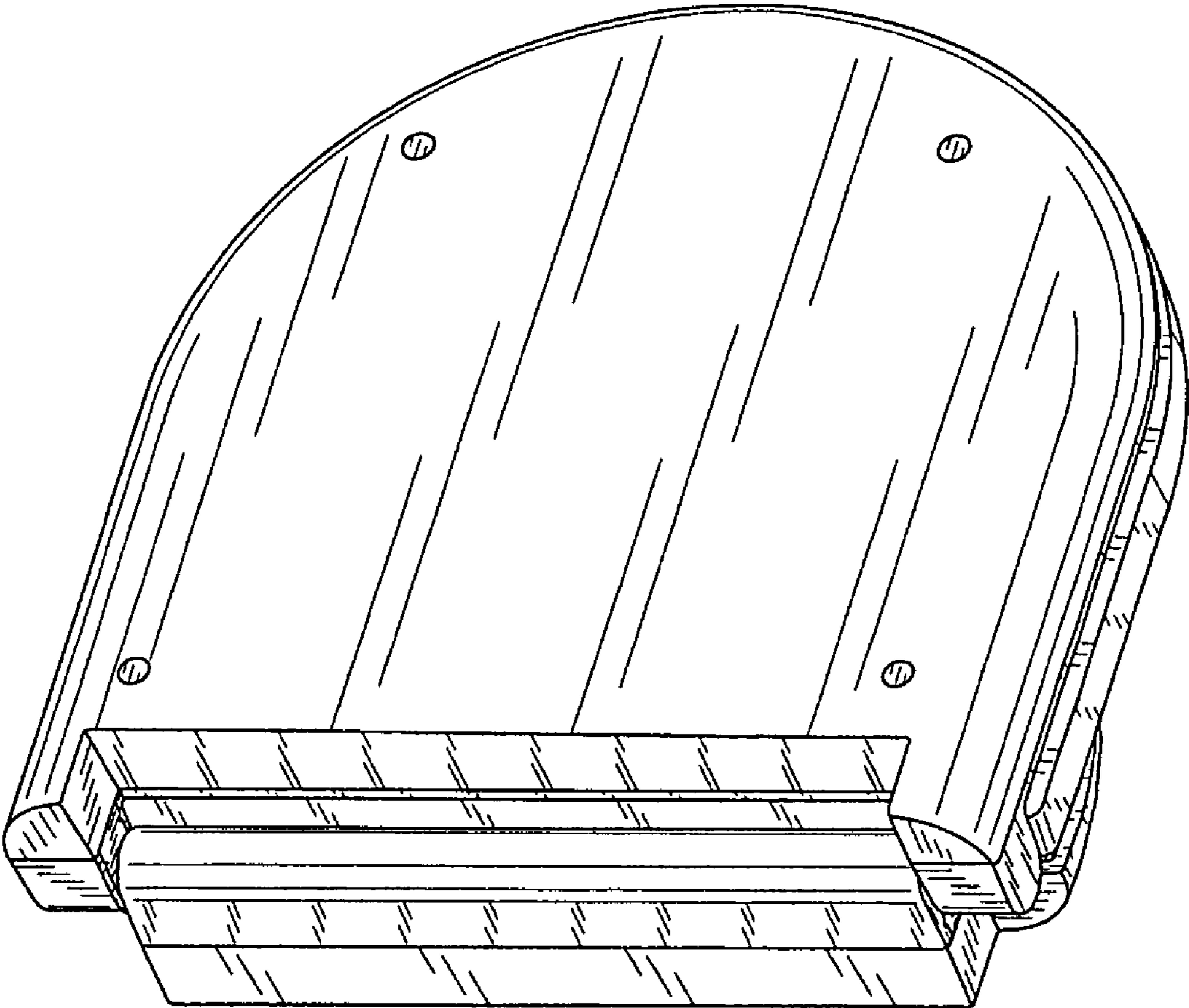


FIG. 12