



US00D592531S

(12) **United States Design Patent**
Wunderman

(10) **Patent No.:** **US D592,531 S**

(45) **Date of Patent:** **** May 19, 2009**

(54) **WRISTWATCH**

(75) Inventor: **Severin S. Wunderman**, Los Angeles,
CA (US)

(73) Assignee: **Montres Corum Sarl**, La
Chaux-De-Fonds (CH)

(**) Term: **14 Years**

(21) Appl. No.: **29/287,781**

(22) Filed: **Sep. 19, 2007**

(30) **Foreign Application Priority Data**

Apr. 10, 2007 (CH) 133 865

(51) **LOC (9) Cl.** **10-02**

(52) **U.S. Cl.** **D10/39**

(58) **Field of Classification Search** D10/30-39,
D10/122-132; 368/276, 281, 282, 285, 308,
368/319, 28, 80, 223, 228, 232, 294, 295,
368/288; D11/3

See application file for complete search history.

(56) **References Cited**

U.S. PATENT DOCUMENTS

D19,255 S *	8/1889	Harding	D10/124
D34,162 S *	3/1901	Chiericati	D10/126
D195,421 S *	6/1963	Huguenin	D10/39
D302,667 S *	8/1989	Tobias	D10/126
D302,797 S *	8/1989	Glauser	D10/32
D325,173 S *	4/1992	Gueit	D10/32
D327,851 S *	7/1992	Besson	D10/39
D356,042 S *	3/1995	Nakanishi	D10/39
D357,192 S *	4/1995	Schneider	D10/32

5,943,302 A *	8/1999	Fanshaw	368/276
D447,427 S *	9/2001	Finazzi	D10/39
D473,472 S *	4/2003	Wunderman	D10/32
D473,799 S *	4/2003	Wunderman	D10/32
D509,445 S *	9/2005	Wunderman	D10/32
D509,446 S *	9/2005	Wunderman	D10/32
D533,468 S *	12/2006	Loth	D10/32
D536,627 S *	2/2007	Behling	D10/38
D538,184 S *	3/2007	Scheufele	D10/39
D546,204 S *	7/2007	Wunderman	D10/33
D547,226 S *	7/2007	Garcia	D10/126

* cited by examiner

Primary Examiner—Lucy Lieberman

(74) *Attorney, Agent, or Firm*—Sughrue Mion, PLLC

(57) **CLAIM**

The ornamental design for a wristwatch, as shown and described.

DESCRIPTION

FIG. 1 is a perspective view of the front and right side of a wristwatch showing my new design;

FIG. 2 is a front elevational view thereof;

FIG. 3 is a rear elevational view thereof;

FIG. 4 is a right side elevational view thereof;

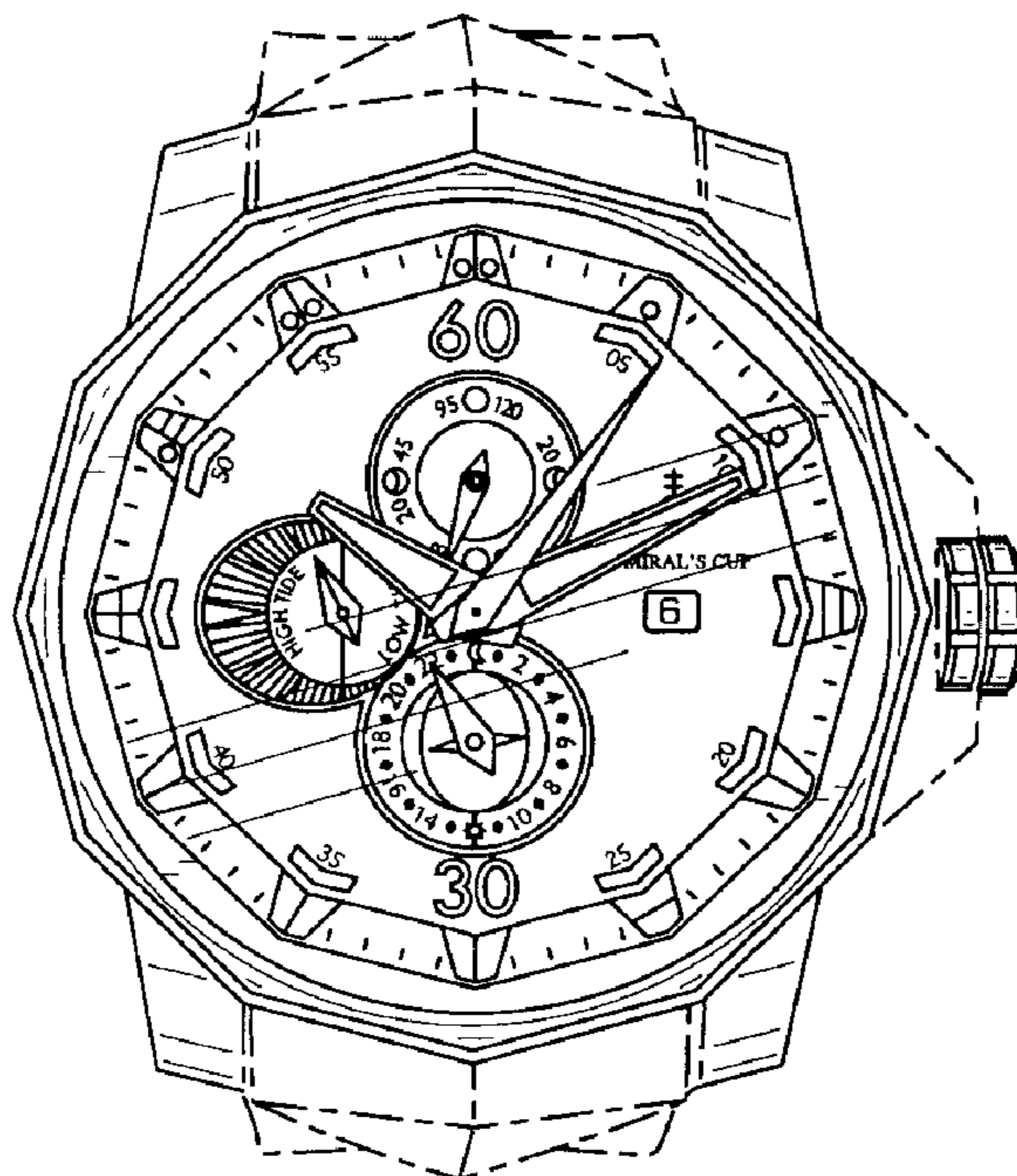
FIG. 5 is a left side elevational view thereof;

FIG. 6 is a top plan view thereof; and,

FIG. 7 is a bottom plan view thereof.

The broken lines shown in the drawing are for illustrative purposes only and form no part of the claimed design.

1 Claim, 2 Drawing Sheets



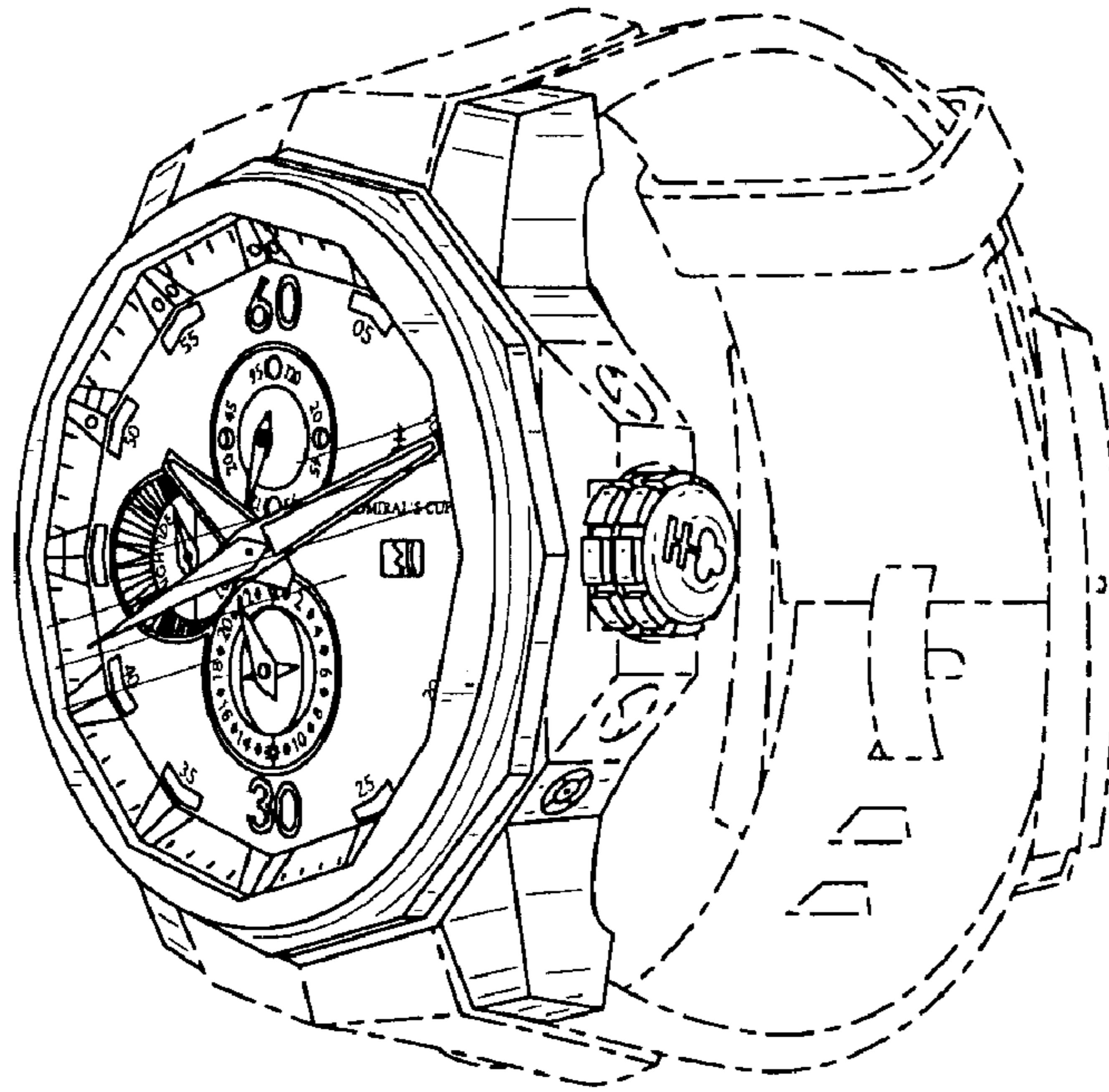


FIG. 1



FIG. 2

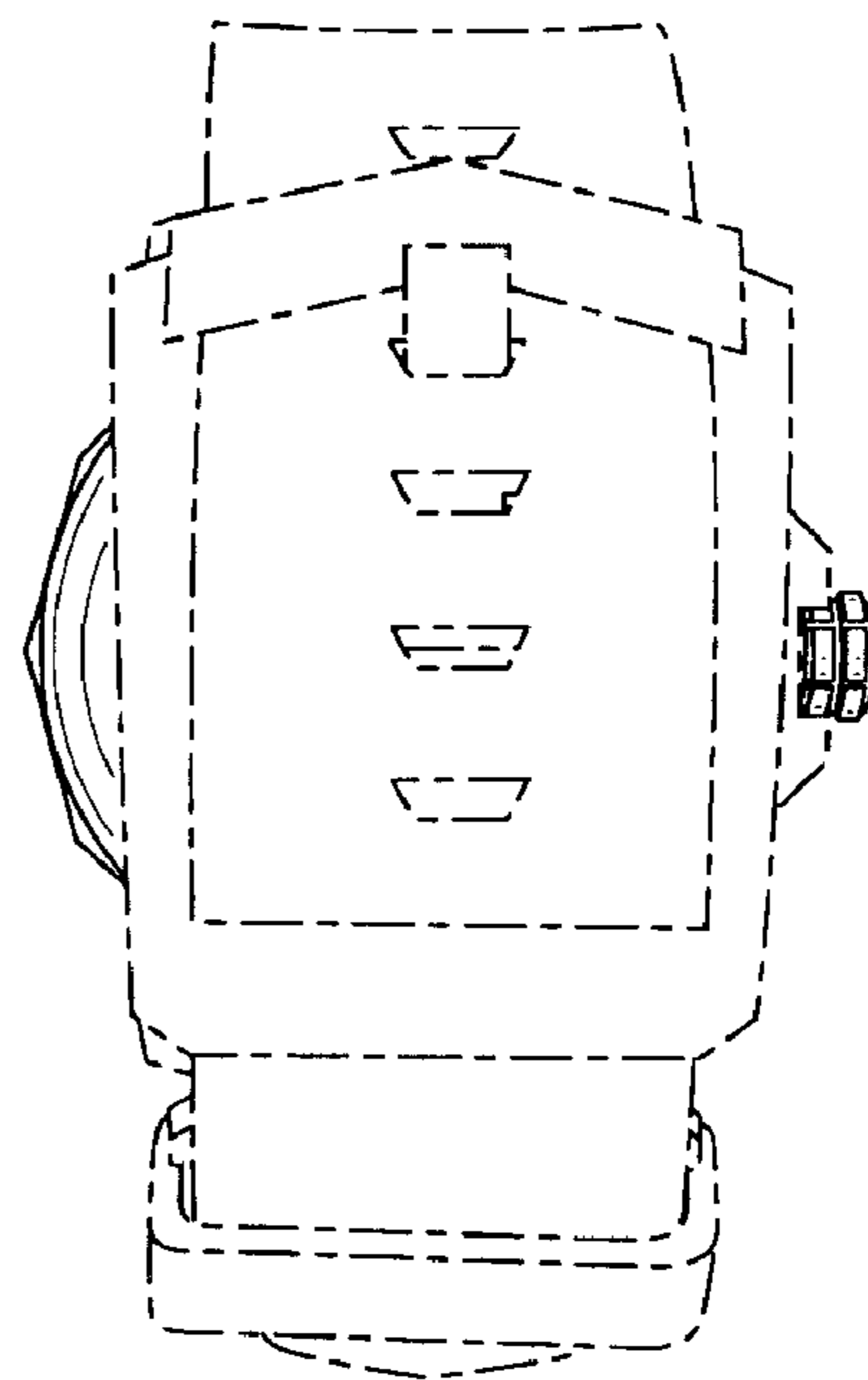


FIG. 3

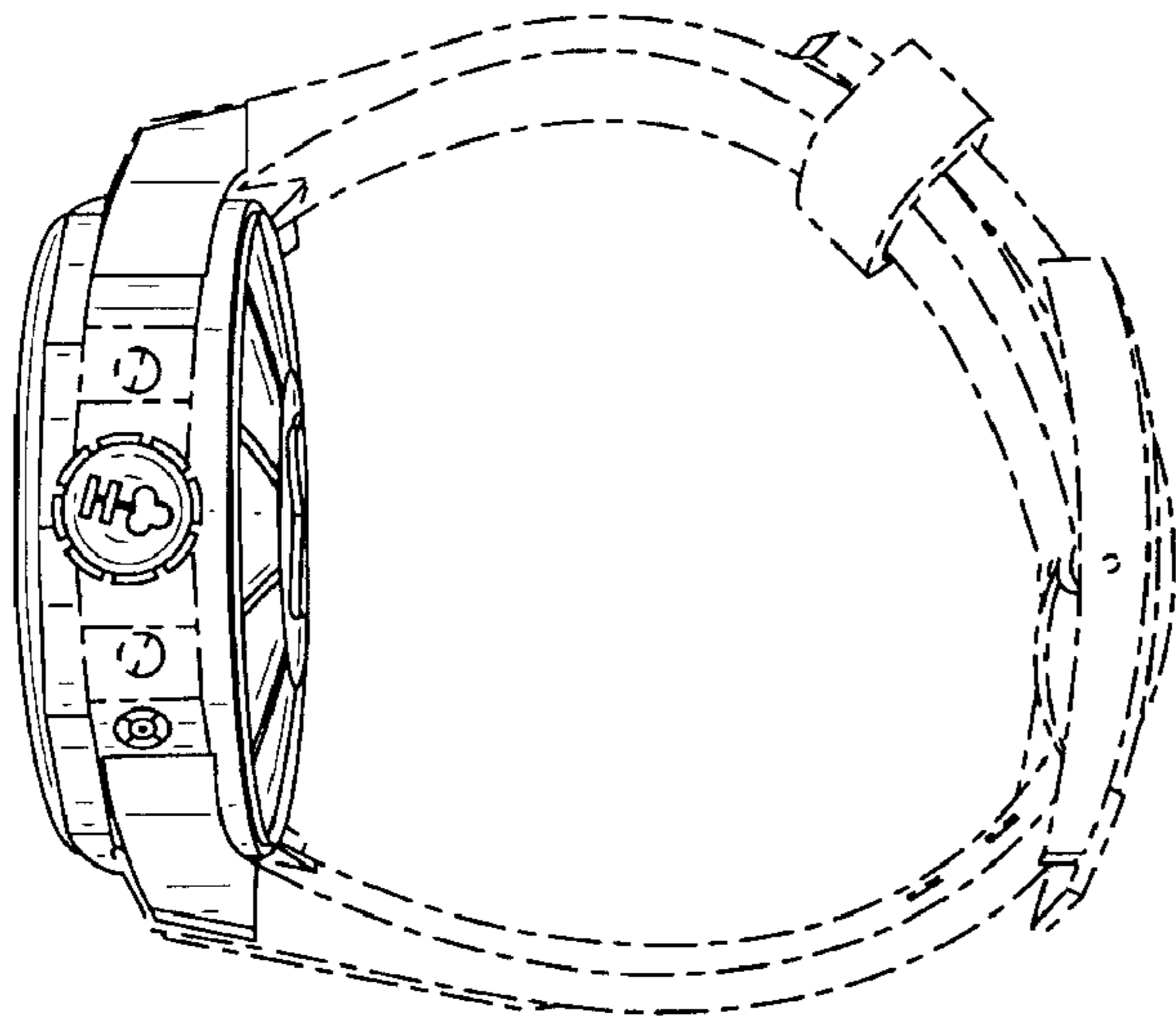


FIG. 4

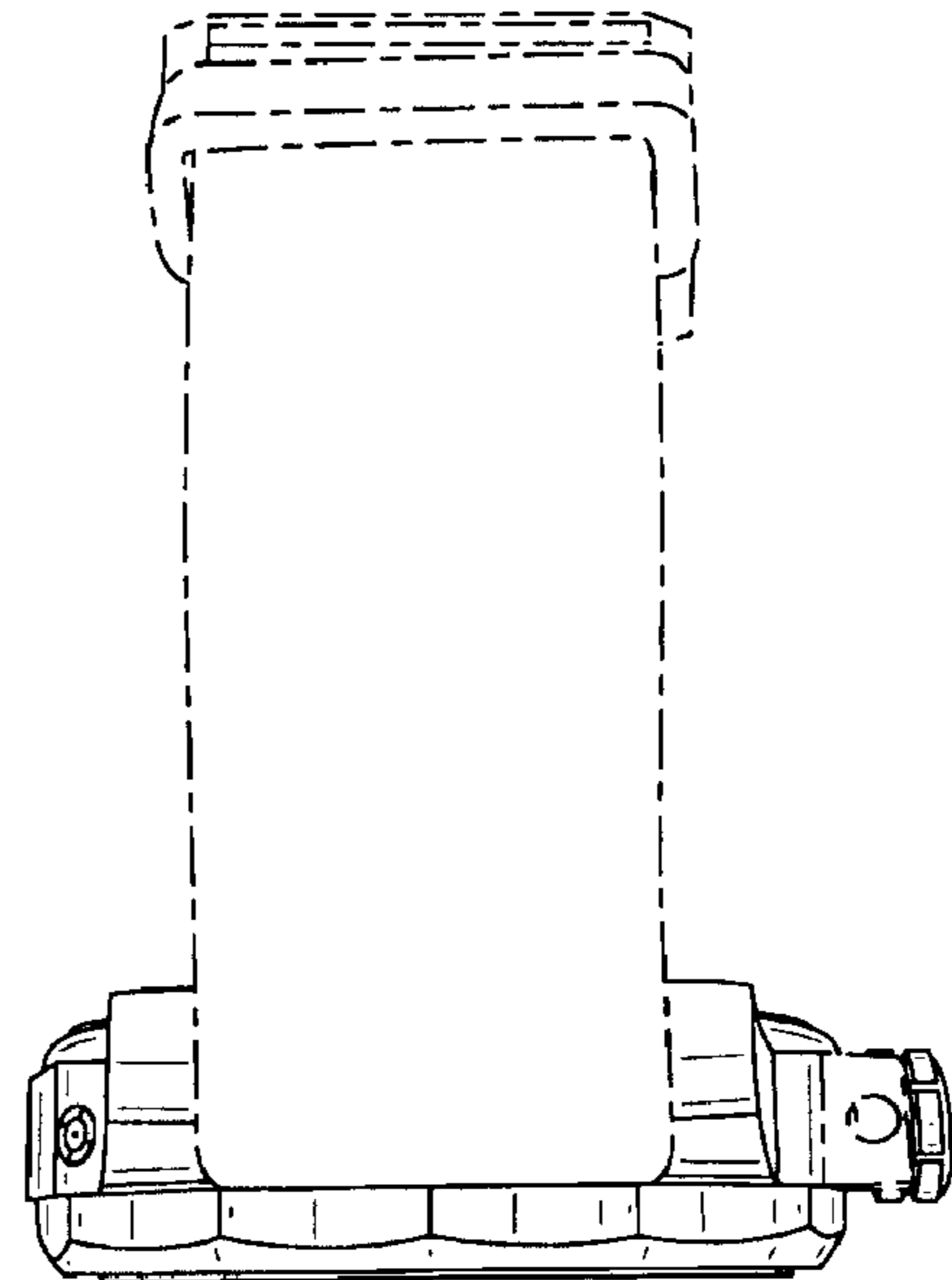


FIG. 6

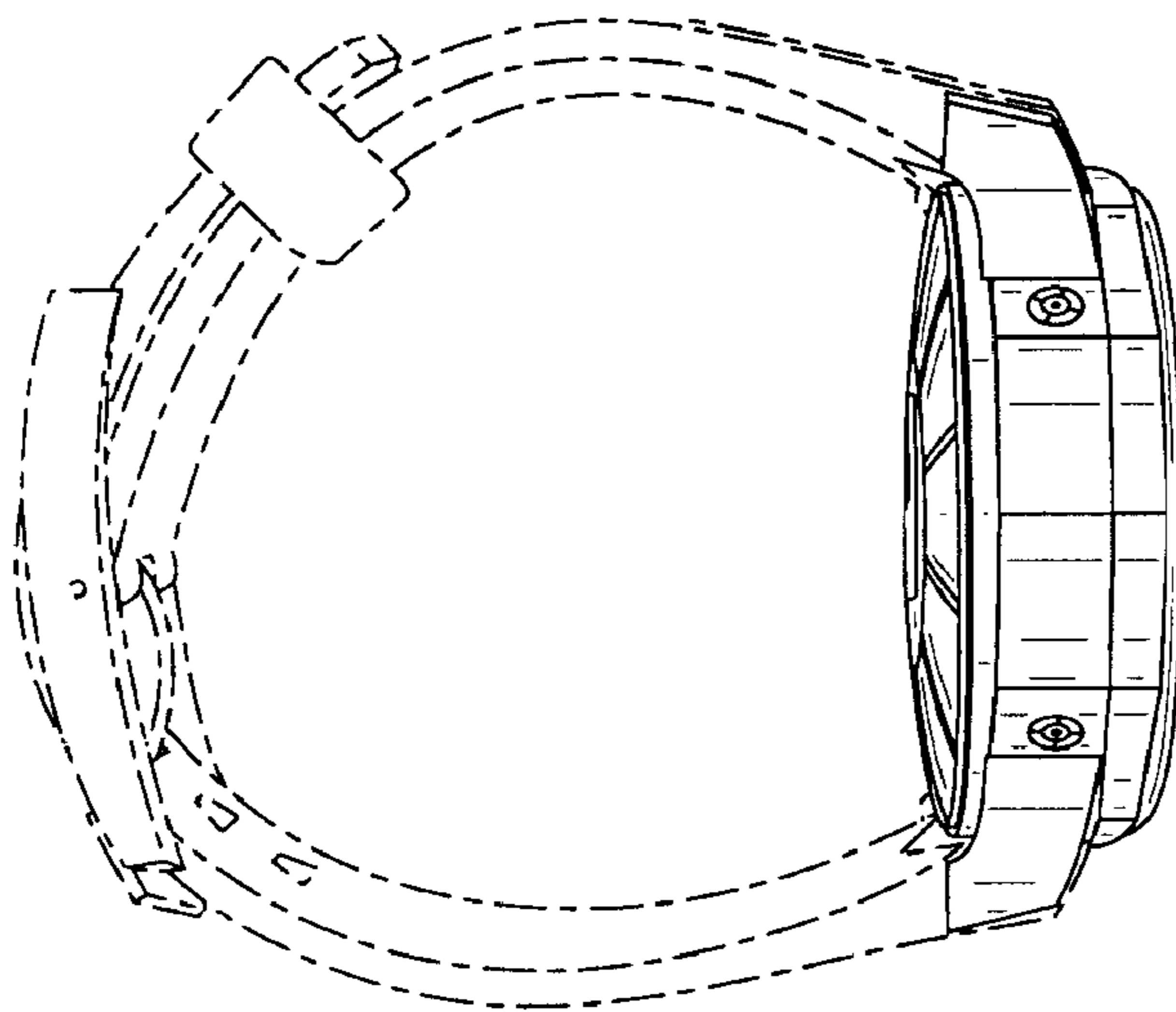


FIG. 5

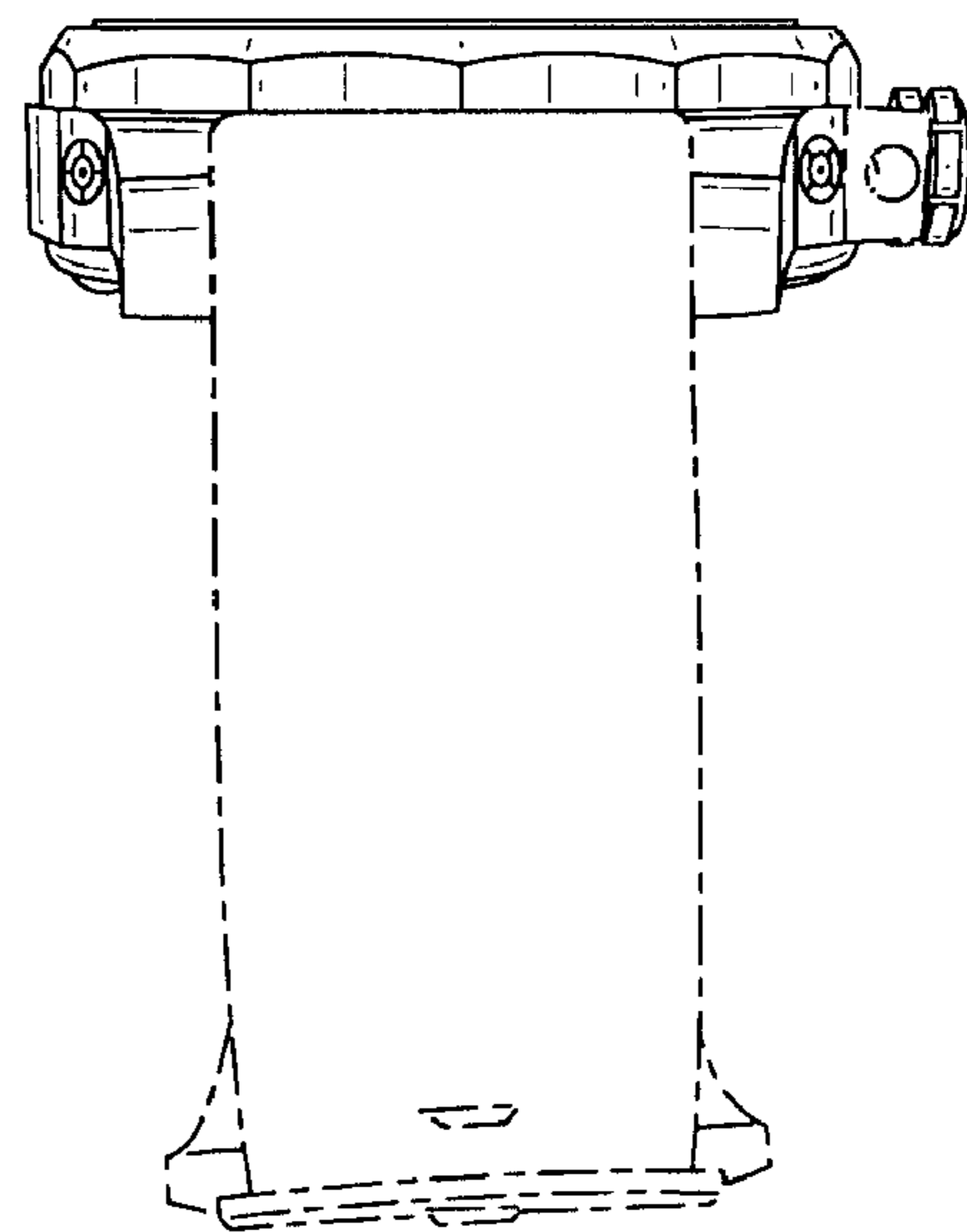


FIG. 7