



US00D592526S

(12) **United States Design Patent**
Maude et al.

(10) **Patent No.:** **US D592,526 S**
(45) **Date of Patent:** **** May 19, 2009**

(54) **CIGARETTE PACKAGE WRAPPER**

(75) Inventors: **Steve Maude**, Wigton (GB); **Peter Mills**, Wigton (GB)

(73) Assignee: **Innovia Films Limited** (GB)

(**) Term: **14 Years**

(21) Appl. No.: **29/305,223**

(22) Filed: **Mar. 14, 2008**

(30) **Foreign Application Priority Data**

Sep. 14, 2007 (EM) 000790068-0007

(51) **LOC (9) Cl.** **09-05**

(52) **U.S. Cl.** **D9/713; D27/193**

(58) **Field of Classification Search** D27/183–193;
206/236–241, 242–276; D9/430–433, 423,
D9/713–714; 229/160.1

See application file for complete search history.

(56) **References Cited**

U.S. PATENT DOCUMENTS

4,720,423	A *	1/1988	Fraser	428/313.5
5,174,492	A *	12/1992	Gero	229/160.1
5,249,676	A *	10/1993	Ashcraft et al.	206/264
5,730,354	A *	3/1998	O'Connor	206/264
D427,369	S *	6/2000	Bowen et al.	D27/189
6,223,895	B1 *	5/2001	Bowen et al.	206/236
D541,471	S *	4/2007	Mitten et al.	D27/189
D561,933	S *	2/2008	Mitten et al.	D27/189
2003/0047469	A1 *	3/2003	Draghetti et al.	206/245

2005/0150786	A1 *	7/2005	Mitten et al.	206/259
2006/0278543	A1 *	12/2006	Pham	206/271
2007/0228040	A1 *	10/2007	Boriani et al.	220/62.2
2007/0241002	A1 *	10/2007	Wu et al.	206/150

OTHER PUBLICATIONS

U.S. Appl. No. 29/305,204, filed Mar. 14, 2008, Maude et al.

* cited by examiner

Primary Examiner—Jennifer Rivard

(74) *Attorney, Agent, or Firm*—Knobbe, Martens, Olson & Bear, LLP

(57) **CLAIM**

The ornamental design for cigarette package wrapper, as shown and described.

DESCRIPTION

FIG. 1 is a right front perspective view showing the new design;

FIG. 2 is a front view;

FIG. 3 is a rear view;

FIG. 4 is a top view;

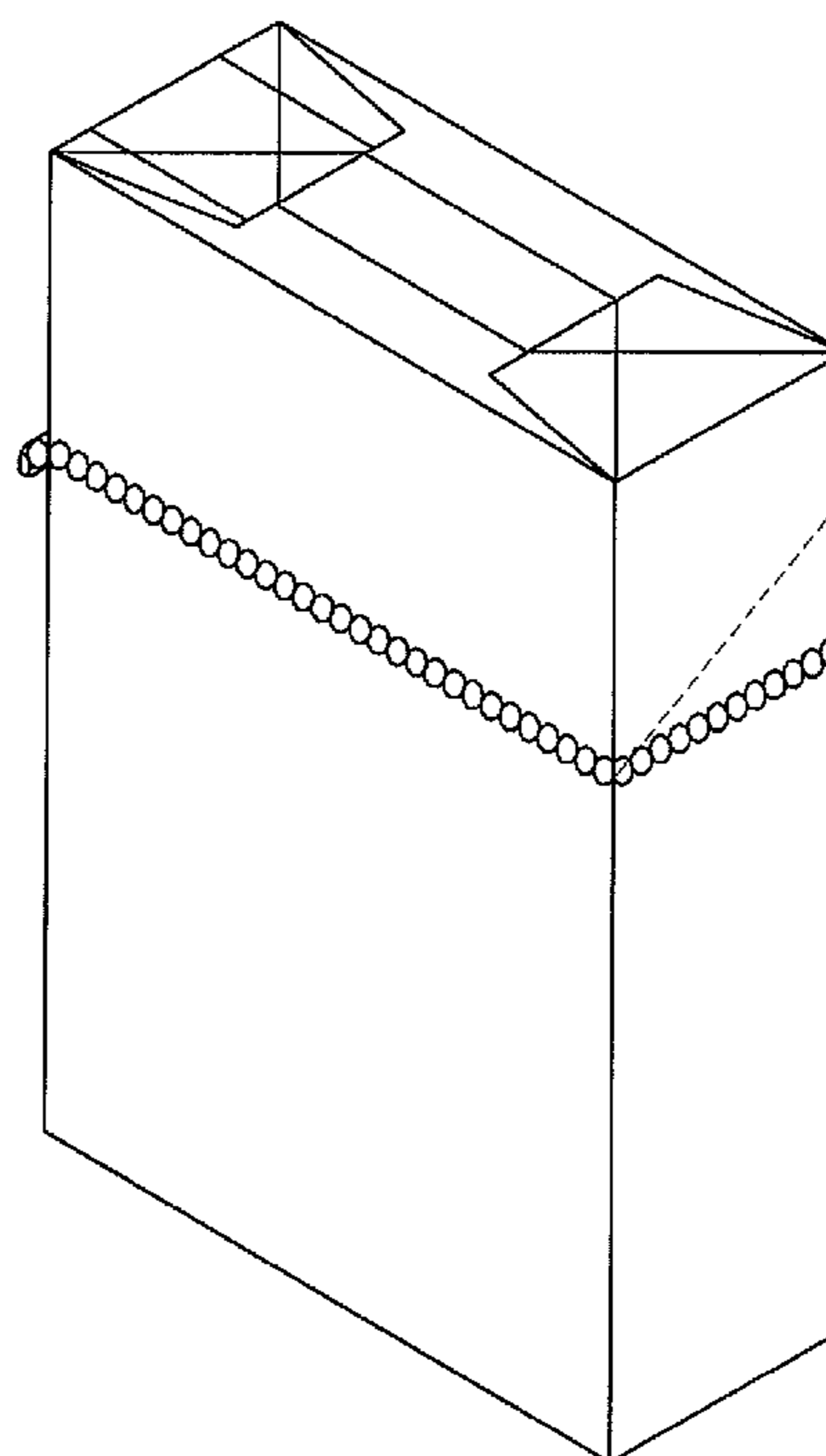
FIG. 5 is a left view;

FIG. 6 is a right view; and,

FIG. 7 is a bottom view.

The broken lines shown in the drawings illustrate the cigarette package and form no part of the claimed design.

1 Claim, 7 Drawing Sheets



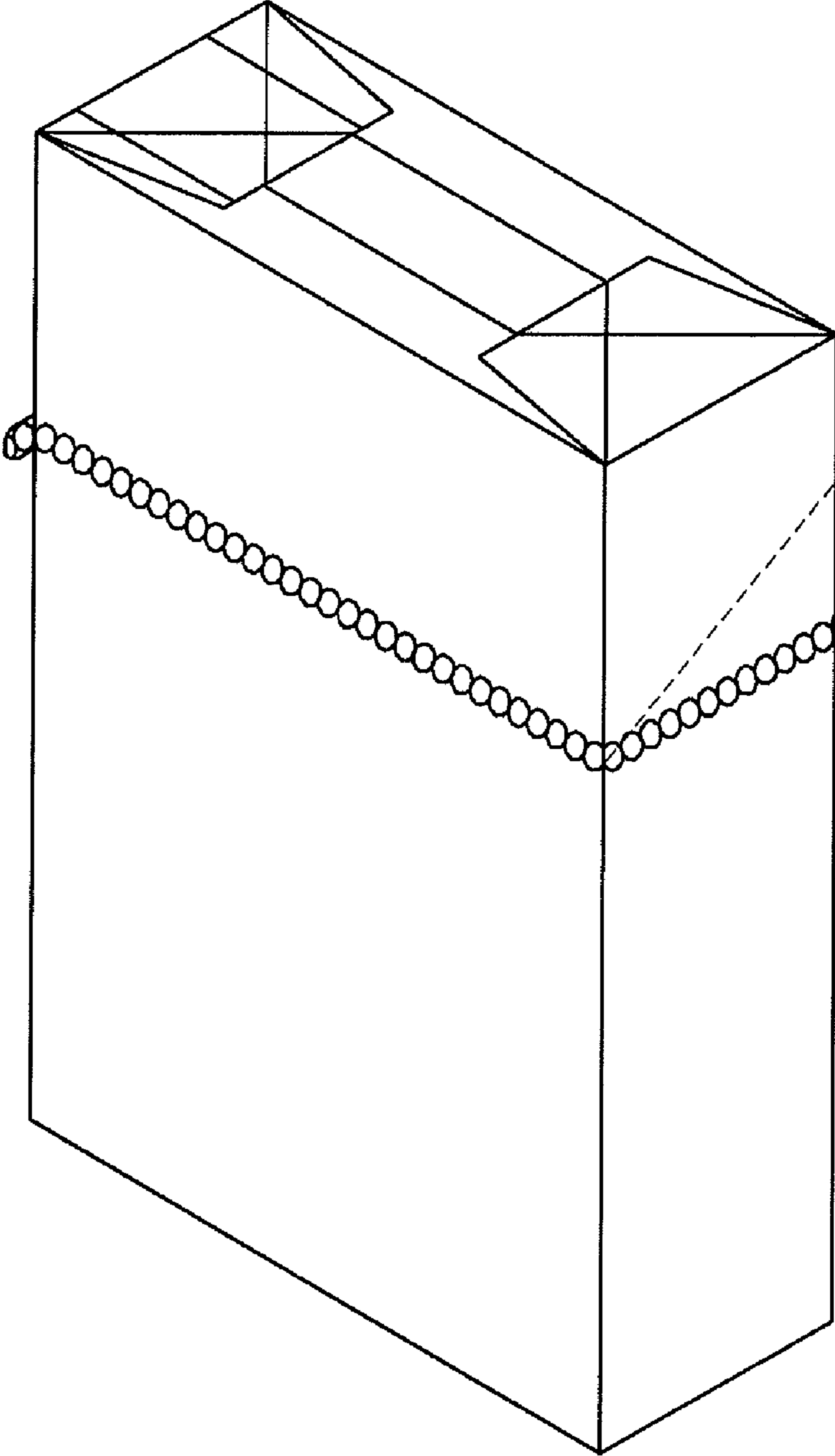


FIG. 1

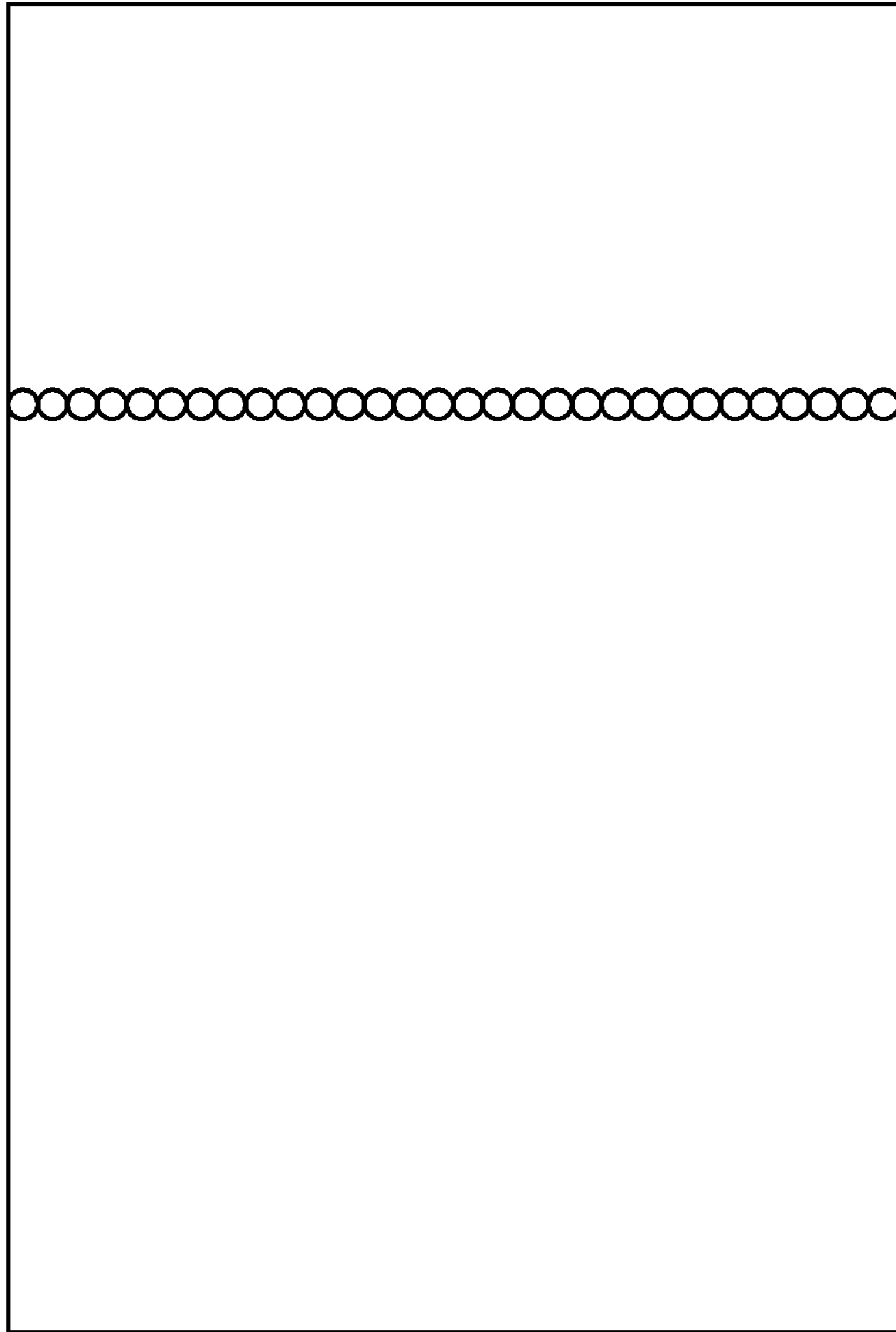


FIG. 2

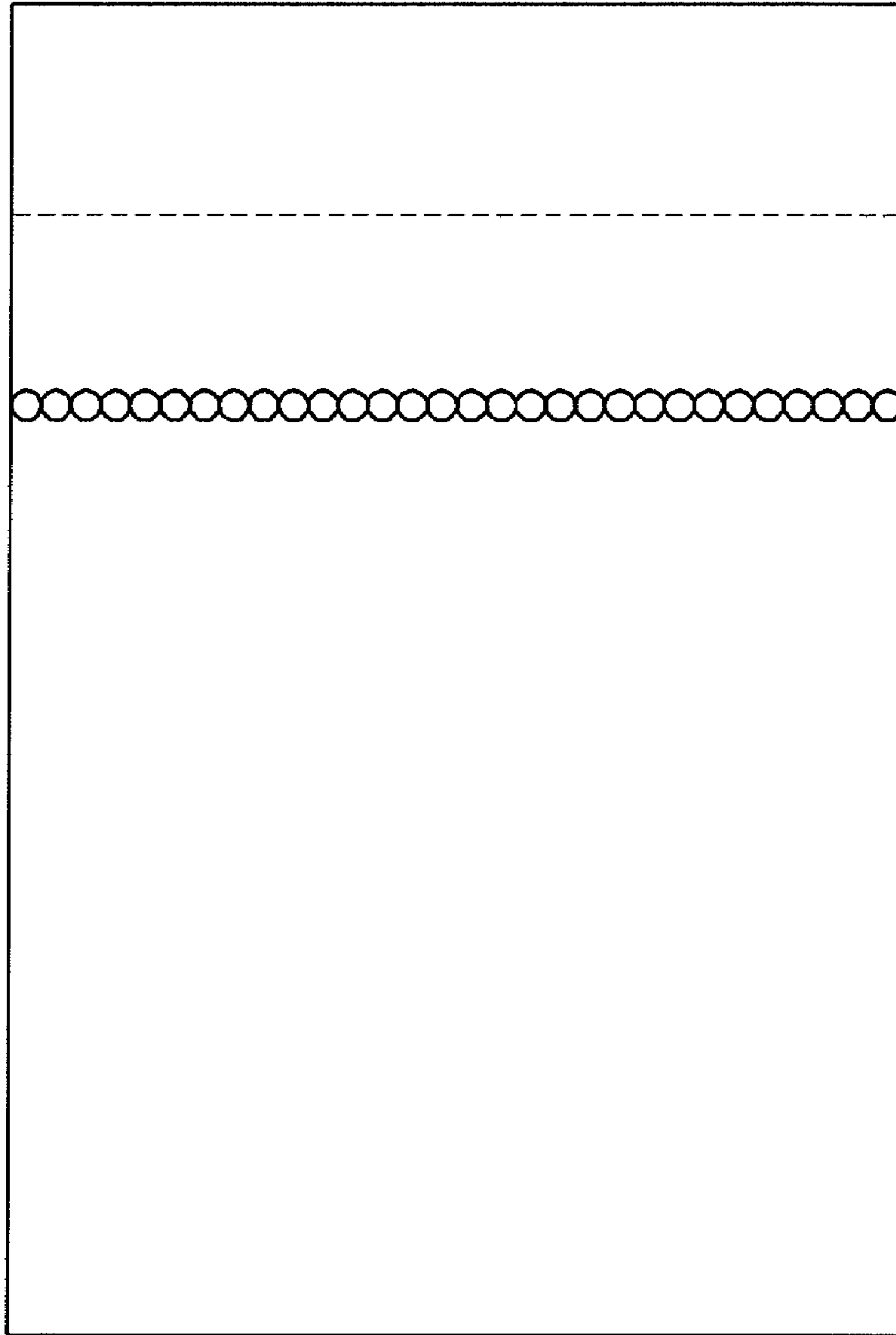


FIG. 3



FIG. 4

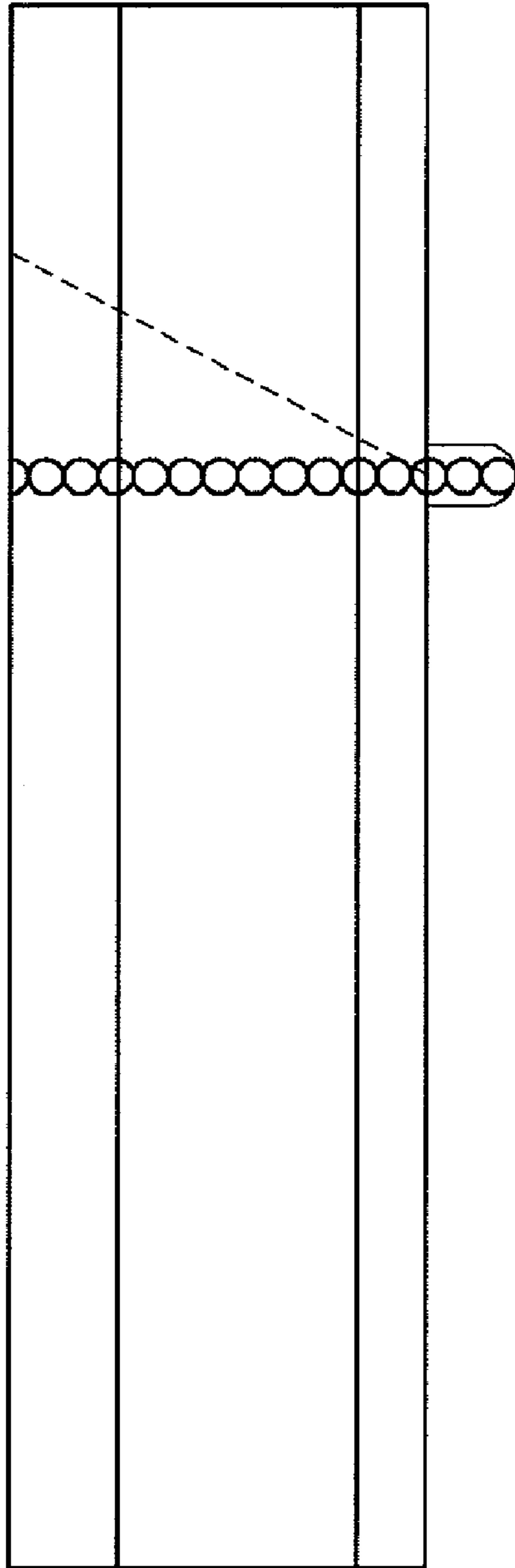


FIG. 5

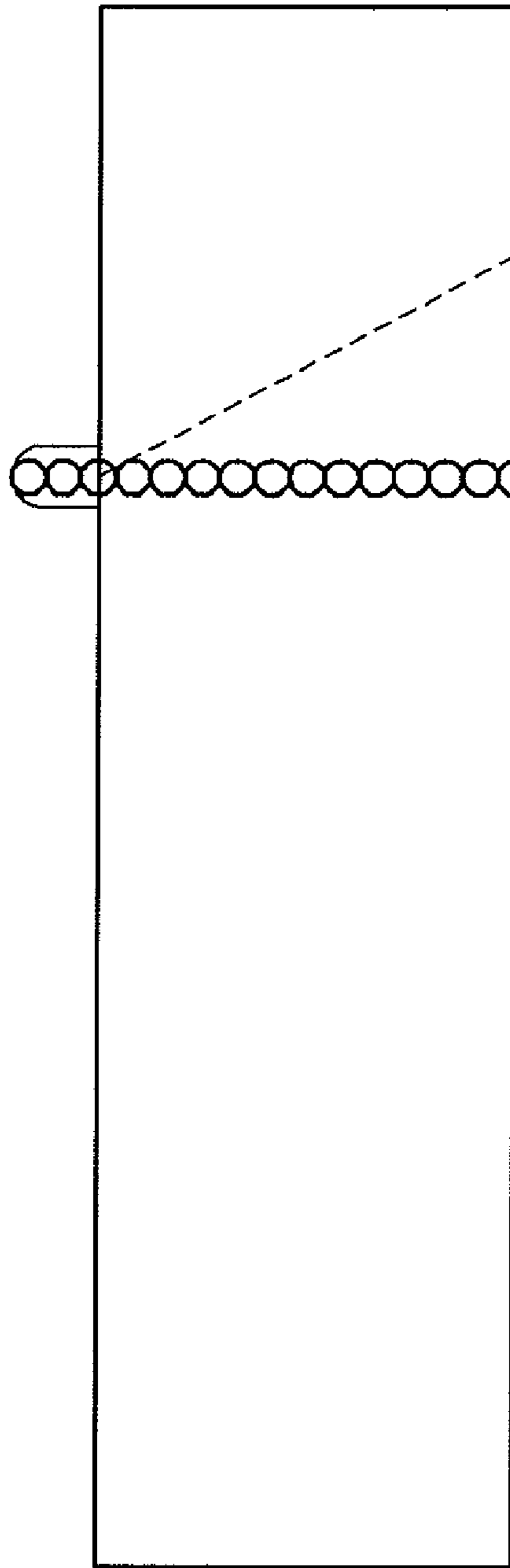


FIG. 6



FIG. 7