



US00D592505S

(12) **United States Design Patent**
Mobley et al.

(10) **Patent No.:** **US D592,505 S**

(45) **Date of Patent:** **** May 19, 2009**

(54) **COMBINATION LID/STRAW FOR BEVERAGE CANS**

(76) Inventors: **Chestina J. Mobley**, 4266 Camellia Cir. West, Jacksonville, FL (US) 32207;
Chandronette P. Mobley, 4266 Camellia Cir. West, Jacksonville, FL (US) 32207

(**) Term: **14 Years**

(21) Appl. No.: **29/320,692**

(22) Filed: **Jul. 1, 2008**

(51) **LOC (9) Cl.** **08-07**

(52) **U.S. Cl.** **D9/436; D7/300.2**

(58) **Field of Classification Search** D7/300.2, D7/305, 392.1, 507, 510, 511; D9/418, 434, D9/435, 715, 718; 215/228, 229, 388, 389, 215/391; 239/16, 24-33; 206/216
See application file for complete search history.

(56) **References Cited**

U.S. PATENT DOCUMENTS

3,822,030	A *	7/1974	Tanzer	220/709
4,631,715	A *	12/1986	Hoover	D7/300.2
4,948,009	A *	8/1990	Sawatani	220/229
D318,427	S *	7/1991	Sherburne, Jr.	D9/436
5,071,019	A *	12/1991	Sizemore	220/709
6,142,335	A *	11/2000	Query, Jr.	220/707
6,394,302	B1 *	5/2002	Query, Jr.	220/707
7,178,685	B2 *	2/2007	Hidalgo et al.	220/229
D573,017	S *	7/2008	Henderson	D9/436

2004/0245250	A1 *	12/2004	Hidalgo et al.	220/229
2005/0145626	A1 *	7/2005	Freek et al.	220/254.1
2006/0086744	A1 *	4/2006	Li	220/709
2007/0125873	A1 *	6/2007	Kenyon et al.	239/30

* cited by examiner

Primary Examiner—Holly H Baynham
Assistant Examiner—Cynthia M Chin

(57) **CLAIM**

The ornamental design for a combination lid/straw for beverage cans, as shown and described.

DESCRIPTION

FIG. 1 is a front elevational view of the combination lid/straw for beverage cans showing my new design;

FIG. 2 is a left-side elevational view of the combination lid/straw for beverage cans thereof;

FIG. 3 is right-side elevational view of the combination lid/straw for beverage cans thereof;

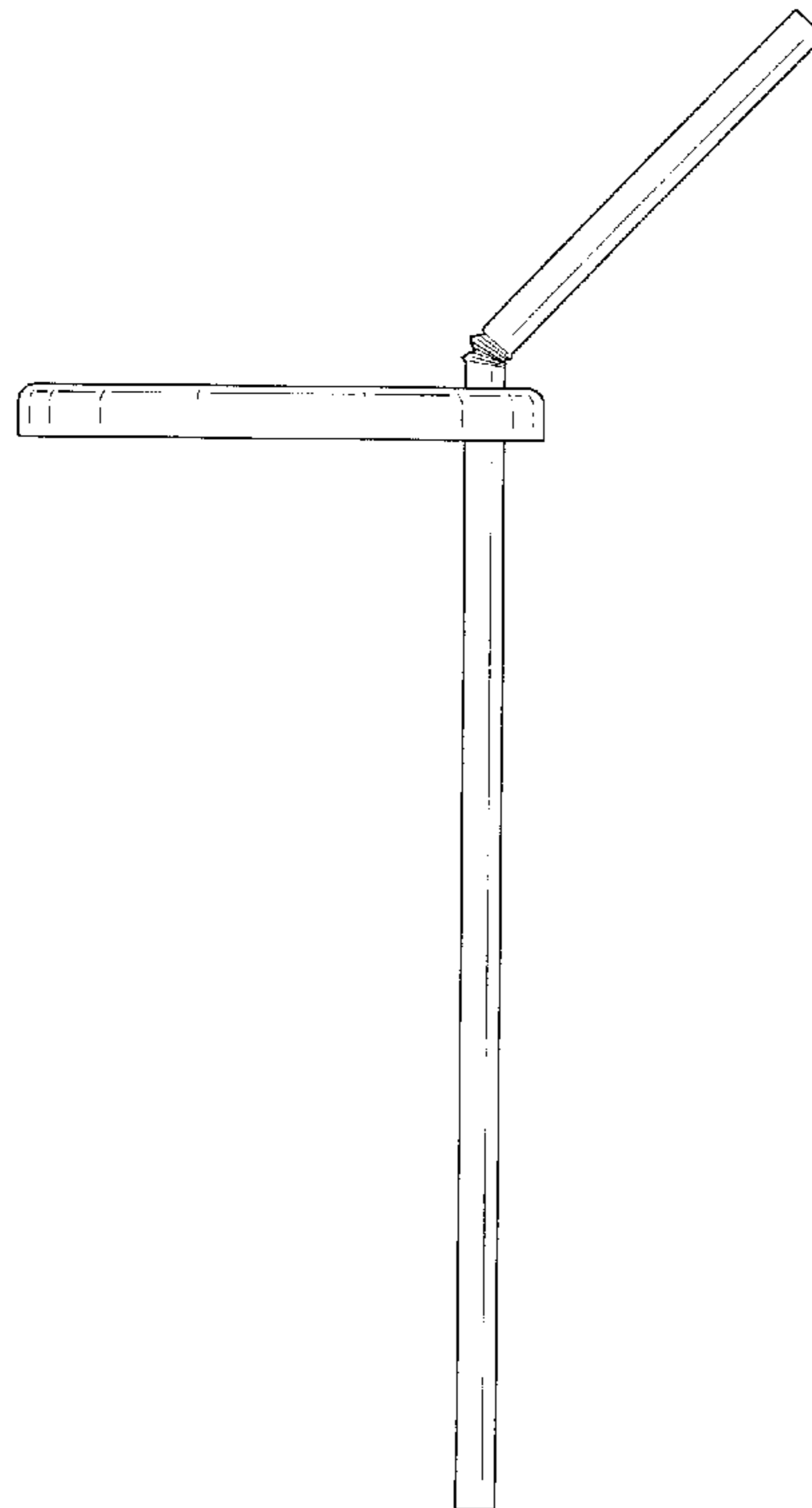
FIG. 4 is a top plan view of the combination lid/straw for beverage cans thereof;

FIG. 5 is a bottom plan view of the combination lid/straw for beverage cans thereof; and,

FIG. 6 is a perspective view of the combination lid/straw for beverage cans thereof.

The broken lines represent portions of the design that form no part of the claim.

1 Claim, 4 Drawing Sheets



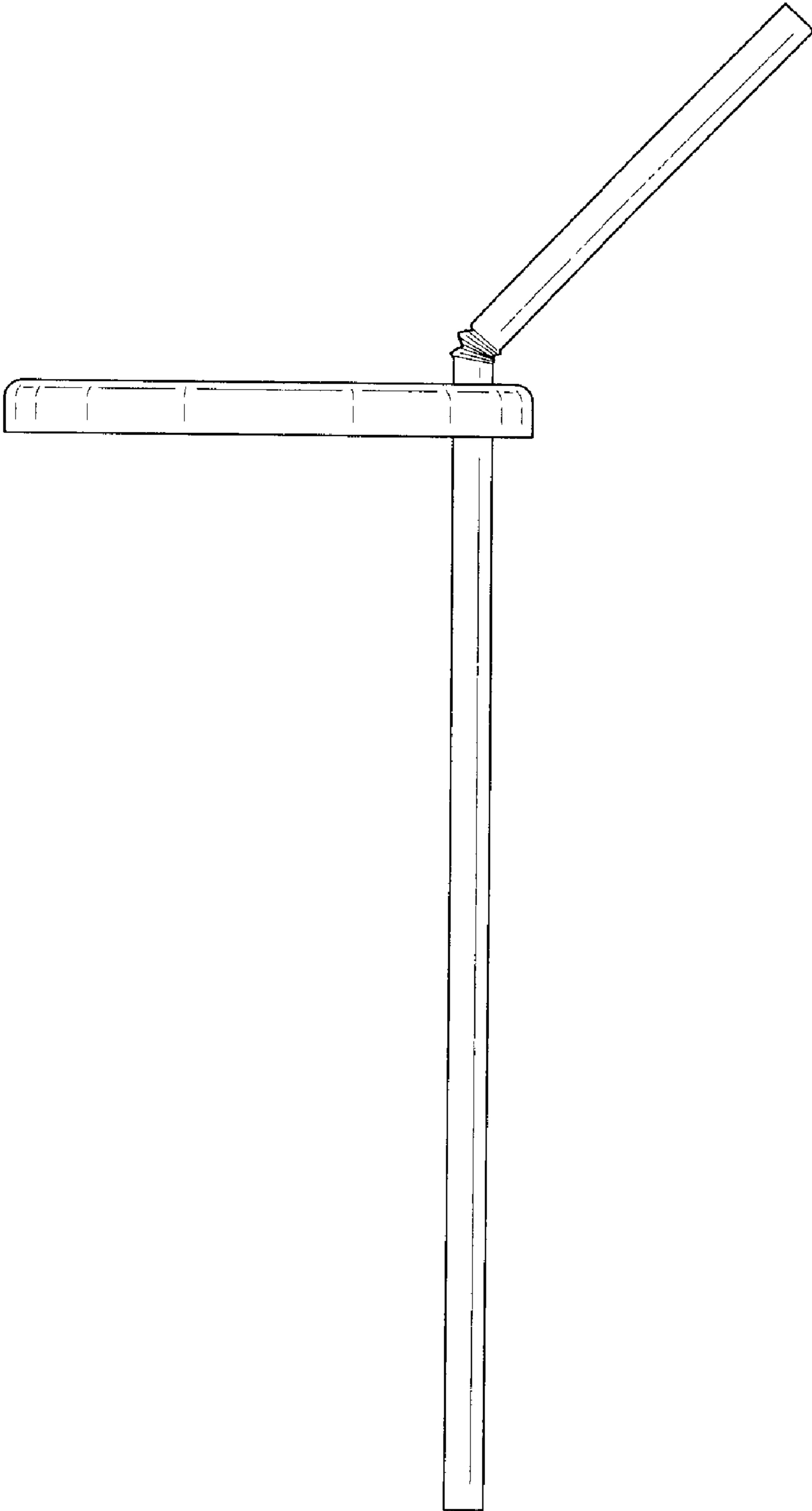


FIG. 1

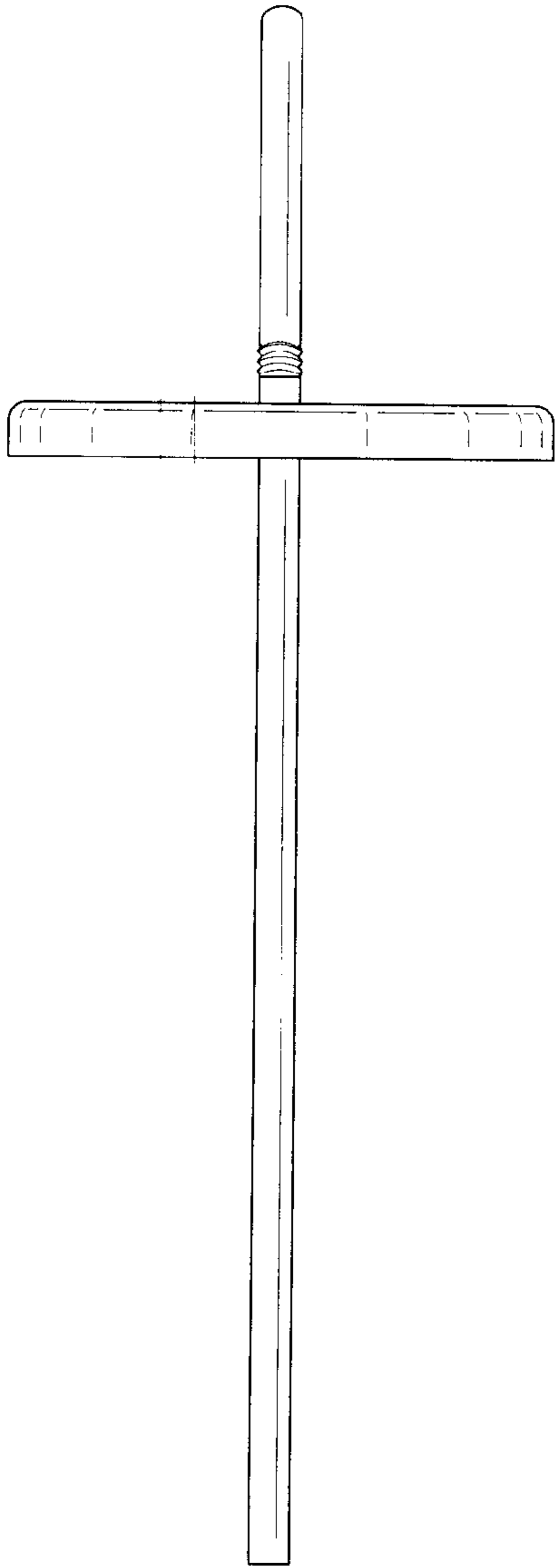


FIG. 2

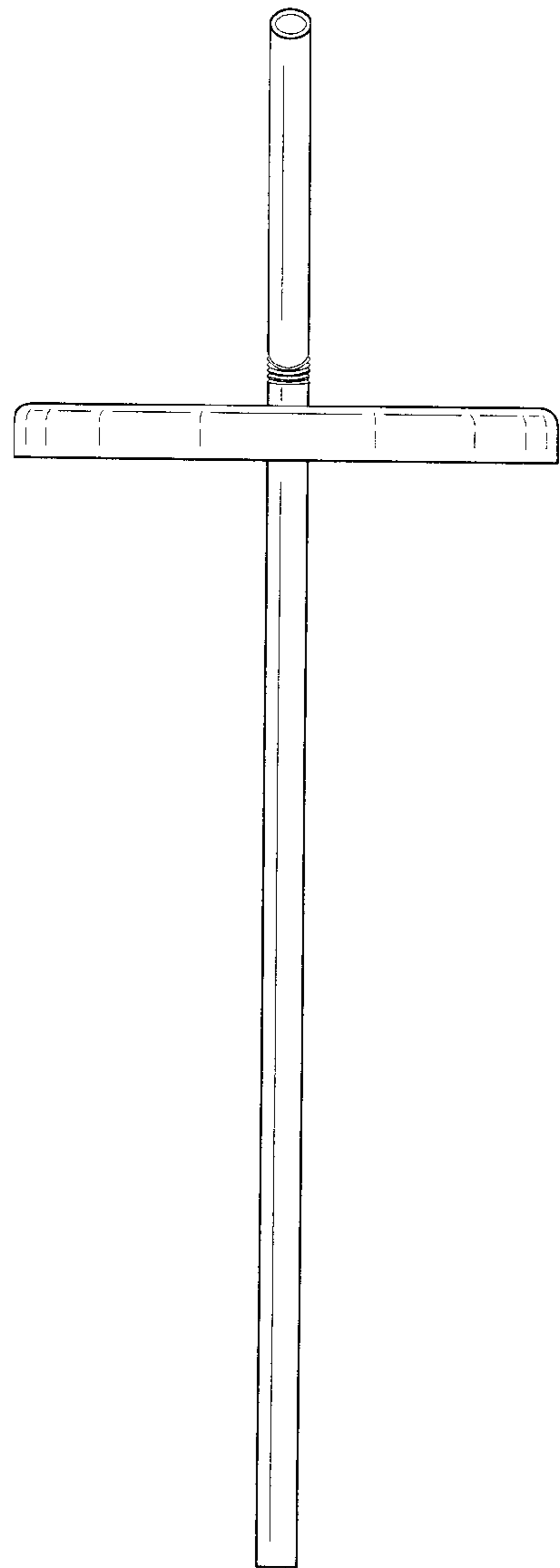


FIG. 3

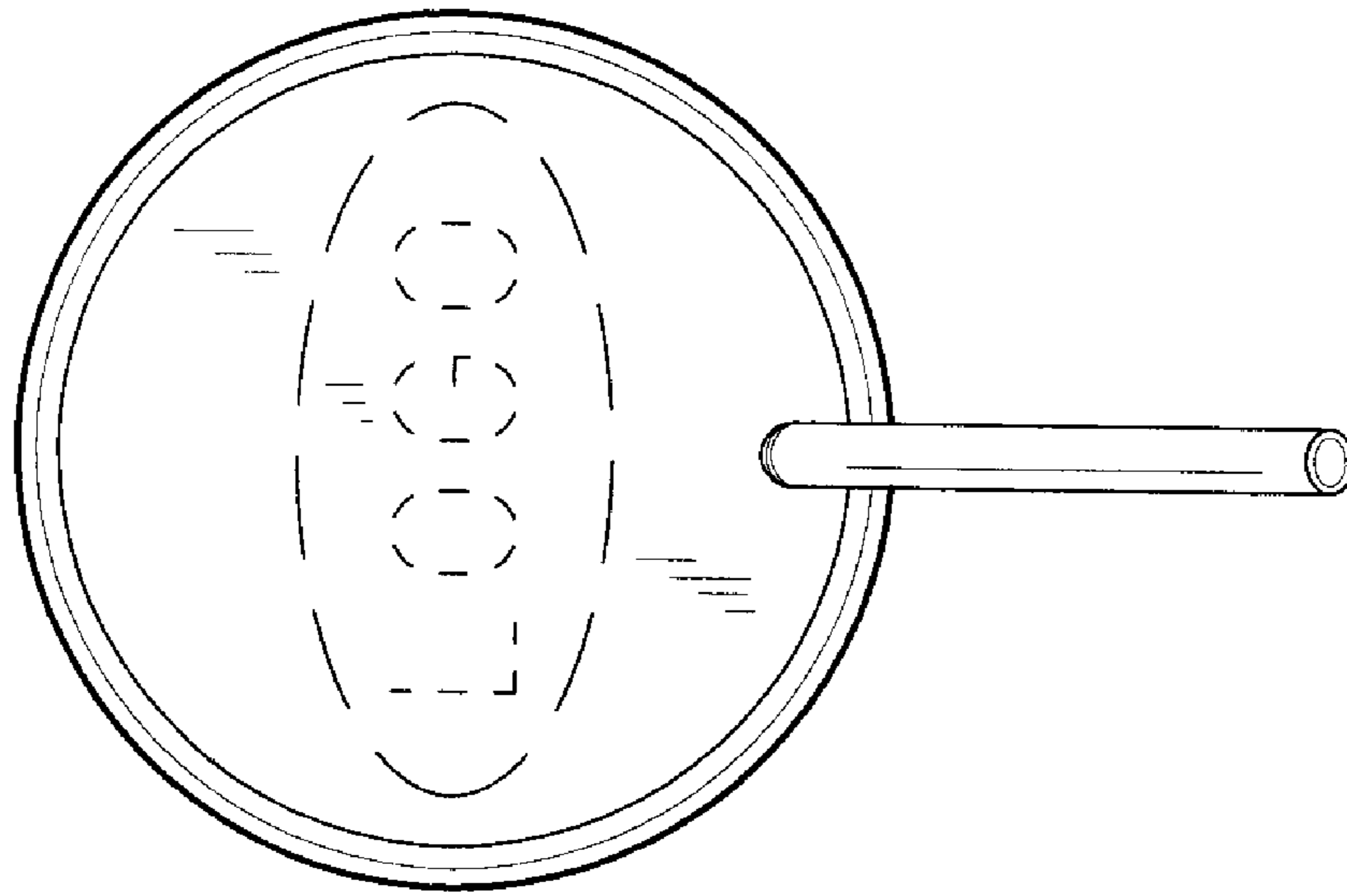


FIG. 4

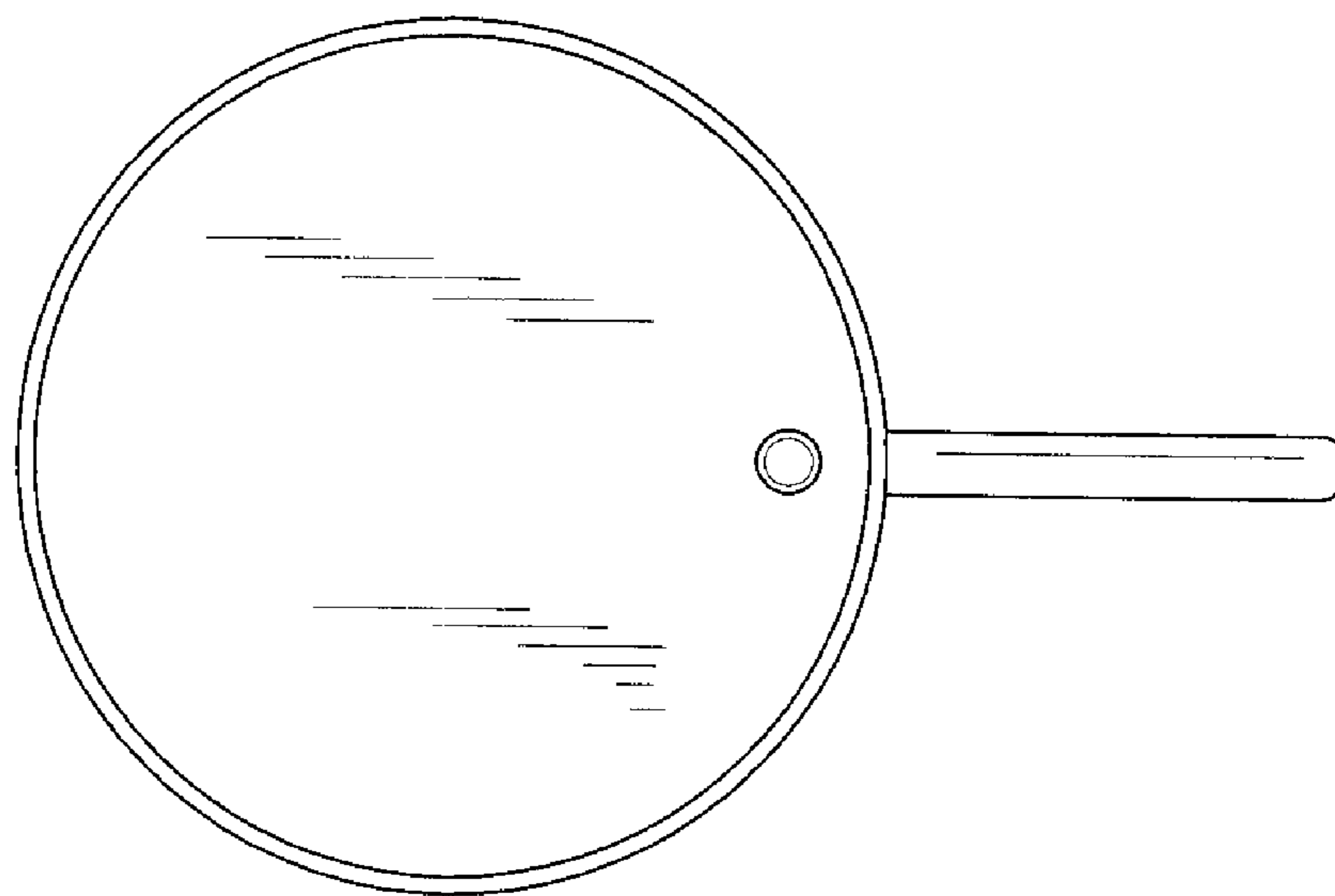


FIG. 5

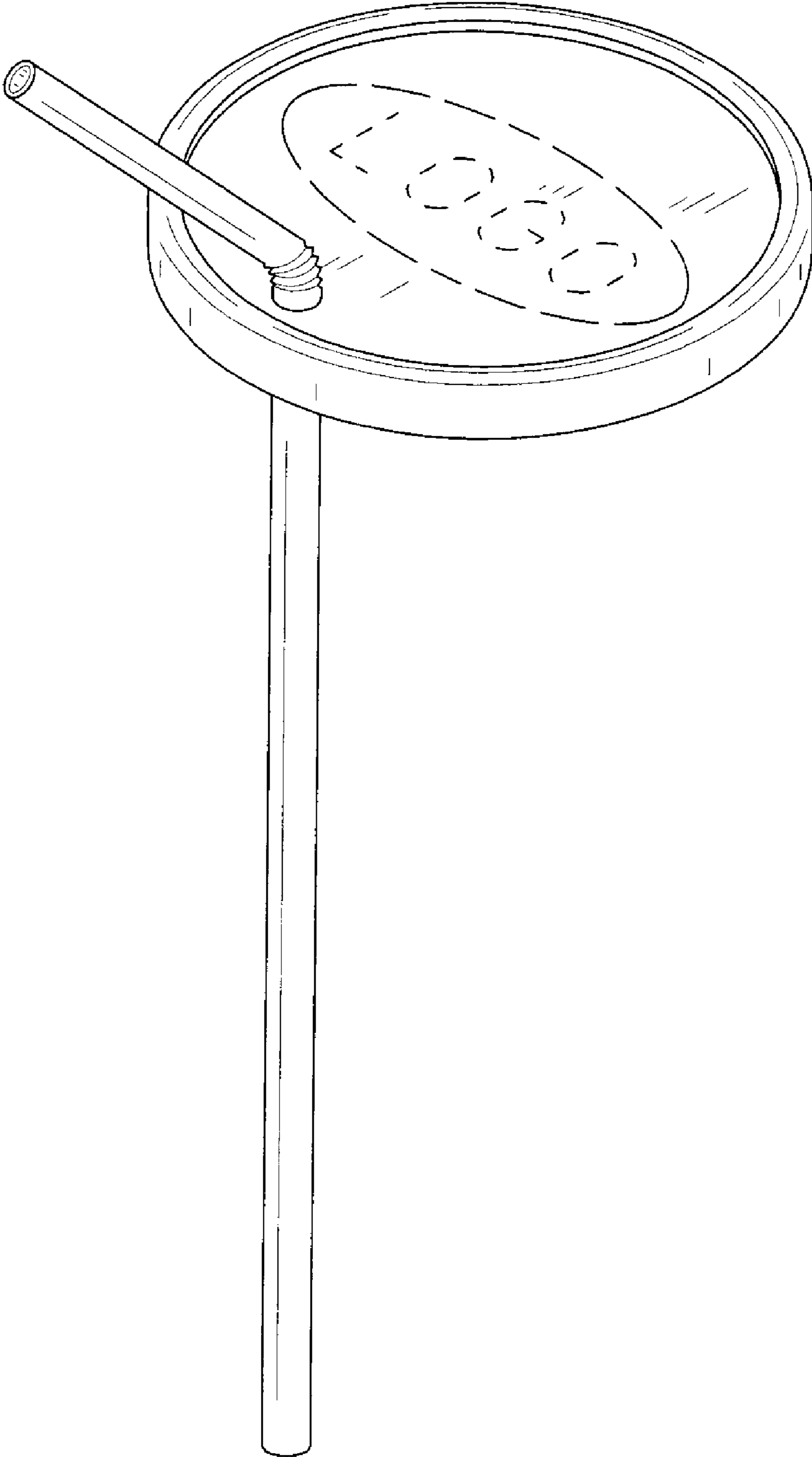


FIG. 6