



US00D592504S

(12) **United States Design Patent**  
**Jacobsson**

(10) **Patent No.:** **US D592,504 S**

(45) **Date of Patent:** **\*\* May 19, 2009**

(54) **LID FOR A PAPER BAG**

(75) Inventor: **Fredrik Jacobsson**, Nacka (SE)

(73) Assignee: **SCA Packaging Marketing NV**,  
Diegem (BE)

(\*\*) Term: **14 Years**

(21) Appl. No.: **29/282,319**

(22) Filed: **Jul. 17, 2007**

(30) **Foreign Application Priority Data**

Jan. 17, 2007 (EM) ..... 000653027-0001

(51) **LOC (9) Cl.** ..... **09-07**

(52) **U.S. Cl.** ..... **D9/435**

(58) **Field of Classification Search** ..... D9/749,  
D9/721, 705, 700, 658, 655, 652, 457, 455,  
D9/431, 424, 415; D7/512, 510; D6/526;  
493/104; 229/128, 117.03; 220/834; 206/779,  
206/775, 705, 701, 563, 553, 471, 469, 459.5,  
206/457, 395, 349; D1/127  
See application file for complete search history.

(56) **References Cited**

**U.S. PATENT DOCUMENTS**

359,435 A \* 3/1887 Elliot ..... 229/128  
3,630,430 A \* 12/1971 Struble ..... 229/117.03  
D235,314 S \* 6/1975 Cramphorn ..... D9/431  
D306,975 S \* 4/1990 Brondyke et al. .... D9/431

D418,368 S \* 1/2000 Solland et al. .... D7/510  
D433,330 S \* 11/2000 Hudson ..... D9/431  
6,164,488 A \* 12/2000 Solland et al. .... 220/834  
6,176,420 B1 \* 1/2001 Sarson et al. .... 229/128  
6,592,504 B2 \* 7/2003 Sarson et al. .... 493/104  
D495,209 S \* 8/2004 Tranfaglia et al. .... D7/512  
D580,779 S \* 11/2008 Hartwell et al. .... D9/705  
2004/0211823 A1 \* 10/2004 Sarson et al. .... 229/128

\* cited by examiner

*Primary Examiner*—Susan Bennett Hattan

(74) *Attorney, Agent, or Firm*—Young & Thompson

(57) **CLAIM**

The ornamental design for a lid for a paper bag, as shown and described.

**DESCRIPTION**

FIG. 1 is a top, front and side perspective view of a lid for a paper bag, showing my new design, the broken lines representing a filled bag whose top is closed by the lid of the present invention and forming no part of the claimed design;

FIG. 2 is a front elevational view thereof;

FIG. 3 is a top plan view thereof;

FIG. 4 is a side elevational view thereof from the right of FIG. 2, the side elevational view from the left of FIG. 2 being the mirror image thereof;

FIG. 5 is a rear elevational view thereof; and,

FIG. 6 is a bottom plan view thereof.

**1 Claim, 3 Drawing Sheets**

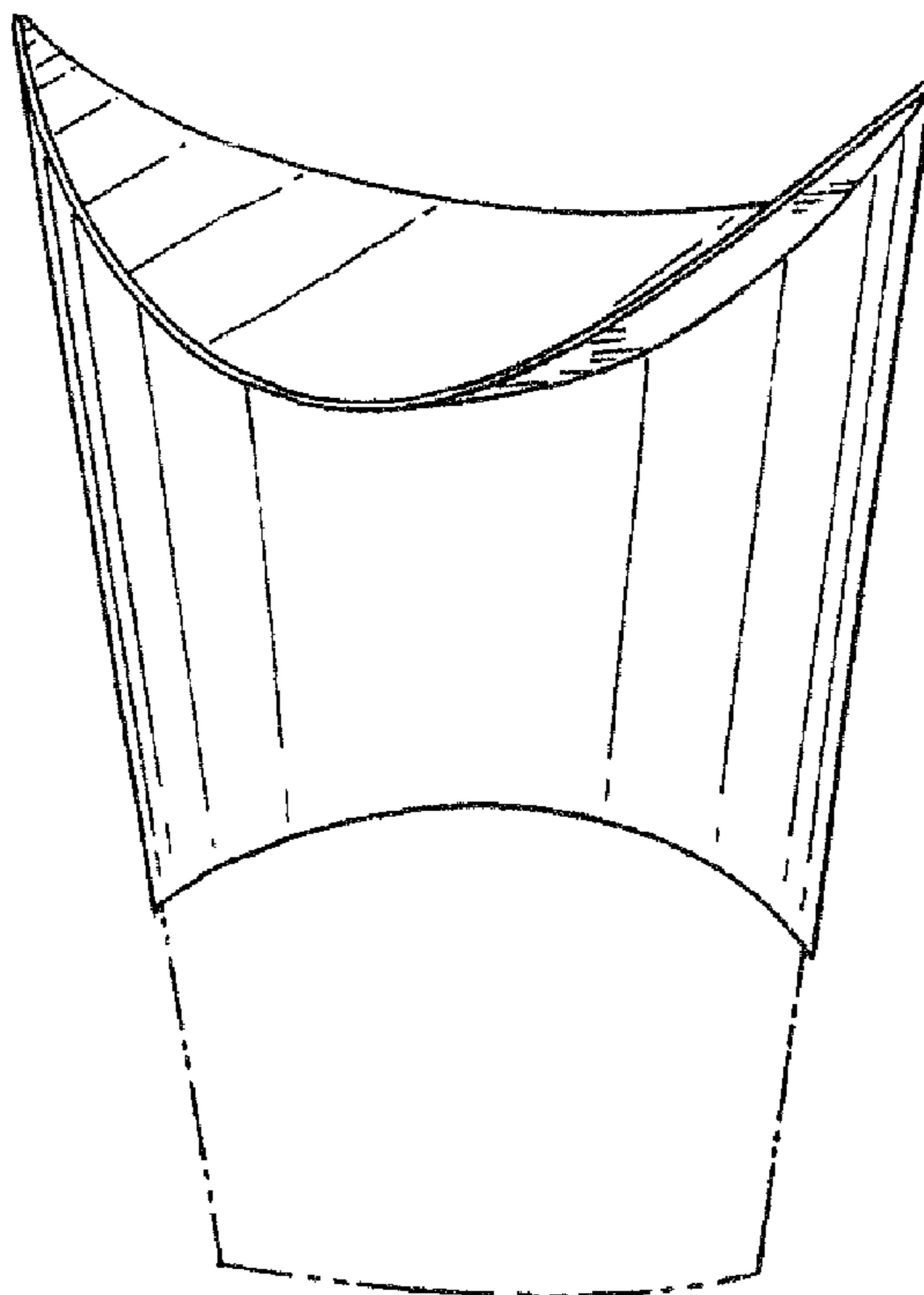


Fig. 1

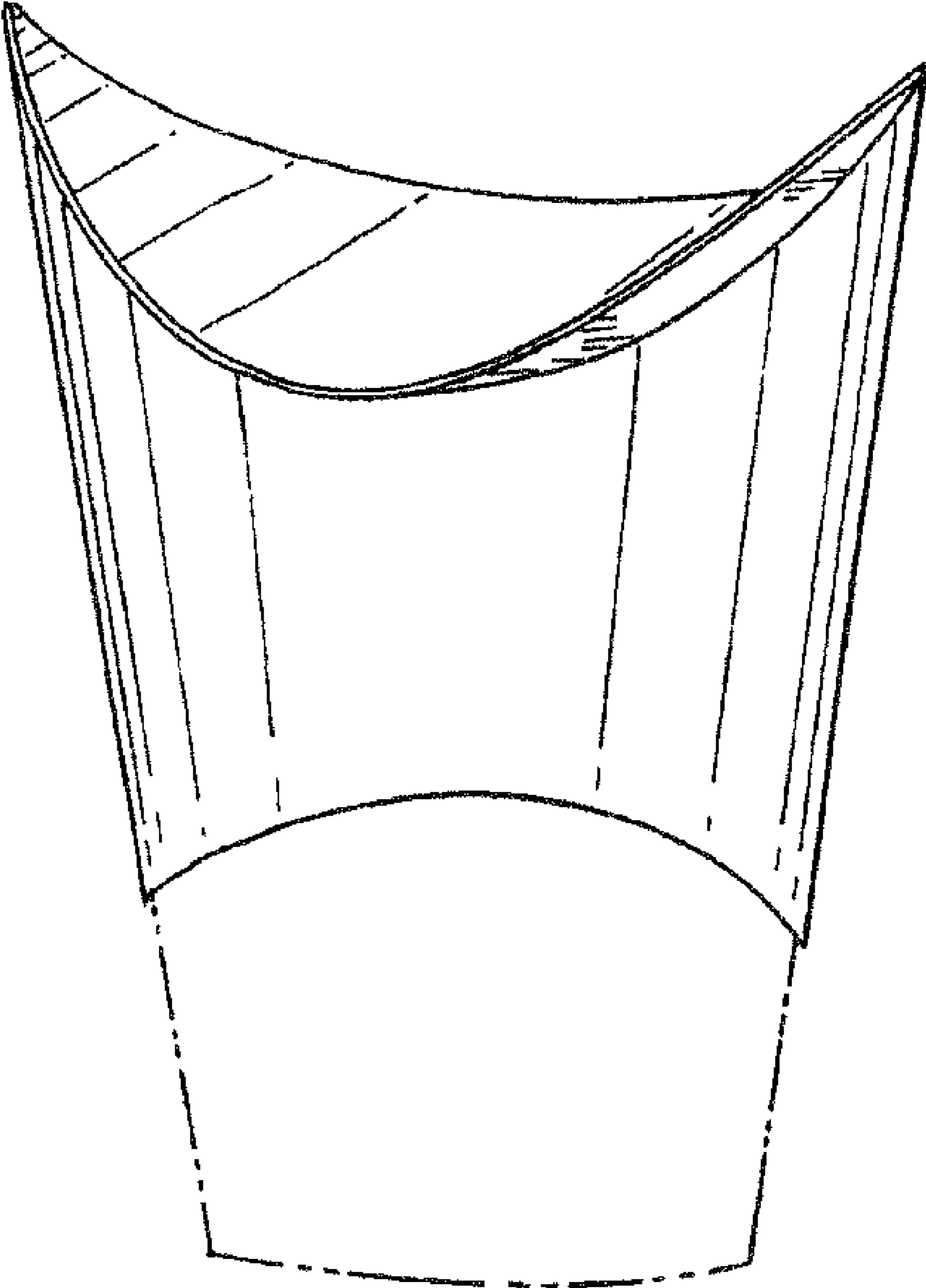


Fig. 2

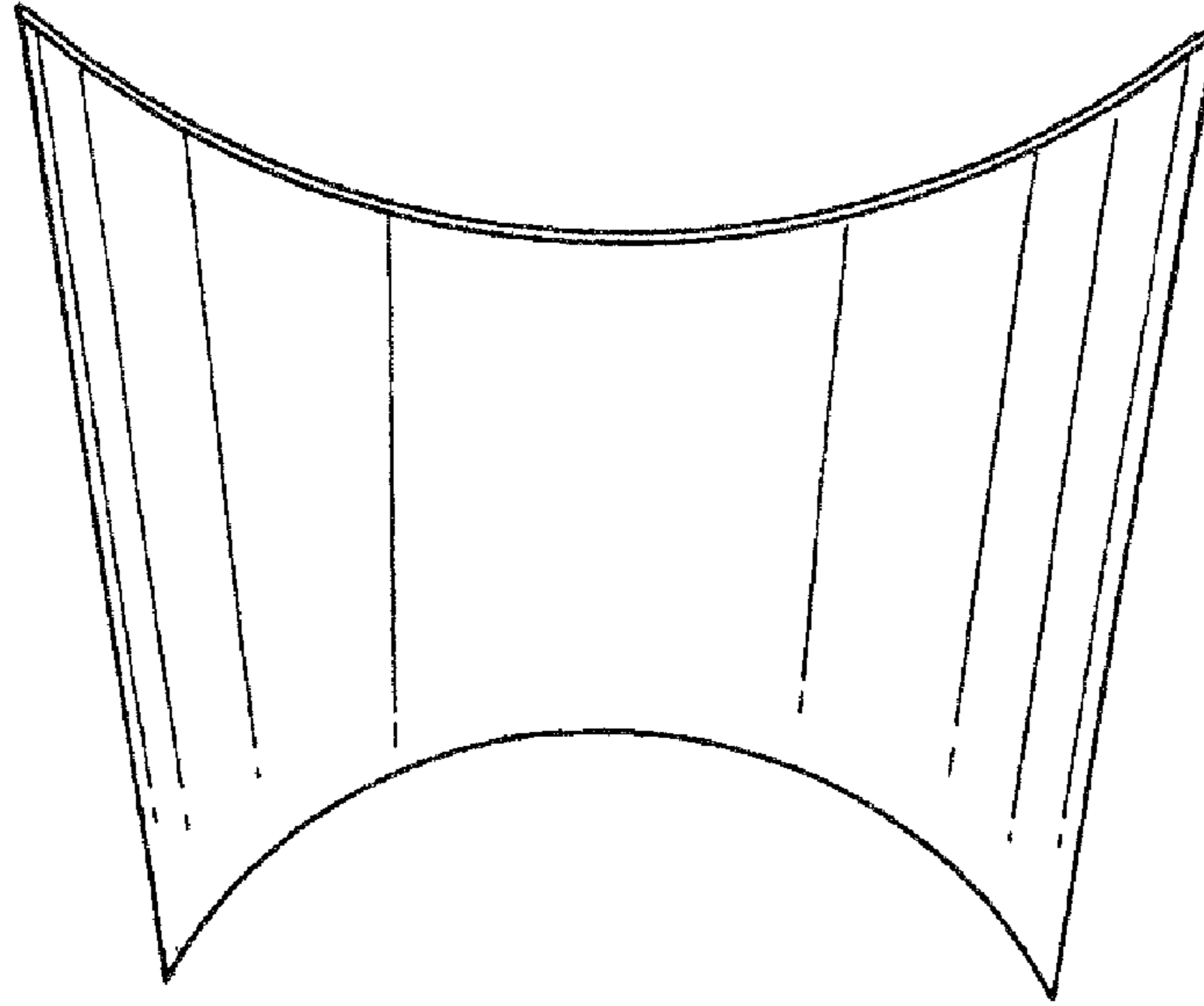


Fig. 3

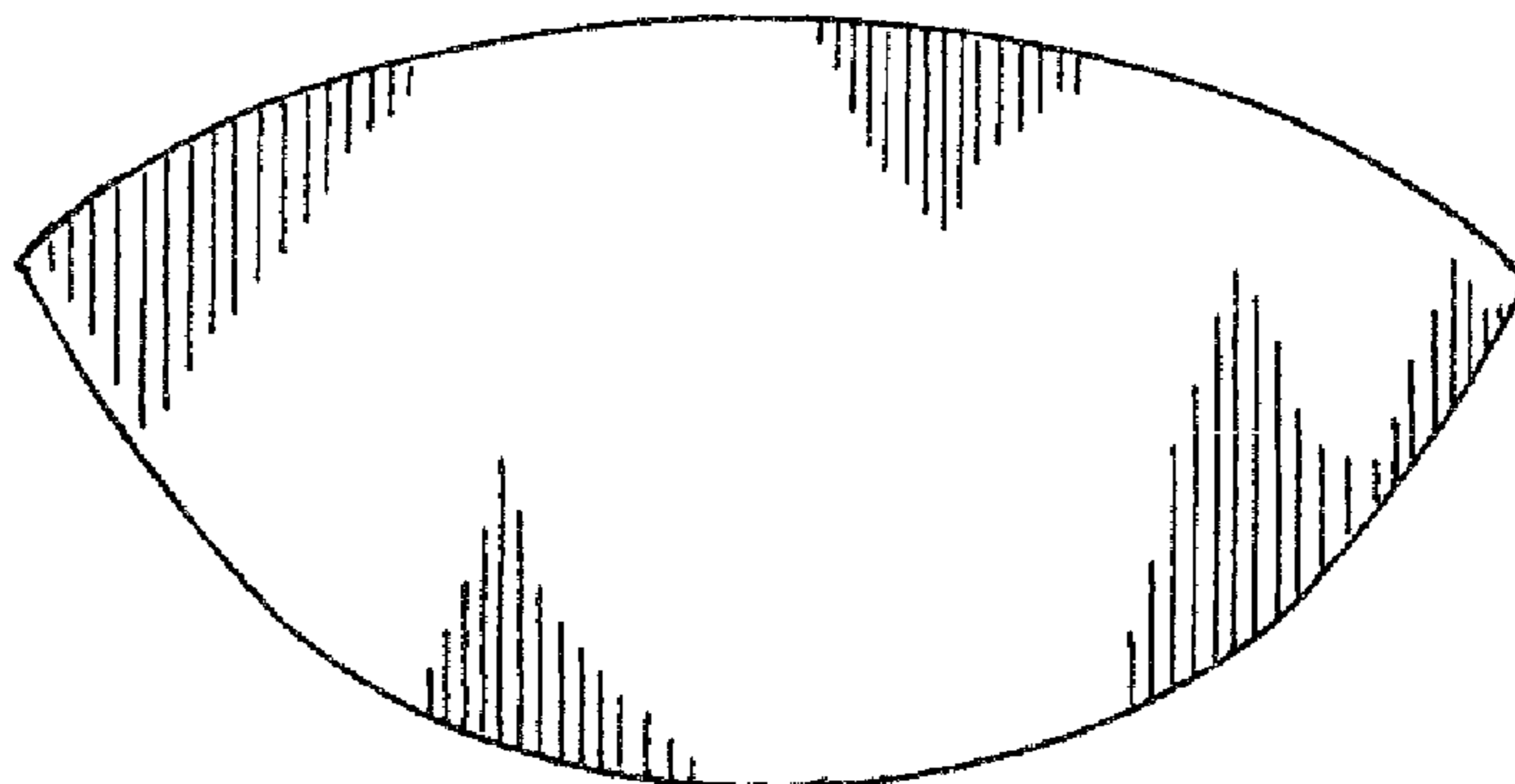


Fig. 4

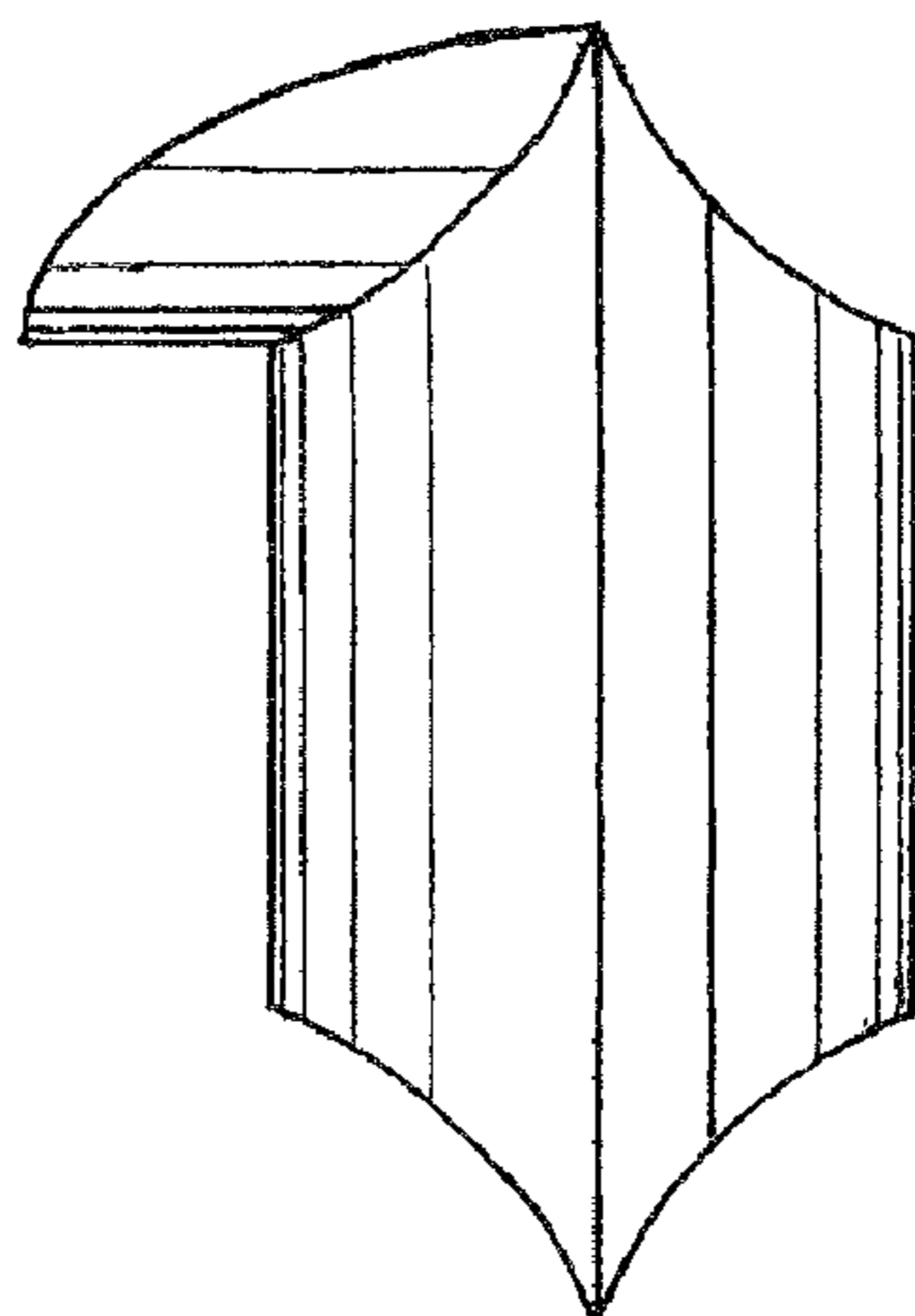


Fig. 5

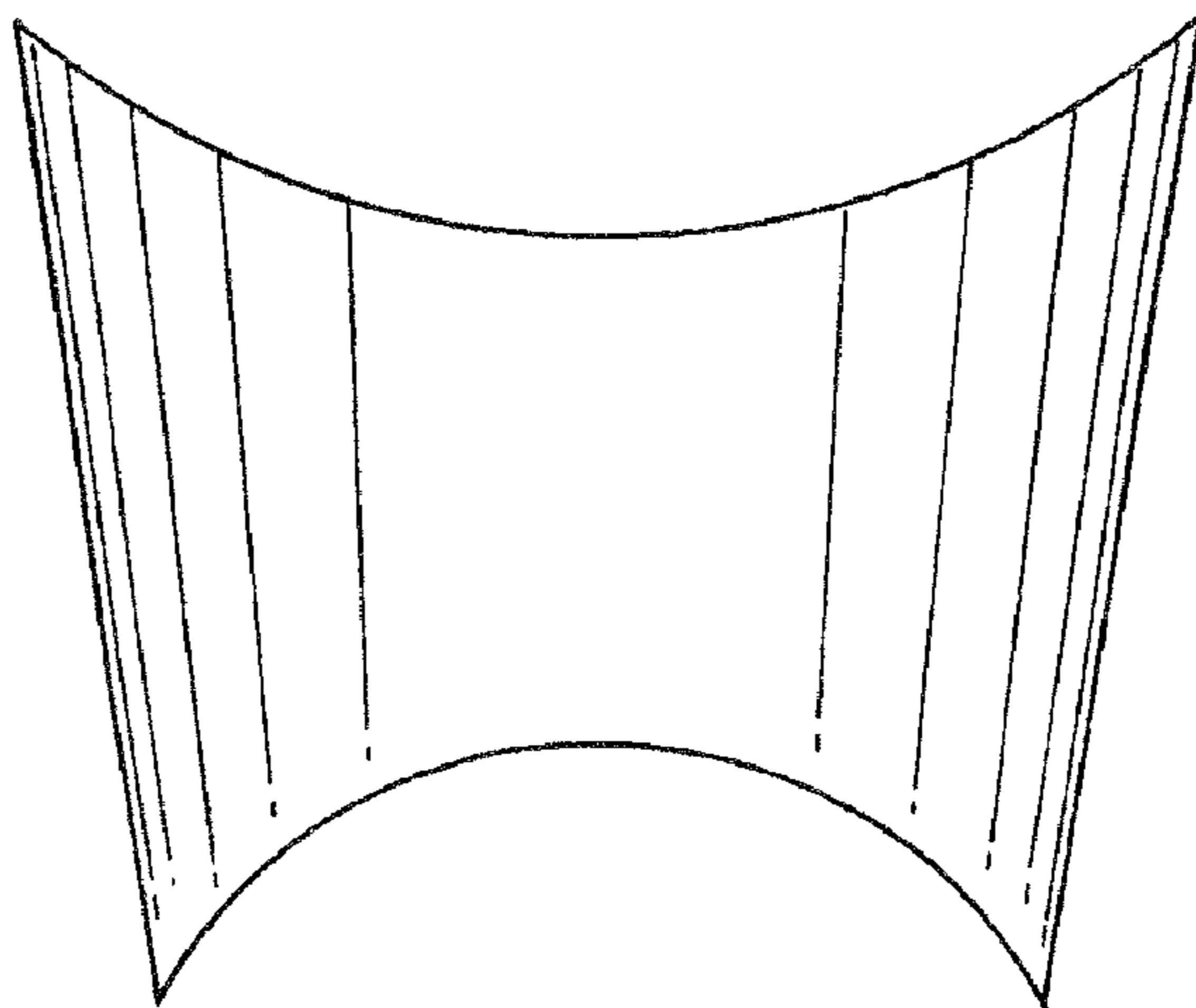


Fig. 6

