

US00D592502S

(12) **United States Design Patent**
Casebasse

(10) **Patent No.:** **US D592,502 S**
(45) **Date of Patent:** **** May 19, 2009**

(54) **CONTAINER**

(75) Inventor: **Stefano Casebasse**, Florence (IT)

(73) Assignee: **Alcas S.p.A.**, Florence (IT)

(**) Term: **14 Years**

(21) Appl. No.: **29/306,990**

(22) Filed: **Apr. 21, 2008**

(30) **Foreign Application Priority Data**

Oct. 22, 2007 (EM) 000813191

(51) **LOC (9) Cl.** **09-03**

(52) **U.S. Cl.** **D9/431**

(58) **Field of Classification Search** D9/430-433,
D9/414, 418, 420-423, 435, 560, 561; D3/201,
D3/272, 273, 305; 206/278, 297, 299, 320,
206/339, 433, 769, 770, 775, 776, 781, 782,
206/822; 299/100, 103.3, 104-106, 107,
299/108, 108.1, 110, 111, 112, 115, 117.16,
299/120, 125.015, 120.32, 133.24, 122.29,
299/124, 160.1, 162.1, 162.6, 163, 182.1,
299/201, 406, 407, 902, 904, 906, 922, 930,
299/939, 942; D7/602

See application file for complete search history.

(56) **References Cited**

U.S. PATENT DOCUMENTS

- D48,363 S * 1/1916 Carlson D9/431
- D95,326 S * 4/1935 Ganz D9/562
- D168,932 S * 3/1953 Frydlender D9/529
- D201,558 S * 7/1965 Reyes D6/483
- D214,132 S * 5/1969 Neimoller D27/152
- D246,269 S * 11/1977 Baker D26/129
- D256,650 S * 9/1980 Juster D7/629
- D264,440 S * 5/1982 Austin D9/431
- D266,619 S * 10/1982 Krech D99/5
- D271,378 S * 11/1983 Sun D9/424
- D272,605 S * 2/1984 Pelletier D9/431
- D272,606 S * 2/1984 Pelletier D9/431
- D283,797 S * 5/1986 Montealegre D9/431
- 4,792,470 A * 12/1988 Clark 428/12
- D317,262 S * 6/1991 Bluff D9/431
- D327,958 S * 7/1992 Grandesso et al. D28/91
- 5,224,623 A * 7/1993 LaFleur 220/669
- D363,455 S * 10/1995 Shryock D11/164

- D379,779 S * 6/1997 Shryock D11/164
- D398,847 S * 9/1998 Wyslowsky et al. D9/425
- D412,283 S * 7/1999 de Baschmakoff D9/544
- D455,075 S * 4/2002 Campbell D9/431
- D455,965 S * 4/2002 de Baschmakoff D9/560
- D464,882 S * 10/2002 Weinstein et al. D9/430
- D477,219 S * 7/2003 Waterhouse et al. D9/430
- D505,517 S * 5/2005 Baresi et al. D28/76
- D508,174 S * 8/2005 Miyakawa D6/482
- D509,109 S * 9/2005 Vovan D7/602
- D516,920 S * 3/2006 Abadinsky D9/542
- D530,211 S * 10/2006 Lloyd D9/542
- D549,587 S * 8/2007 Lestelle D9/560
- D566,573 S * 4/2008 Lestelle D9/560

OTHER PUBLICATIONS

Internet search for Alcas Nov. 12, 2008: Alcas S.P.A. website from Aug. 2006, Mini Mon Amor container in bottom center and in use in other illustrations. [http://web.archive.org/web/20068230082756/www.alcas.it/mma_ita.htm\(2 or 2\).](http://web.archive.org/web/20068230082756/www.alcas.it/mma_ita.htm(2 or 2).)*

(Continued)

Primary Examiner—T. Chase Nelson

Assistant Examiner—Karen Acker

(74) *Attorney, Agent, or Firm*—Steinfl & Bruno

(57) **CLAIM**

The ornamental design for the container, as shown and described.

DESCRIPTION

FIG. 1 is a top, front and side perspective view of the container.

FIG. 2 is a front view of the container.

FIG. 3 is a rear view of the container.

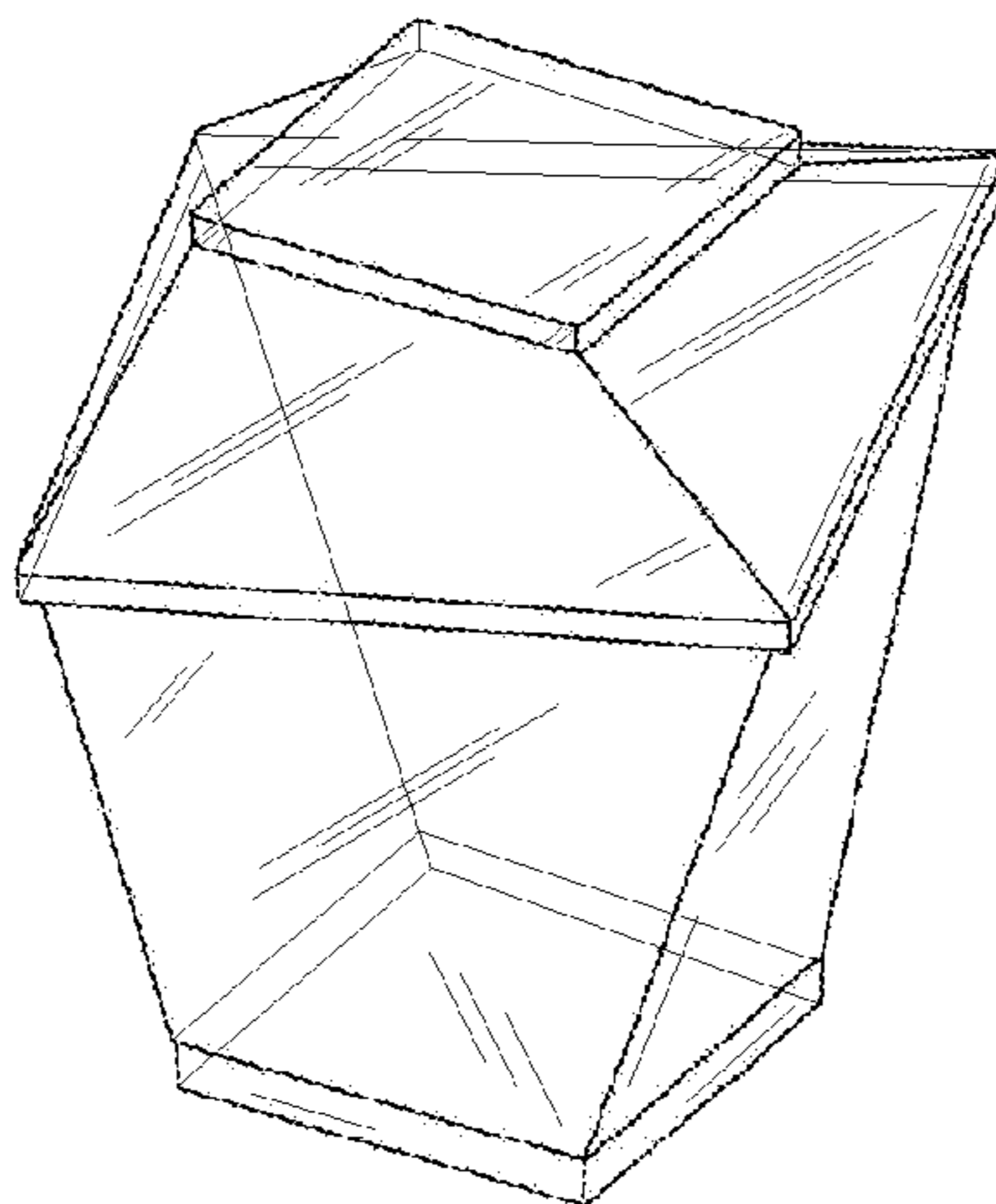
FIG. 4 is a right side view of the container

FIG. 5 is a left side view of the container; and,

FIG. 6 is a top view of the container.

FIG. 7 is a bottom view of the container.

1 Claim, 2 Drawing Sheets



OTHER PUBLICATIONS

Internet search for Alcas Nov. 12, 2008: current official website www.alca.it, Mini Mon Amor Charme container at www.minimonamour.it, http://74.125.93.104/translate__c?hl=en&sl=it&u=www.minimonamour...nze,%2BItaly%26hl%3Den%26sa%3DG&usg=ALkJrhjihPY6dpulXns3yzoUwxA4QMO6Vw.*

Internet search for Alcas Nov. 12, 2008: Mini Mon Amor Charme container, http://translate.google.com/translate?hl=en&sl=it&u=www.minimonam...t=result&prev=/search%3Fq%3DALCAS,%2BFirenze,%2BItaly%26hl%3Den%26sa%3DG.*

* cited by examiner

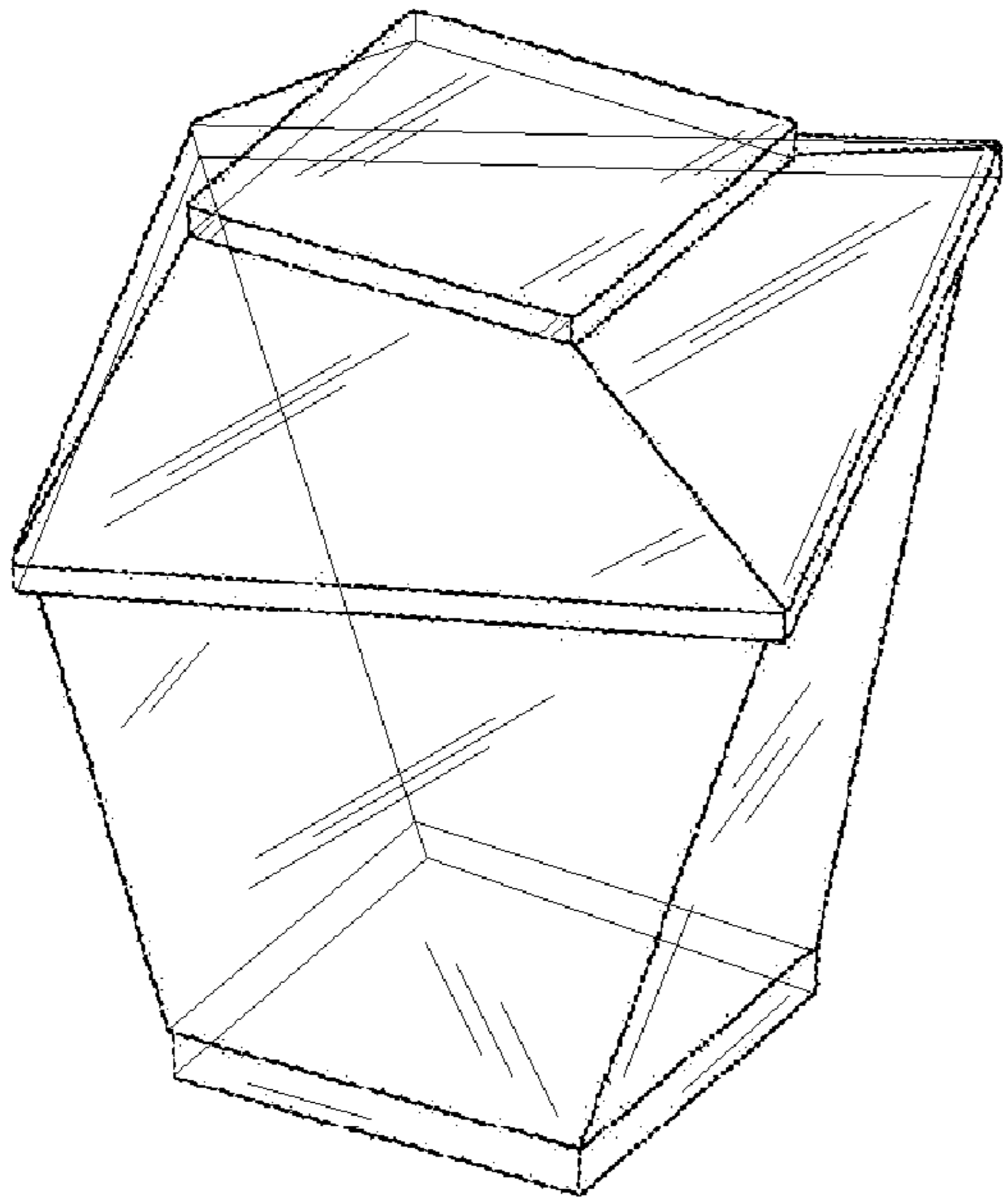


FIG. 1

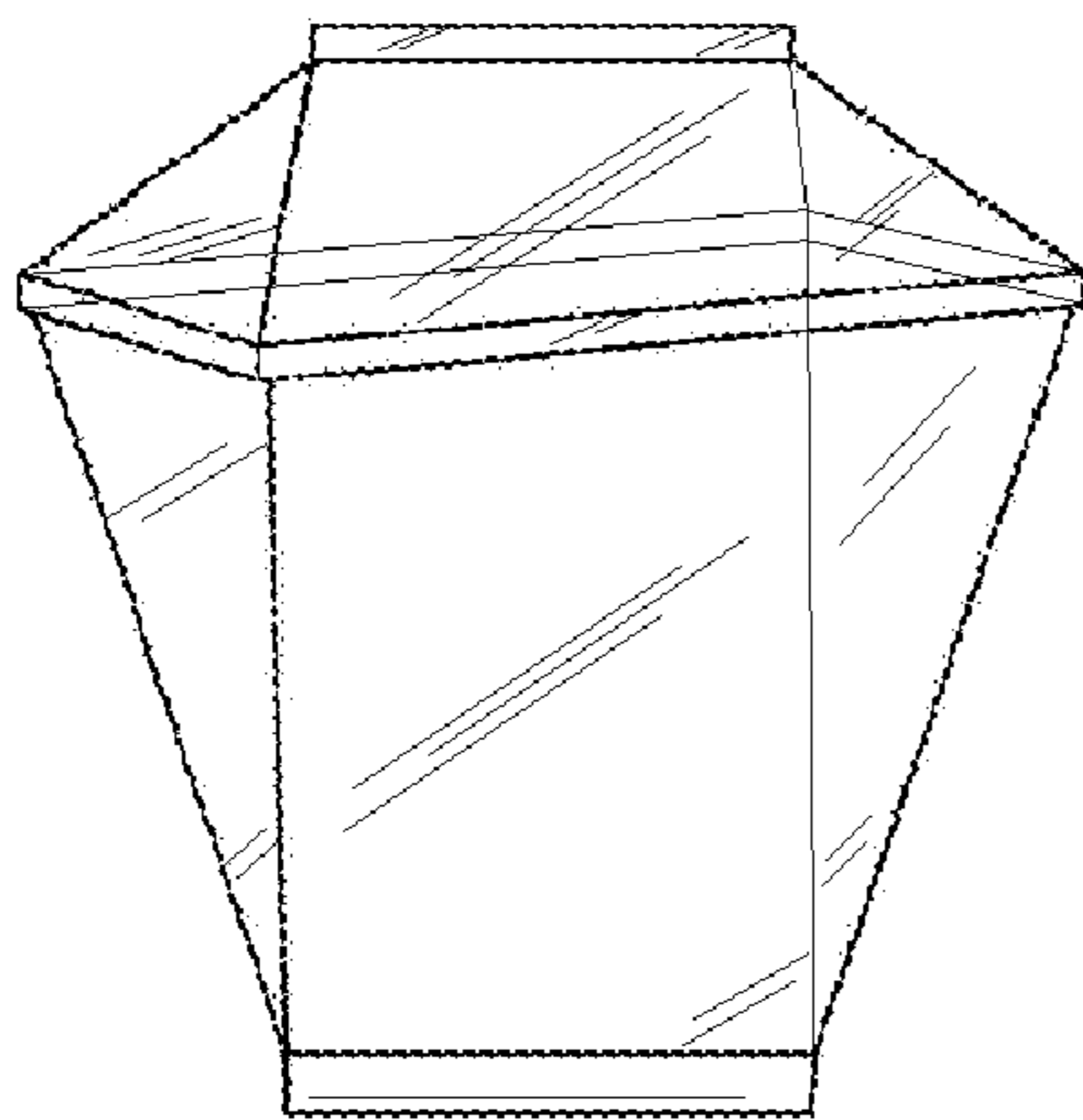


FIG. 2

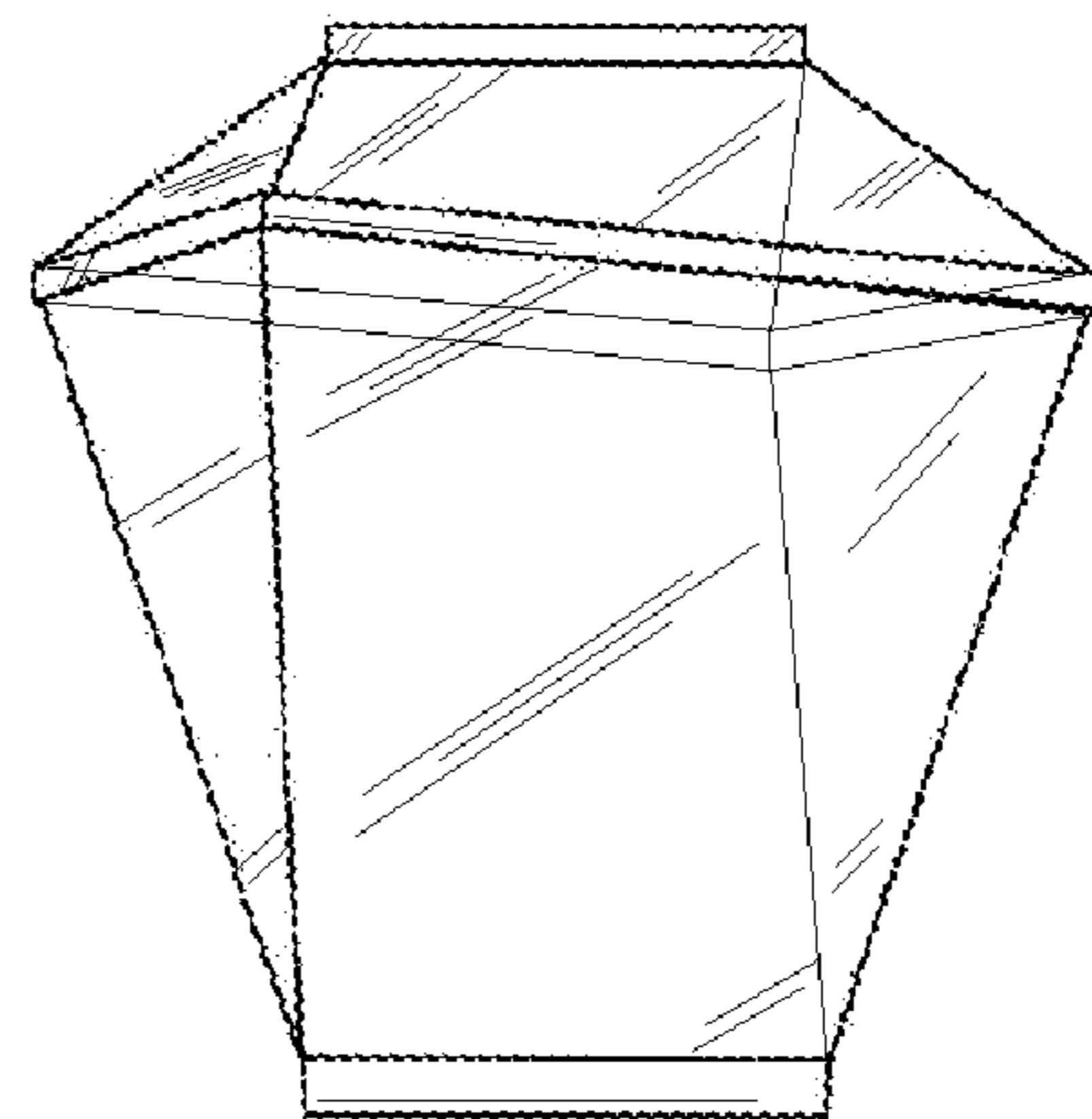


FIG. 3

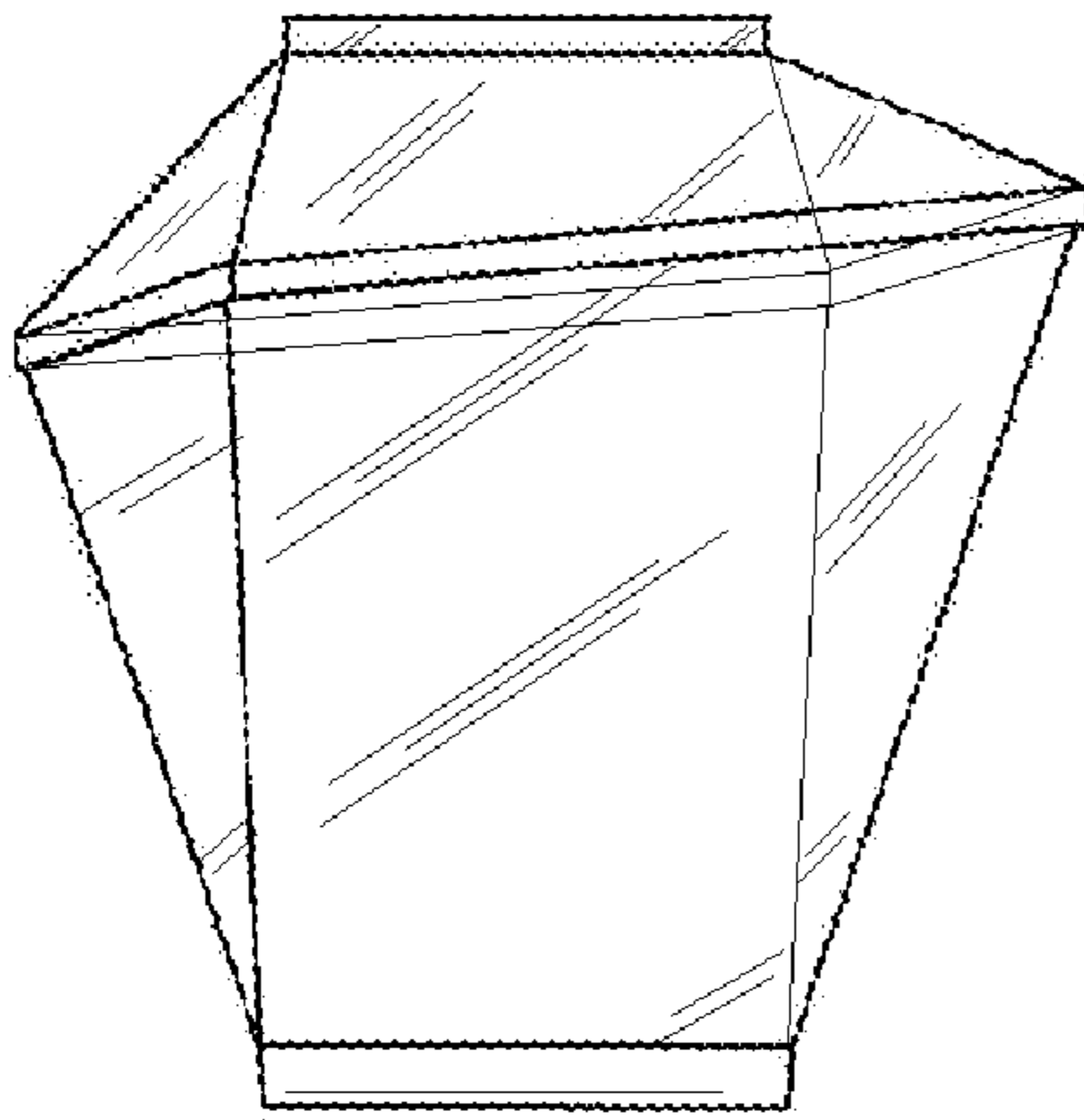


FIG. 4

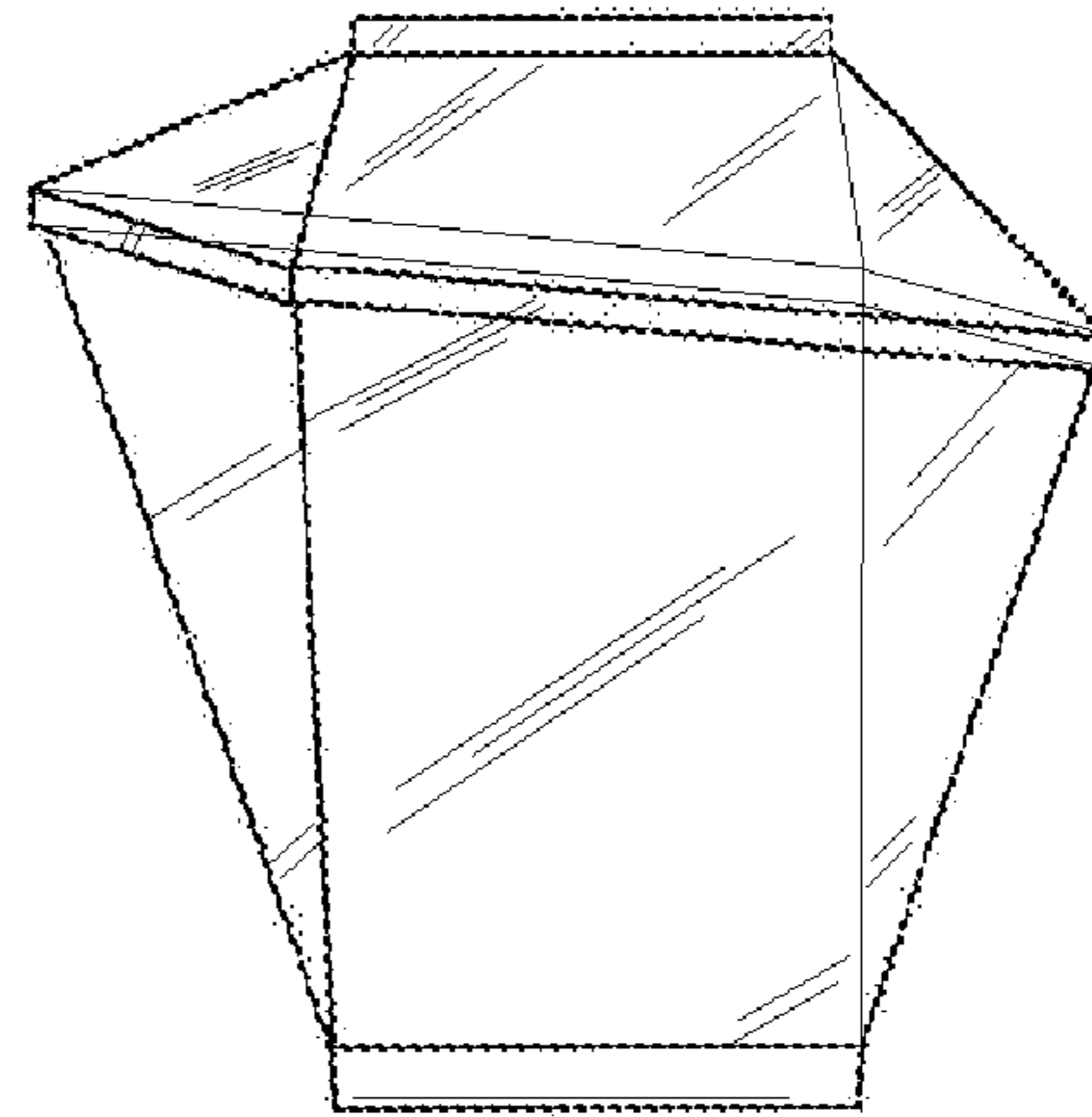


FIG. 5

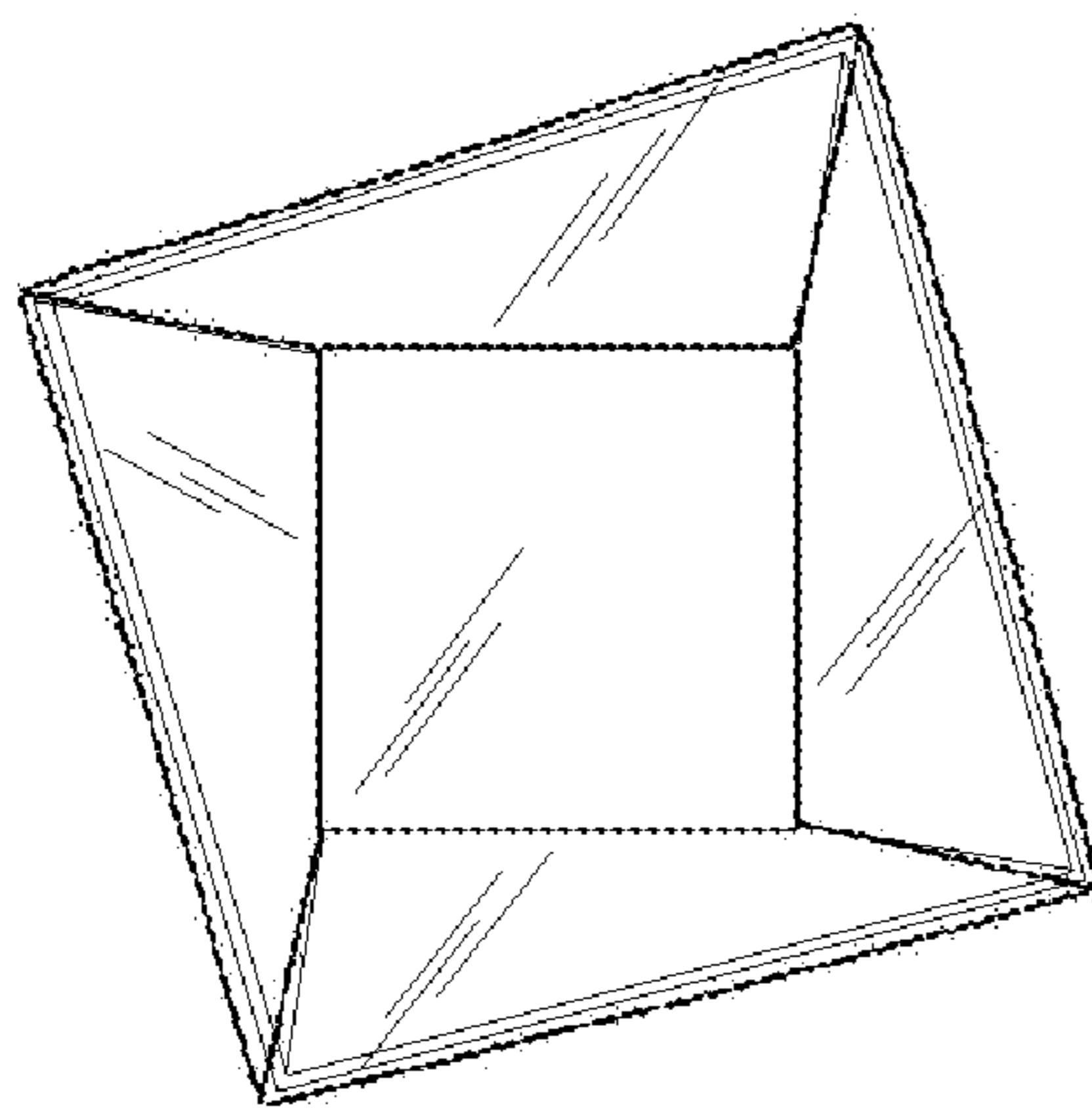


FIG. 6

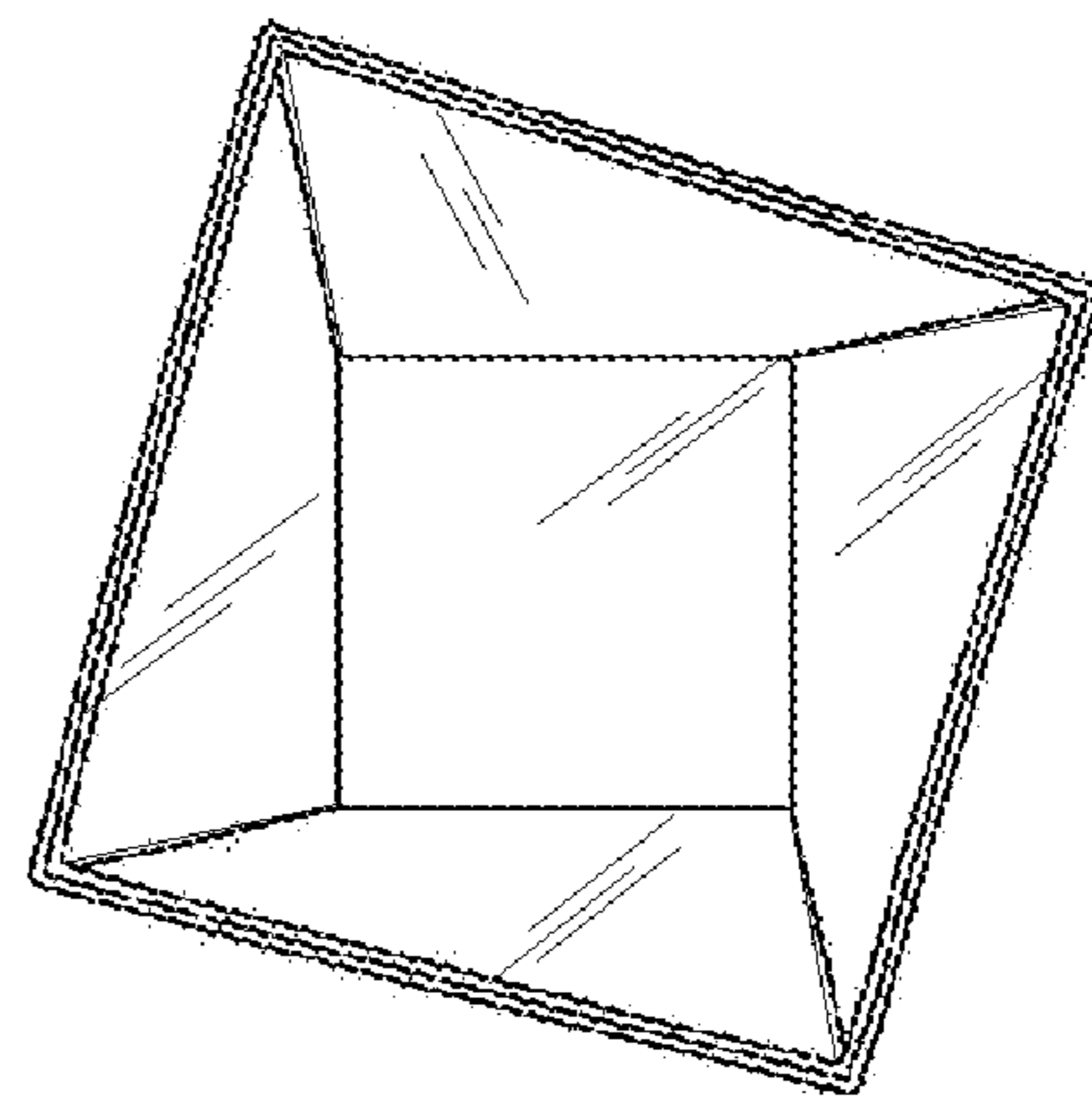


FIG. 7

UNITED STATES PATENT AND TRADEMARK OFFICE
CERTIFICATE OF CORRECTION

PATENT NO. : Des. 592,502 S
APPLICATION NO. : 29/306990
DATED : May 19, 2009
INVENTOR(S) : Stefano Casebasse

Page 1 of 1

It is certified that error appears in the above-identified patent and that said Letters Patent is hereby corrected as shown below:

Title Page

In the description, the following paragraph should be added at the beginning, before the listing of the figures:

“This design application claims priority to European Community design application No. 000813191 filed on October 22, 2007, which is incorporated herein by reference. All the material from European Community design application No. 000813191, which is essential to the claimed design, is included in this application. Any material in European Community design application No. 000813191, which is not present in this application, forms no part of the claimed design.”

Signed and Sealed this

Twenty-fifth Day of August, 2009



David J. Kappos
Director of the United States Patent and Trademark Office