



US00D592501S

(12) **United States Design Patent**
Bone et al.

(10) **Patent No.:** **US D592,501 S**

(45) **Date of Patent:** **** May 19, 2009**

(54) **PACKAGING**

(75) Inventors: **Lawrence A. Bone**, Dingmans Ferry, PA
(US); **Joanne Grennille**, Milford, PA
(US)

(73) Assignee: **MARS, Incorporated**, McLean, VA
(US)

(**) Term: **14 Years**

(21) Appl. No.: **29/302,477**

(22) Filed: **Jan. 17, 2008**

(51) **LOC (9) Cl.** **09-03**

(52) **U.S. Cl.** **D9/431**

(58) **Field of Classification Search** D9/430-433,
D9/414-418, 420-429, 560, 737, 756, 443;
D3/273, 302; 206/421, 454, 457, 775-778,
206/784, 822; 220/500, 523-529, 552, 555;
229/100, 103.3, 104-106, 108, 108.1, 109,
229/110, 111, 112, 117.09, 117.12, 117.15,
229/120, 125.015, 160.1, 162.1, 182.1, 215,
229/247, 406, 407, 902, 920, 922, 930, 942,
229/4.5; 40/306; 47/73, 74

See application file for complete search history.

(56) **References Cited**

U.S. PATENT DOCUMENTS

D39,142 S * 2/1908 Marcuse D9/414
D46,889 S * 1/1915 Smith D3/205
1,743,681 A * 1/1930 Neuman 206/299
D87,489 S * 8/1932 Rynveld D9/418
D153,268 S * 4/1949 Eaton D9/432
2,687,159 A * 8/1954 Dobbs et al. 150/151
2,923,455 A * 2/1960 Tingley 229/117.13
3,403,839 A * 10/1968 Farquhar 229/112
3,924,800 A * 12/1975 Desmond et al. 229/101
D250,748 S * 1/1979 Leger D9/420
4,243,171 A * 1/1981 Prin 229/117.16

D263,116 S * 2/1982 Cain D9/654
4,484,683 A * 11/1984 Werner, Jr. 229/101.2
D346,490 S * 5/1994 Prosa D3/247
D371,965 S * 7/1996 Kinni D9/432
D375,898 S * 11/1996 Bolton D9/415
D420,582 S * 2/2000 Zellner et al. D9/418
D425,413 S * 5/2000 Heeley et al. D9/415
D439,513 S * 3/2001 Teasdale et al. D9/415
6,478,216 B2 * 11/2002 Wiart 229/101
D488,062 S * 4/2004 Shannon D9/418
D509,733 S * 9/2005 Jongens D9/430
D533,450 S * 12/2006 Edwards et al. D9/431

OTHER PUBLICATIONS

U.S. Appl. No. 29/318,930, filed May 30, 2008, by Lawrence A. Bone et al., entitled "Packaging".

* cited by examiner

Primary Examiner—T. Chase Nelson

Assistant Examiner—Karen Acker

(74) *Attorney, Agent, or Firm*—Arent Fox LLP

(57) **CLAIM**

The ornamental design for the packaging, as shown and described.

DESCRIPTION

FIG. 1 is a perspective view of a packaging showing our new design;

FIG. 2 is a front view of the design shown in FIG. 1;

FIG. 3 is a rear view of the design shown in FIG. 1;

FIG. 4 is a top view of the design shown in FIG. 1;

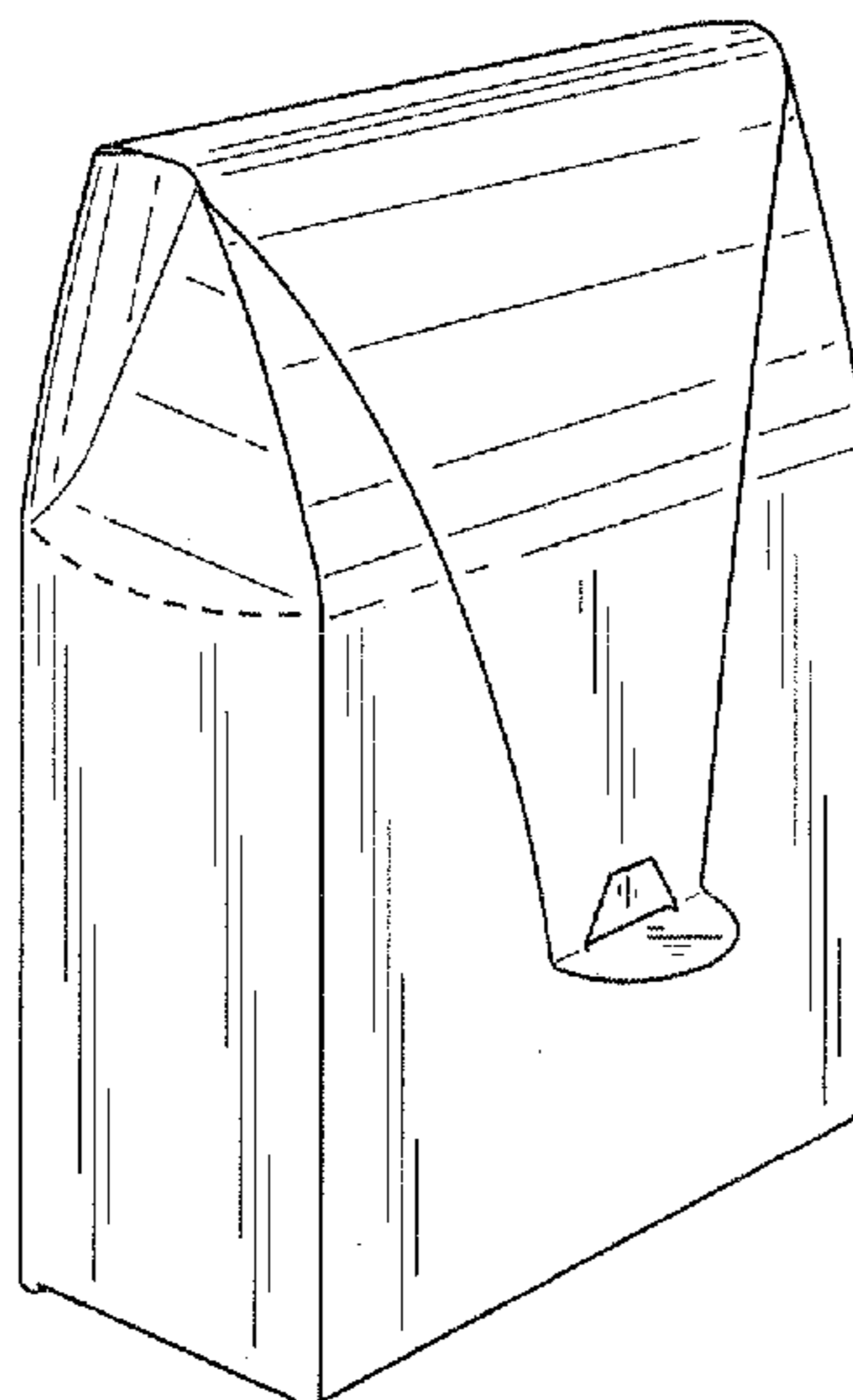
FIG. 5 is a bottom view of the design shown in FIG. 1;

FIG. 6 is a left side view of the design shown in FIG. 1; and,

FIG. 7 is a right side view of the design shown in FIG. 1.

The broken lines in FIGS. 1, 6 and 7 illustrate fold lines and form part of the claimed design.

1 Claim, 4 Drawing Sheets



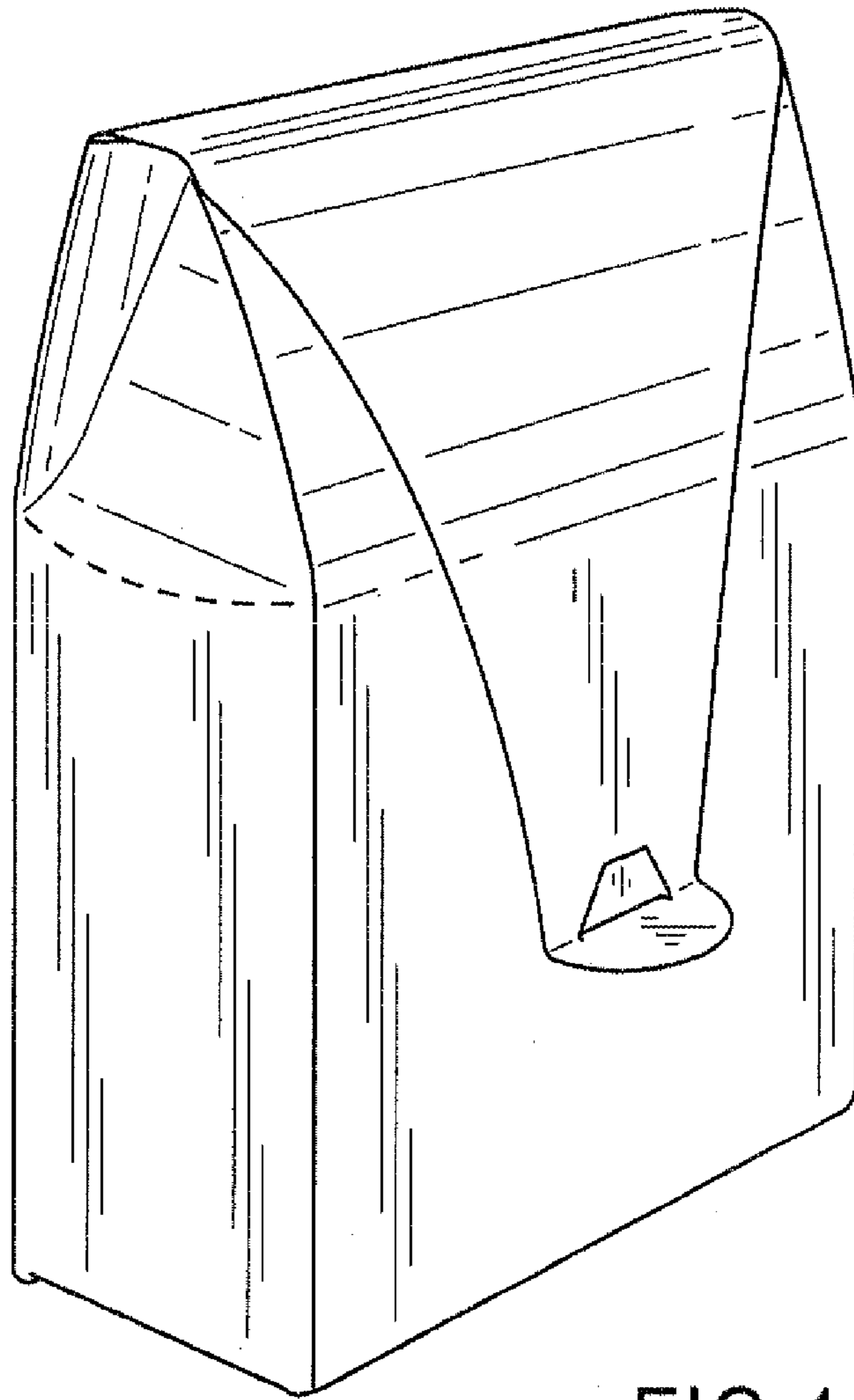


FIG. 1

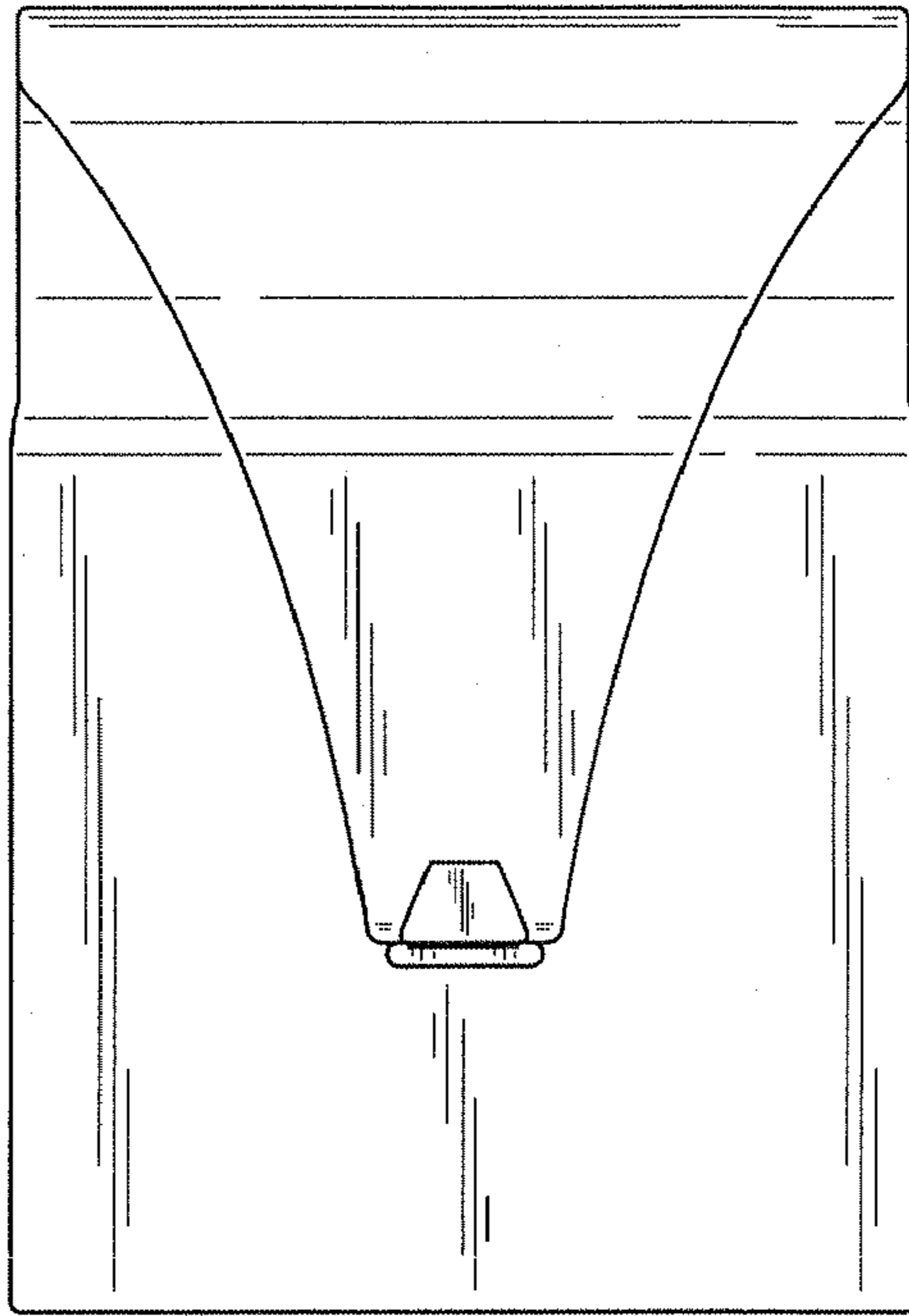


FIG. 2

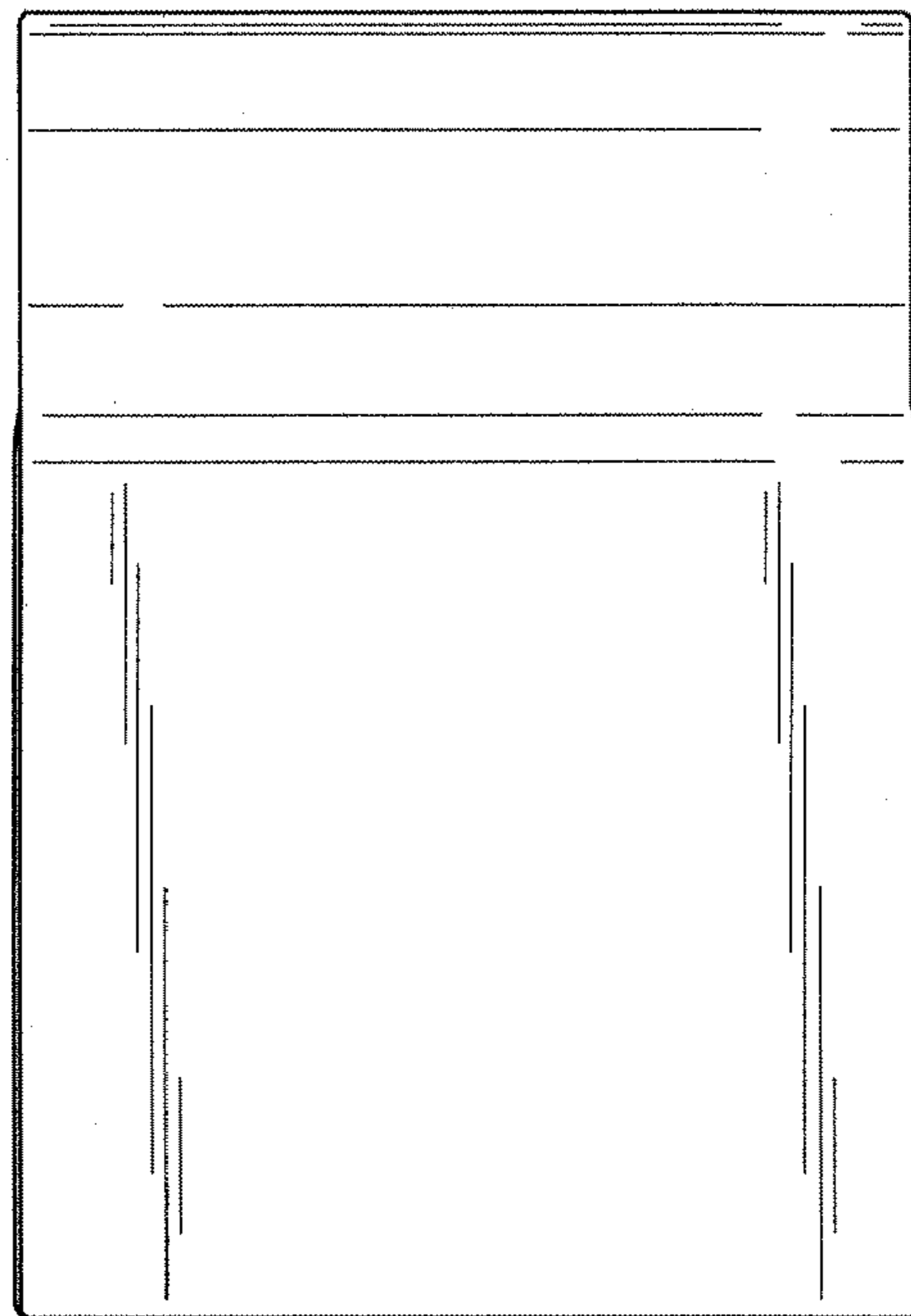


FIG. 3

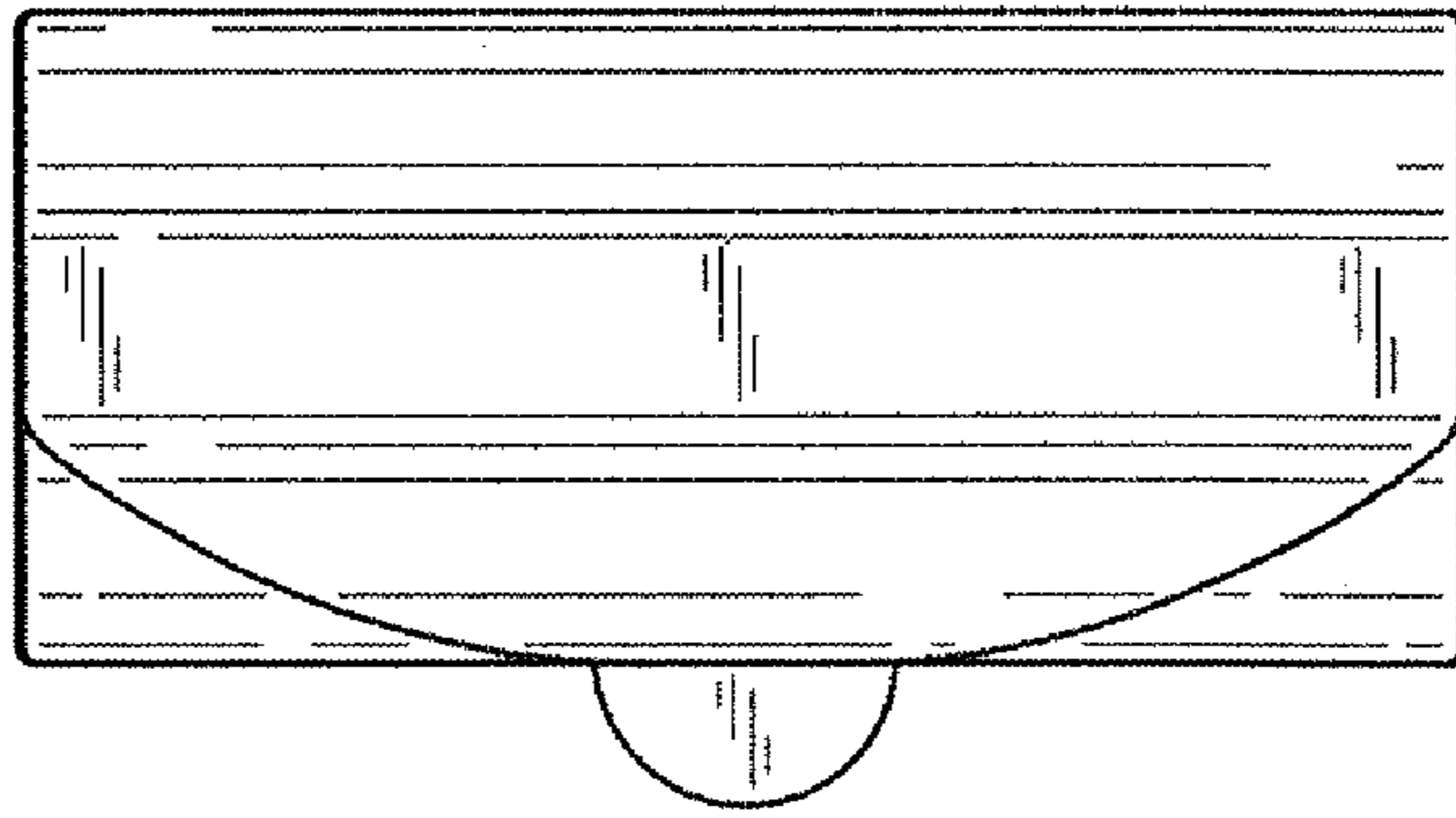


FIG. 4

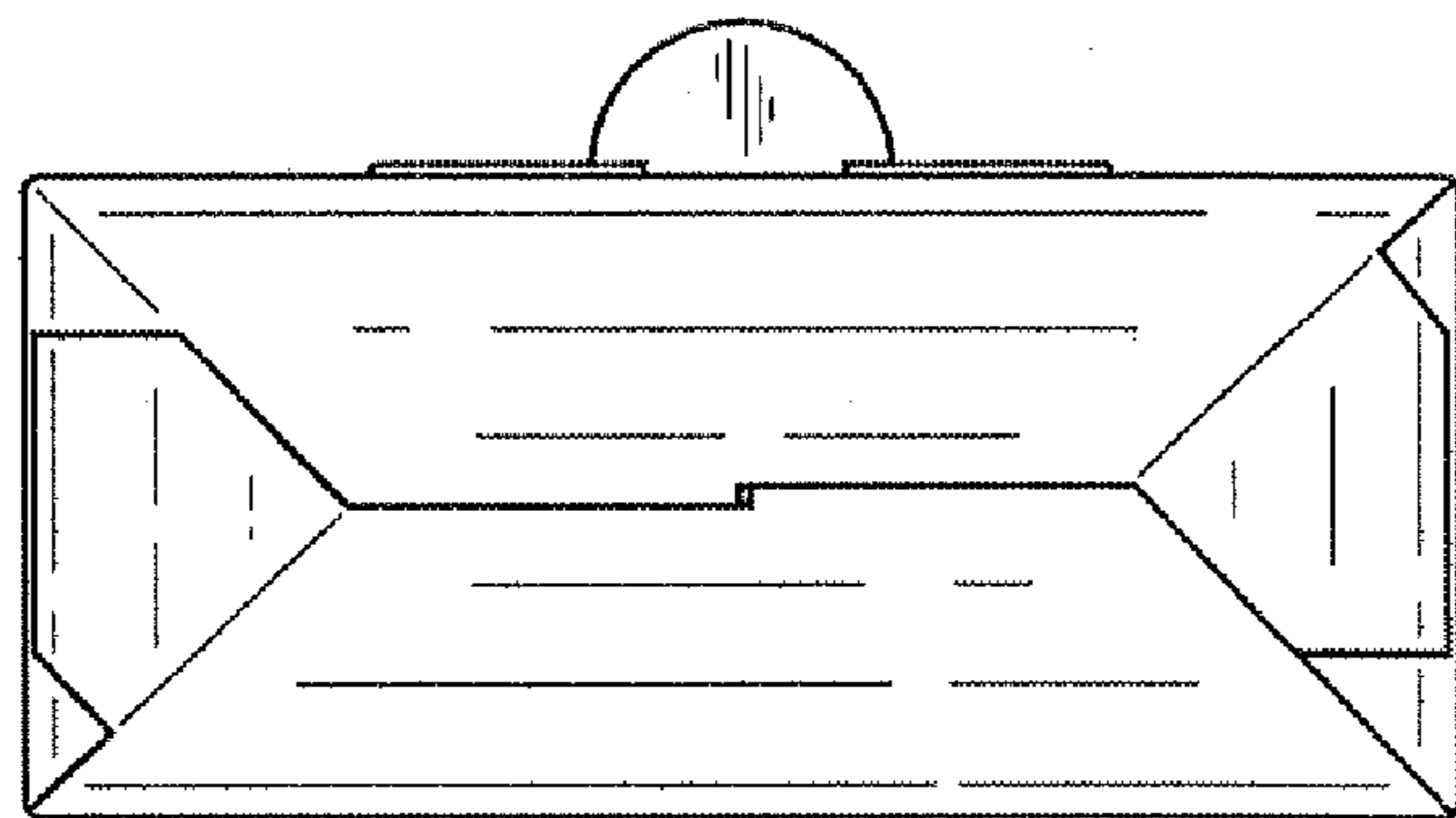


FIG. 5

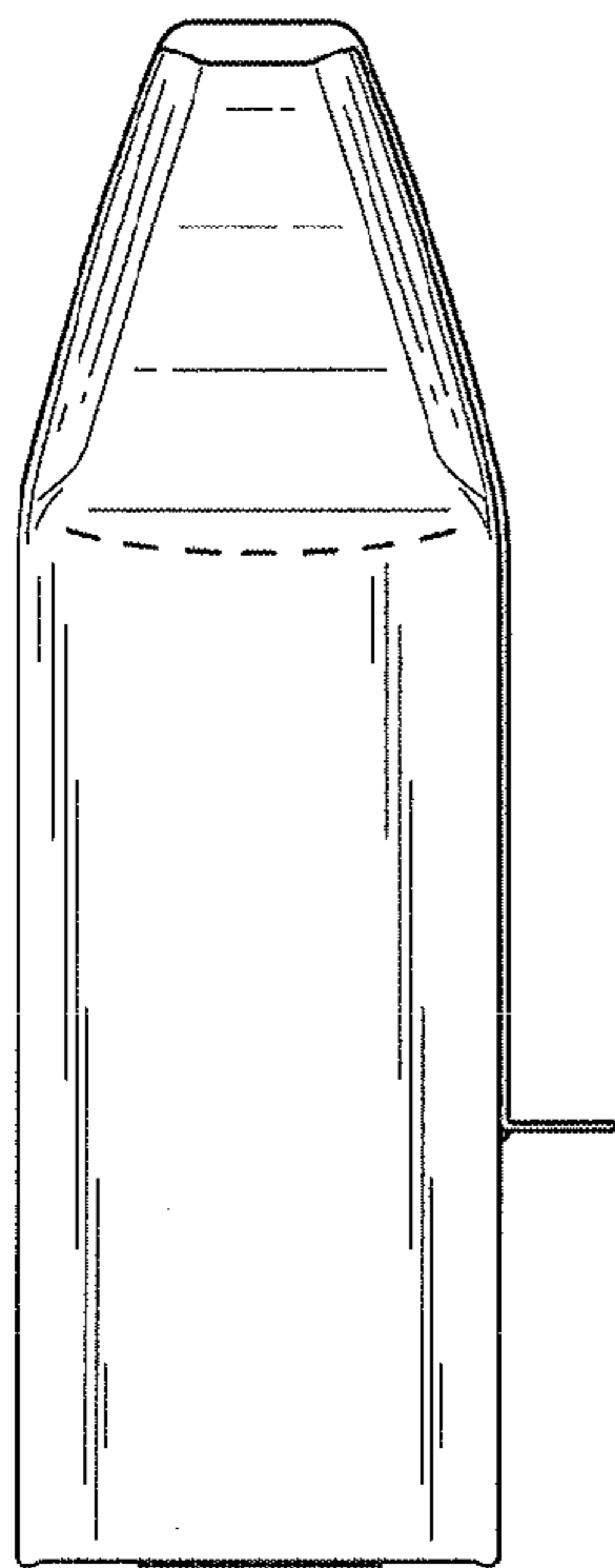


FIG.6

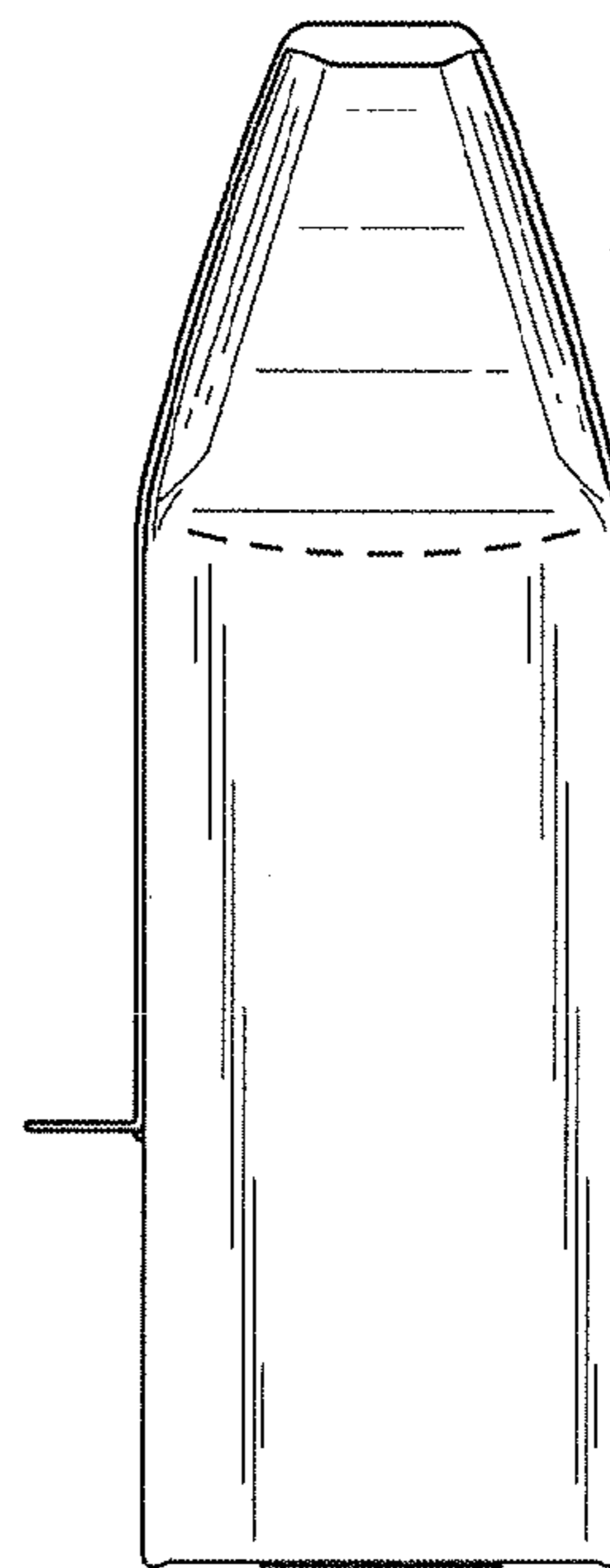


FIG.7