



US00D592500S

(12) **United States Design Patent**
Colacitti

(10) **Patent No.:** **US D592,500 S**
(45) **Date of Patent:** **** May 19, 2009**

(54) **RECTANGULAR VENTED CONTAINER**

(75) Inventor: **Gregory Colacitti**, Toronto (CA)

(73) Assignee: **Tripak Industrial Corporation**,
Toronto, Ontario (CA)

(**) Term: **14 Years**

(21) Appl. No.: **29/317,175**

(22) Filed: **Apr. 23, 2008**

(51) **LOC (9) Cl.** **09-03**

(52) **U.S. Cl.** **D9/425; D7/354**

(58) **Field of Classification Search** D7/354,
D7/359, 391-392.1, 396.2, 500-505, 510-511,
D7/538-545, 602, 629; D9/414-418, 420-429,
D9/430-435, 440, 443-444, 447-454, 629,
D9/737, 761; 206/503, 521.1, 541, 564;
220/23.8, 23.83, 315, 324, 326, 367, 556,
220/835; 229/110, 406-407, 902-906

See application file for complete search history.

(56) **References Cited**

U.S. PATENT DOCUMENTS

2,880,859 A	4/1959	Tupper	
3,394,861 A	7/1968	Truax	
3,720,365 A	3/1973	Unger	
3,955,710 A	5/1976	Commisso	
D246,289 S	11/1977	Boucher	
D263,684 S	4/1982	Davis	
RE32,739 E	8/1988	Terauds	
4,974,738 A	12/1990	Kidd et al.	
5,046,659 A	9/1991	Warburton	
D335,085 S	4/1993	Wacker	
5,220,999 A	6/1993	Goulette	
D339,744 S	9/1993	Seppala	
D348,608 S *	7/1994	Wyslotsky	D9/425
D352,454 S *	11/1994	Krupa	D9/425
5,377,860 A	1/1995	Littlejohn et al.	
D357,552 S	4/1995	Carranza	
D361,035 S	8/1995	Krupa	

D363,879 S	11/1995	Krupa et al.
5,515,993 A	5/1996	McManus
D372,862 S	8/1996	Fiori
D373,954 S	9/1996	Wolff

(Continued)

Primary Examiner—Caron Veynar

Assistant Examiner—Ricky Pham

(74) *Attorney, Agent, or Firm*—Pabst Patent Group LLP

(57) **CLAIM**

The ornamental design for a rectangular vented container, as shown and described.

DESCRIPTION

FIG. 1 is a front elevational view of the container with lid, with the rear elevational view being a mirror image thereof;

FIG. 2 is a side elevational view of the container with lid, with the opposite side elevational view being a mirror image thereof;

FIG. 3 is a top plan view of the container with lid;

FIG. 4 is a bottom plan view of the container with lid;

FIG. 5 is a perspective view of the container with lid;

FIG. 6 is a front elevational view of the container, with the rear elevational view being a mirror image thereof; shown without the lid for ease of illustration;

FIG. 7 is a side elevational view of the container, with the opposite side elevational view being a mirror image thereof;

FIG. 8 is a perspective view of the container;

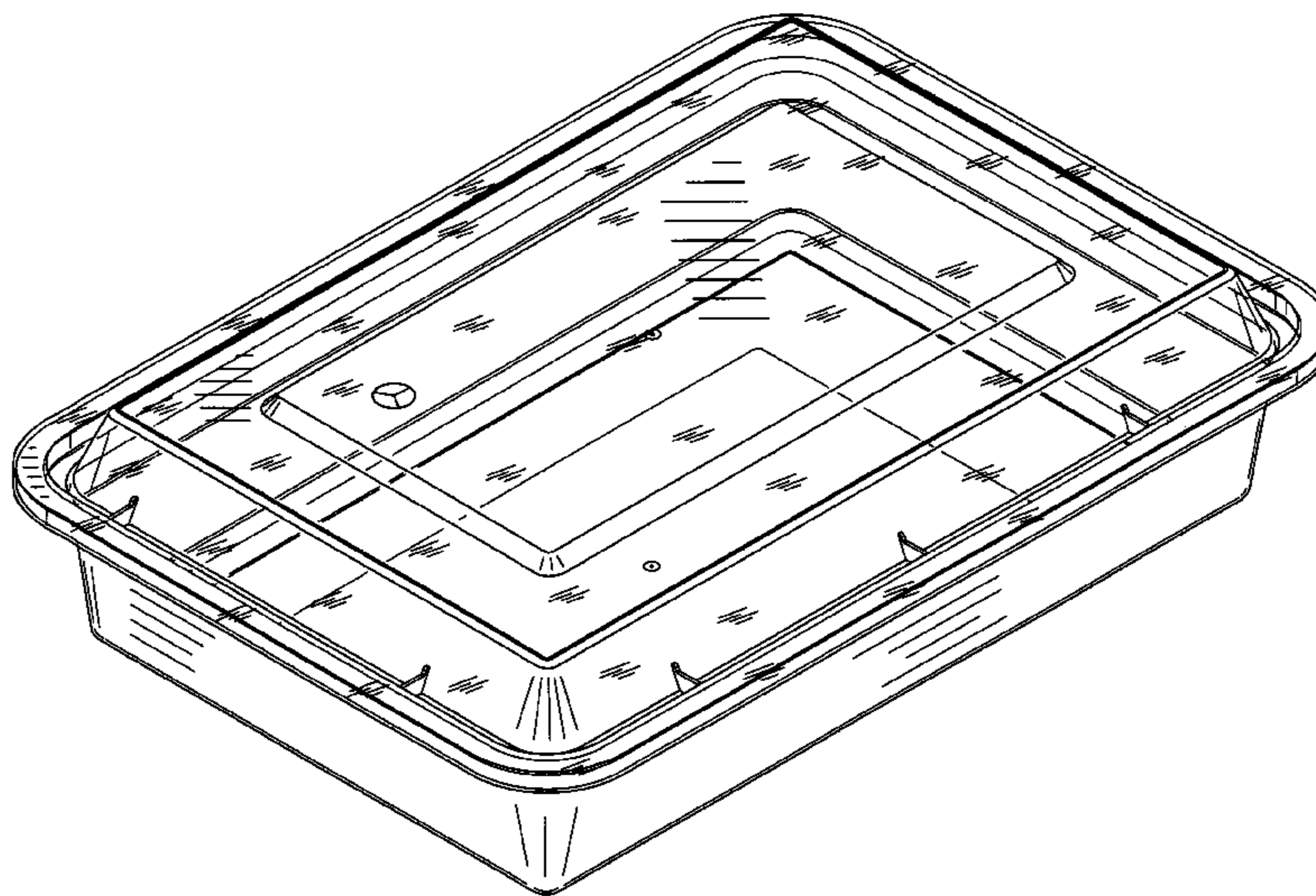
FIG. 9 is a front elevational view of the lid, with the rear elevational view being a mirror image thereof; shown without the container for ease of illustration;

FIG. 10 is a side elevational view of the lid, with the opposite side elevational view being a mirror image thereof;

FIG. 11 is a top plan view of the lid; and,

FIG. 12 is a bottom plan view of the lid.

1 Claim, 9 Drawing Sheets



US D592,500 S

Page 2

U.S. PATENT DOCUMENTS

D375,261 S	11/1996	Fiori		D470,048 S *	2/2003	Buchalski et al.	D9/425
D376,314 S	12/1996	Krupa		D475,620 S *	6/2003	Chen et al.	D9/425
D380,124 S	6/1997	Kato et al.		D500,674 S *	1/2005	Chou	D9/737
D382,796 S	8/1997	Mangla		D502,061 S *	2/2005	Dais et al.	D7/629
D389,057 S	1/1998	Hayes et al.		D503,336 S *	3/2005	Tucker et al.	D9/425
D407,015 S	3/1999	Jones		D531,028 S *	10/2006	Weiss et al.	D9/435
5,897,011 A	4/1999	Brilliant et al.		D531,501 S *	11/2006	Gomoll et al.	D9/435
D409,485 S	5/1999	Christy, Jr.		D546,632 S *	7/2007	Oberloier	D7/629
D415,420 S	10/1999	Chen		D553,490 S *	10/2007	Yang	D9/425
D417,367 S *	12/1999	Laib	D7/602	D569,243 S *	5/2008	Kidd et al.	D9/425
D427,063 S *	6/2000	May	D9/425	D570,681 S *	6/2008	Hussain et al.	D9/425
D439,159 S	3/2001	Chen		D572,582 S *	7/2008	Lynn et al.	D9/426
D448,288 S *	9/2001	Zettle et al.	D9/425	D573,015 S *	7/2008	Chen	D9/427
D448,991 S *	10/2001	Zettle et al.	D9/425	D577,578 S *	9/2008	Lynn et al.	D9/425
D466,808 S *	12/2002	Liu et al.	D9/425	D577,579 S *	9/2008	Lynn et al.	D9/426
D468,637 S *	1/2003	Chou	D9/425	D579,326 S *	10/2008	Chen	D9/427
D469,689 S	2/2003	Buchalski et al.		2004/0007583 A1 *	1/2004	Lin	220/835
				2008/0116098 A1 *	5/2008	Marooflan et al.	206/503

* cited by examiner

FIG. 1

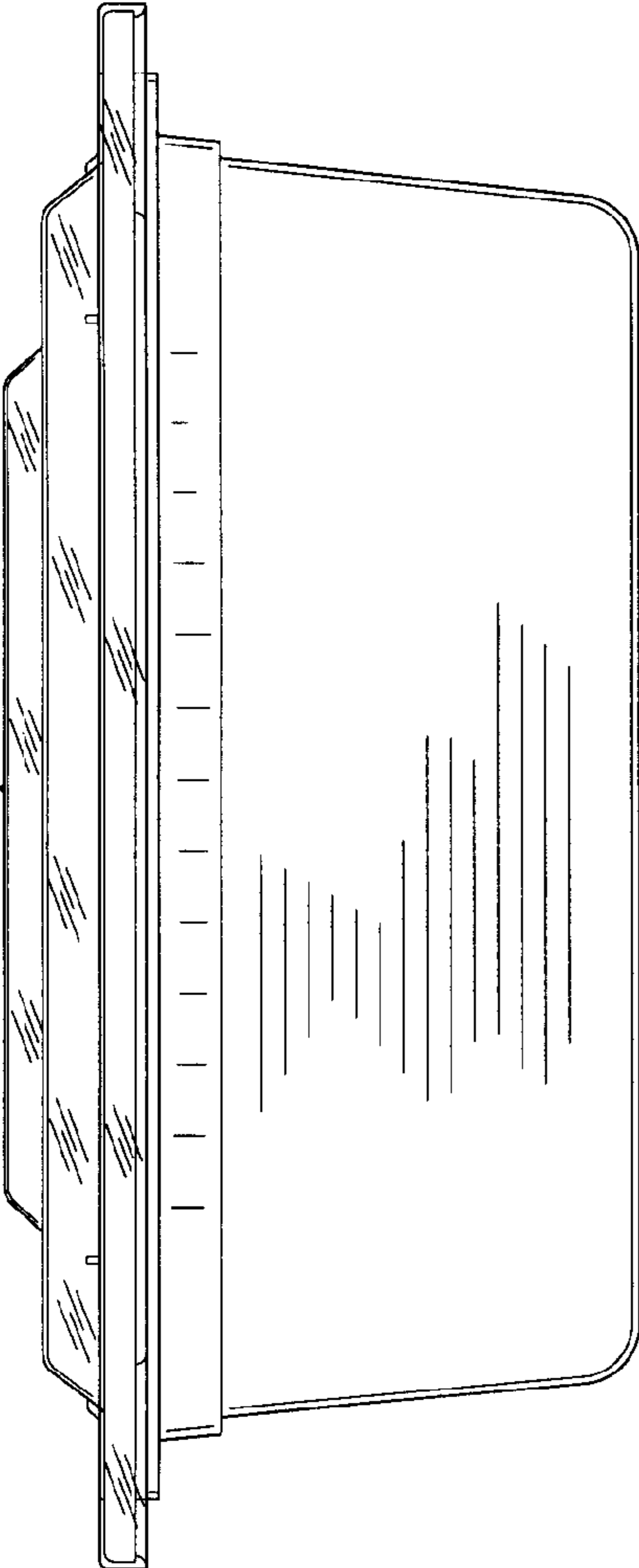
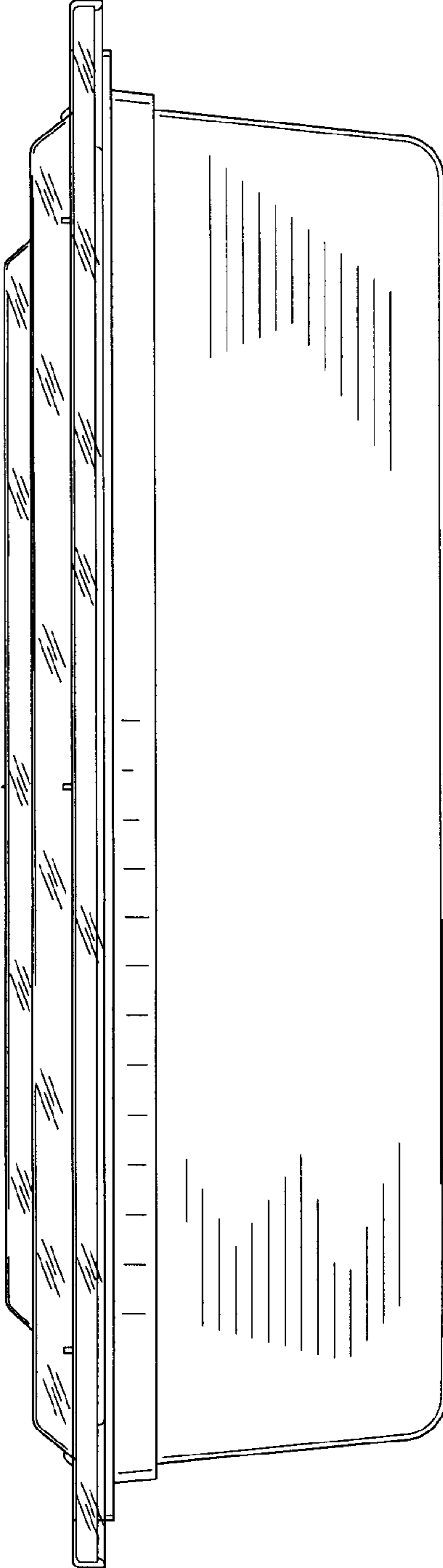


FIG. 2



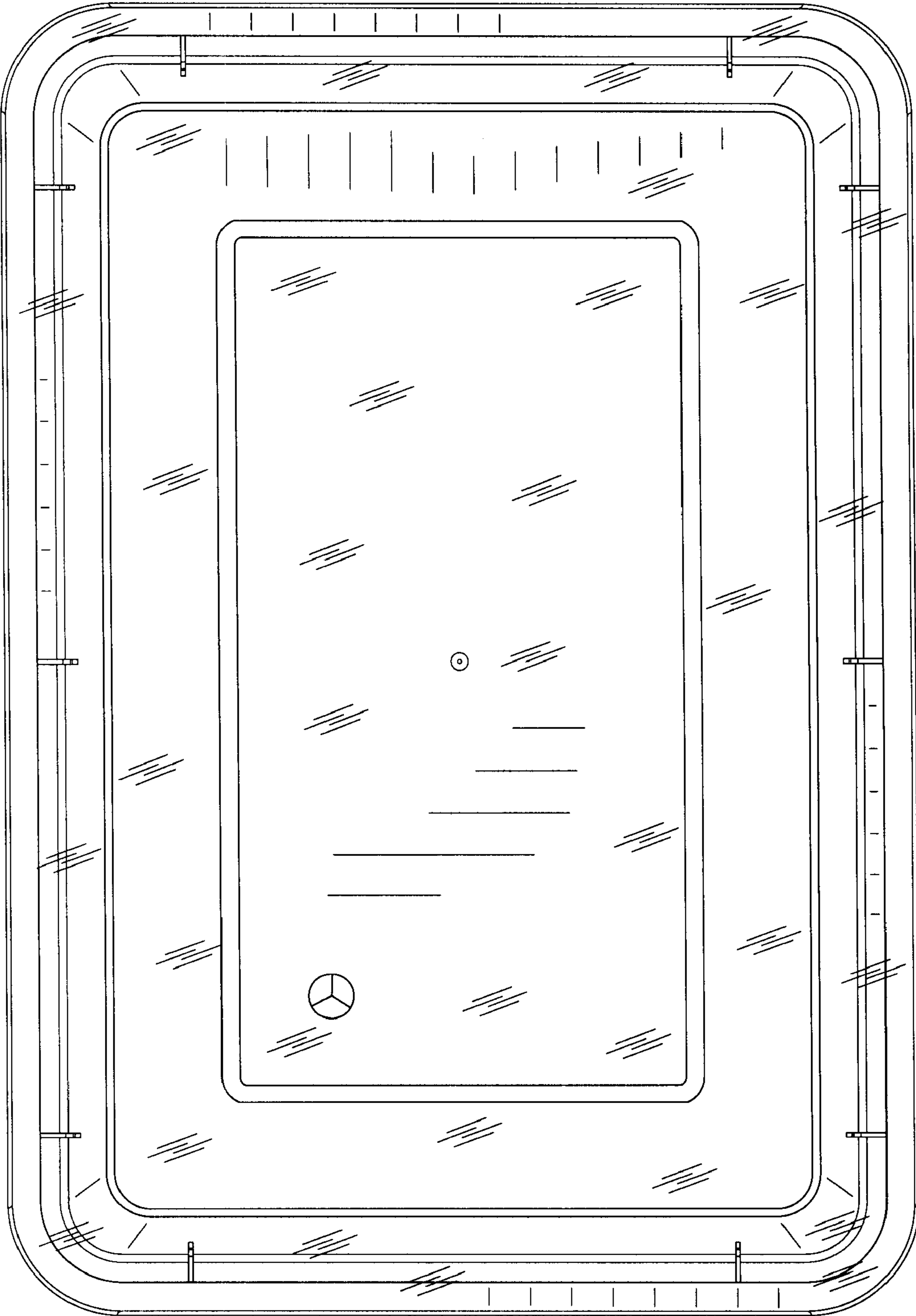
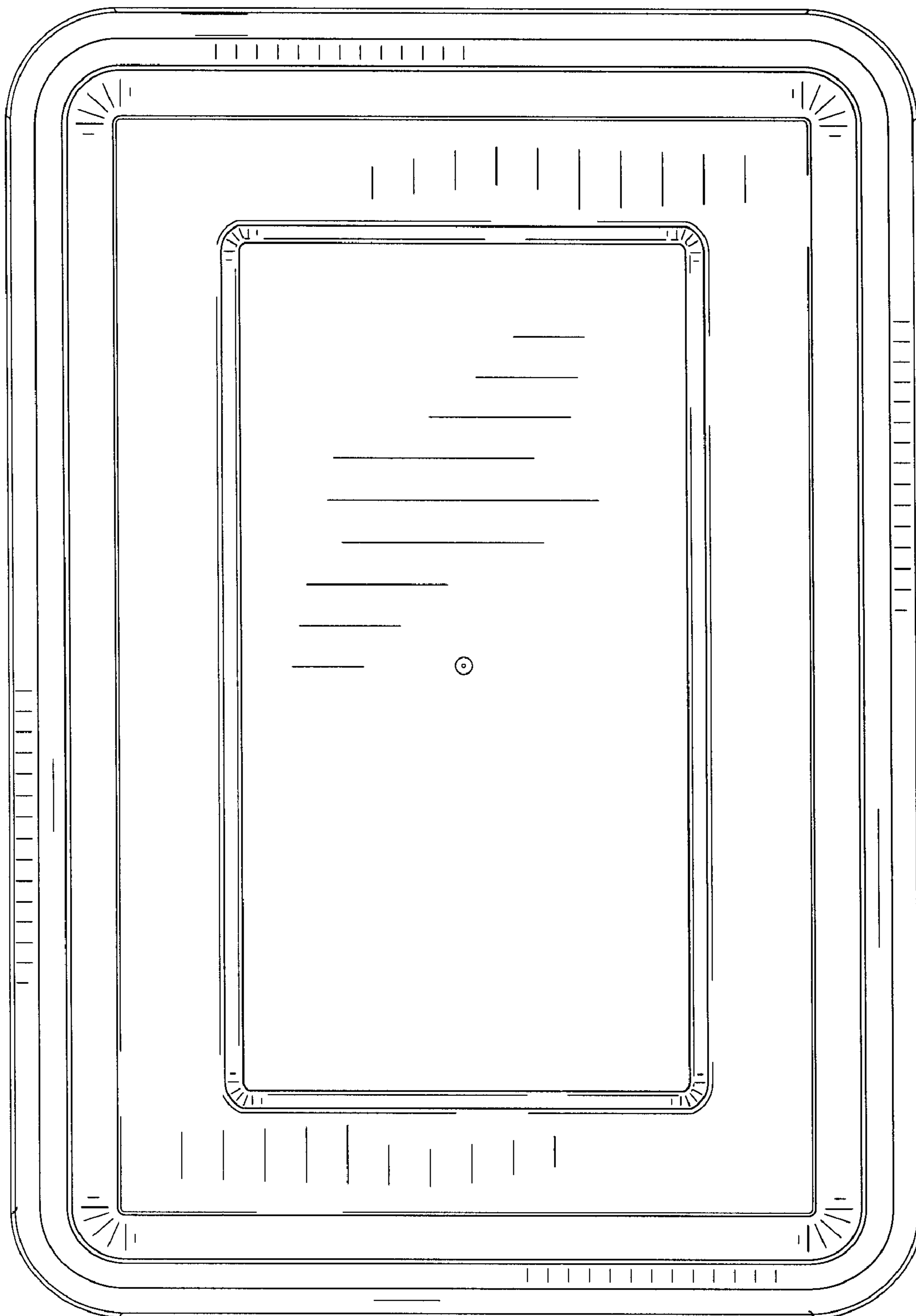


FIG. 3

FIG. 4



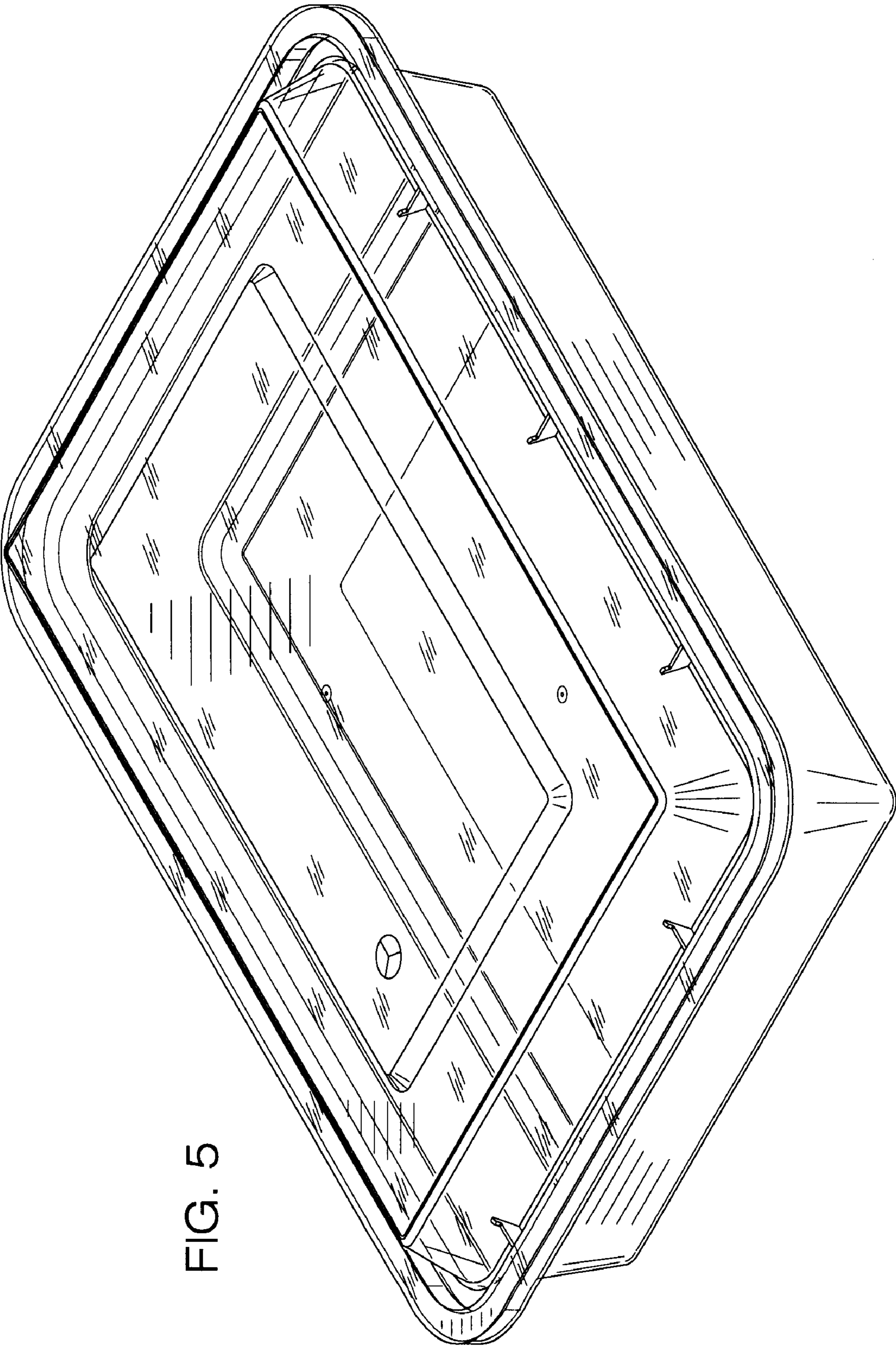


FIG. 5

FIG. 6

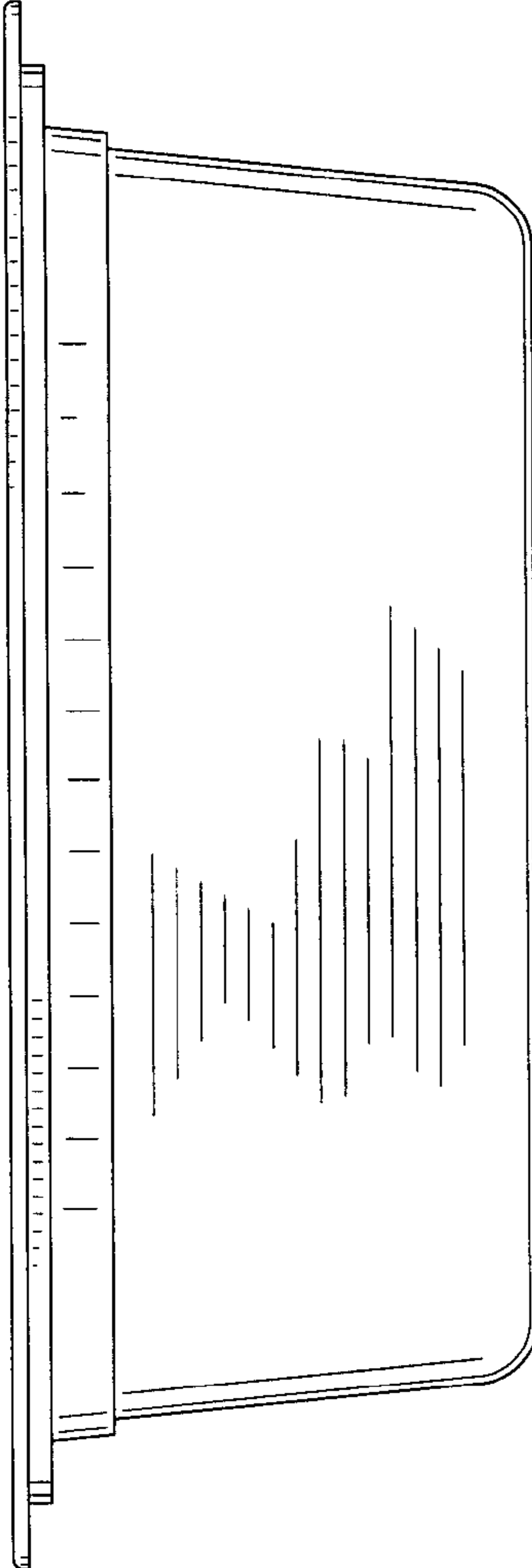
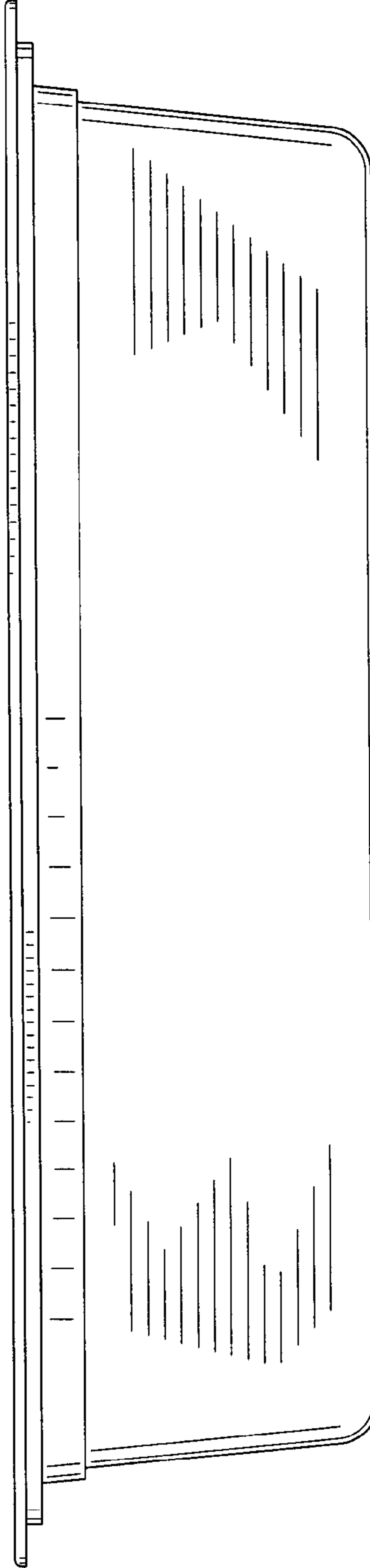


FIG. 7



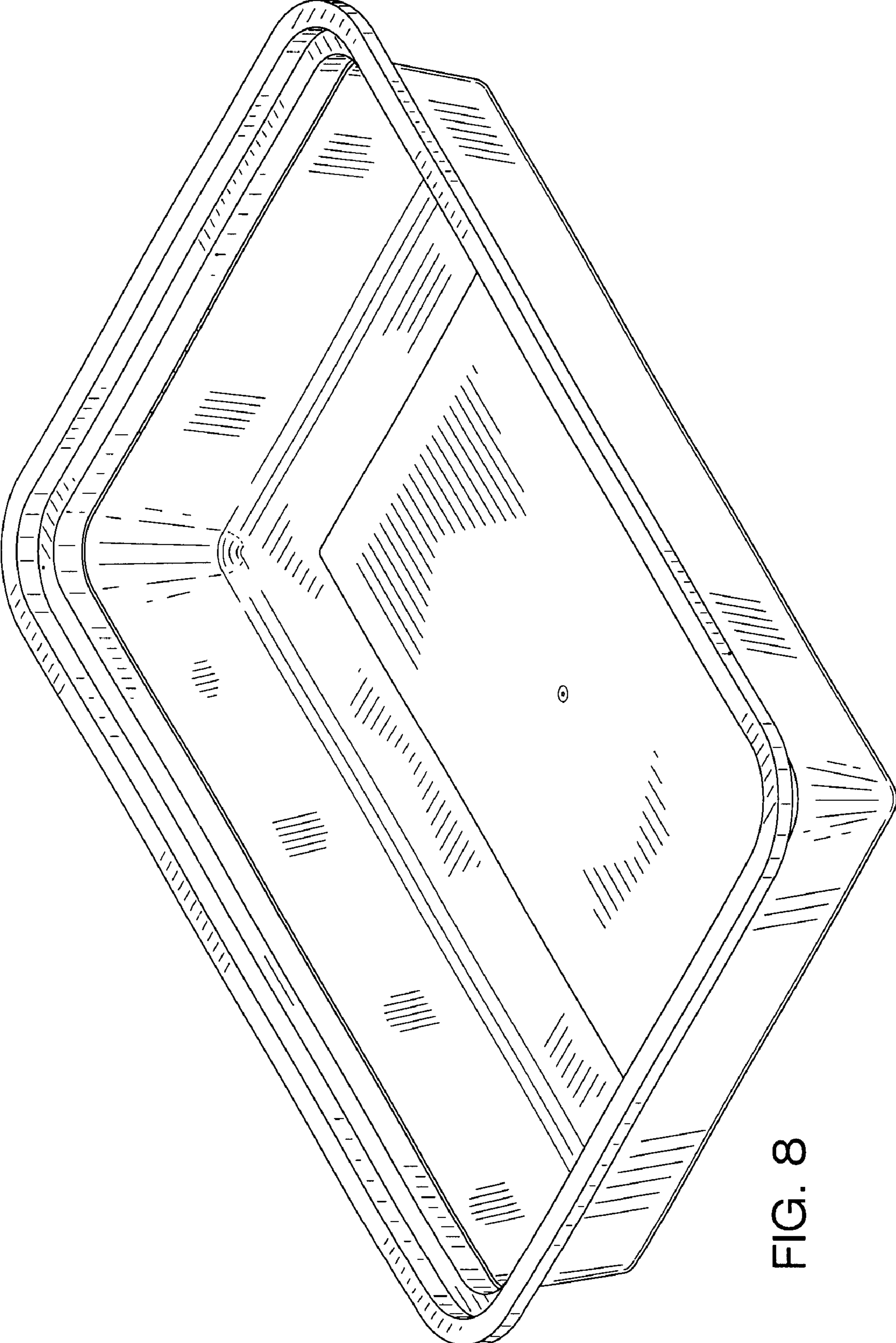


FIG. 8

FIG. 9

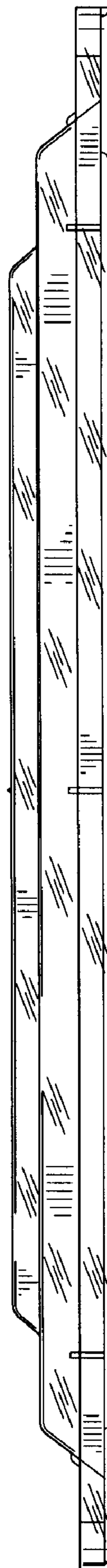
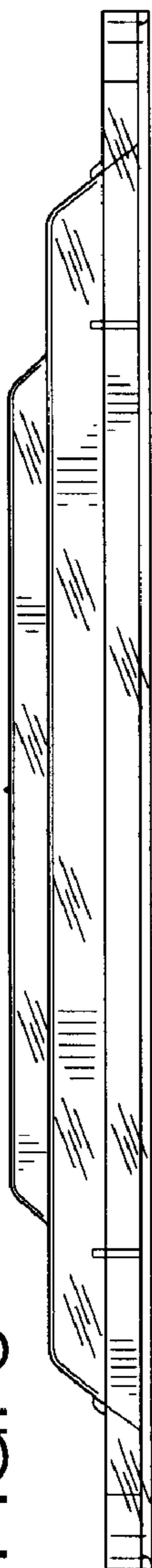


FIG. 10

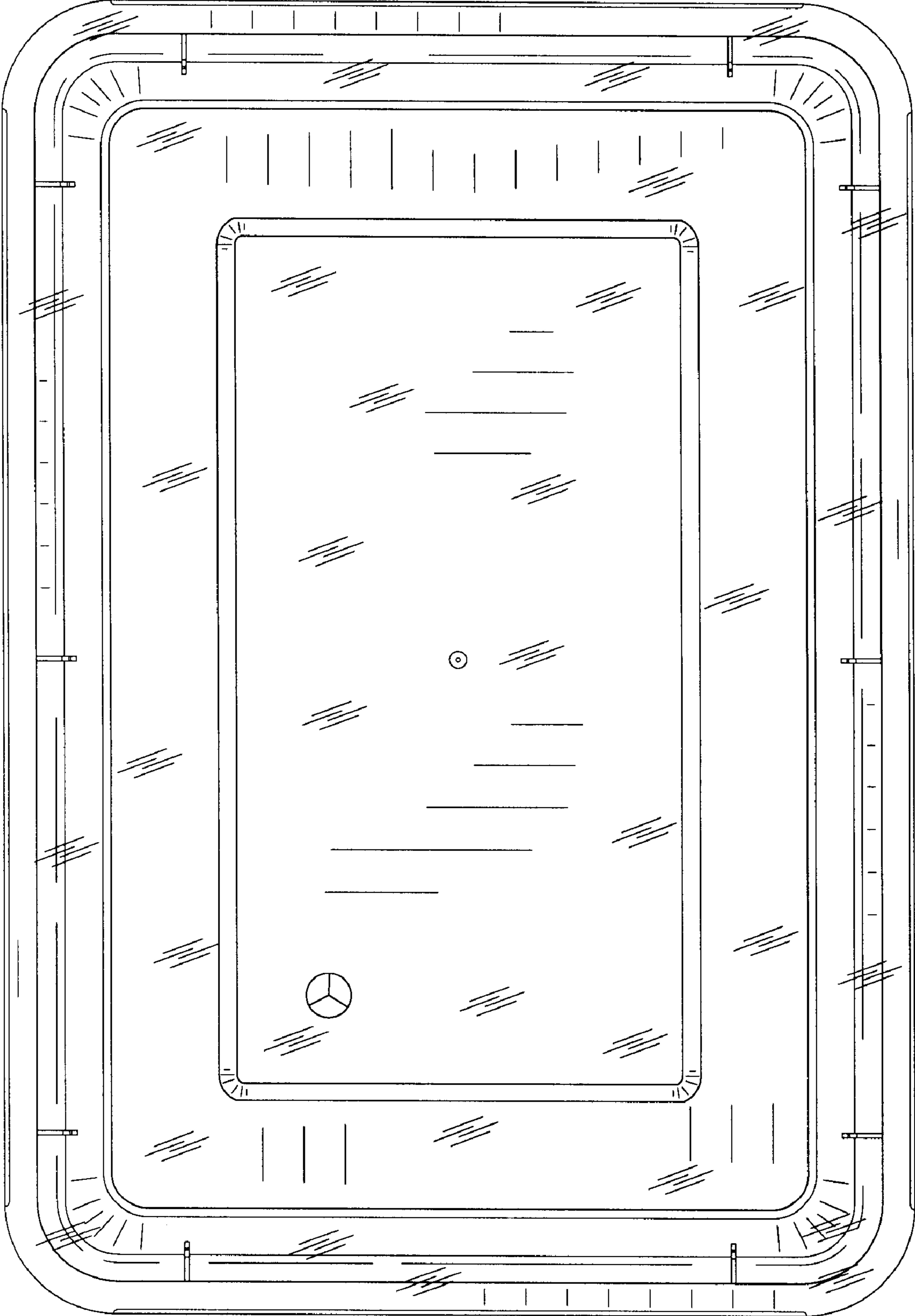


FIG. 11

FIG. 12

