



US00D592498S

(12) **United States Design Patent**  
**Cronin**

(10) **Patent No.:** **US D592,498 S**

(45) **Date of Patent:** **\*\* May 19, 2009**

(54) **CONTAINER BOTTOM**

(75) Inventor: **Edward P. Cronin**, Brodhead, WI (US)

(73) Assignee: **J.L. Clark, Inc.**, Rockford, IL (US)

(\*\*) Term: **14 Years**

(21) Appl. No.: **29/325,376**

(22) Filed: **Sep. 30, 2008**

(51) **LOC (9) Cl.** ..... **09-03**

(52) **U.S. Cl.** ..... **D9/424**

(58) **Field of Classification Search** ..... D9/424,  
D9/414, 423, 425, 426, 428, 430, 434; D3/201,  
D3/212, 294; D7/605, 609, 629; 206/488,  
206/490, 508, 815, 822; 220/8, 4.23, 254.7,  
220/375, 380, 838, 841, DIG. 12; 229/125.18,  
229/125.21, 406

See application file for complete search history.

(56) **References Cited**

**U.S. PATENT DOCUMENTS**

2,565,939	A *	8/1951	Wriston	.....	220/4.23
D210,869	S *	4/1968	Hayes	.....	D9/423
D309,431	S *	7/1990	Sheehan	.....	D9/424
D357,161	S *	4/1995	Booten	.....	D7/605
D367,211	S *	2/1996	Cautereels	.....	D7/629
5,704,485	A *	1/1998	Cautereels et al.	.....	206/546
D449,165	S *	10/2001	van der Hulst	.....	D3/294
D449,495	S *	10/2001	Tucker et al.	.....	D7/629
D461,403	S *	8/2002	Chomik et al.	.....	D9/423
D462,613	S *	9/2002	Bried et al.	.....	D9/428
D473,140	S *	4/2003	Gilliam et al.	.....	D9/428

D487,192 S \* 3/2004 Farnham et al. .... D3/294

\* cited by examiner

*Primary Examiner*—Prabhakar Deshmukh

*Assistant Examiner*—Derrick Holland

(74) *Attorney, Agent, or Firm*—Reinhart Boerner Van Deuren P.C.

(57) **CLAIM**

The ornamental design for a container bottom, as shown and described.

**DESCRIPTION**

FIG. 1 is a top perspective view of a container bottom showing my new design;

FIG. 2 is another top perspective view thereof;

FIG. 3 is a left elevational view thereof, the right being a mirror image;

FIG. 4 is a top plan view thereof;

FIG. 5 is a front elevational view thereof, the back being a mirror image;

FIG. 6 is a bottom plan view thereof;

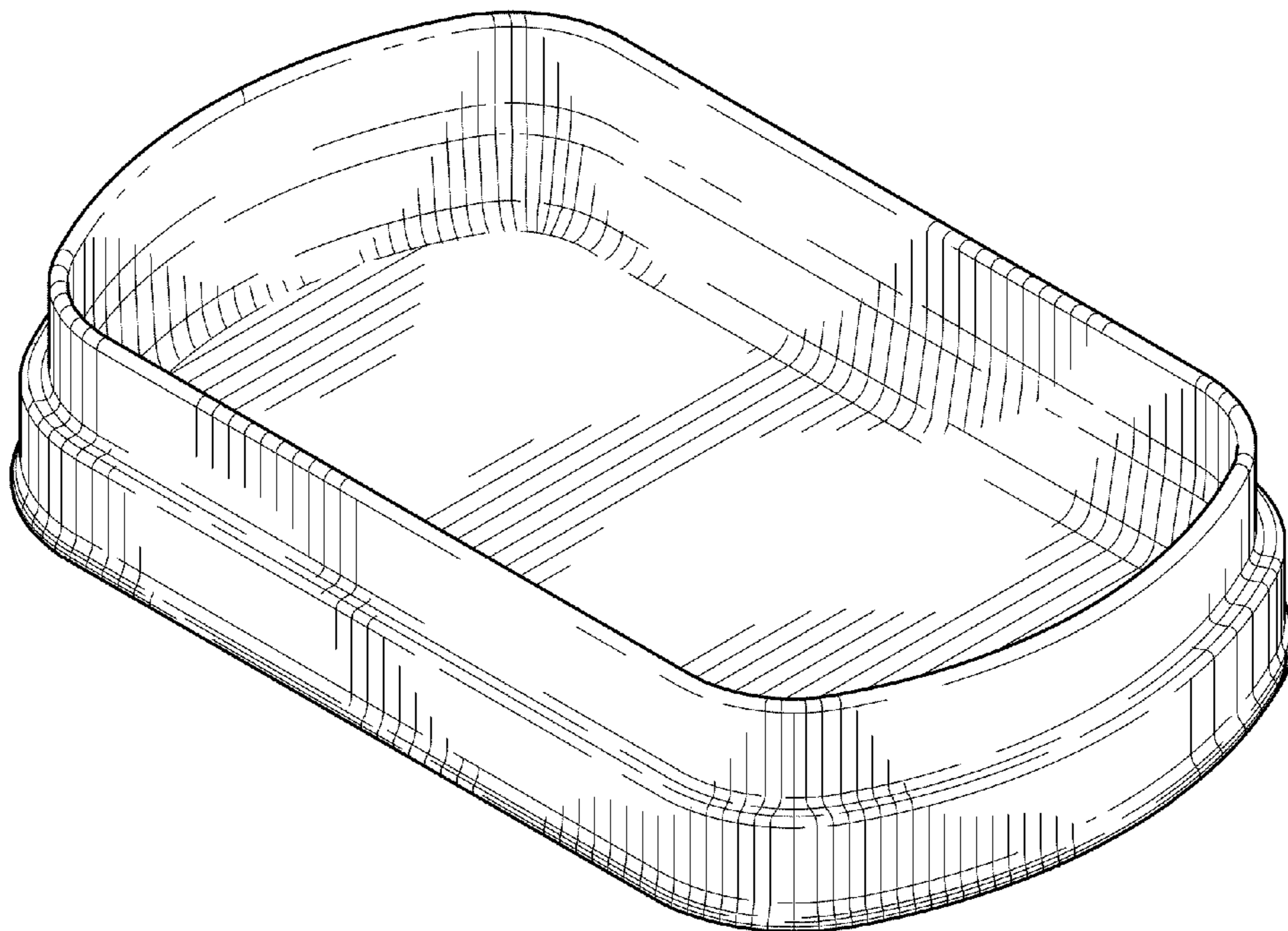
FIG. 7 is a bottom perspective thereof;

FIG. 8 is a cross-sectional view thereof, taken along line 8—8 of FIG. 4; and,

FIG. 9 is a cross-sectional view thereof, taken along line 9—9 of FIG. 4.

The container lid shown in broken lines represents unclaimed subject matter and forms no part of the claimed design.

**1 Claim, 6 Drawing Sheets**



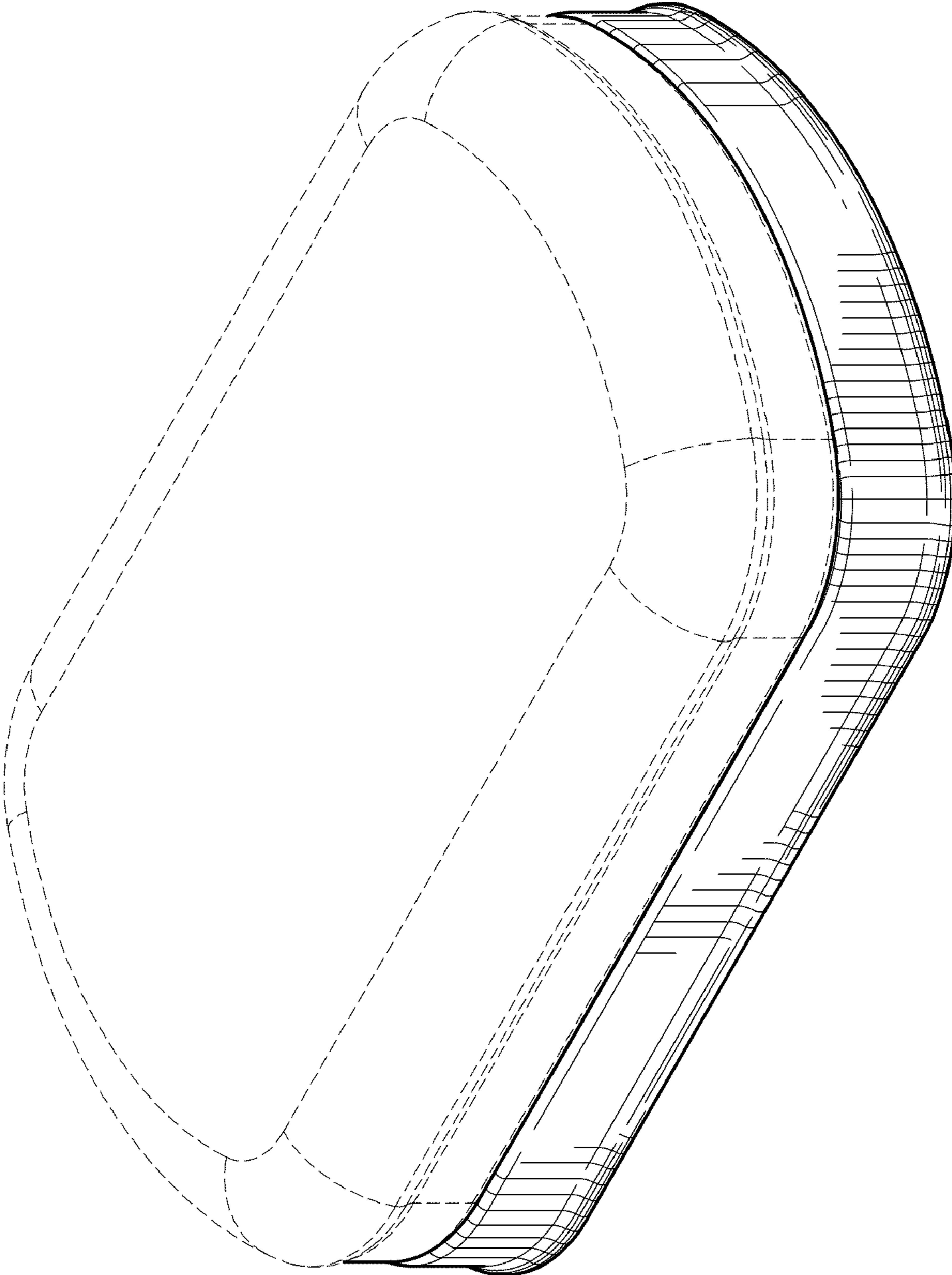


FIG. 1

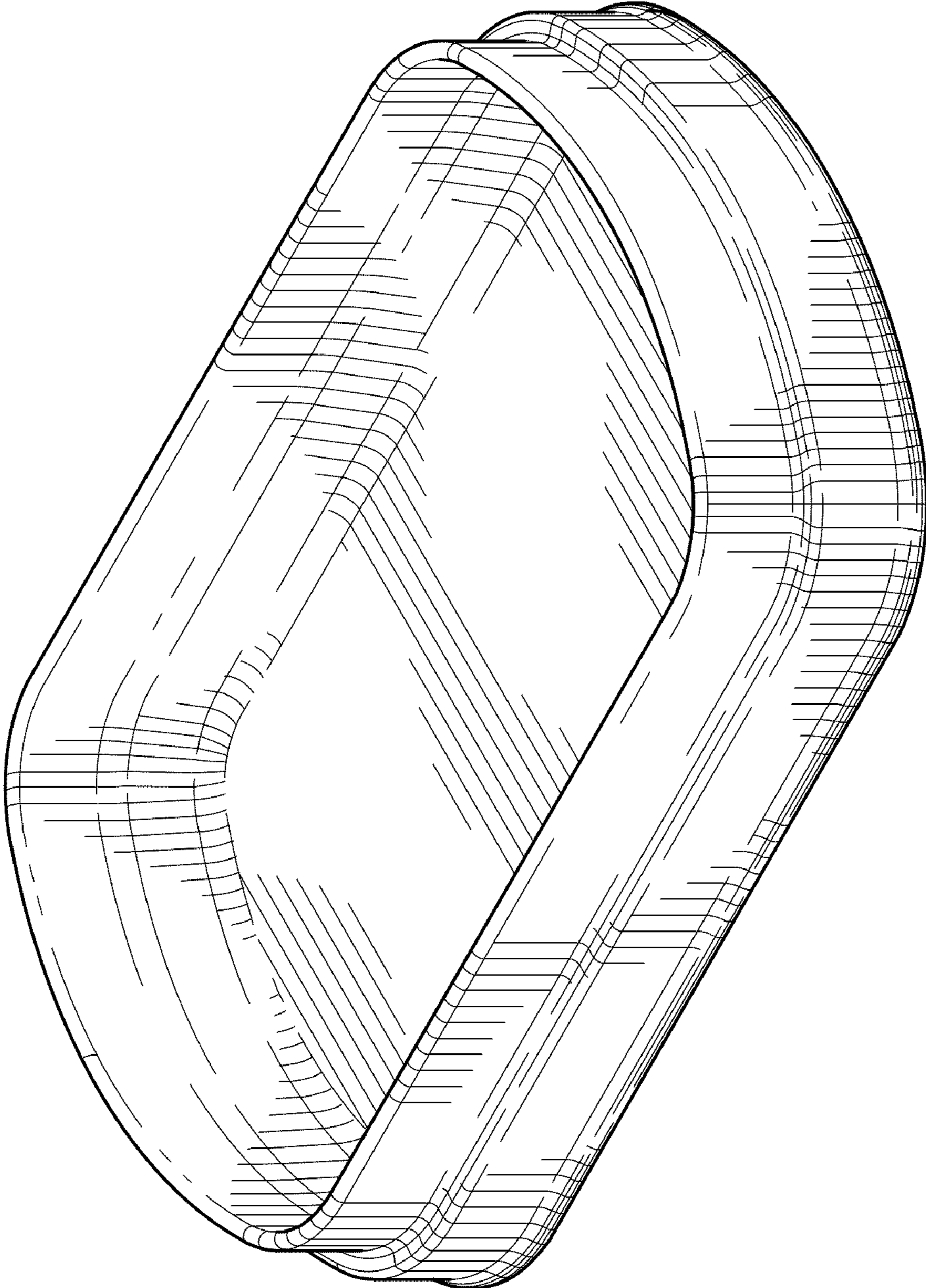


FIG. 2



FIG. 4

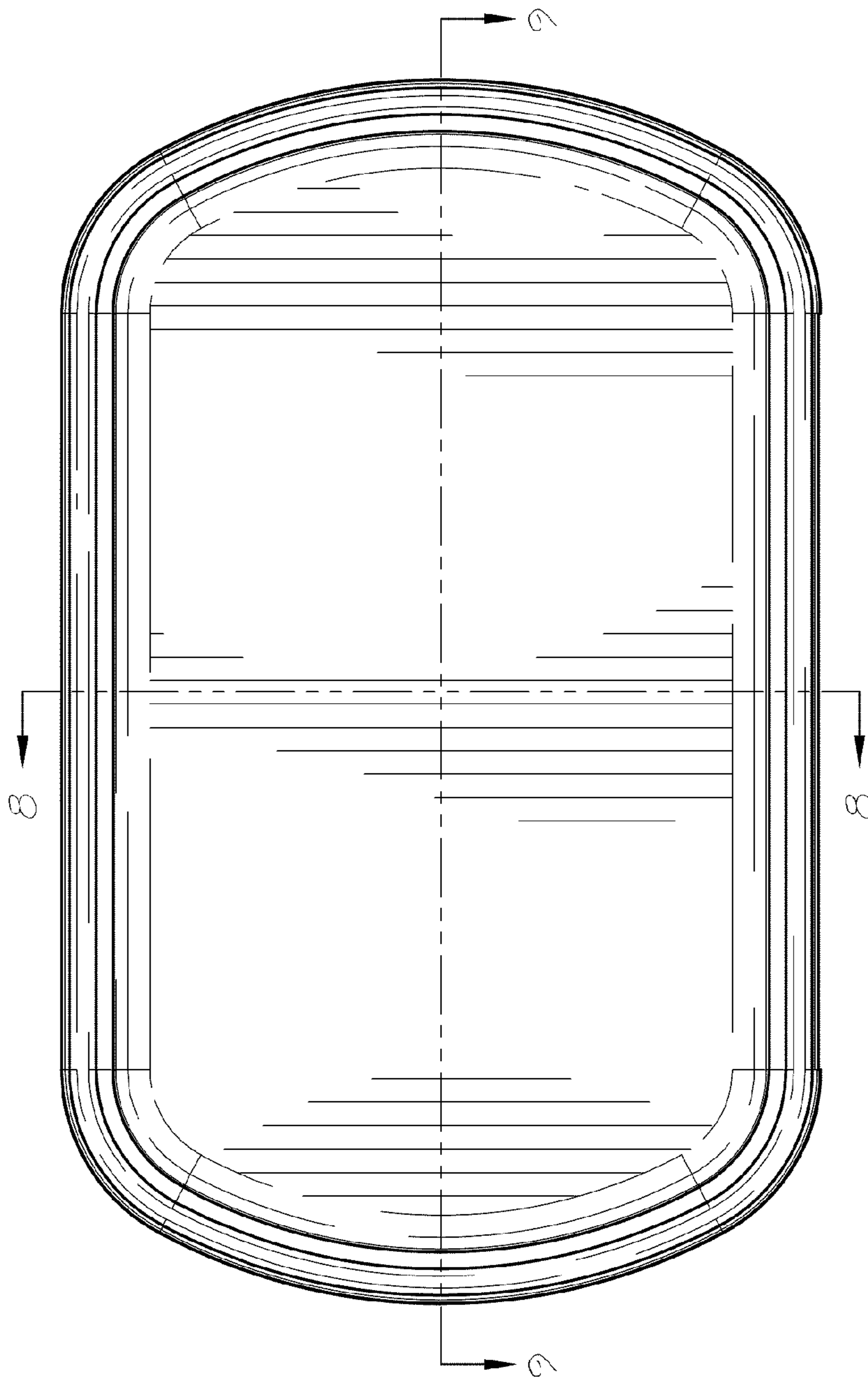


FIG. 3



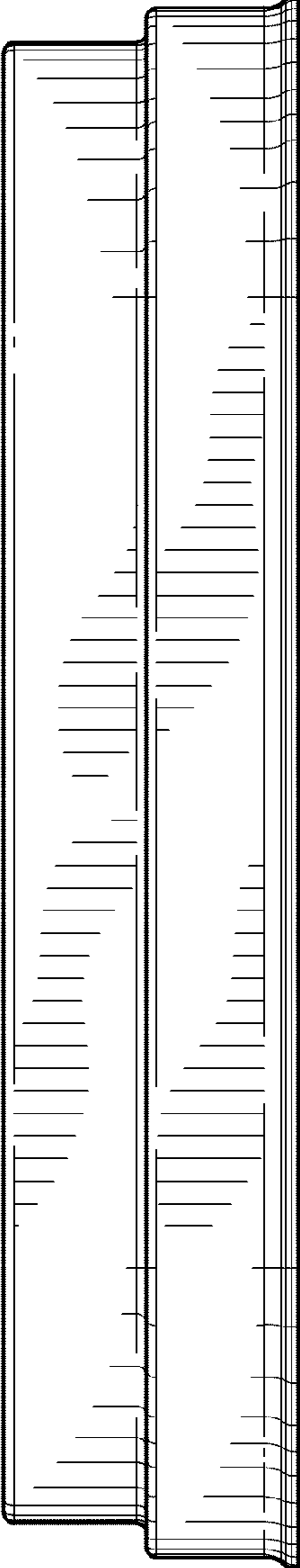


FIG. 5

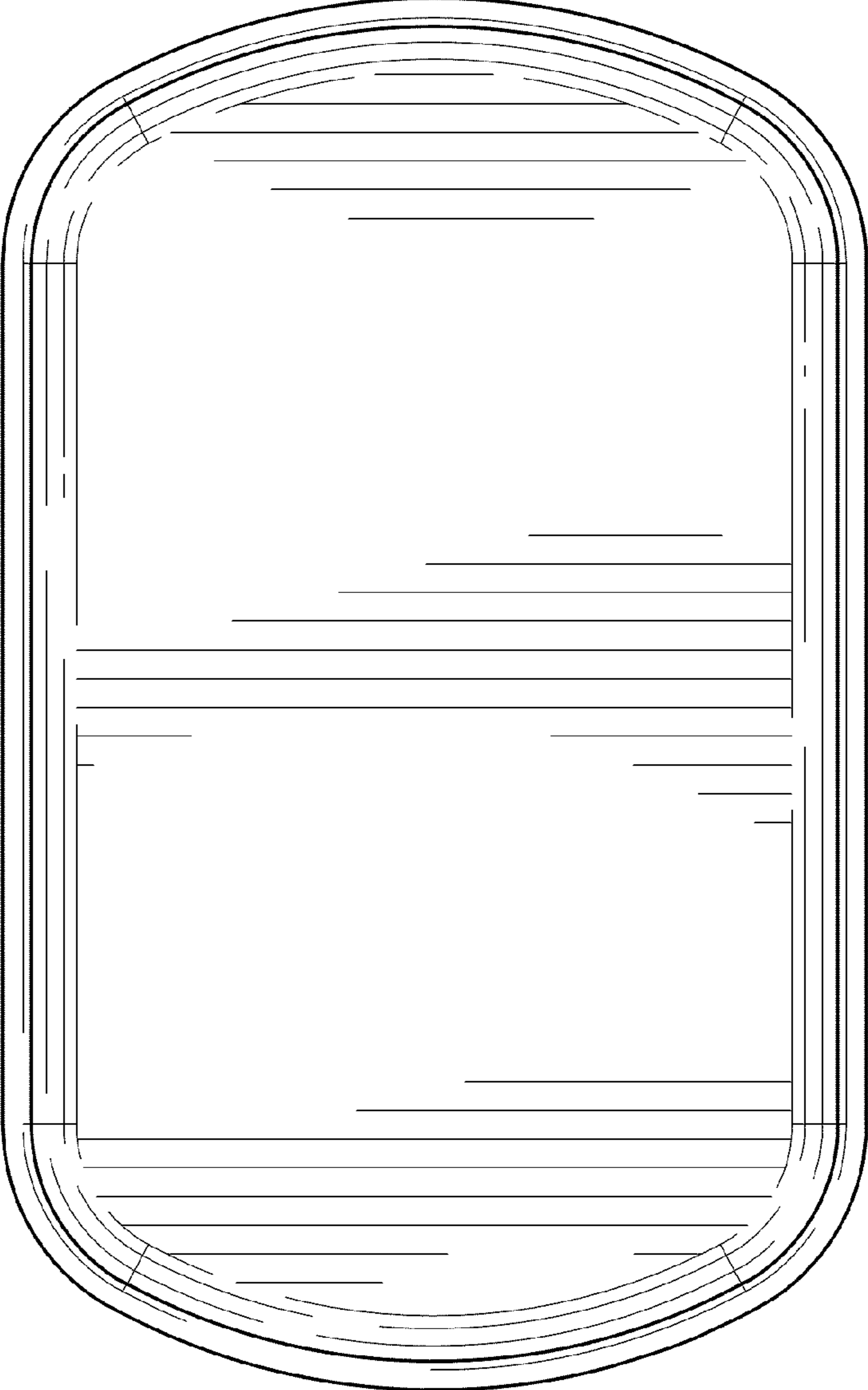


FIG. 6

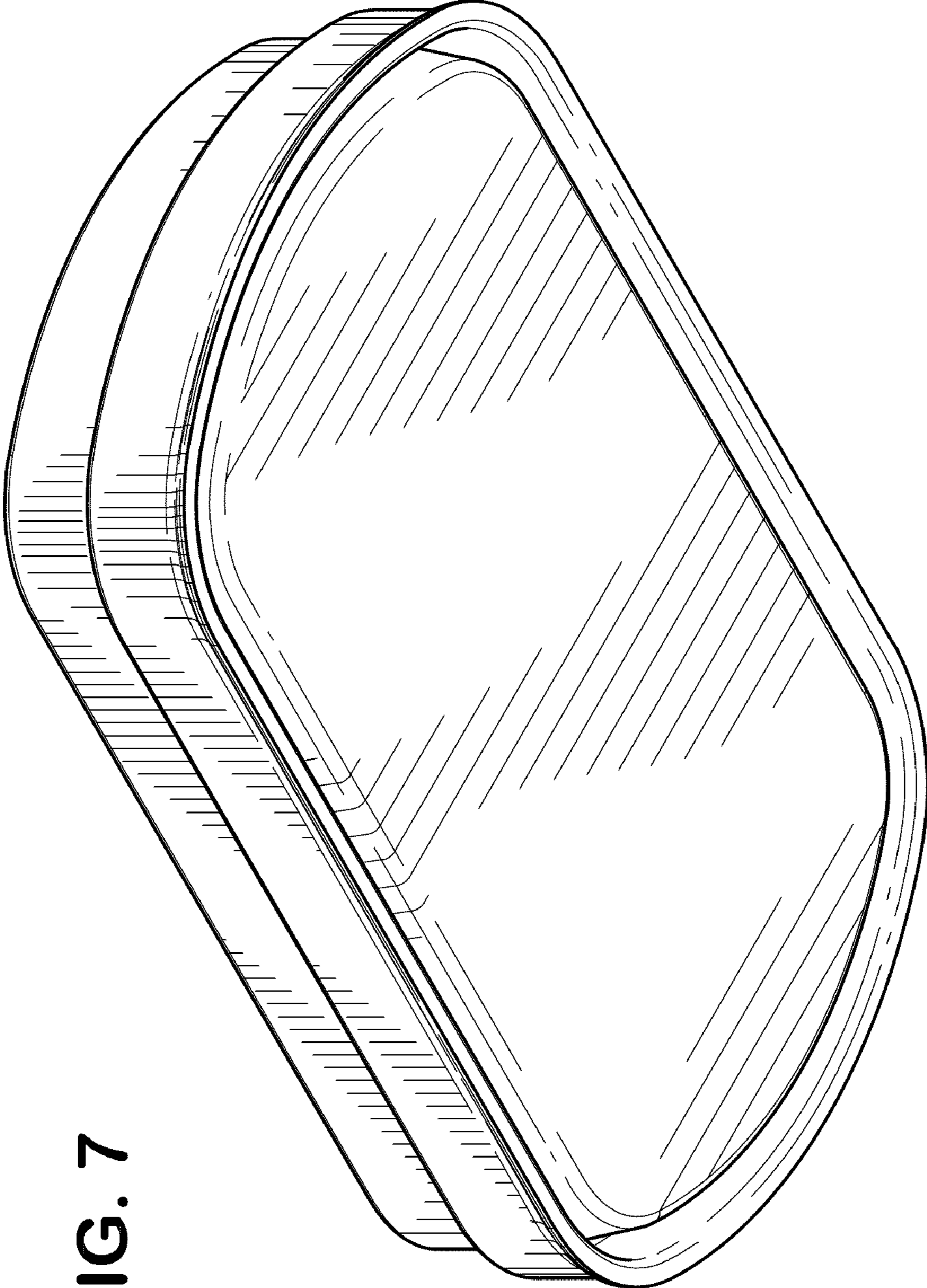


FIG. 7

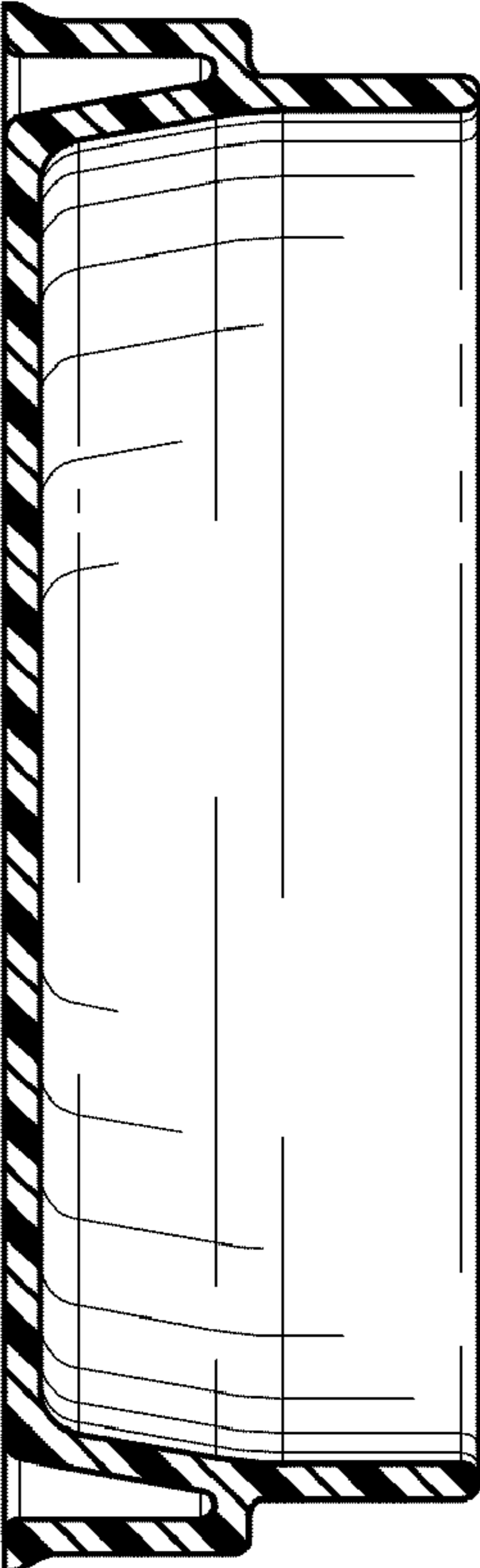


FIG. 8

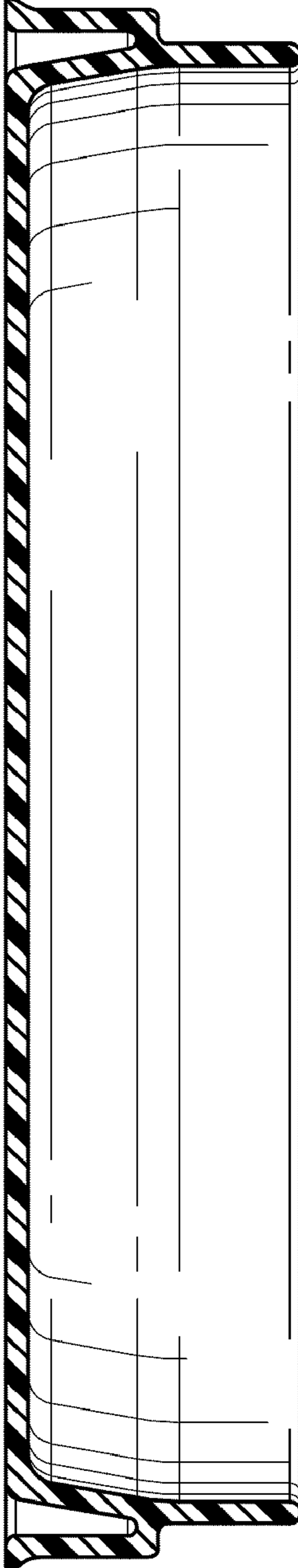


FIG. 9