



US00D592493S

(12) **United States Design Patent**  
**Wu et al.**

(10) **Patent No.:** **US D592,493 S**  
(45) **Date of Patent:** **\*\* May 19, 2009**

(54) **NUT FOR SEMI-TRAILER LEG**  
(75) Inventors: **Zhiqiang Wu**, Guangdong (CN);  
**Shaofan Zeng**, Guangdong (CN);  
**Xiangyong Zhong**, Guangdong (CN)

3,504,723 A \* 4/1970 Cushman et al. .... 411/82.1  
D367,002 S \* 2/1996 Grey ..... D8/397  
D451,375 S \* 12/2001 Shinjo et al. .... D8/397  
D451,791 S \* 12/2001 Shinjo et al. .... D8/397  
D452,140 S \* 12/2001 Shinjo et al. .... D8/397

(73) Assignee: **Guangdong Fuwa Engineering Manufacturing Co., Ltd.**, Guangdong (CN)

\* cited by examiner

*Primary Examiner*—Holly H Baynham  
*Assistant Examiner*—Cynthia M Chin

(\*\*) Term: **14 Years**

(21) Appl. No.: **29/318,537**

(57) **CLAIM**

(22) Filed: **May 21, 2008**

The ornamental design for a nut for semi-trailer leg, as shown and described.

(30) **Foreign Application Priority Data**

Nov. 21, 2007 (CN) ..... 200730319479

**DESCRIPTION**

(51) **LOC (9) Cl.** ..... **08-08**

(52) **U.S. Cl.** ..... **D8/397**

(58) **Field of Classification Search** ..... D8/382,  
D8/387, 394, 397–399; 411/81, 88, 90–93,  
411/96–98, 103, 114, 106–108, 132–165,  
411/172–189, 204, 246, 337, 338, 366.1–366.3,  
411/368, 369, 371.2, 371.5, 418, 427, 429–432,  
411/436, 437, 523, 531–538, 542, 544; D13/154  
See application file for complete search history.

FIG. 1 is a front elevational view of a nut for semi-trailer leg showing my new design;  
FIG. 2 is a rear elevational view thereof;  
FIG. 3 is a left side view thereof;  
FIG. 4 is a right side view thereof;  
FIG. 5 is a top plan view thereof;  
FIG. 6 is a bottom plan view thereof; and,  
FIG. 7 is a perspective view thereof.

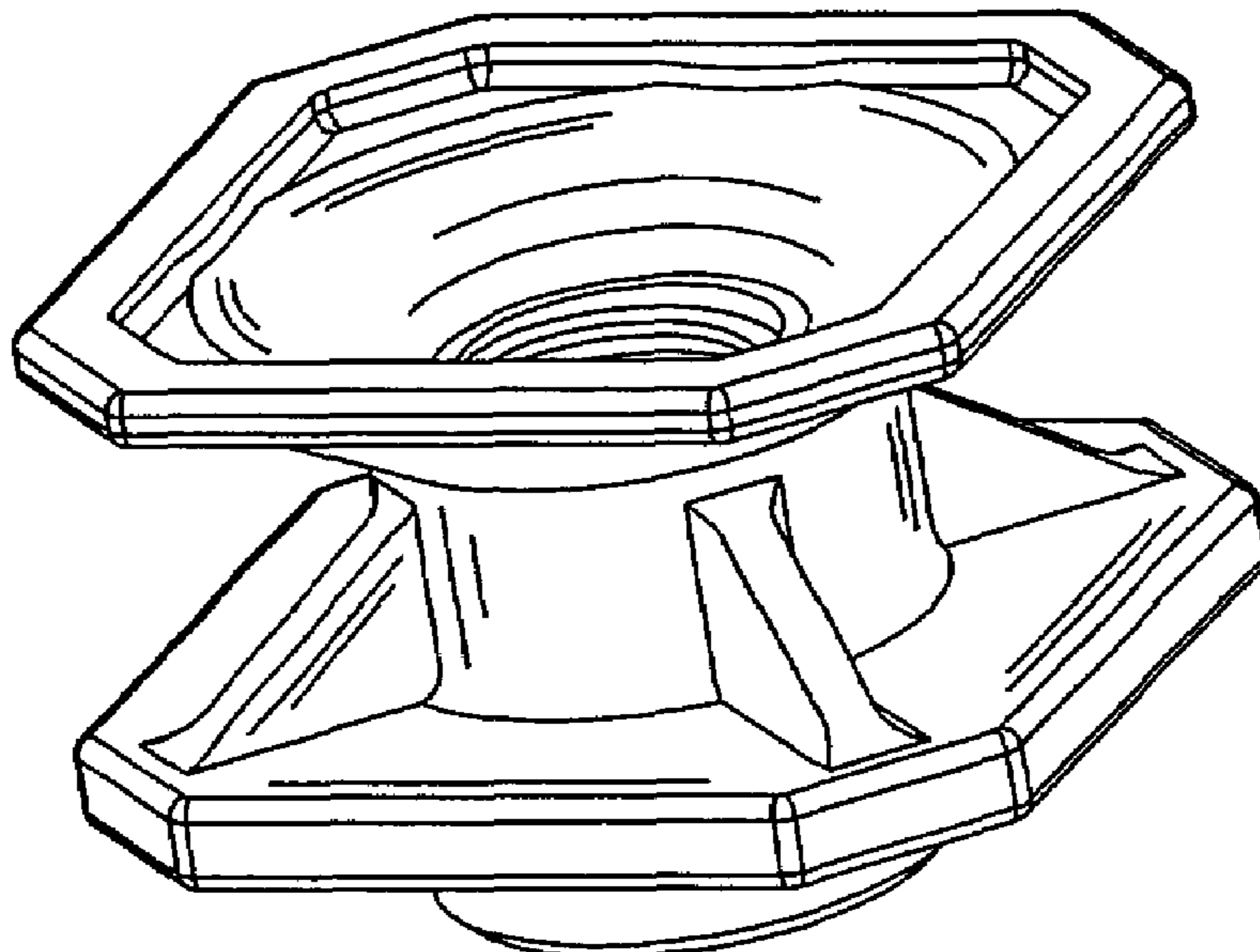
(56) **References Cited**

**U.S. PATENT DOCUMENTS**

2,967,556 A \* 1/1961 Jaworski ..... 411/112  
3,221,790 A \* 12/1965 Poupitch ..... 411/301

The portions of the article shown in broken lines form no part of the claimed design.

**1 Claim, 2 Drawing Sheets**



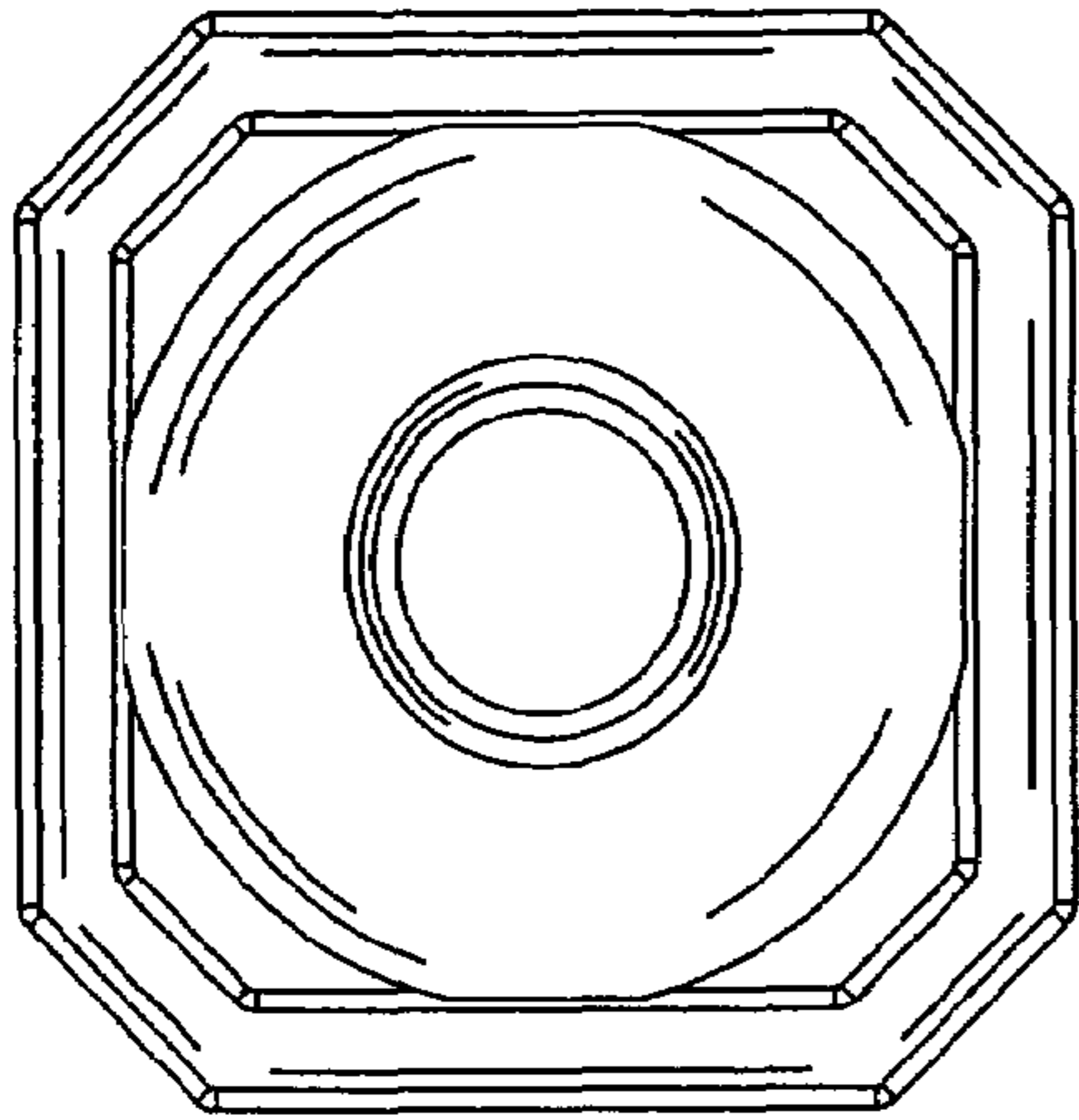


FIG. 1

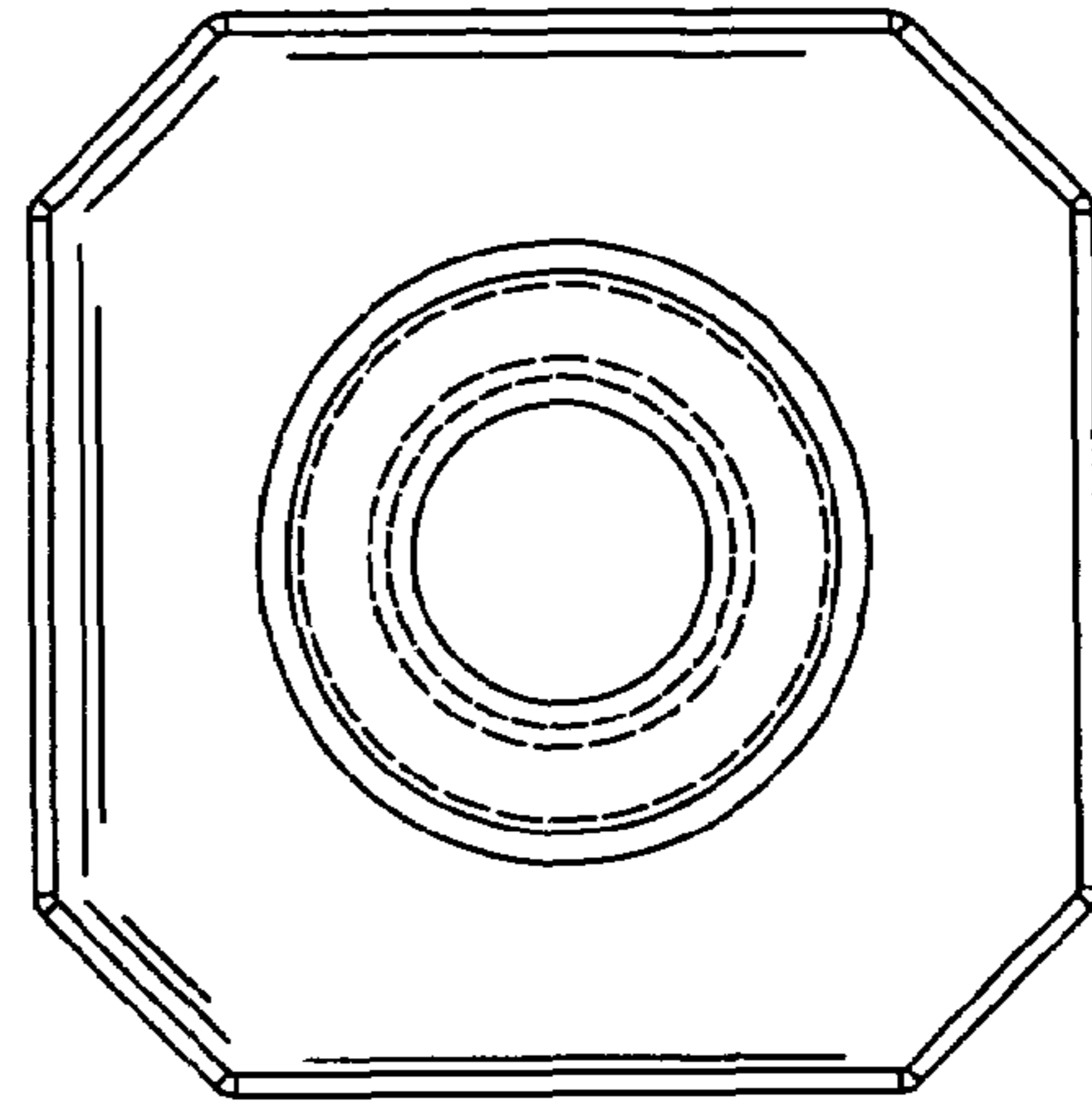


FIG. 2

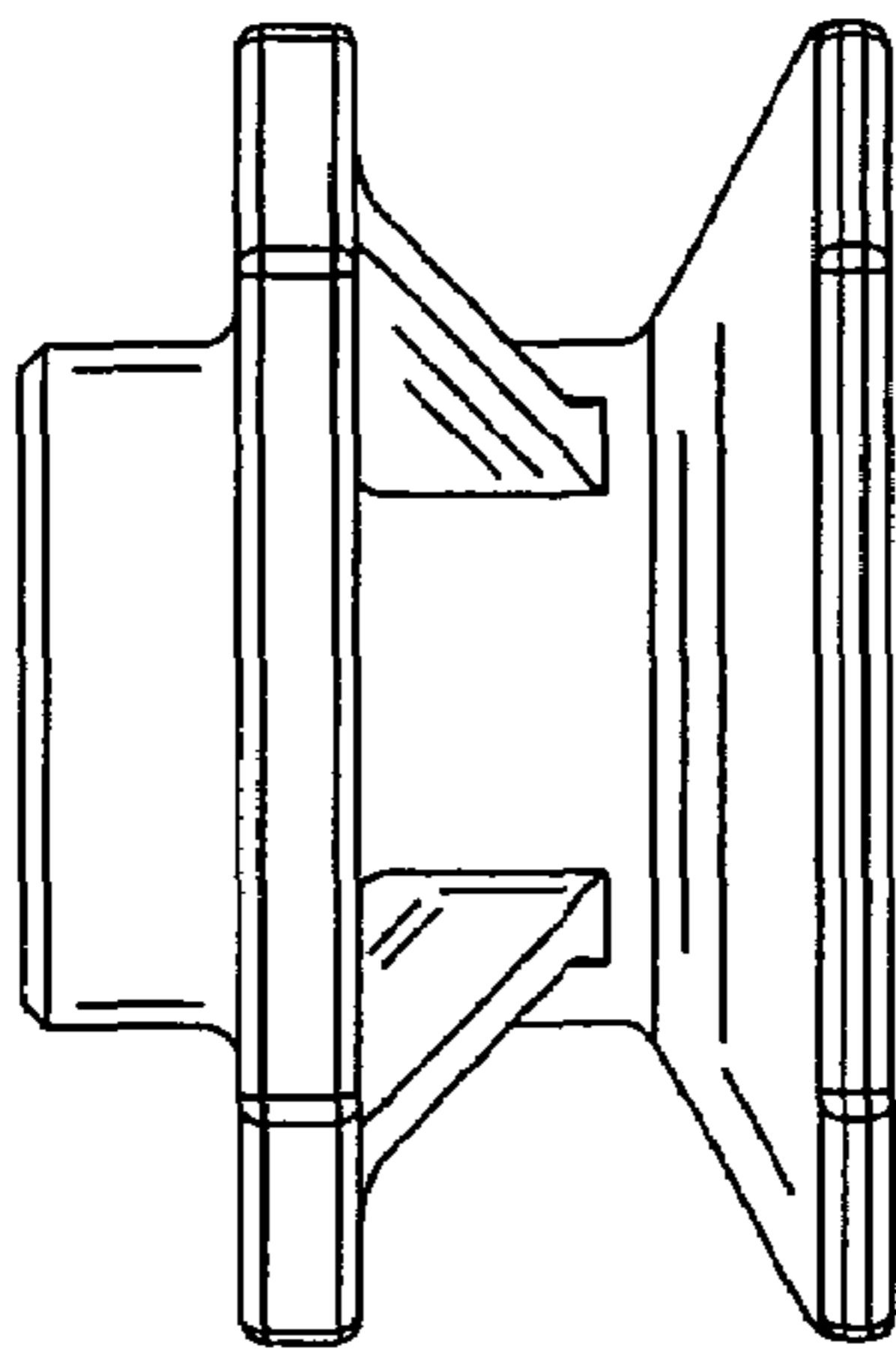


FIG. 3

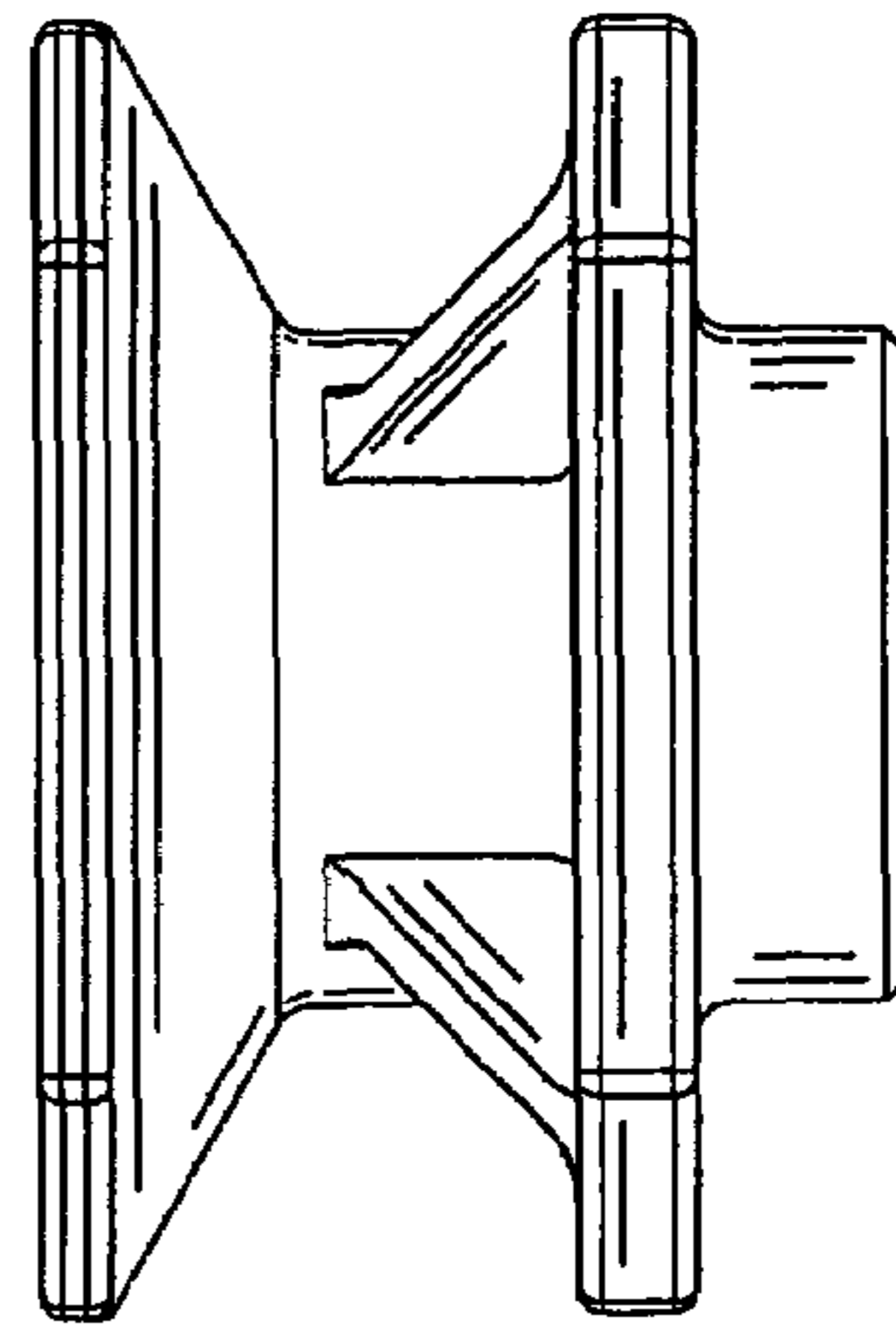


FIG. 4

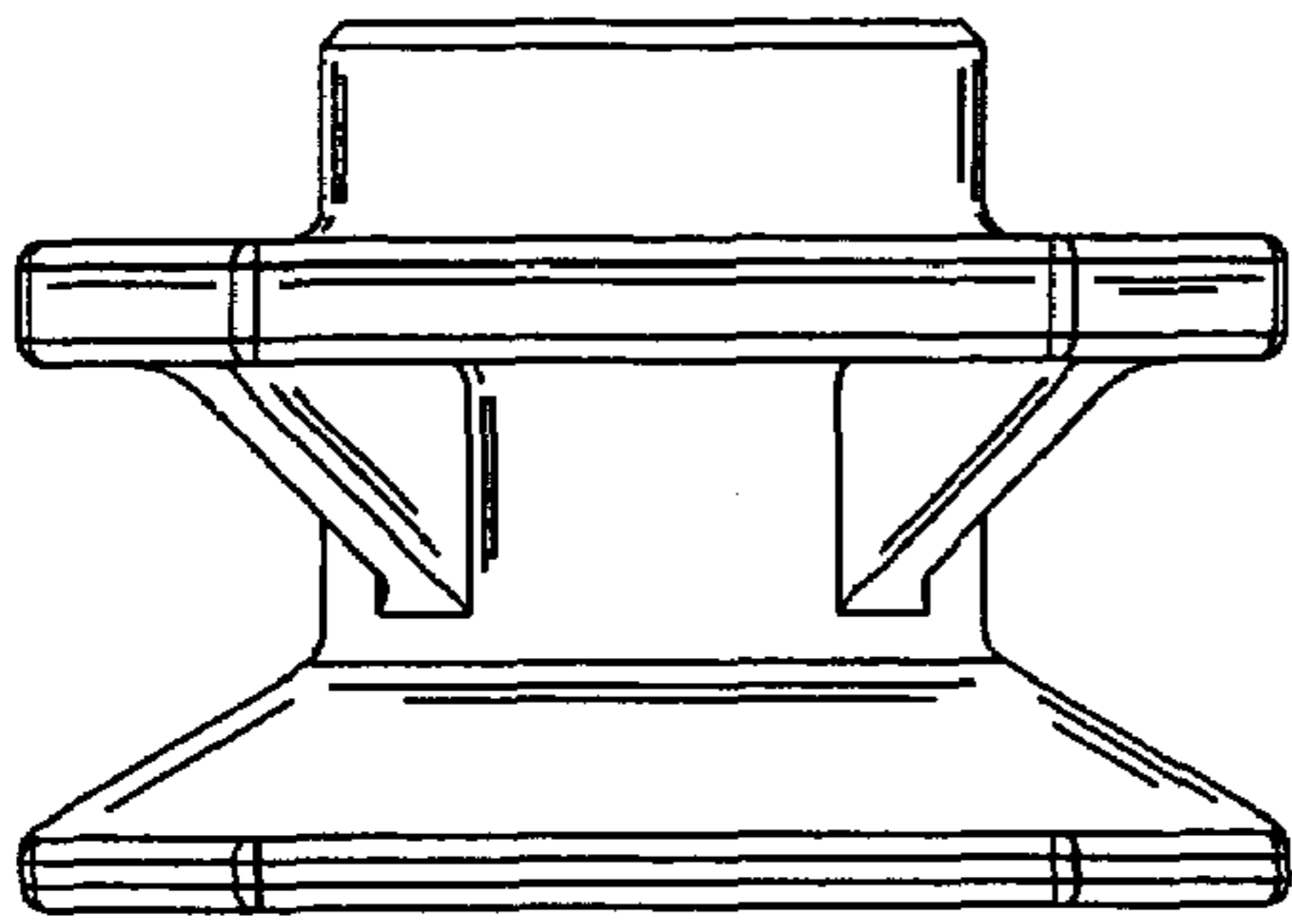


FIG. 5

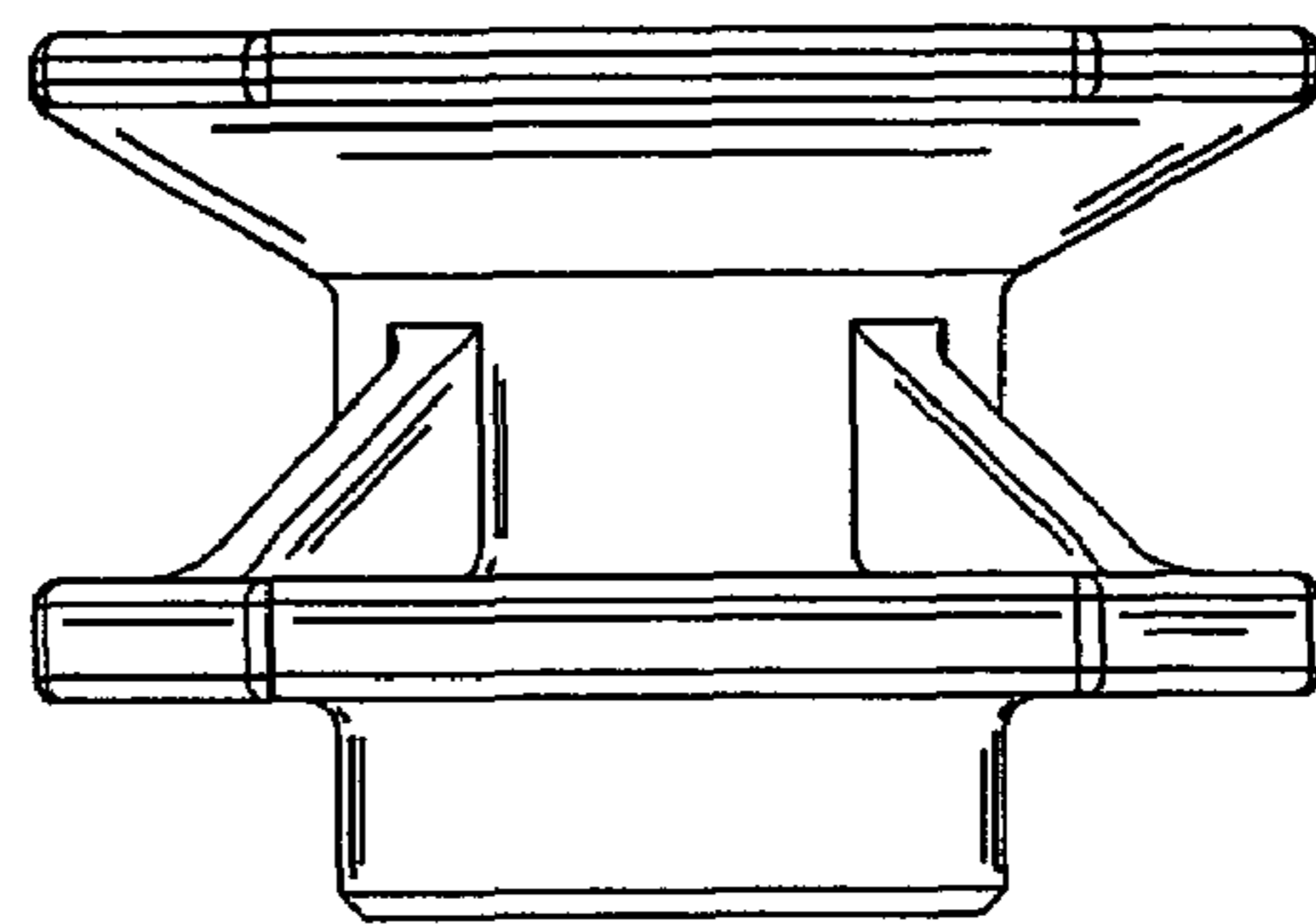


FIG. 6

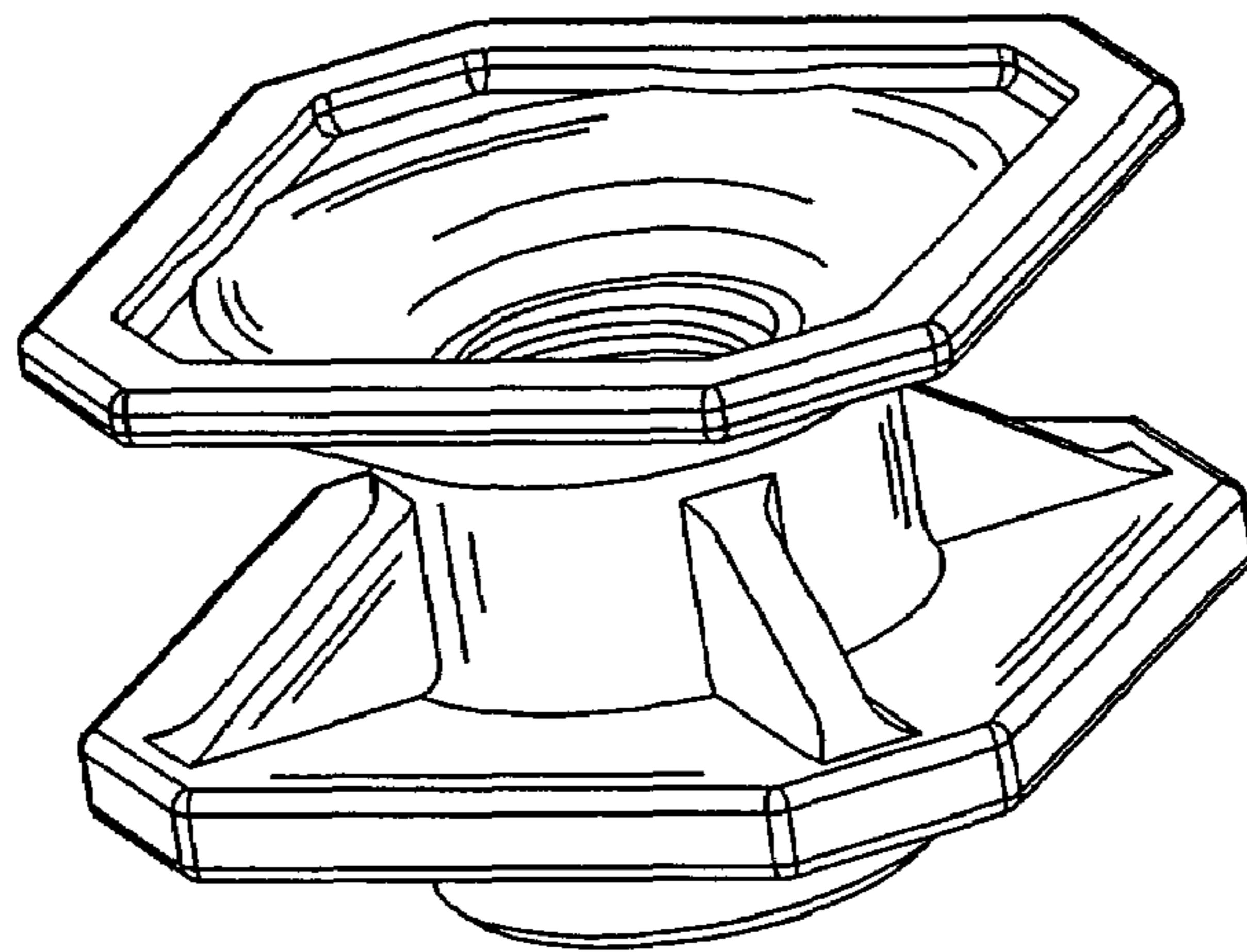


FIG. 7