



US00D592492S

(12) **United States Design Patent**
Werschmidt

(10) **Patent No.:** **US D592,492 S**

(45) **Date of Patent:** **** May 19, 2009**

(54) **CONNECTOR**

(76) **Inventor:** **Gary Werschmidt**, 13577 Larwin Cir.,
Santa Fe Springs, CA (US) 90670

(**) **Term:** **14 Years**

(21) **Appl. No.:** **29/282,233**

(22) **Filed:** **Jul. 13, 2007**

(51) **LOC (9) Cl.** **08-08**

(52) **U.S. Cl.** **D8/382**

(58) **Field of Classification Search** 403/300,
403/305-306, 205, 312, 388, 217, 169, 170,
403/173-174; 211/182, 68, 177-178; 248/99;
D23/262-263; D8/382

See application file for complete search history.

(56) **References Cited**

U.S. PATENT DOCUMENTS

D311,680	S	*	10/1990	Miall	D8/382
D343,889	S	*	2/1994	Stonecypher	D23/263
D355,588	S	*	2/1995	Kuwata	D8/382
D355,589	S	*	2/1995	Kuwata	D8/382
D355,843	S	*	2/1995	Kuwata	D8/382
D364,554	S	*	11/1995	Seo	D8/382
D376,532	S	*	12/1996	Esslinger	D8/382
D381,573	S	*	7/1997	Sabounjian	D8/382
D386,393	S	*	11/1997	Ookubo et al.	D8/382
D386,394	S	*	11/1997	Ookubo et al.	D8/382
D386,395	S	*	11/1997	Ookubo et al.	D8/382
D386,396	S	*	11/1997	Ookubo et al.	D8/382
D418,047	S	*	12/1999	Hirano	D8/382
D418,398	S	*	1/2000	Hirano	D8/382
D423,918	S	*	5/2000	Hirano et al.	D8/382
D477,527	S	*	7/2003	Bradford	D8/382
D556,559	S	*	12/2007	Jones et al.	D8/382
D567,071	S	*	4/2008	Carney	D8/382

* cited by examiner

Primary Examiner—Holly H. Baynham

Assistant Examiner—Sheryl Lane

(74) *Attorney, Agent, or Firm*—William W. Cochran;
Cochran Freund & Young LLC

(57) **CLAIM**

The ornamental design for a connector, as shown and described.

DESCRIPTION

FIG. 1 is an isometric view of a connector showing my new design.

FIG. 2 is a front view thereof.

FIG. 3 is a top view thereof.

FIG. 4 is a right side plan view thereof.

FIG. 5 is a left side view thereof.

FIG. 6 is a rear view thereof.

FIG. 7 is a bottom view thereof.

FIG. 8 is an isometric view of a second embodiment of a connector showing my new design.

FIG. 9 is a front view thereof.

FIG. 10 is a top view thereof.

FIG. 11 is a left side view thereof.

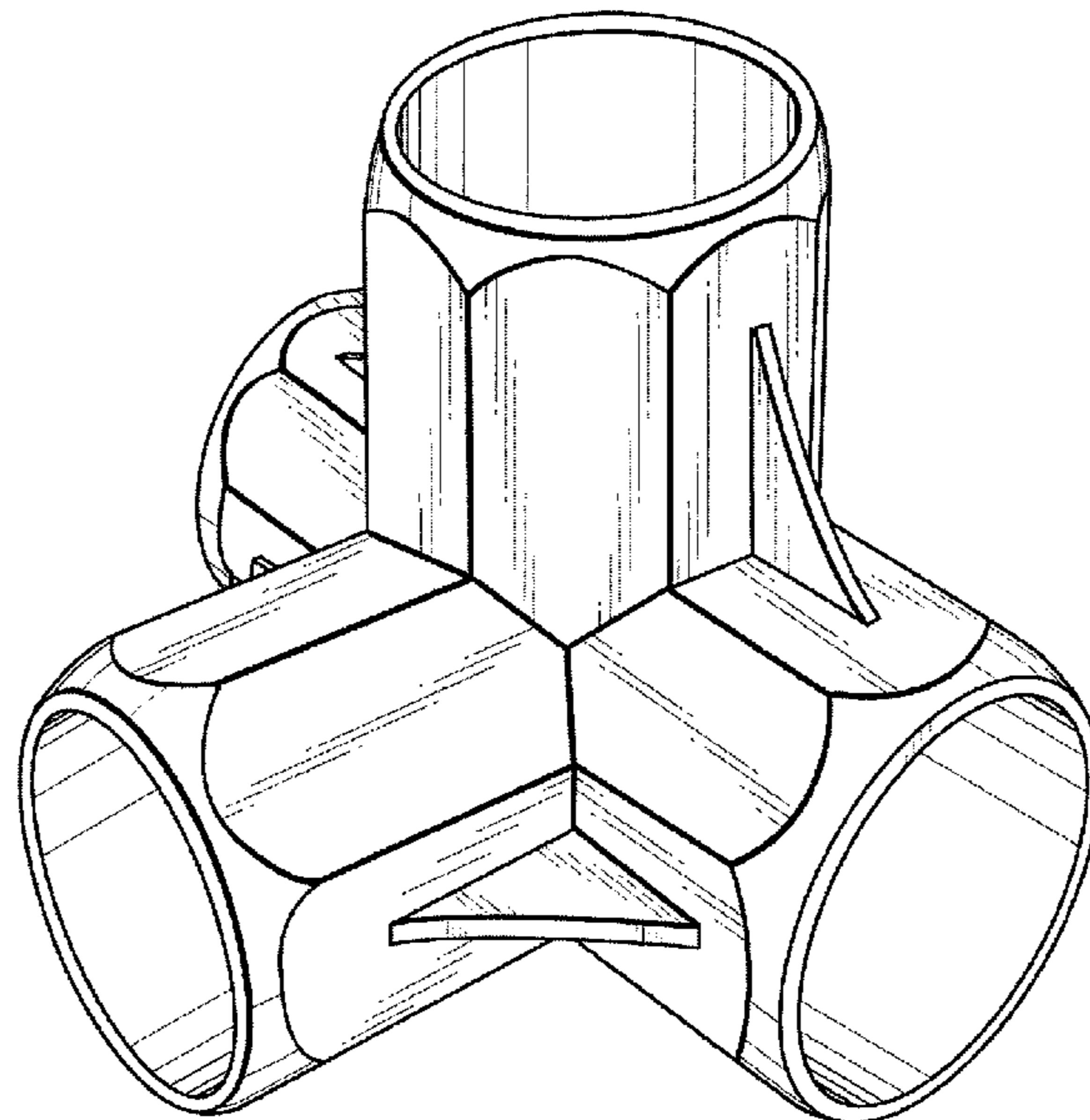
FIG. 12 is a right side view thereof.

FIG. 13 is a rear view thereof; and,

FIG. 14 is a bottom view thereof.

The broken lines are for illustrative purposes only and form no part of the claimed design.

1 Claim, 8 Drawing Sheets



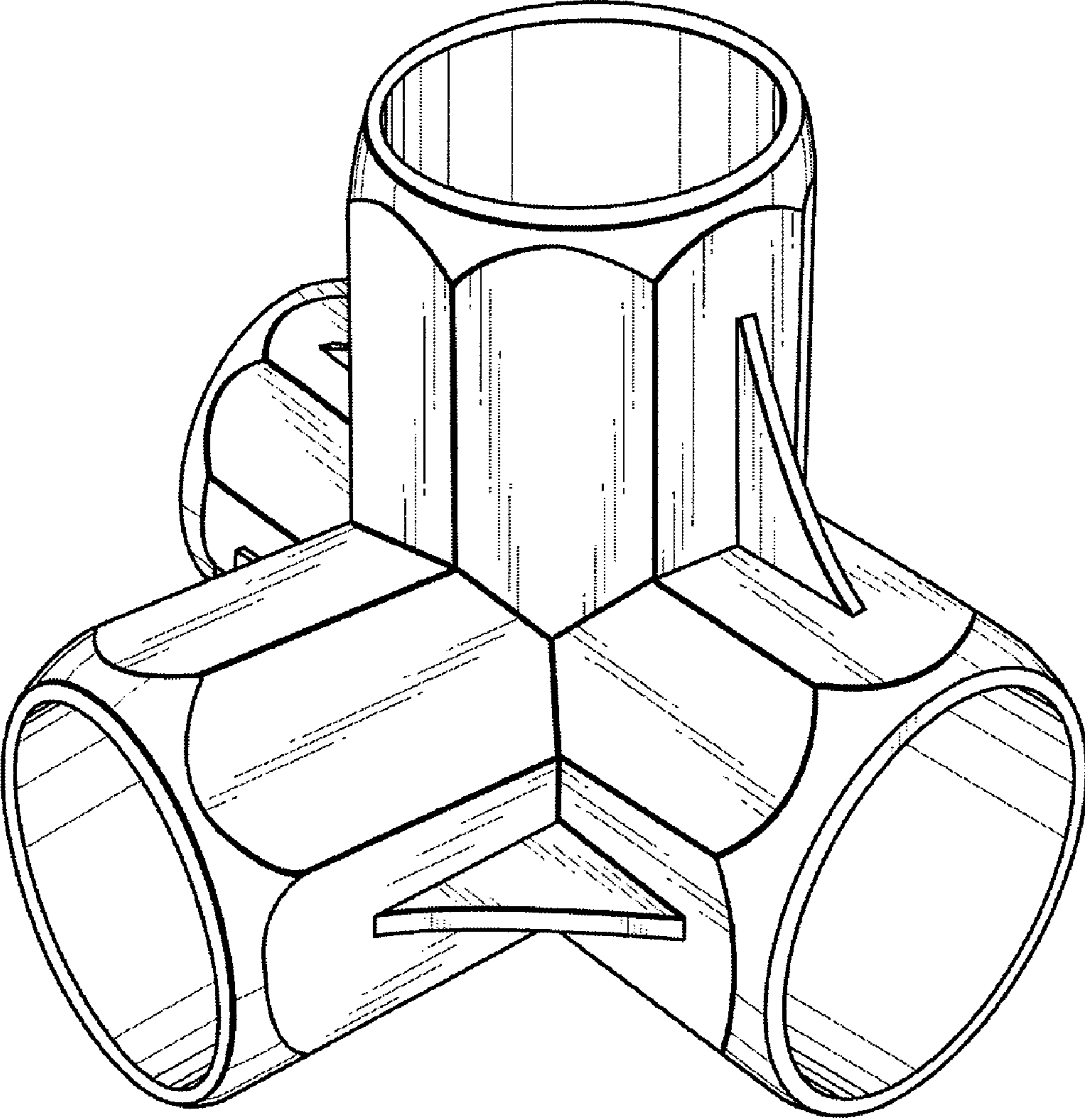


FIG. 1

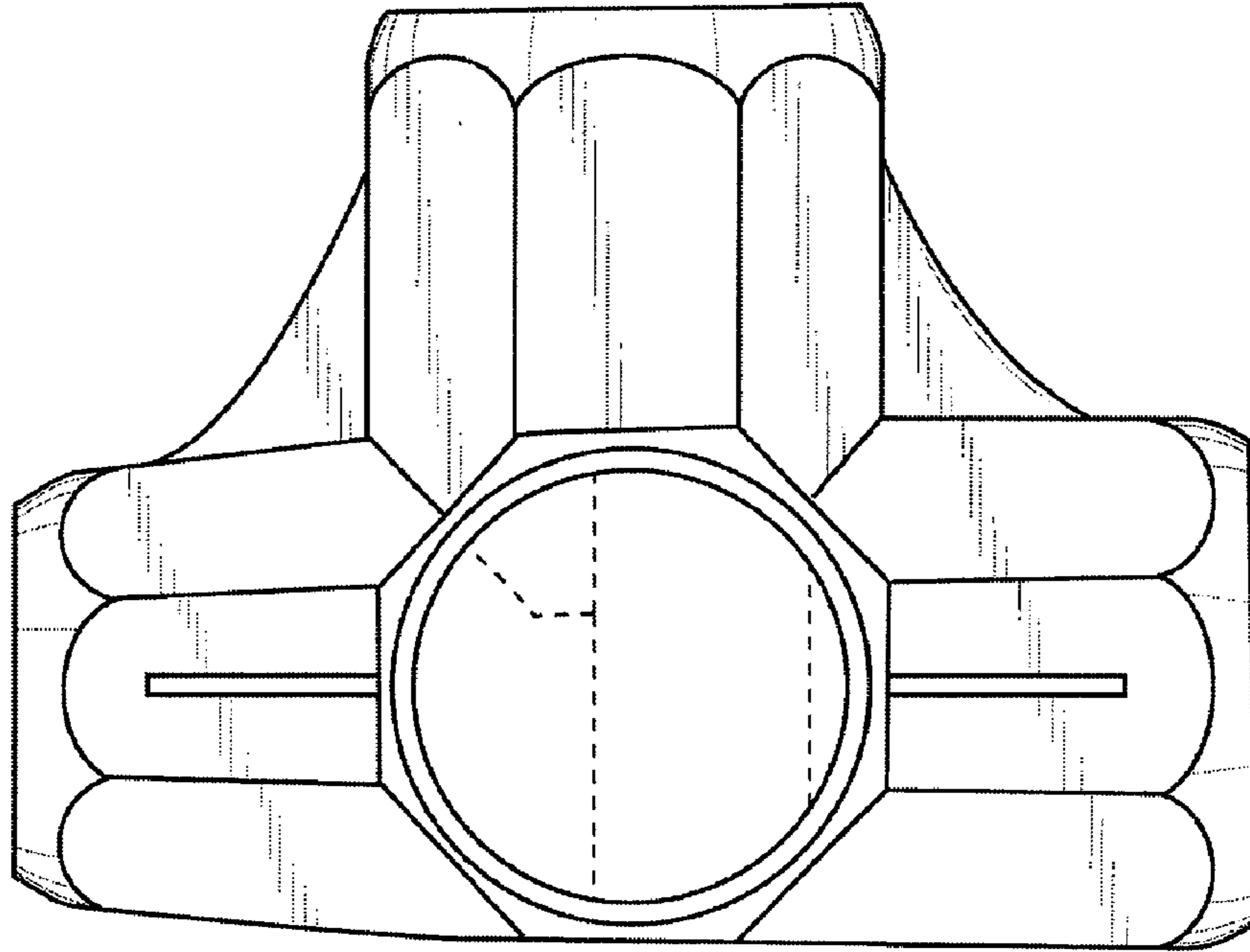


FIG. 2

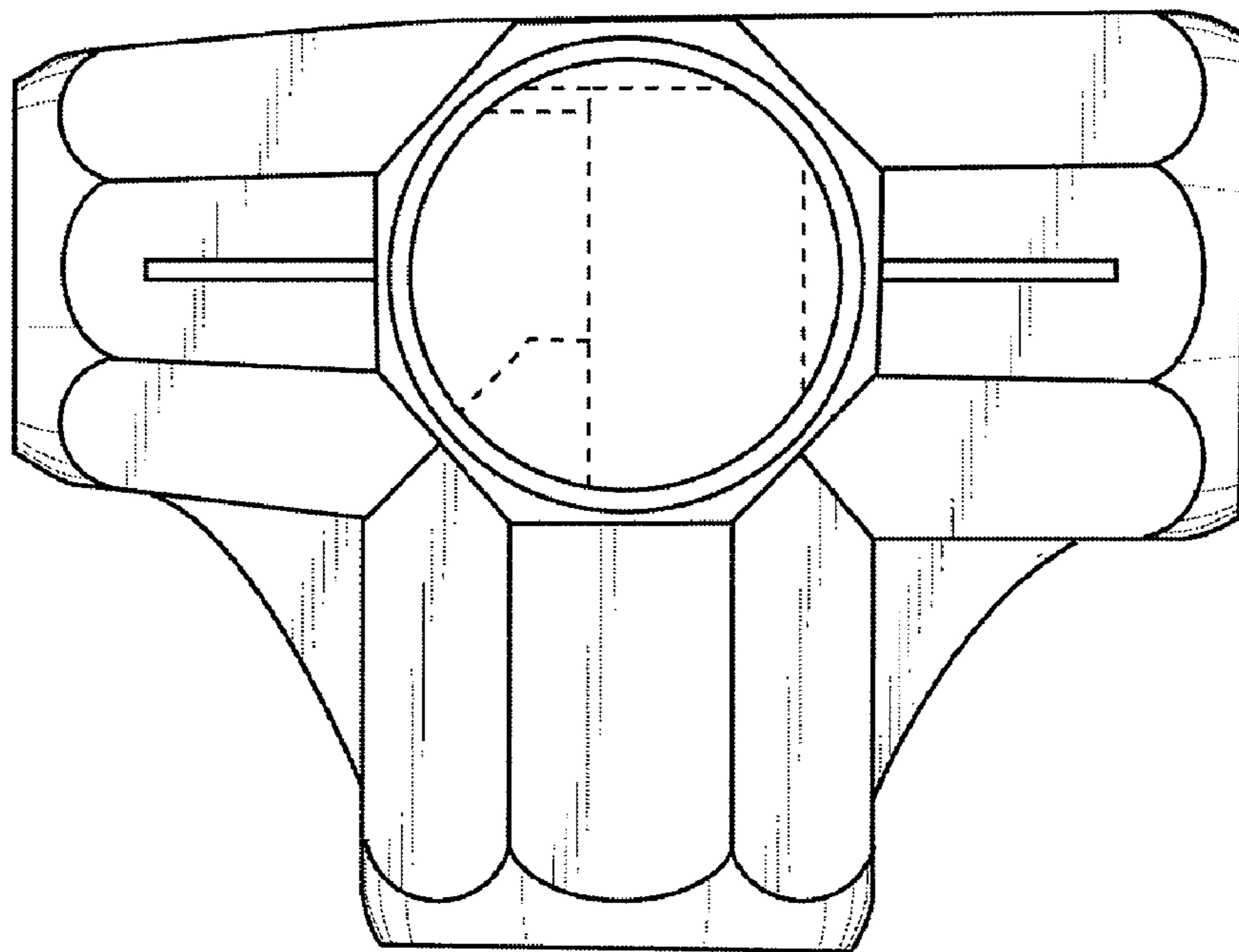


FIG. 3

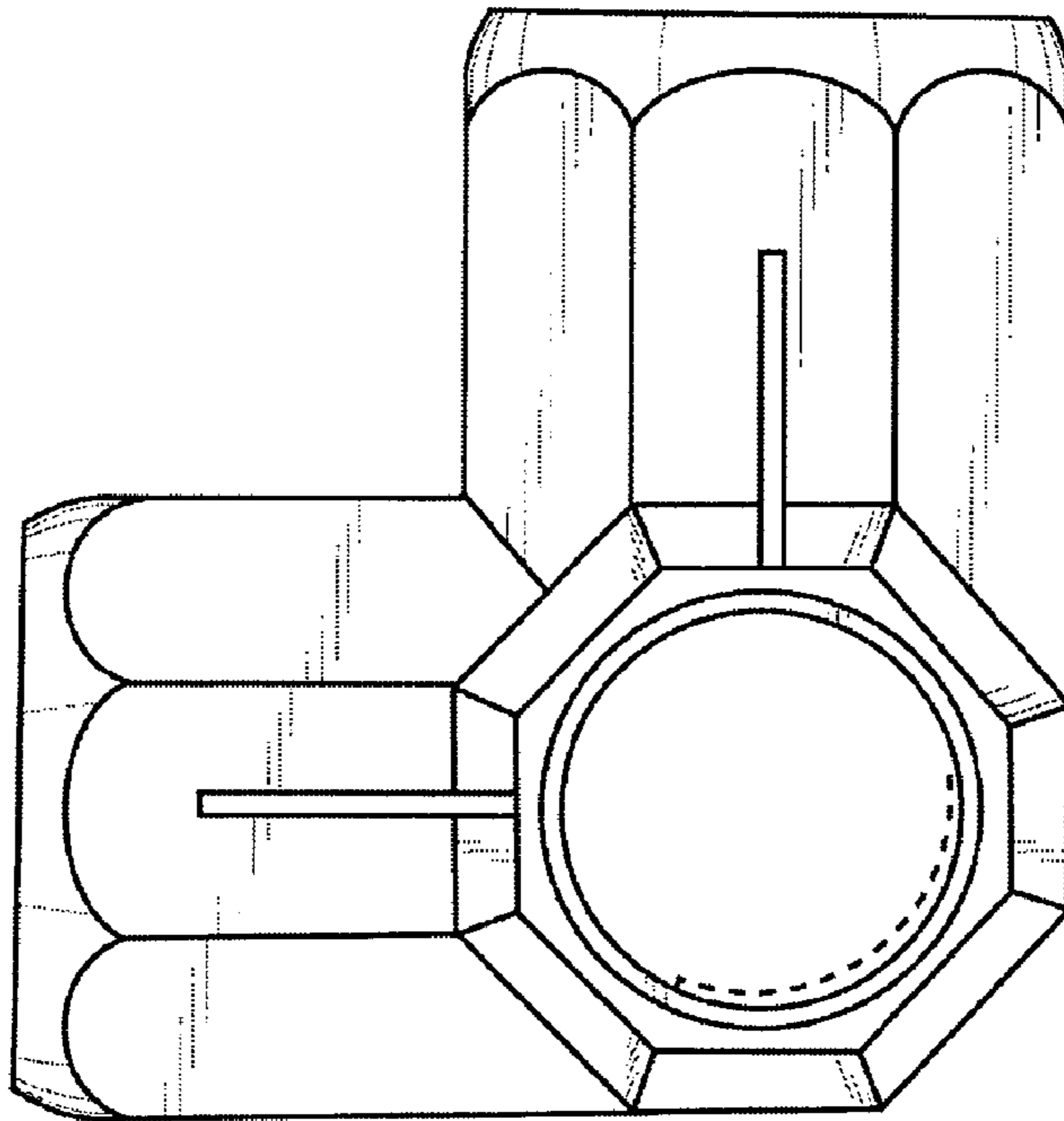


FIG. 4

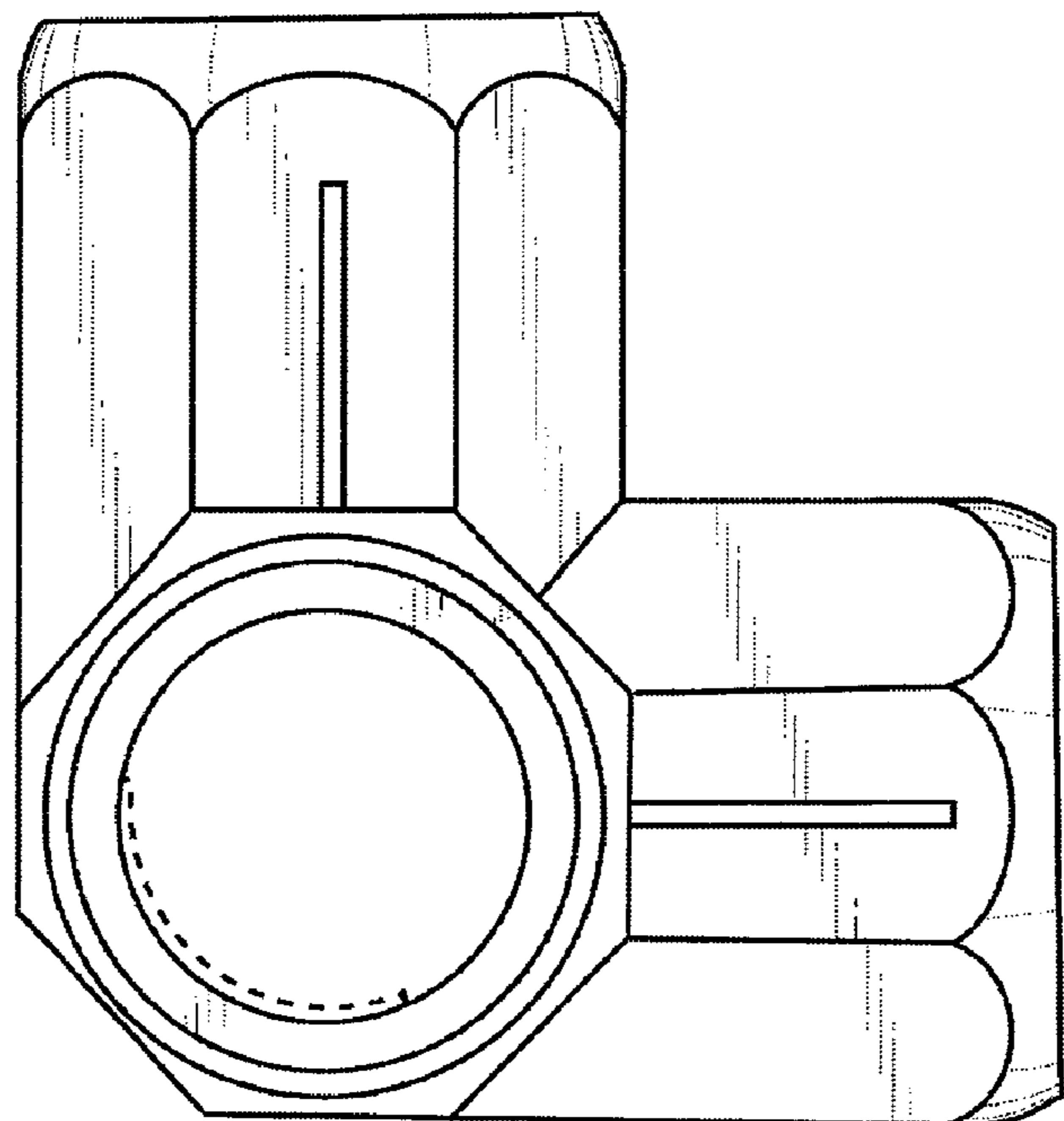


FIG. 5

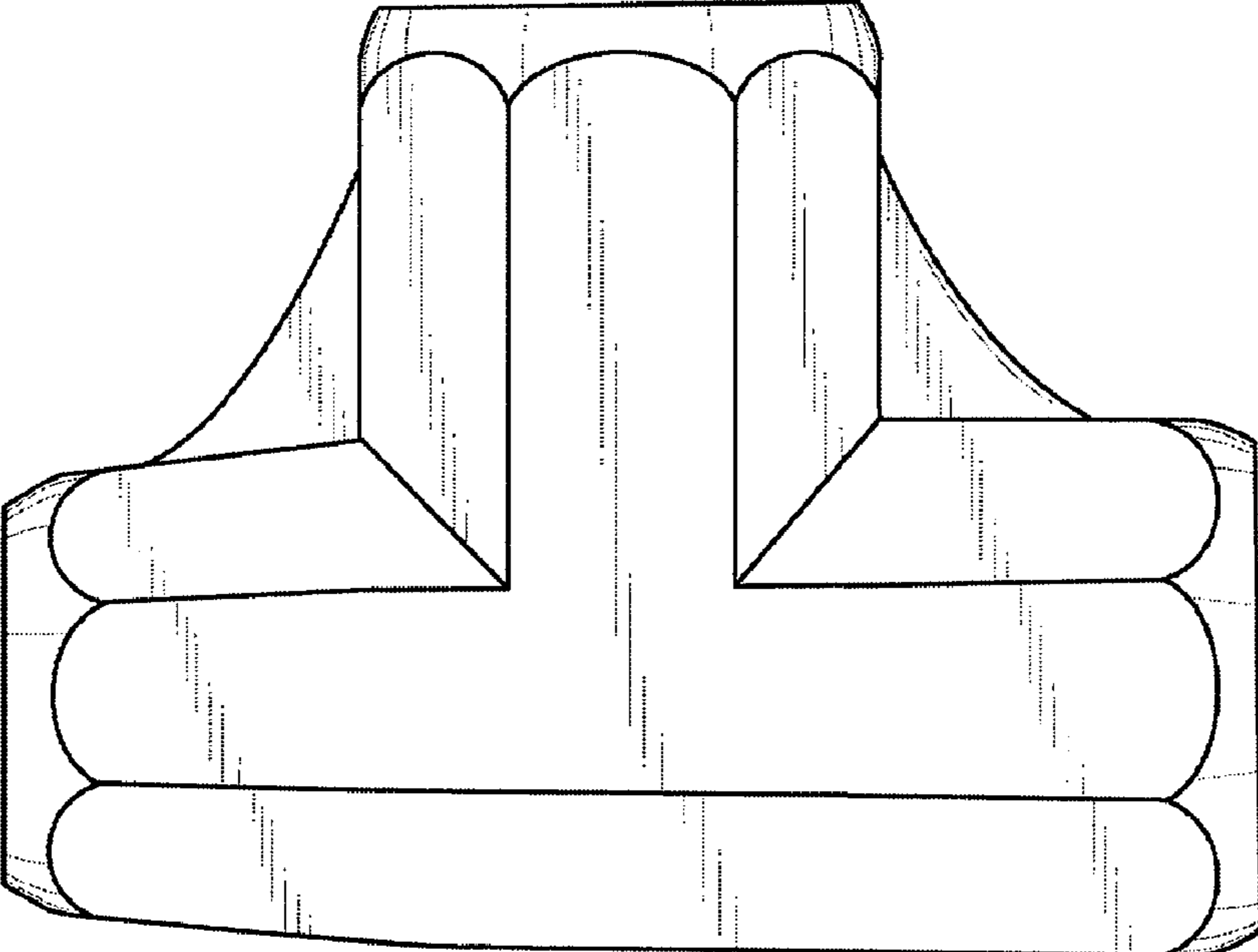


FIG. 6

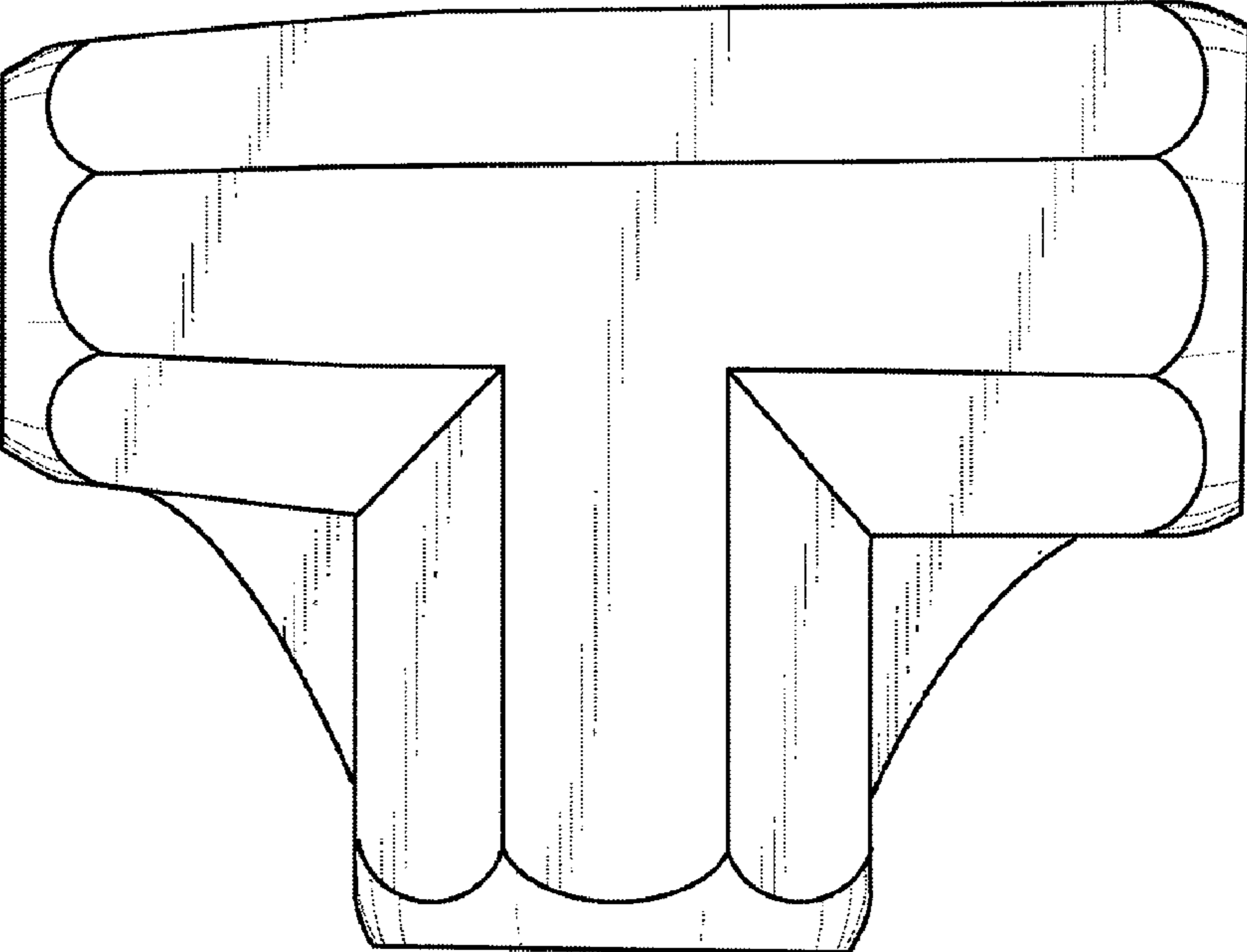


FIG. 7

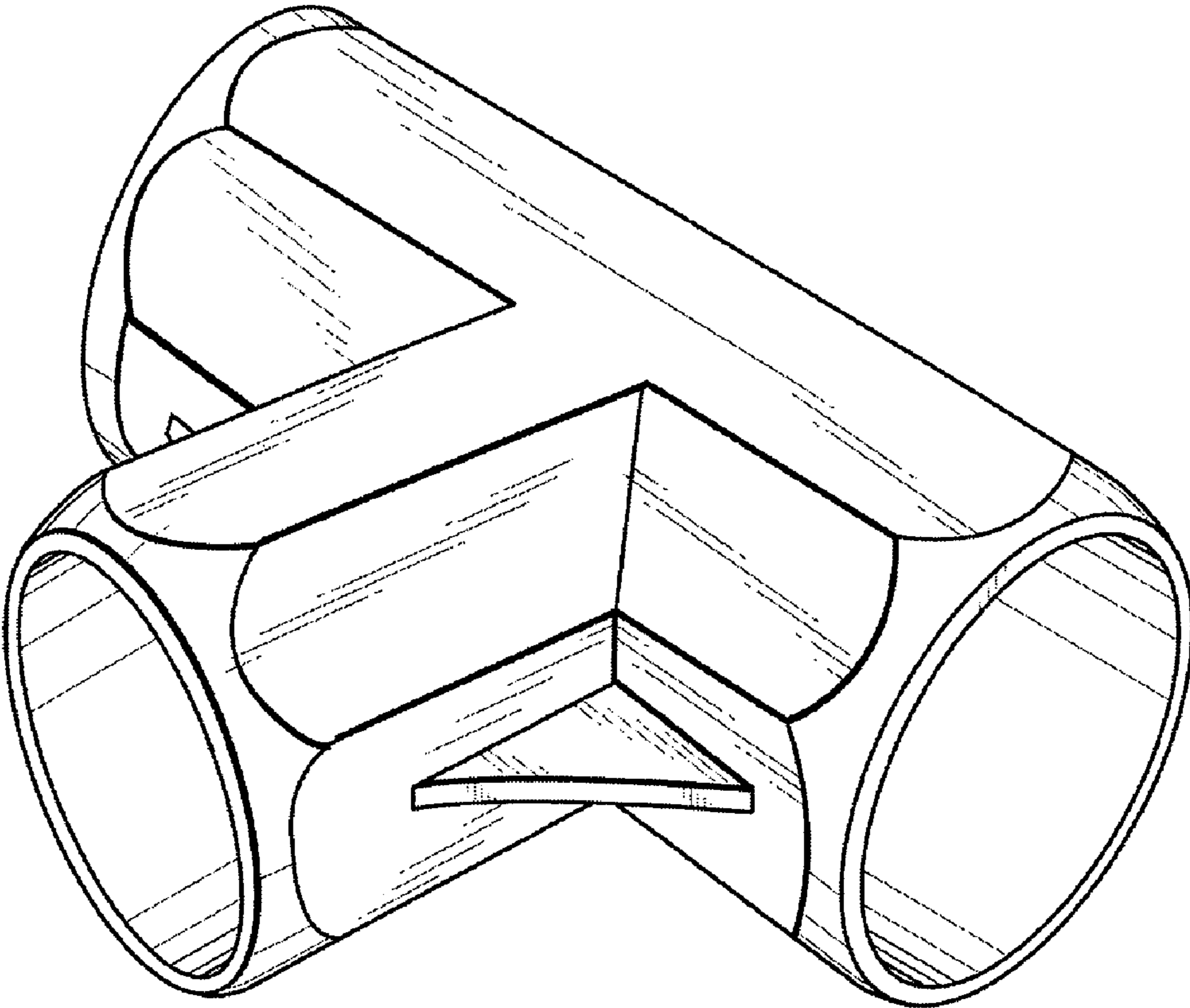


FIG. 8

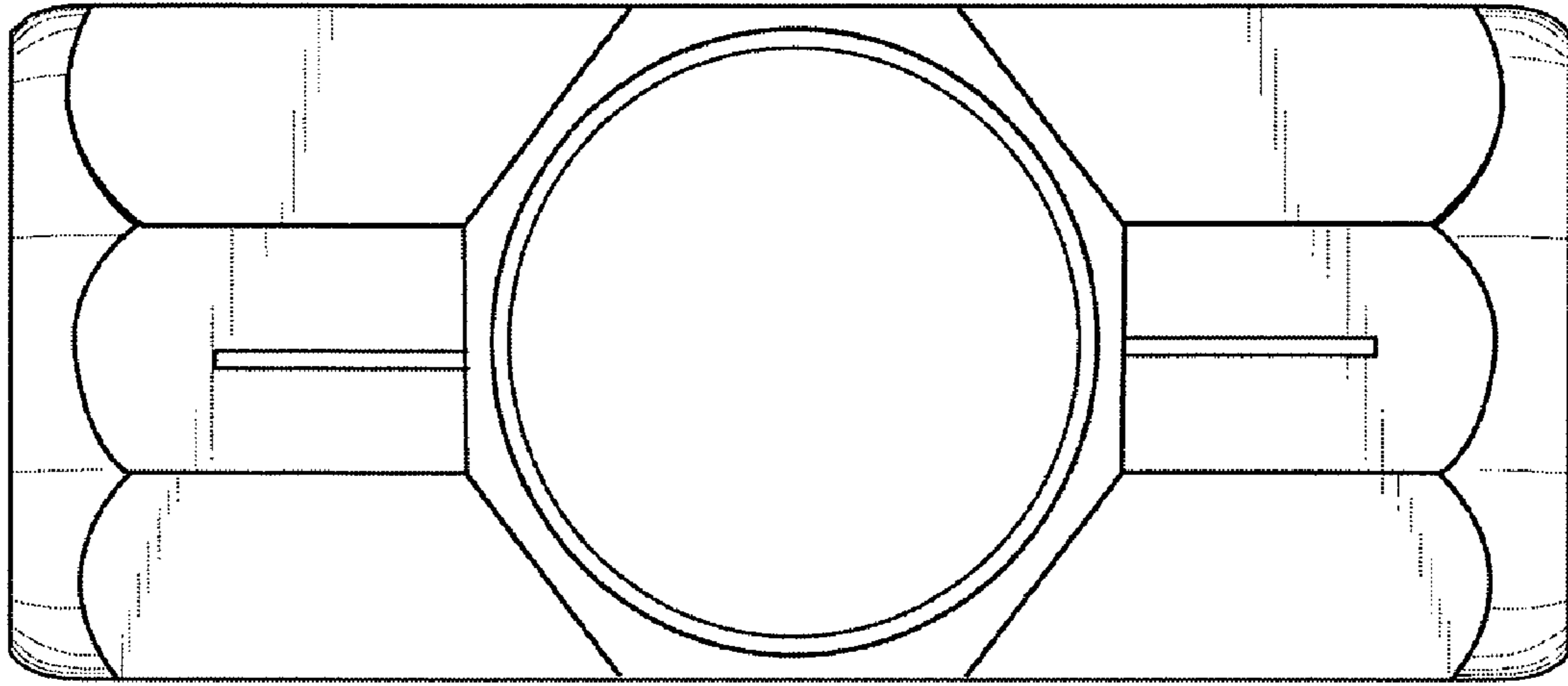


FIG. 9

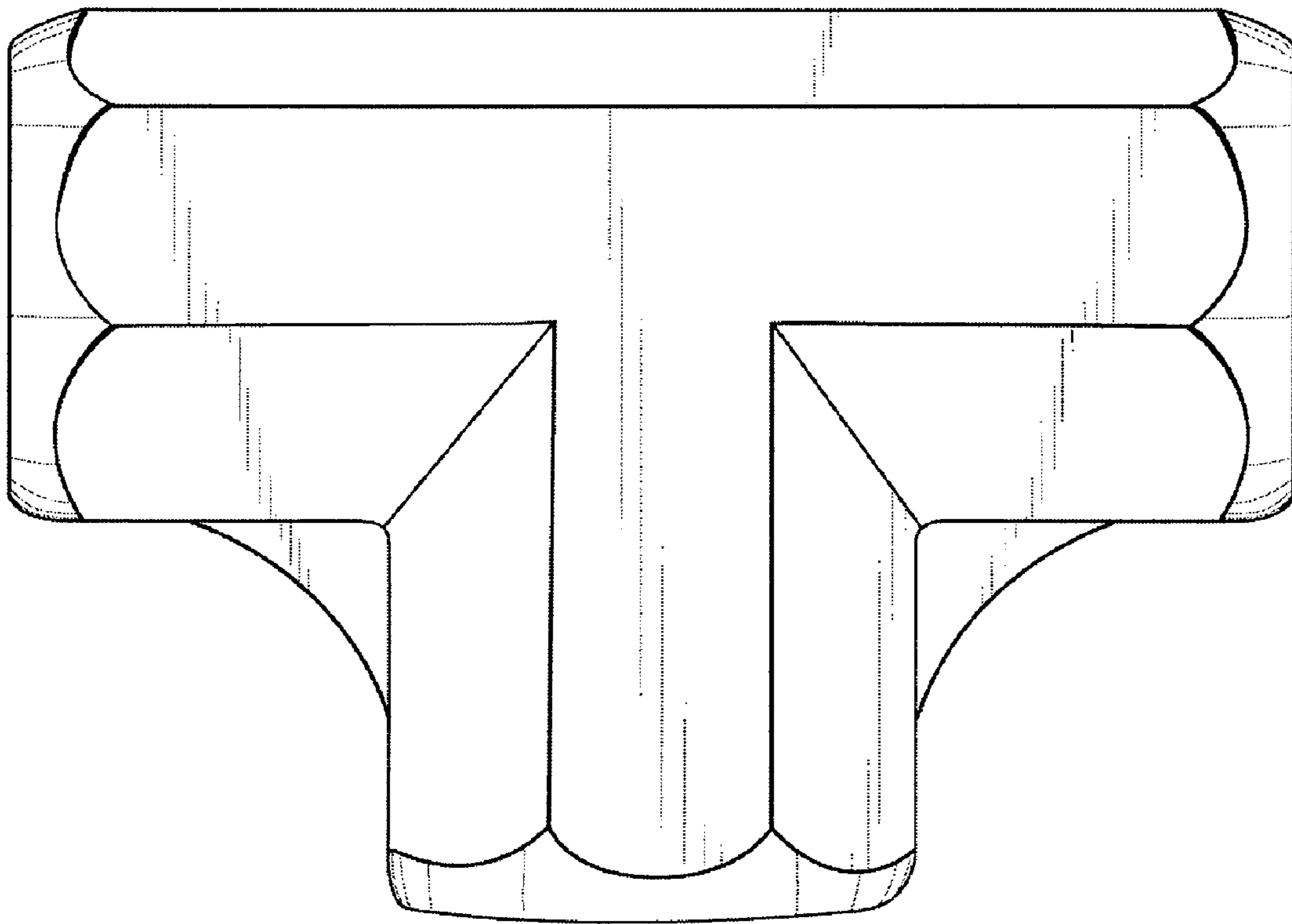


FIG. 10

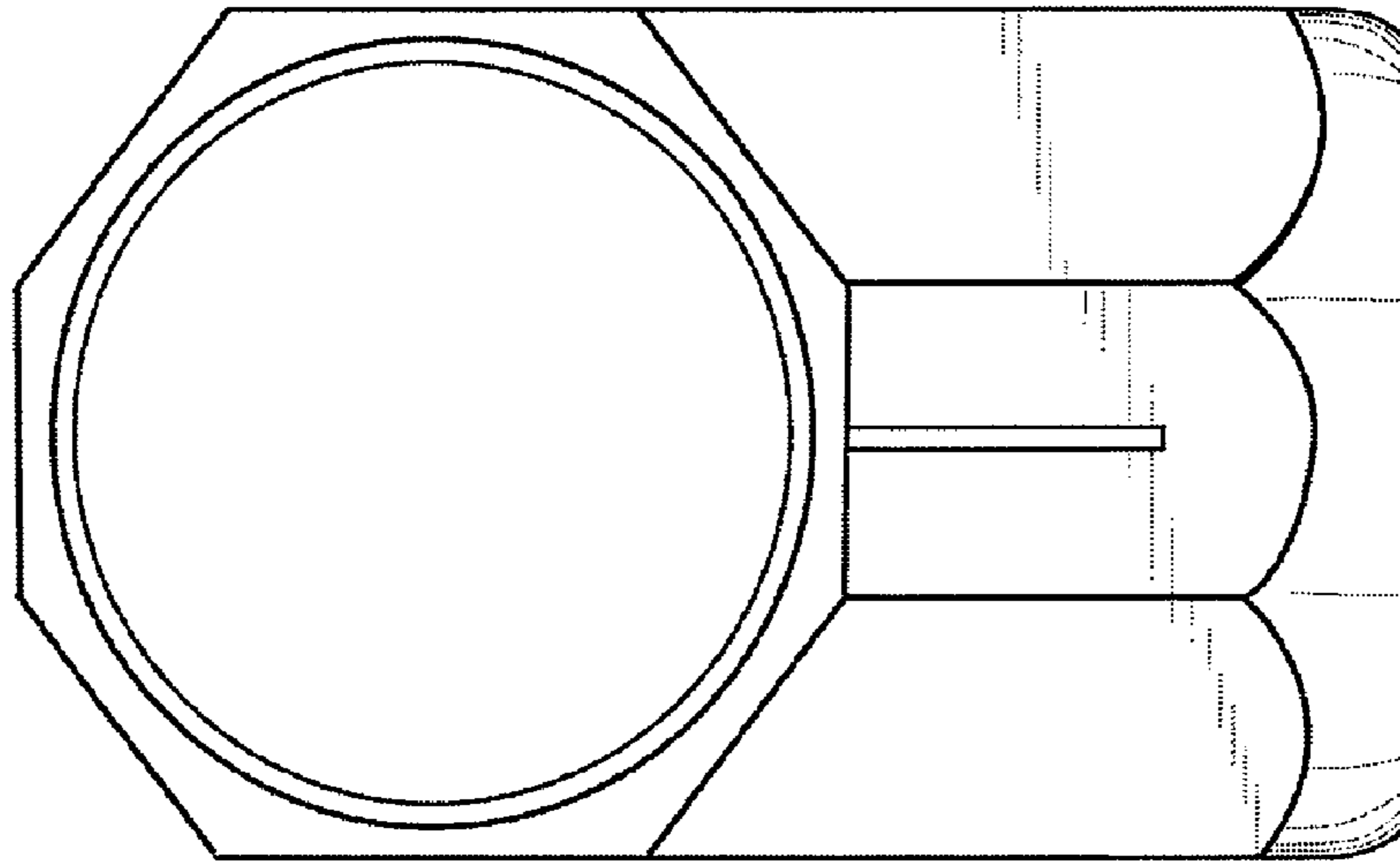


FIG. 11

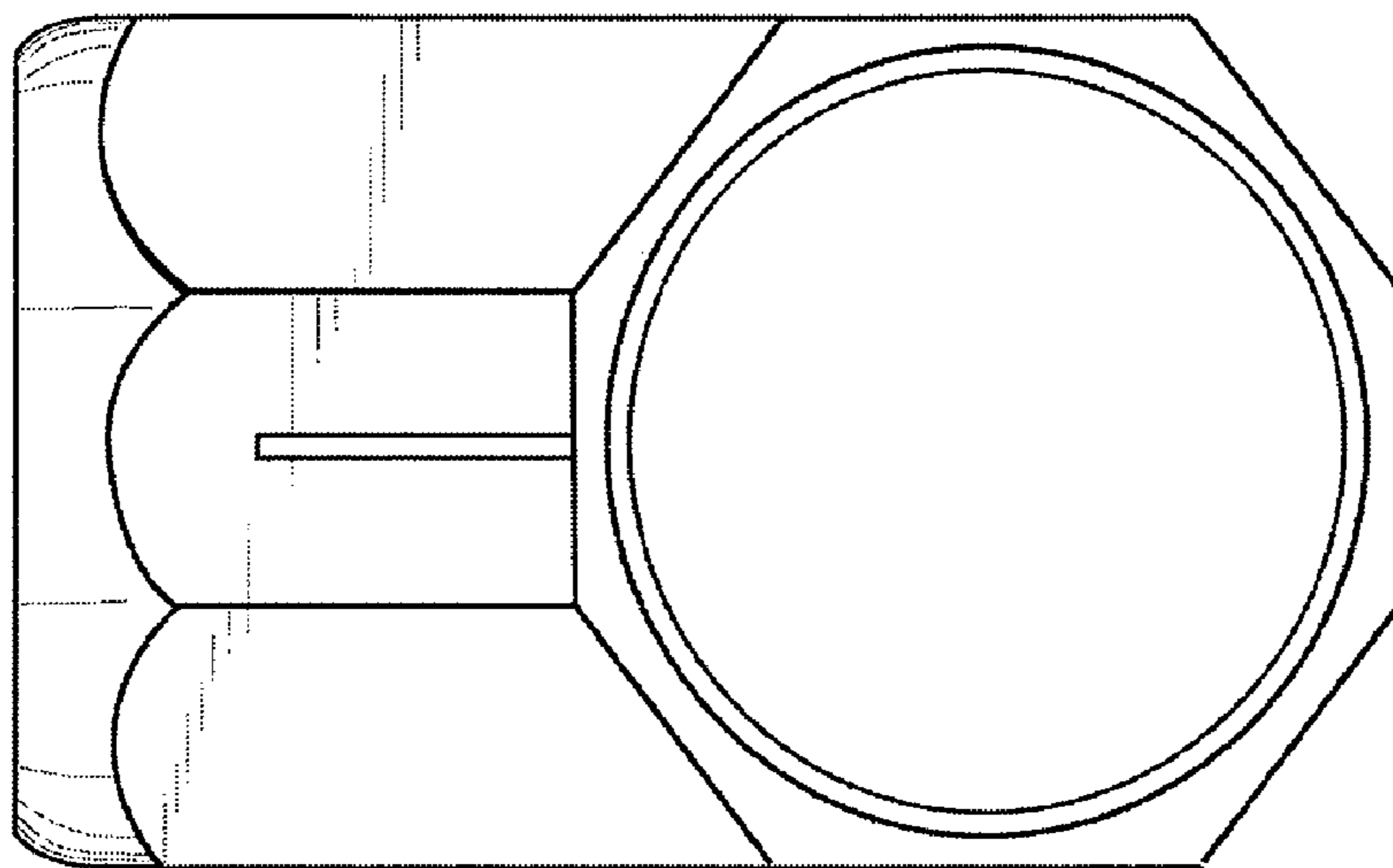


FIG. 12

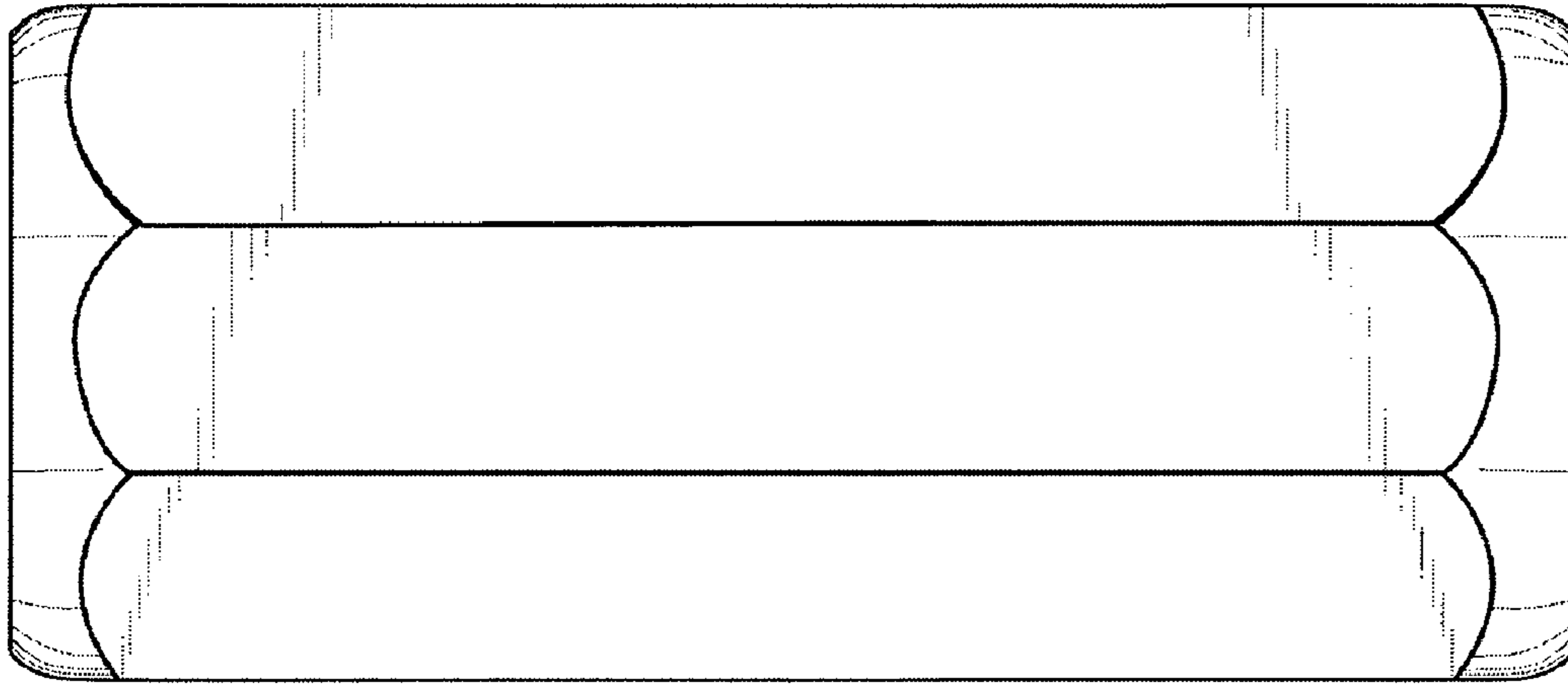


FIG. 13

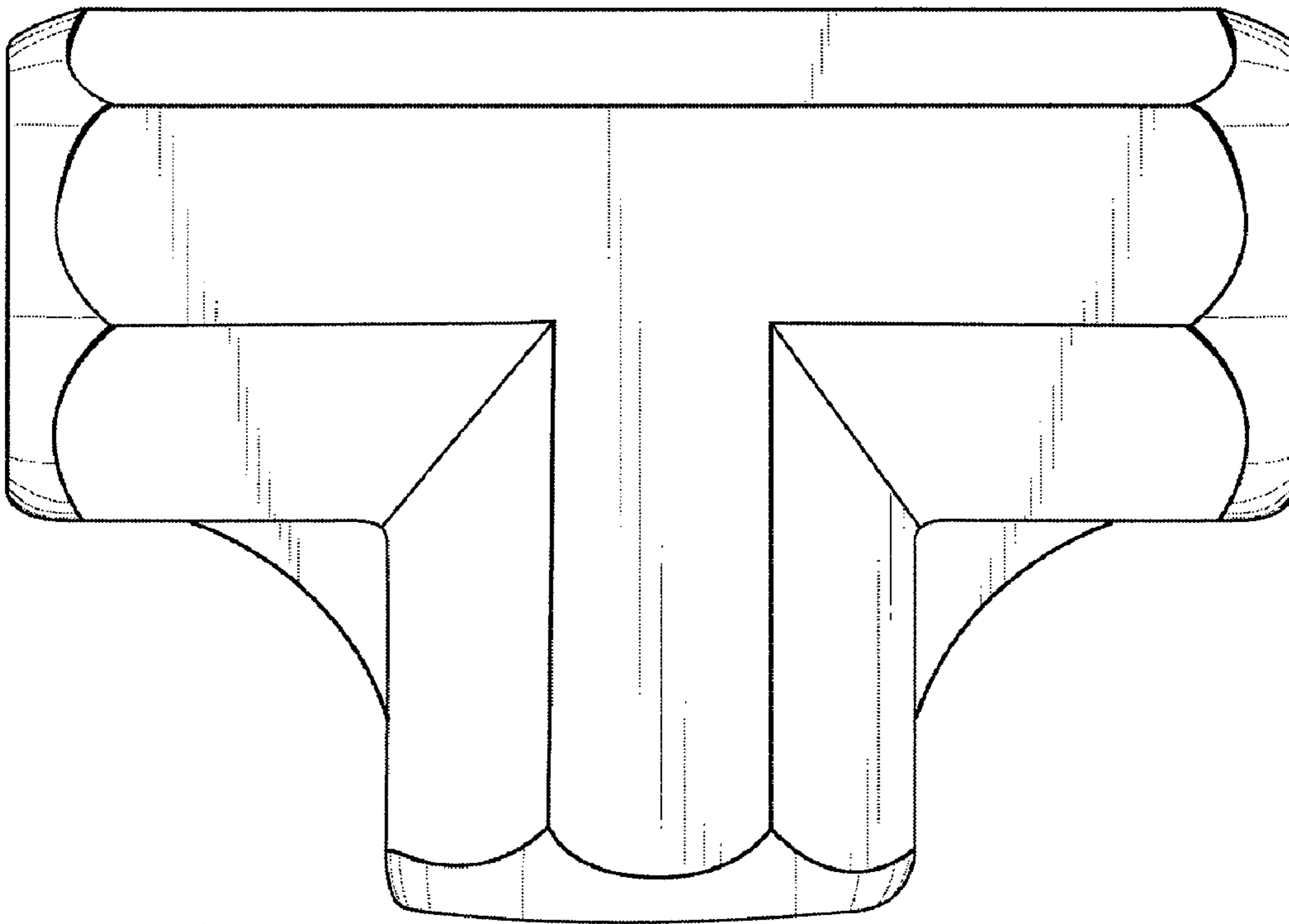


FIG. 14