



US00D592491S

(12) **United States Design Patent**  
**Kirby**

(10) **Patent No.:** **US D592,491 S**

(45) **Date of Patent:** **\*\* May 19, 2009**

(54) **TRI-SLOT BACK**

D470,397 S 2/2003 Valiulis et al.

D472,278 S 3/2003 Valiulis

6,622,979 B2 9/2003 Valiulis

(75) Inventor: **Mary Kirby**, Beloit, WI (US)

\* cited by examiner

(73) Assignee: **Southern Imperial, Inc.**, Rockford, IL (US)

*Primary Examiner*—Holly H Baynham

(74) *Attorney, Agent, or Firm*—Reinhart Boerner Van Deuren P.C.

(\*\*) Term: **14 Years**

(21) Appl. No.: **29/302,518**

(57) **CLAIM**

(22) Filed: **Jan. 18, 2008**

I claim the ornamental design for the tri-slot back, as shown and described.

(51) **LOC (9) Cl.** ..... **08-05**

(52) **U.S. Cl.** ..... **D8/380**

(58) **Field of Classification Search** ..... D8/363, D8/380–381; 248/220.41–220.42, 220.31  
See application file for complete search history.

**DESCRIPTION**

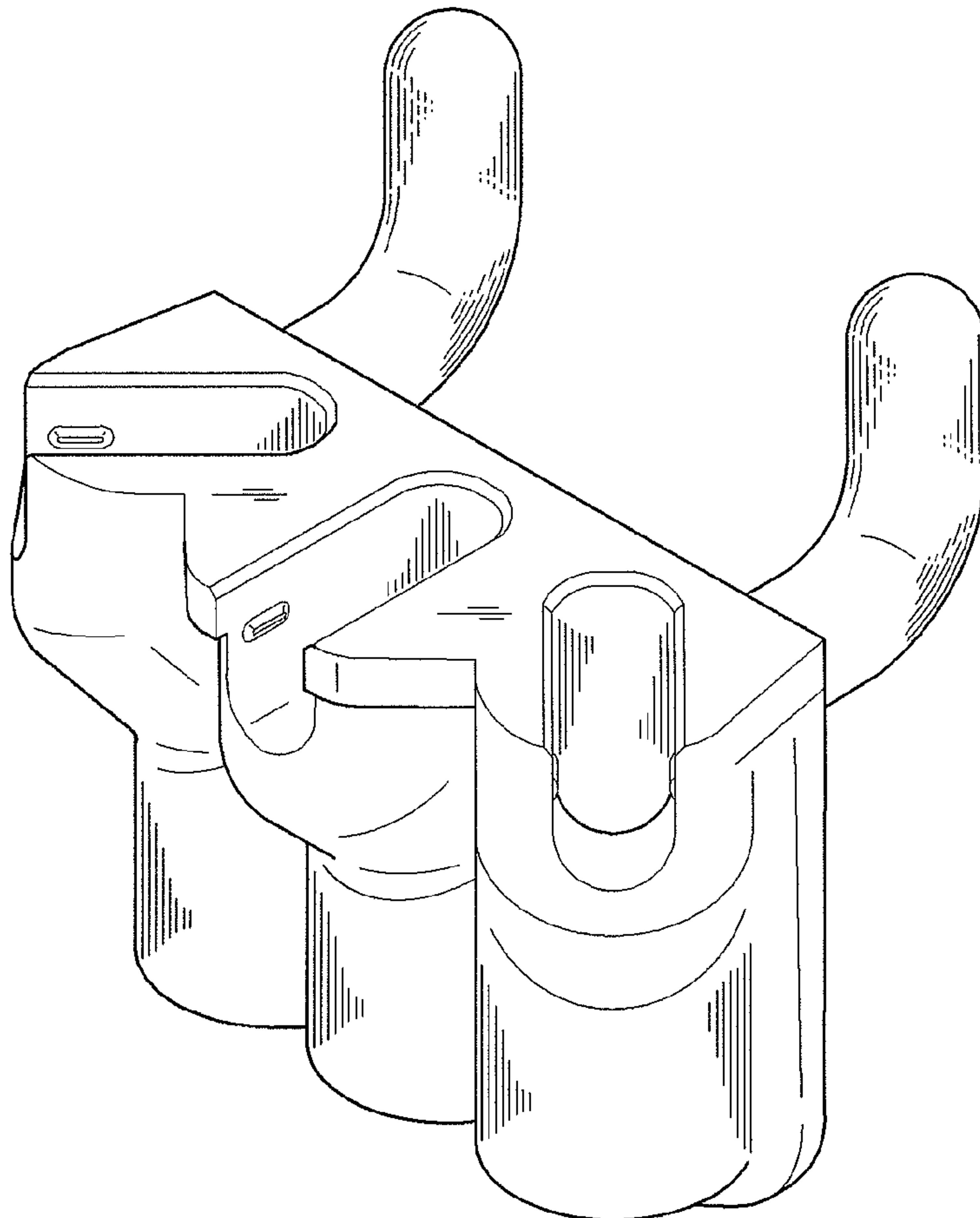
FIG. 1 is a perspective view of the tri-slot back;  
FIG. 2 is a front view of the tri-slot back of FIG. 1;  
FIG. 3 is a back view of the tri-slot back of FIG. 1;  
FIG. 4 is a side view of the tri-slot back of FIG. 1;  
FIG. 5 is a side view of the tri-slot back of FIG. 1 showing the side opposite that shown in FIG. 4;  
FIG. 6 is a top view of the tri-slot back of FIG. 1; and,  
FIG. 7 is a bottom view of the tri-slot back of FIG. 1.

(56) **References Cited**

U.S. PATENT DOCUMENTS

3,985,325	A *	10/1976	Ginsburg et al.	.....	248/220.22
4,026,508	A *	5/1977	Ziegler	.....	248/220.22
4,474,351	A *	10/1984	Thalenfeld	.....	248/220.22
4,750,698	A *	6/1988	Barnes	.....	248/220.22
4,783,033	A	11/1988	Valiulis		
5,231,779	A	8/1993	Valiulis et al.		

**1 Claim, 4 Drawing Sheets**



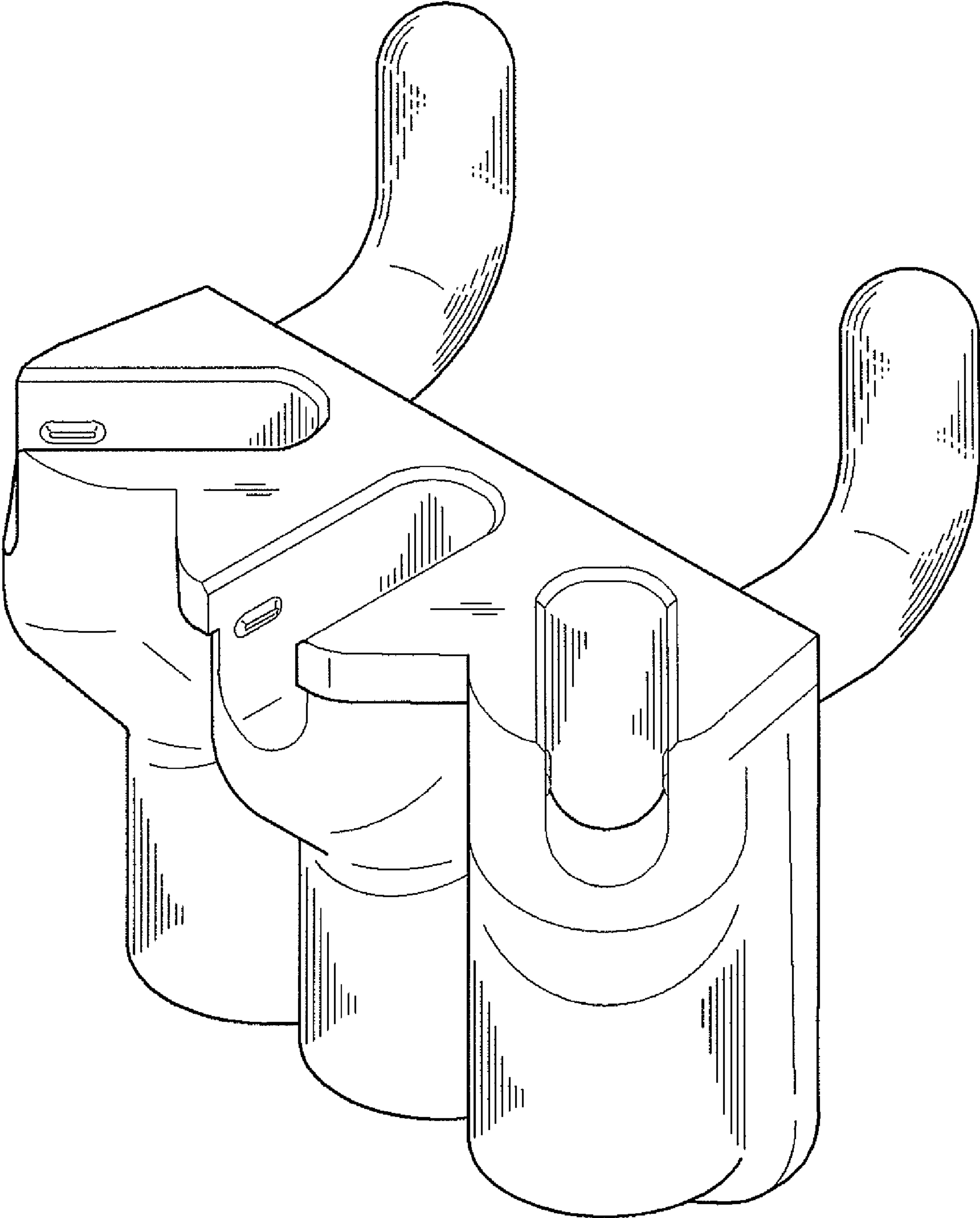


FIG. 1

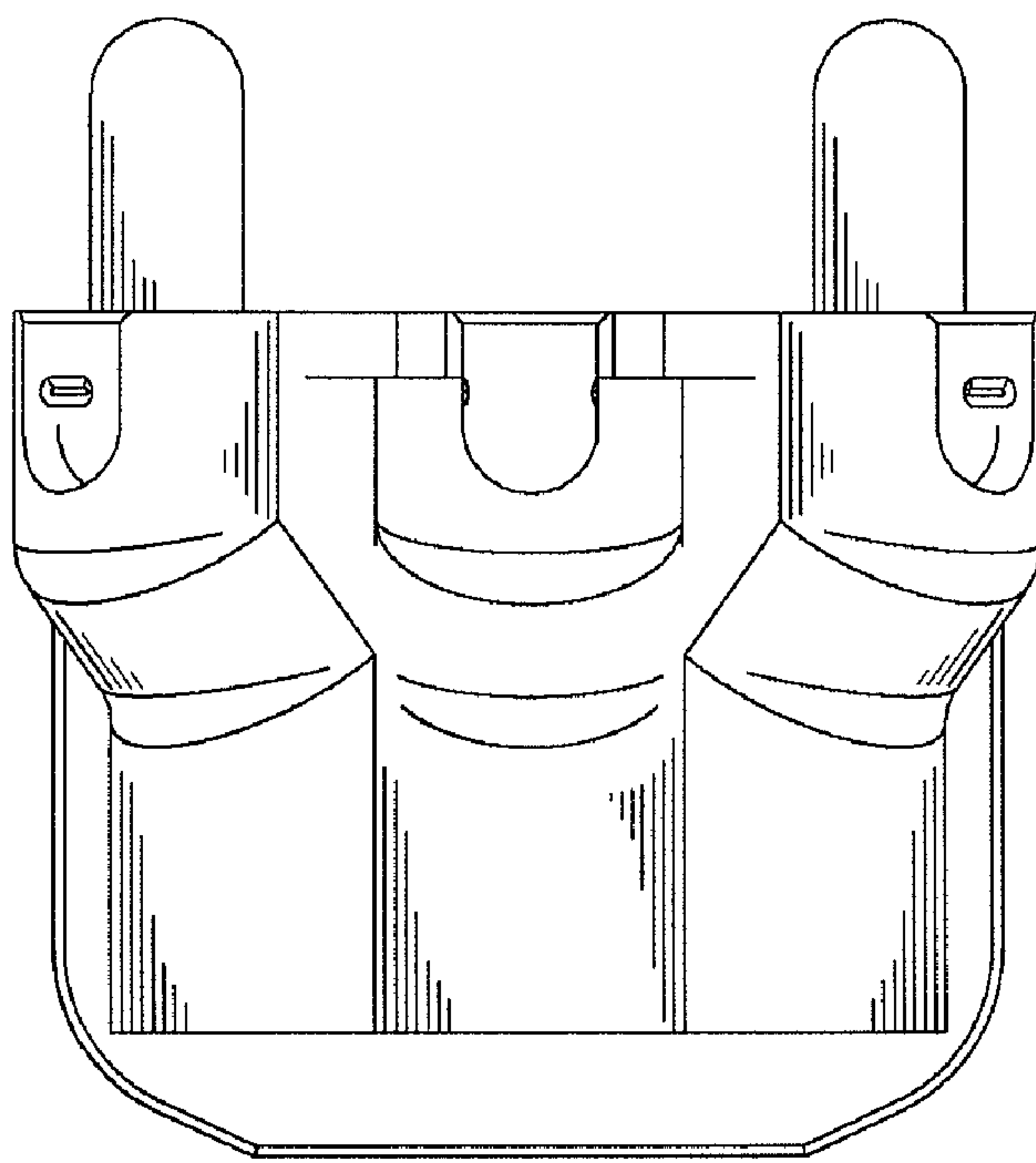


FIG. 2

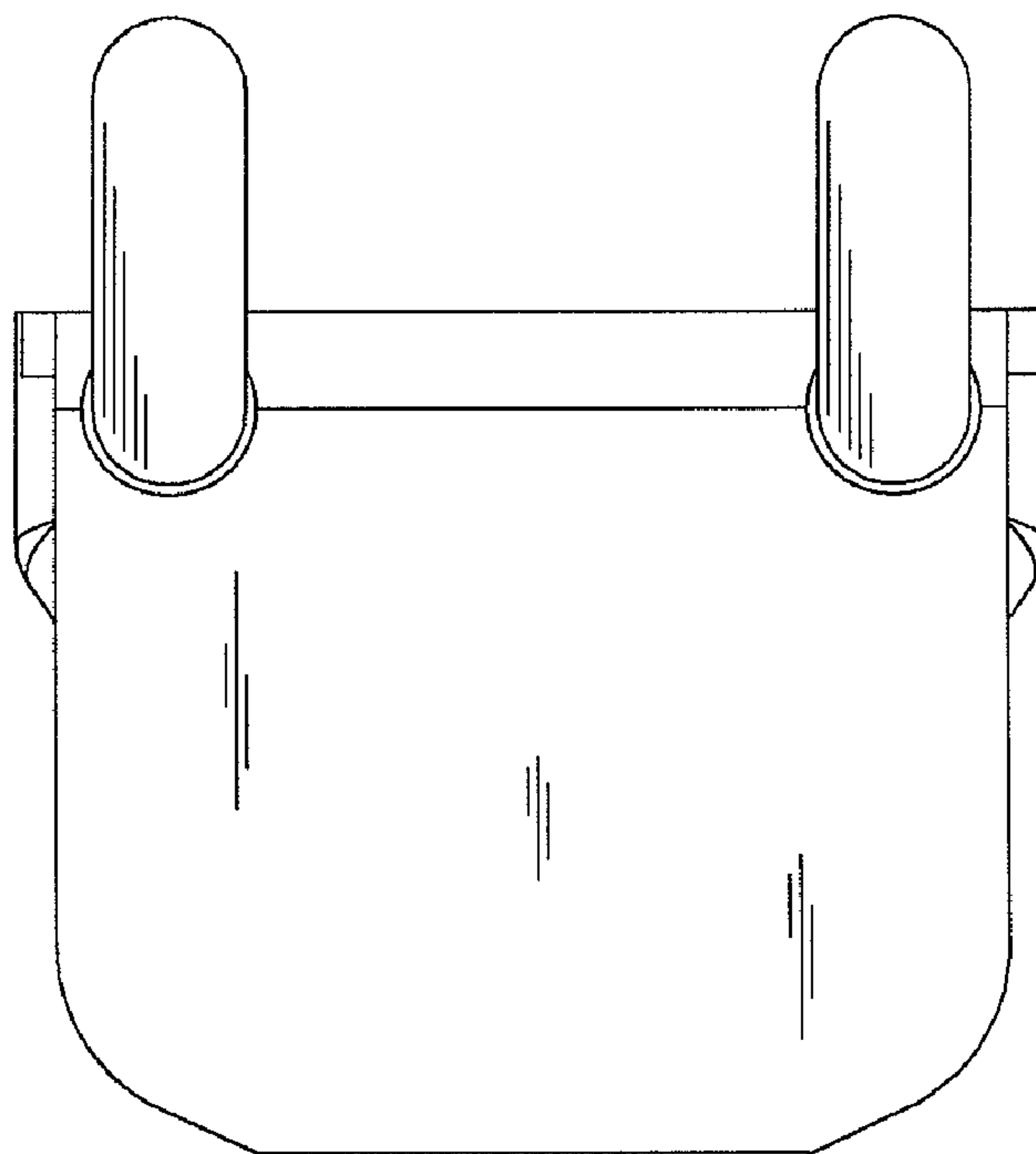
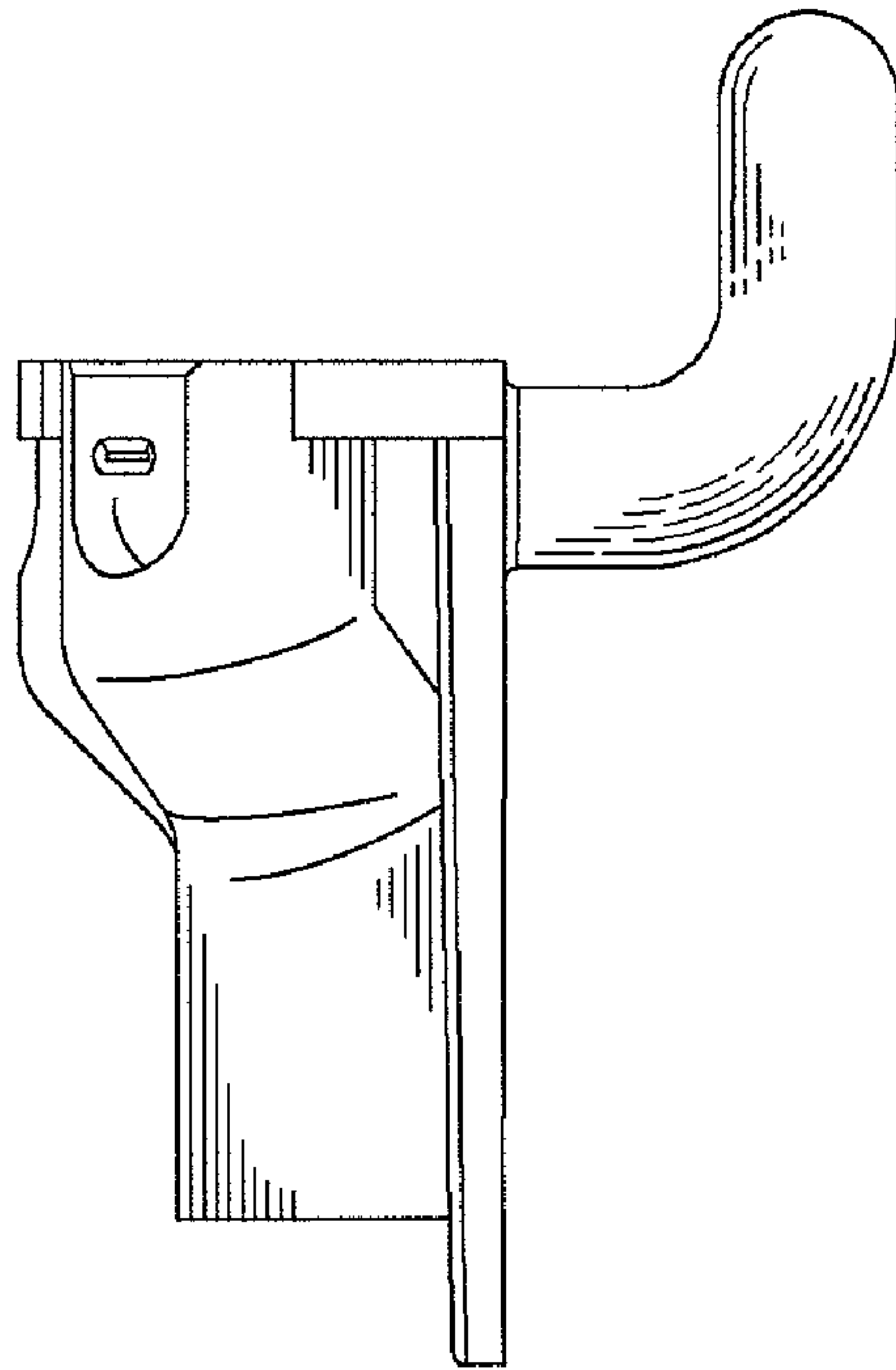
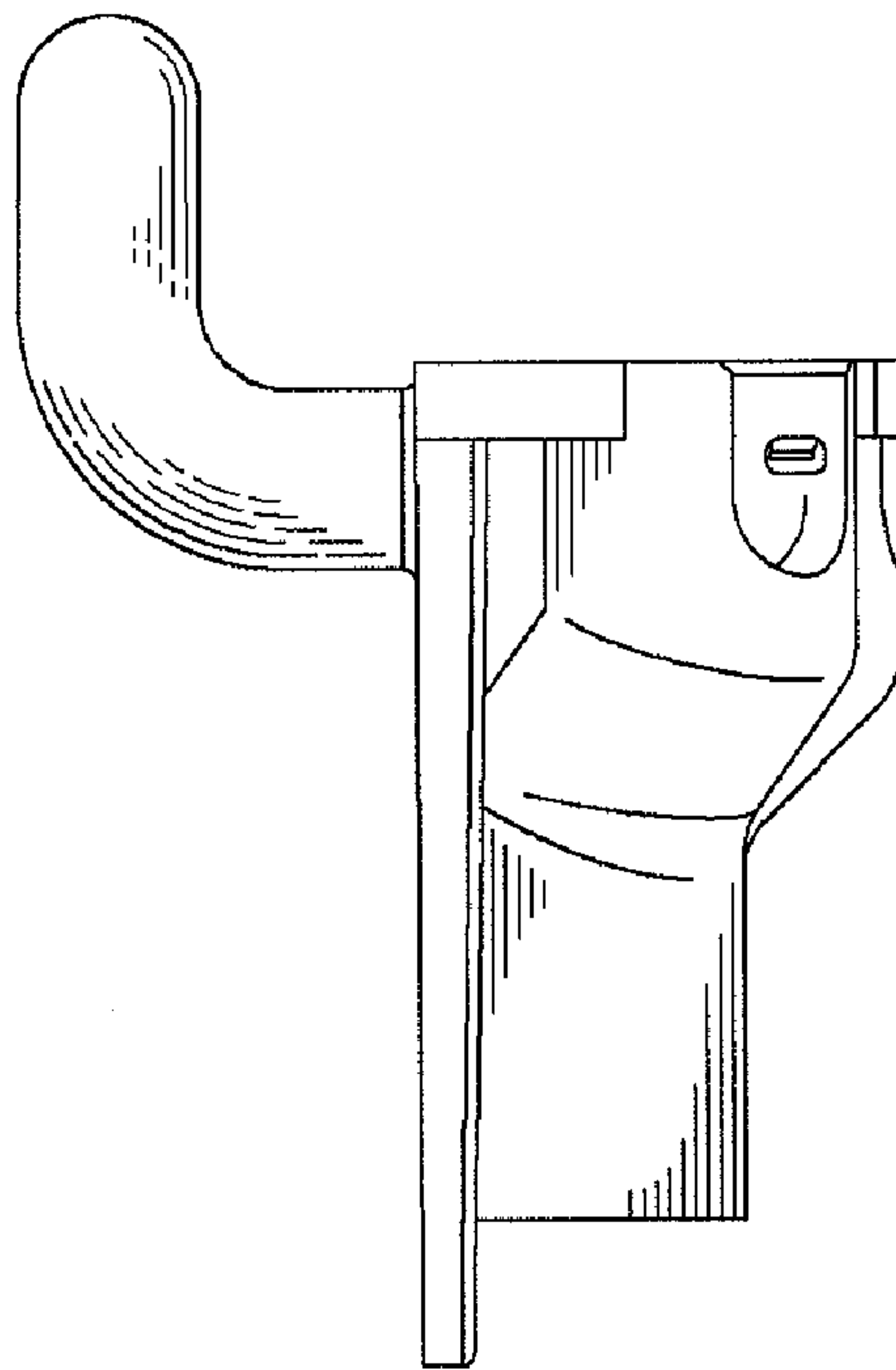


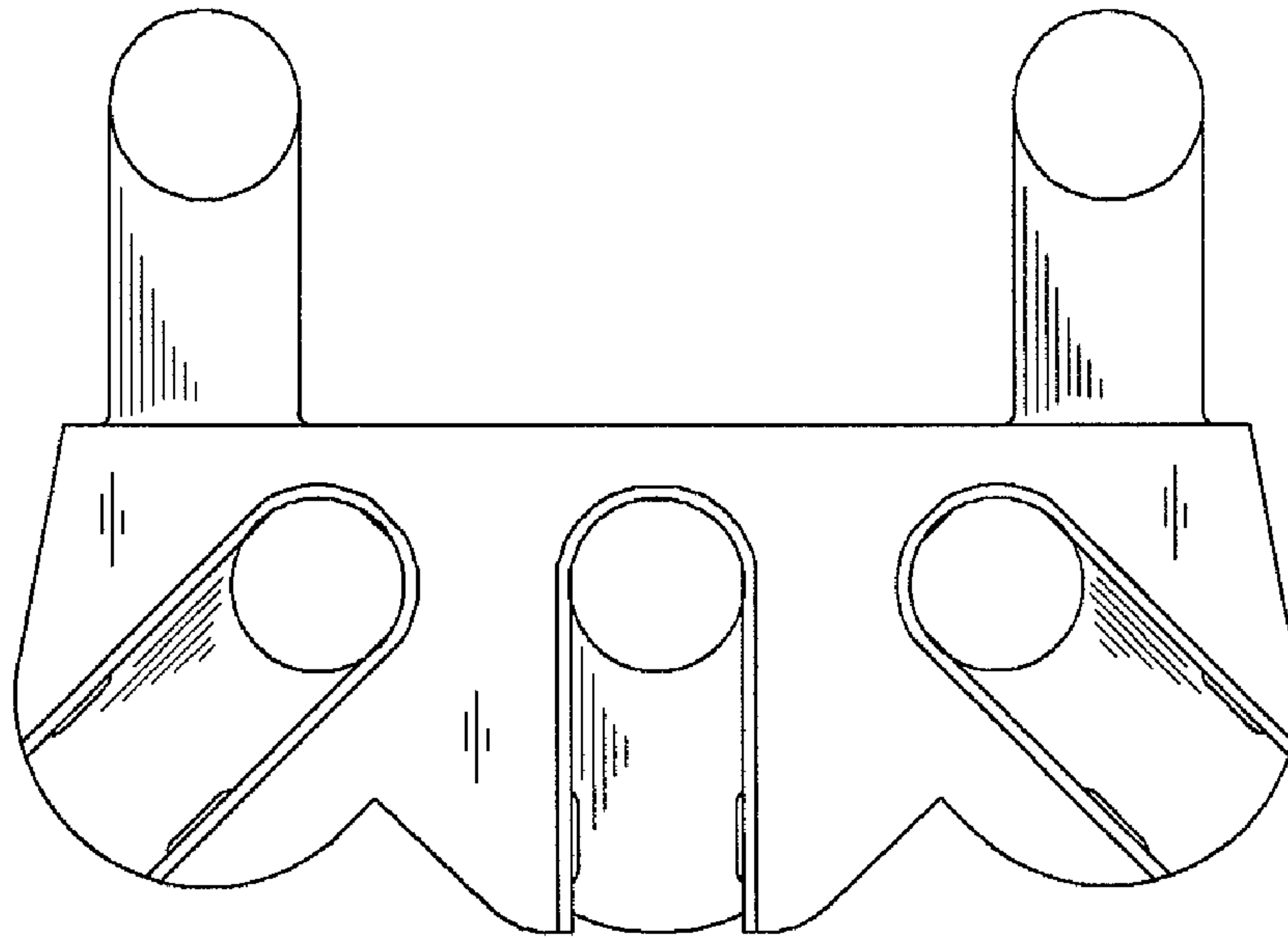
FIG. 3



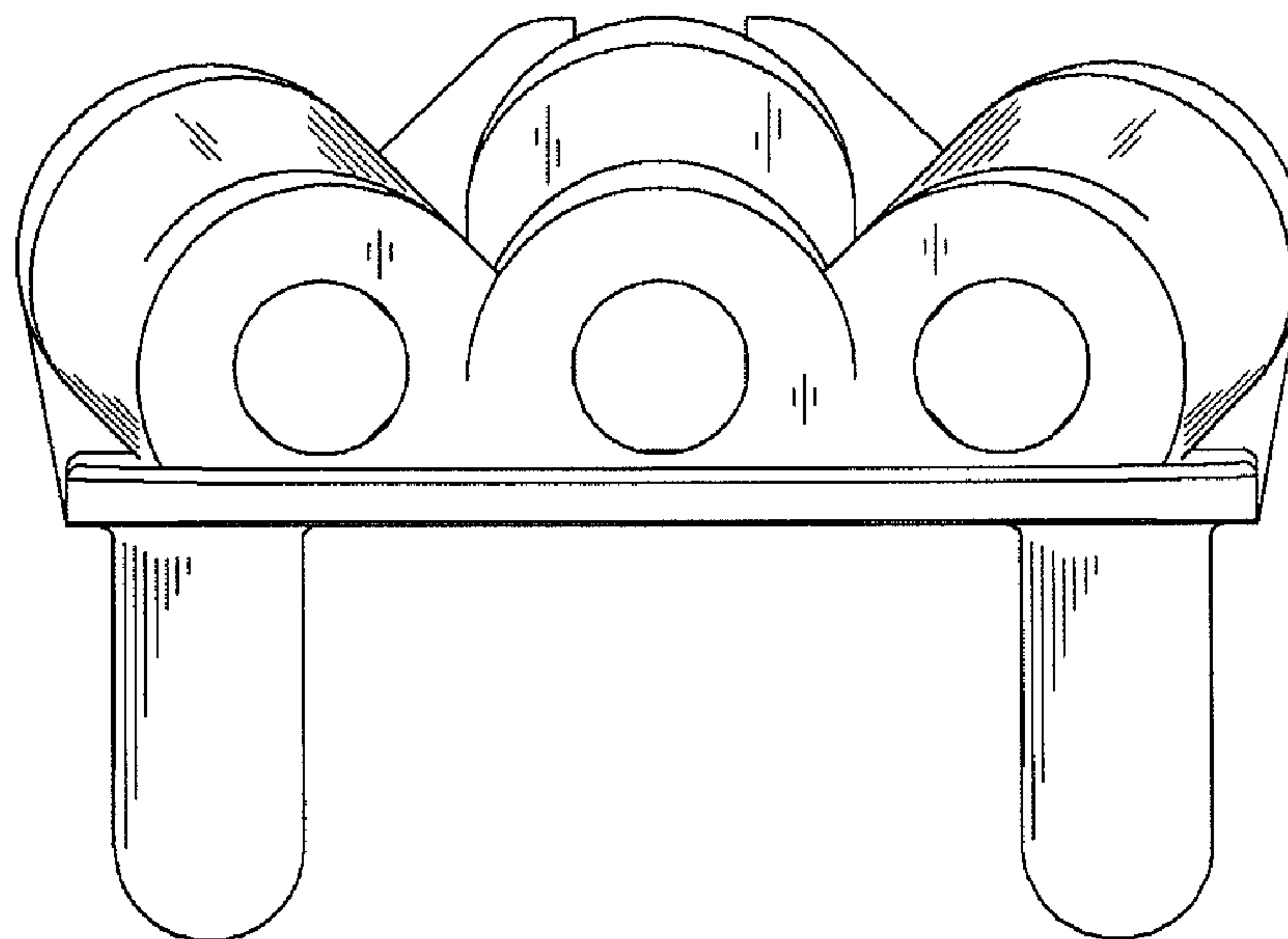
**FIG. 4**



**FIG. 5**



**FIG. 6**



**FIG. 7**