

US00D592490S

(12) **United States Design Patent**
Frame

(10) **Patent No.:** **US D592,490 S**

(45) **Date of Patent:** **** May 19, 2009**

(54) **CASTER**

(57) **CLAIM**

(75) Inventor: **William F. Frame**, Hockessin, DE (US)

The ornamental design for a caster, as shown and described.

(73) Assignee: **Jacob Holtz Company**, Lester, PA (US)

(**) Term: **14 Years**

DESCRIPTION

(21) Appl. No.: **29/317,692**

FIG. 1 is a perspective view of a first embodiment of a caster in accordance with my new design;

(22) Filed: **May 5, 2008**

FIG. 2 is a front elevational view thereof;

(51) **LOC (9) Cl.** **08-05**

FIG. 3 is a rear elevational view thereof;

(52) **U.S. Cl.** **D8/375**

FIG. 4 is a left side elevational view thereof;

(58) **Field of Classification Search** D8/375;
D34/27; D3/318; D12/501, 209, 208; 16/47,
16/46, 45, 35 R, 35 D, 31 R, 29, 22, 18 R,
16/18 CG

FIG. 5 is a right side elevational view thereof;

See application file for complete search history.

FIG. 6 is a top plan view thereof;

FIG. 7 is a bottom plan view thereof;

(56) **References Cited**

FIG. 8 is a perspective view of a second embodiment of a caster in accordance with my new design;

U.S. PATENT DOCUMENTS

FIG. 9 is a front elevational view thereof;

D220,938 S * 6/1971 Harlang D8/375

FIG. 10 is a rear elevational view thereof;

D245,313 S * 8/1977 Koepke D8/375

FIG. 11 is a left side elevational view thereof;

D505,316 S * 5/2005 Topel D8/375

FIG. 12 is a right-side elevational view thereof;

* cited by examiner

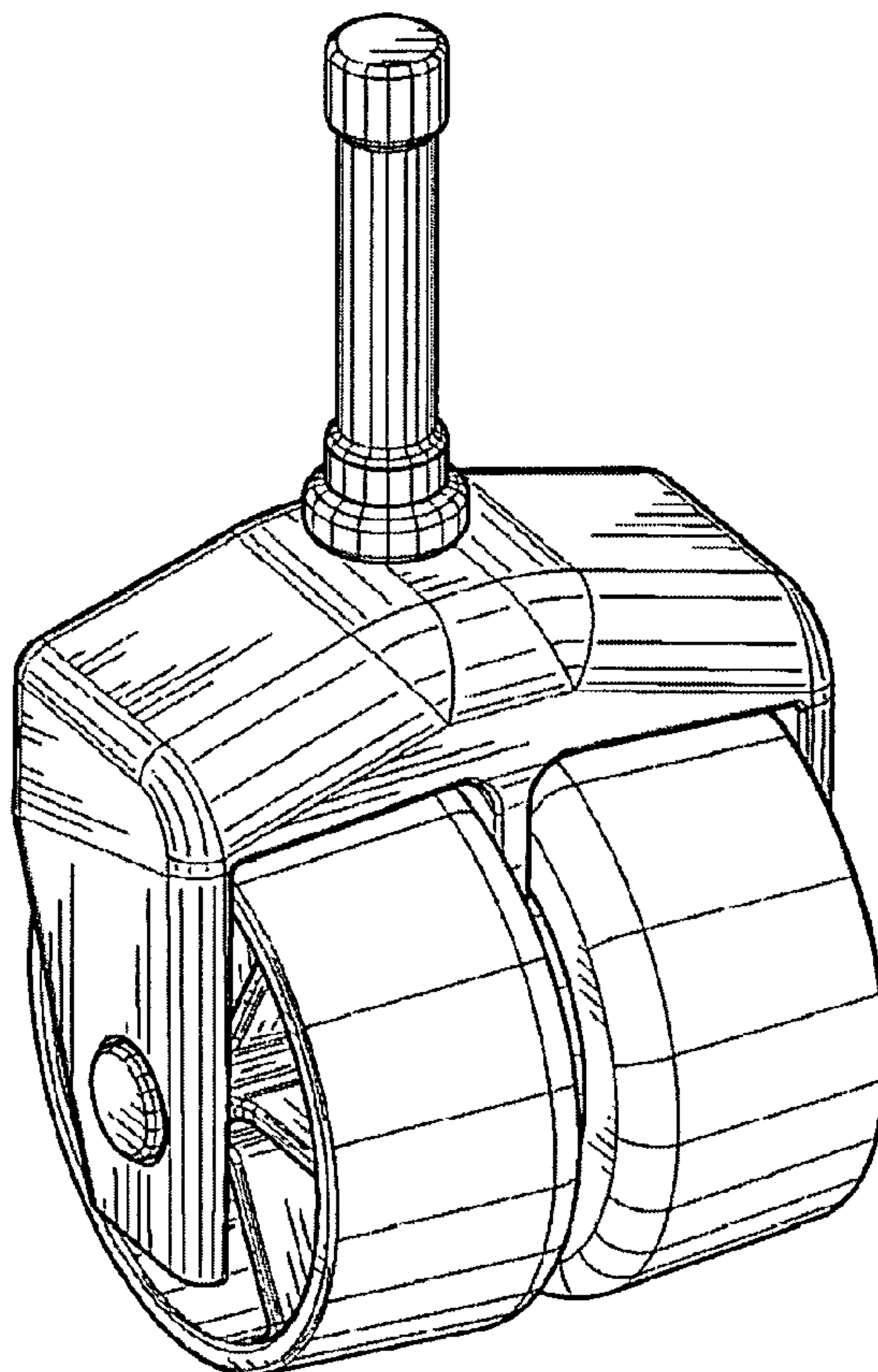
FIG. 13 is a top plan view thereof; and,

FIG. 14 is a bottom plan view thereof.

Primary Examiner—Susan Bennett Hattan

(74) *Attorney, Agent, or Firm*—Rudoler & DeRosa LLC

1 Claim, 8 Drawing Sheets



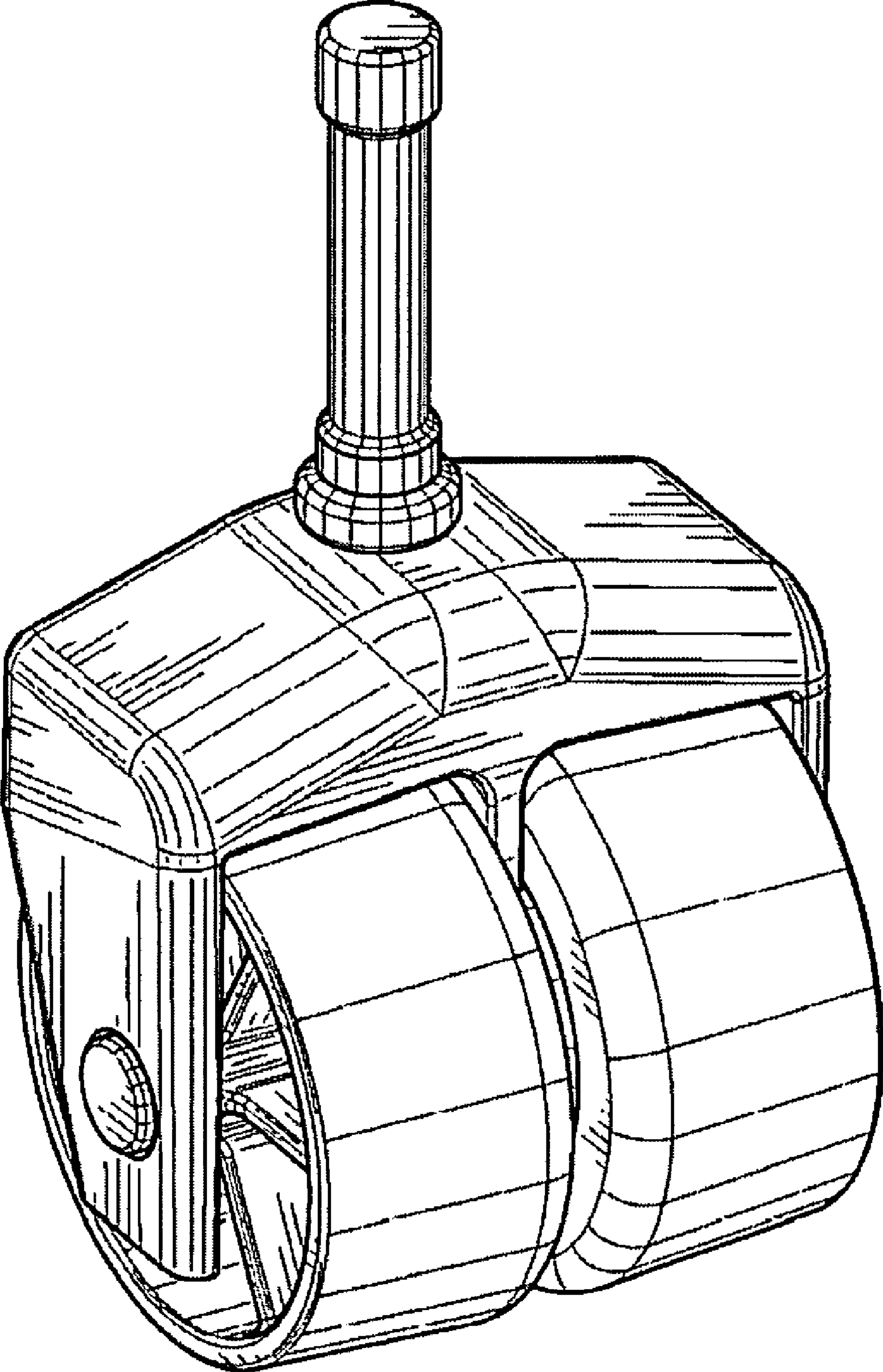


FIG. 1

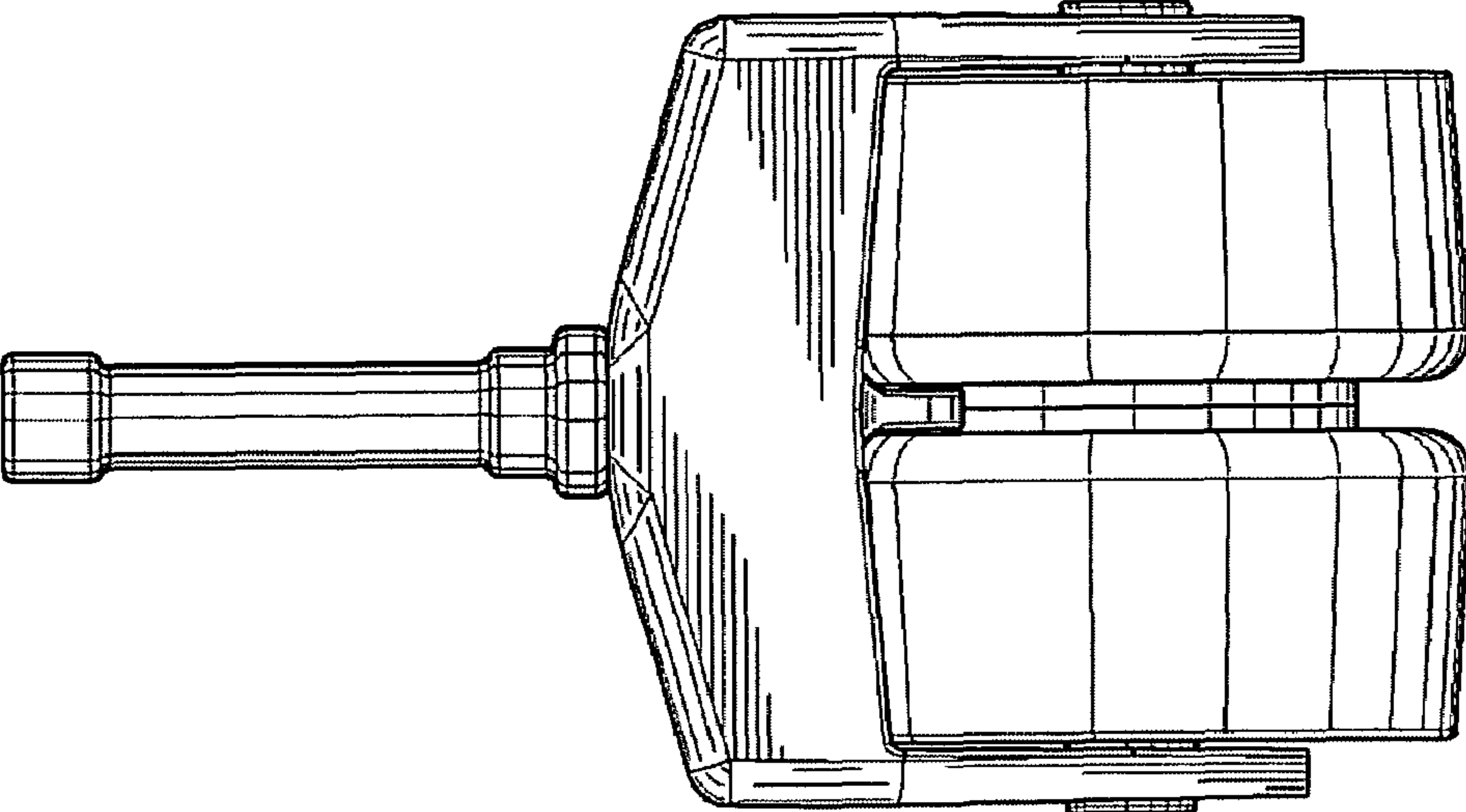


FIG. 2

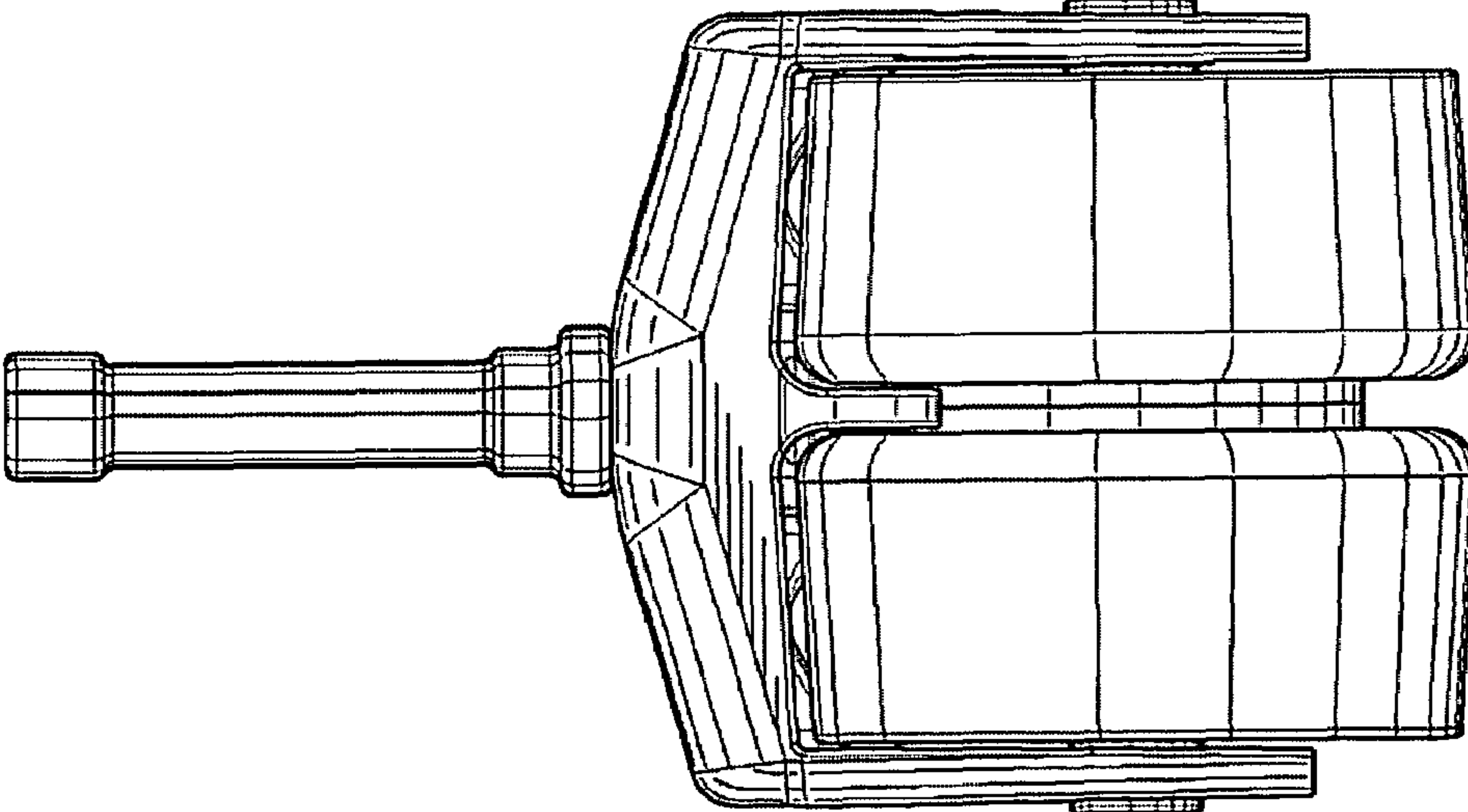


FIG. 3

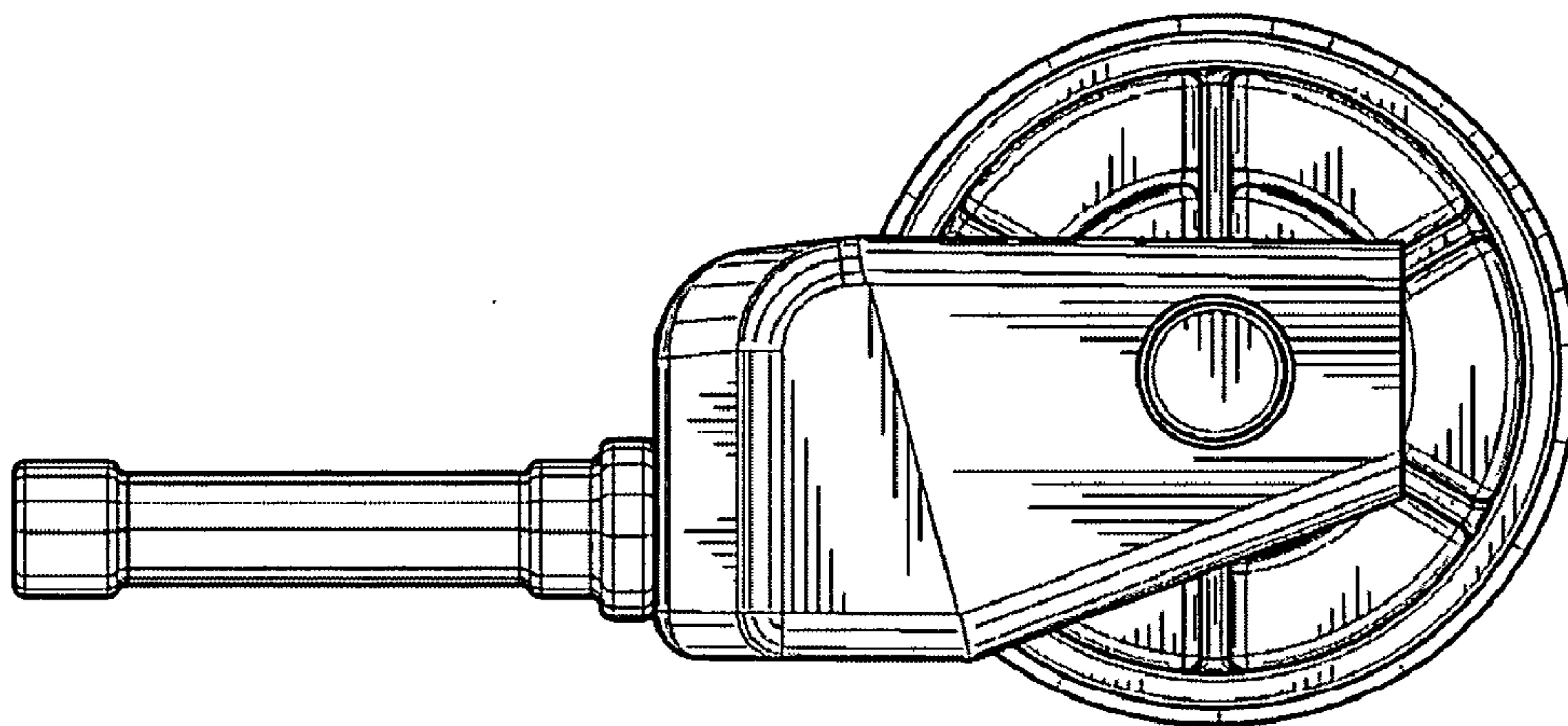


FIG. 5

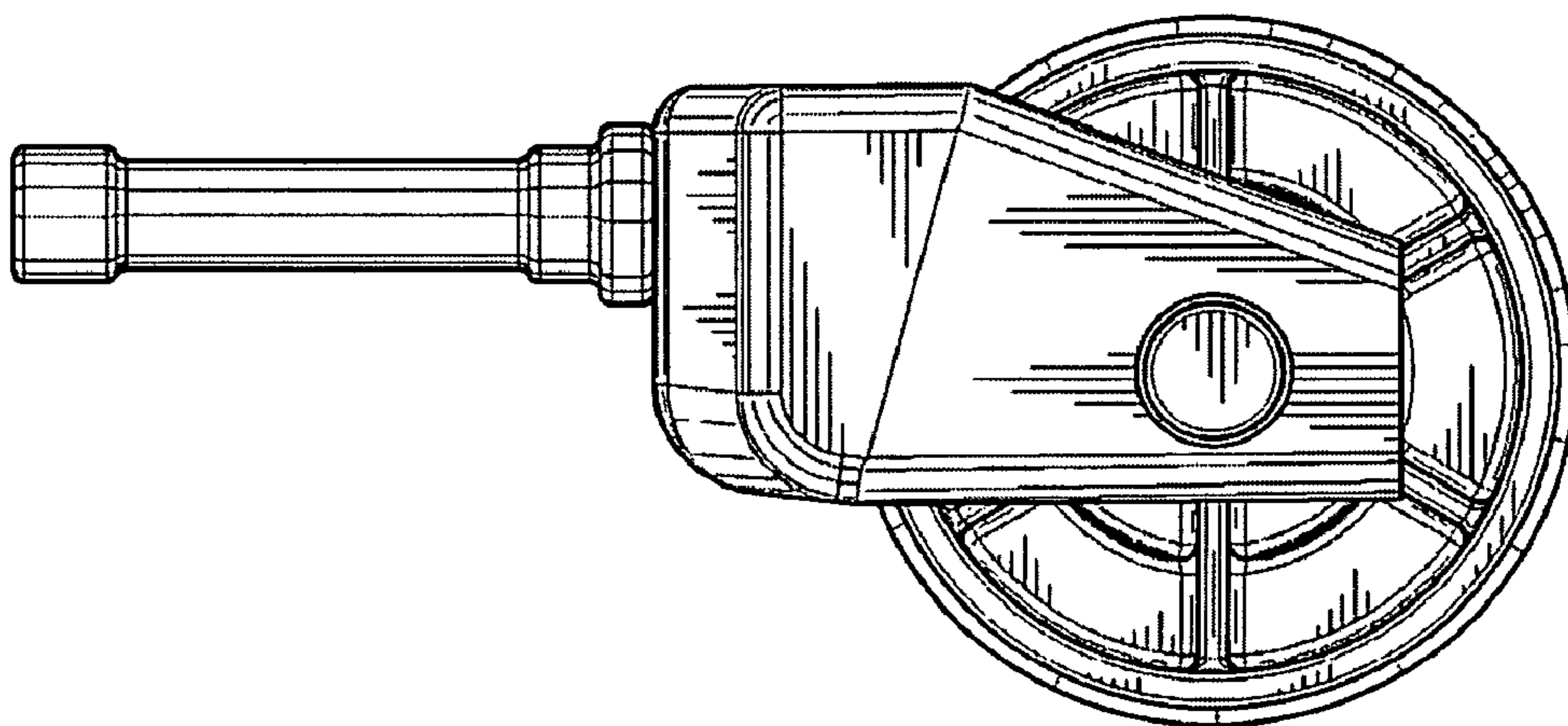


FIG. 4

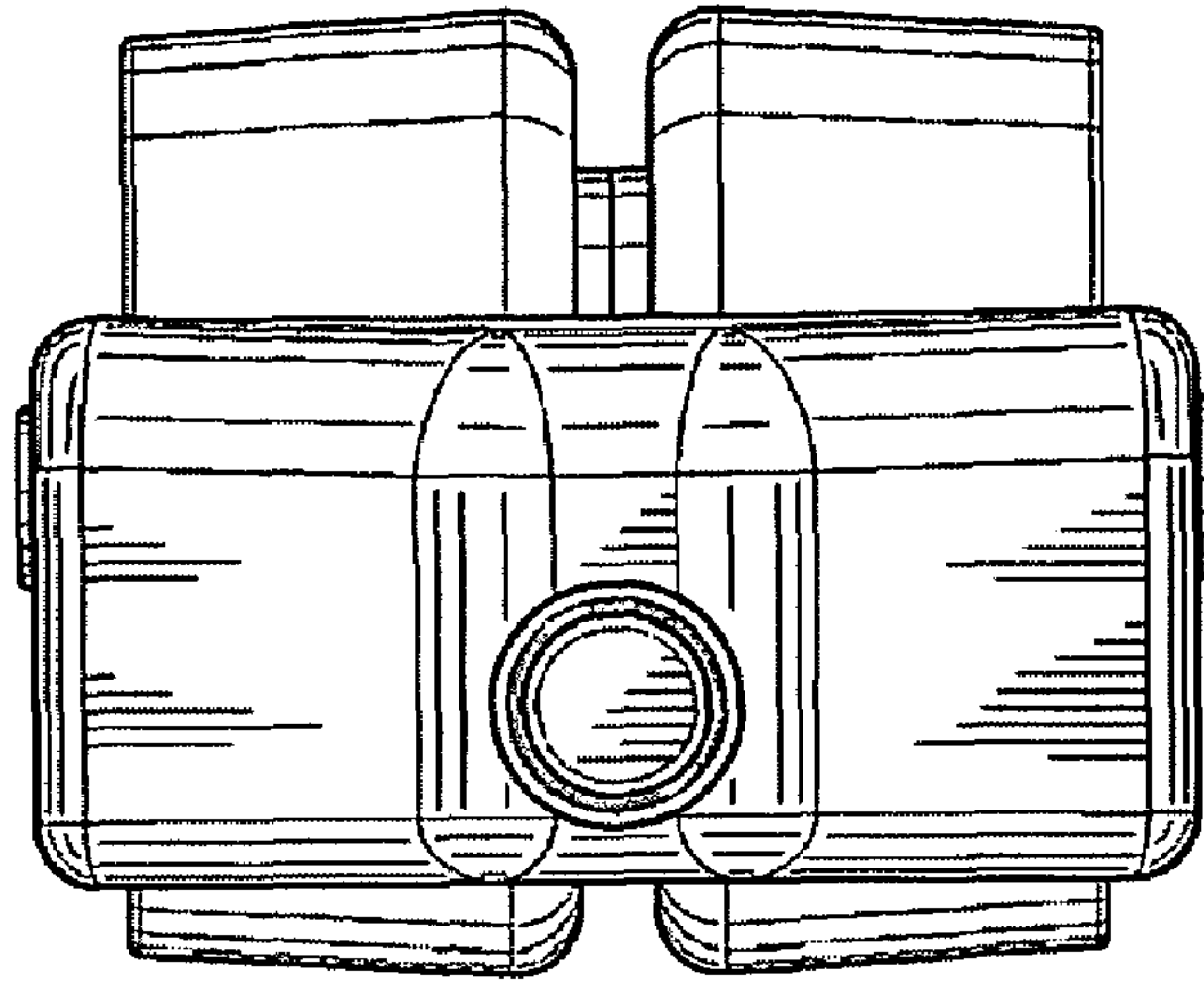


FIG. 6

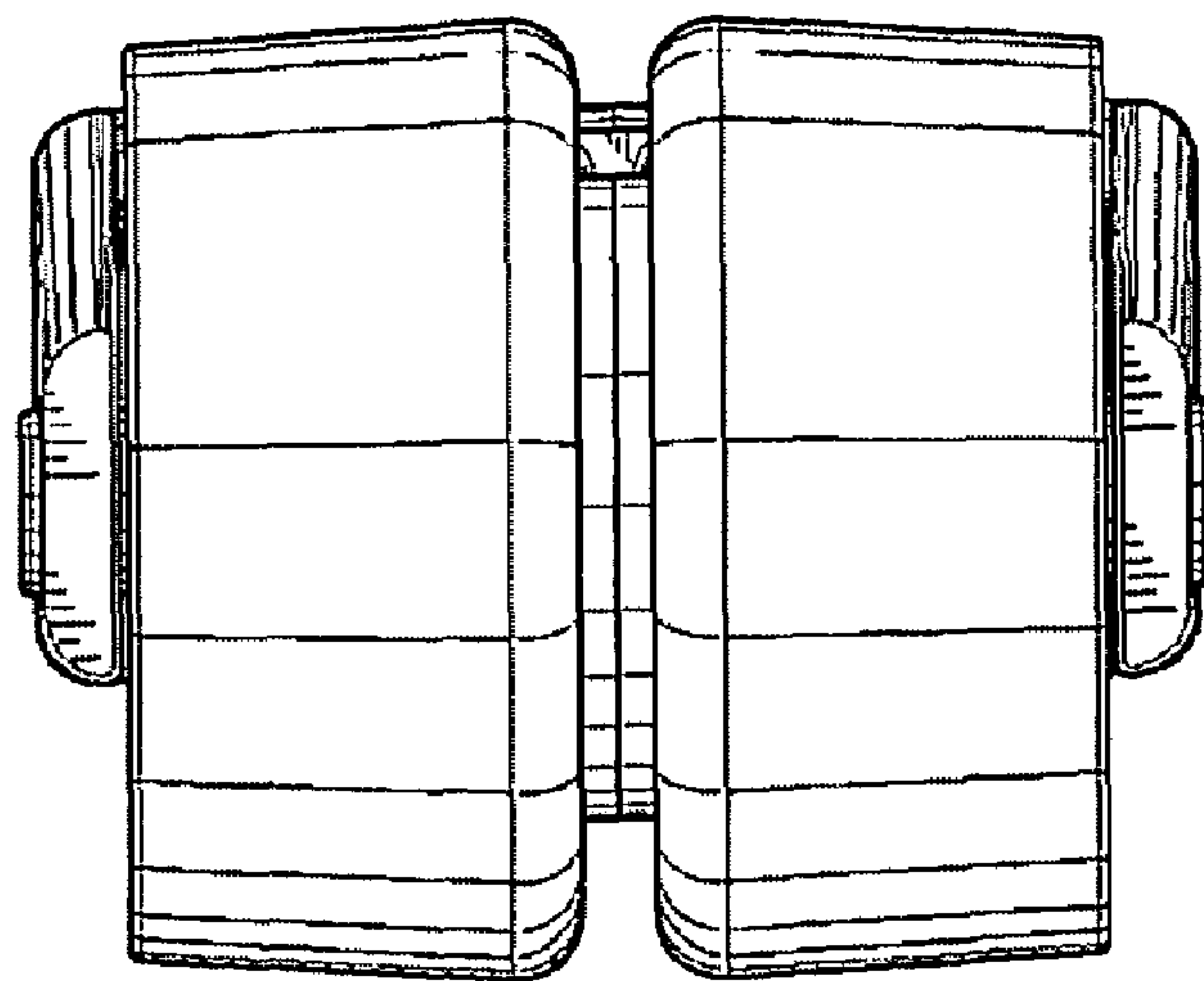


FIG. 7

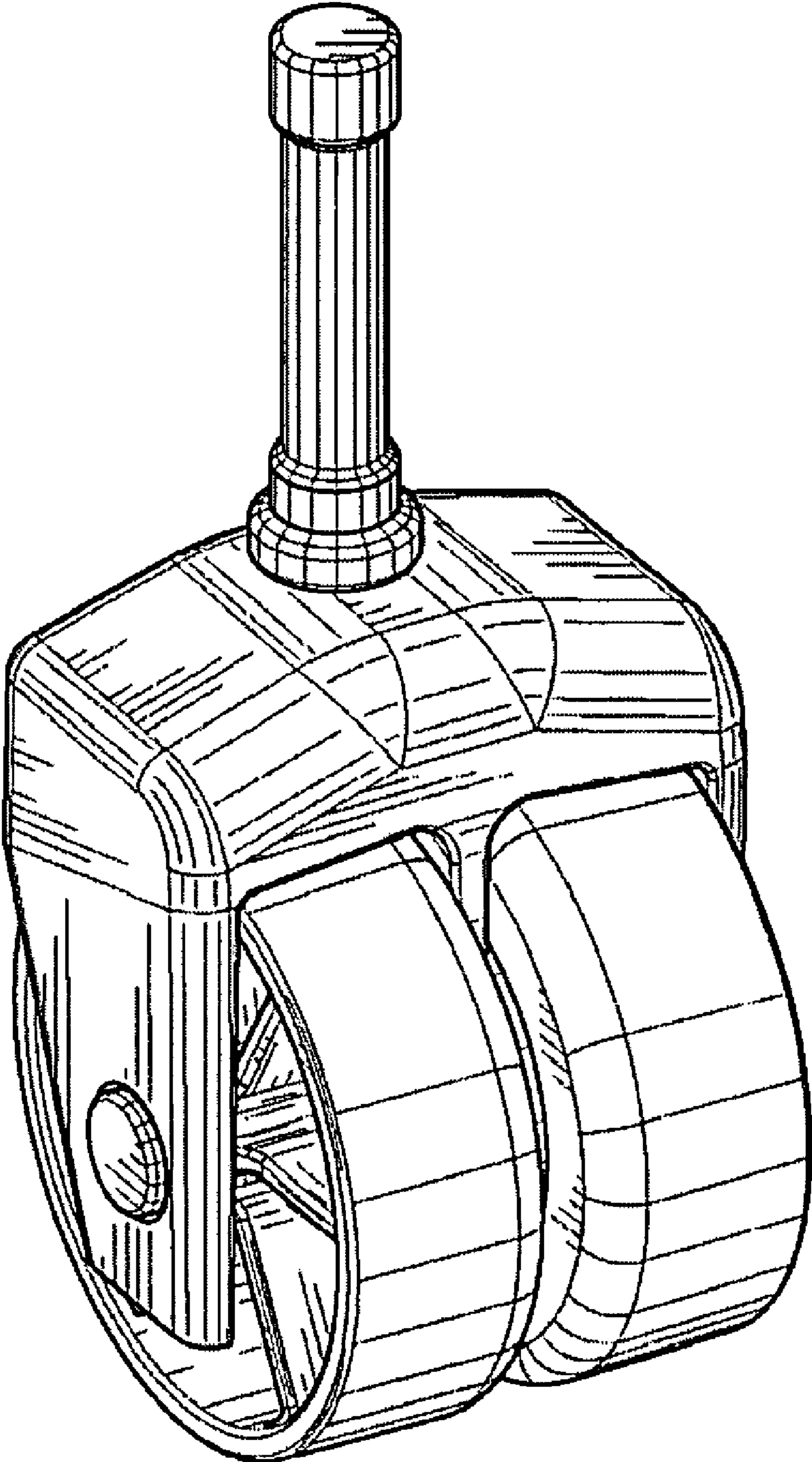


FIG. 8

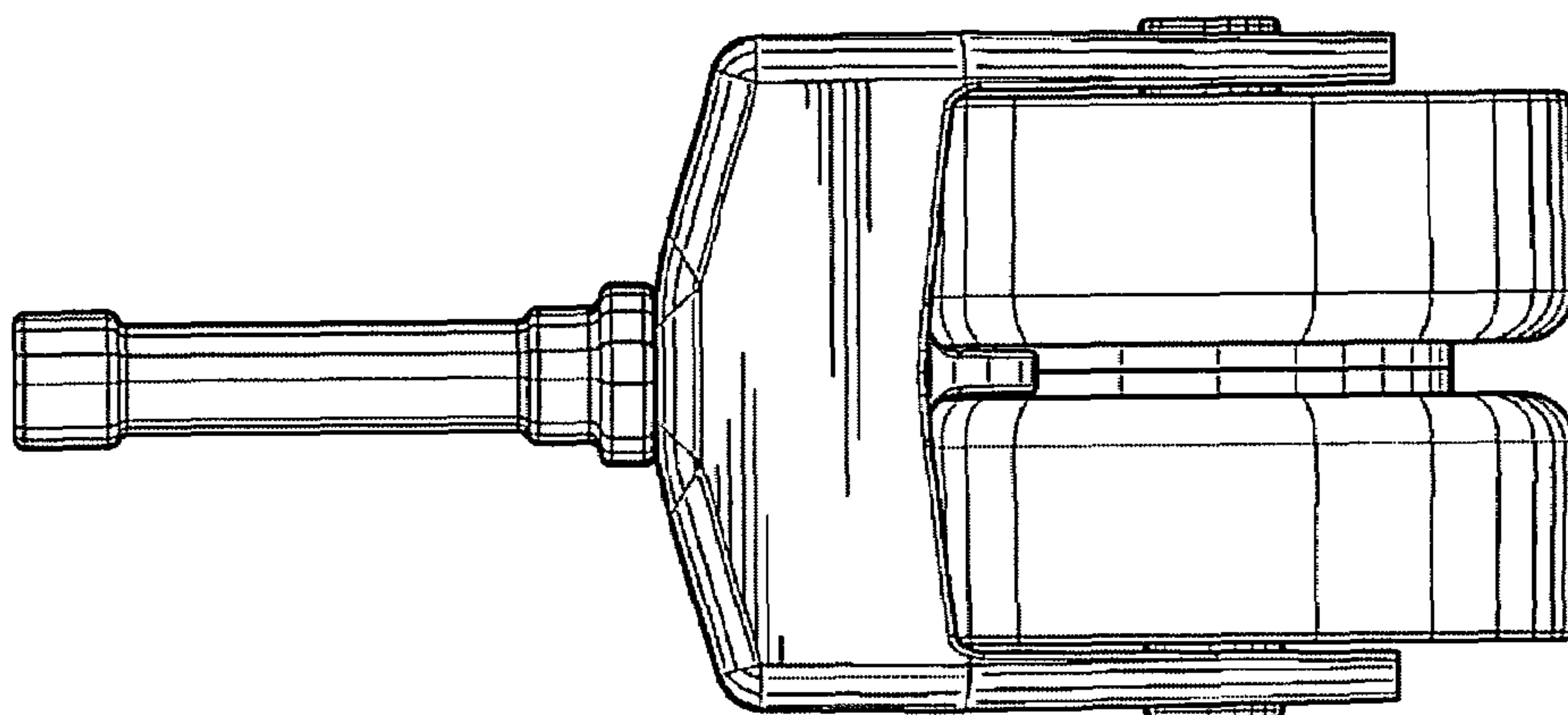


FIG. 10

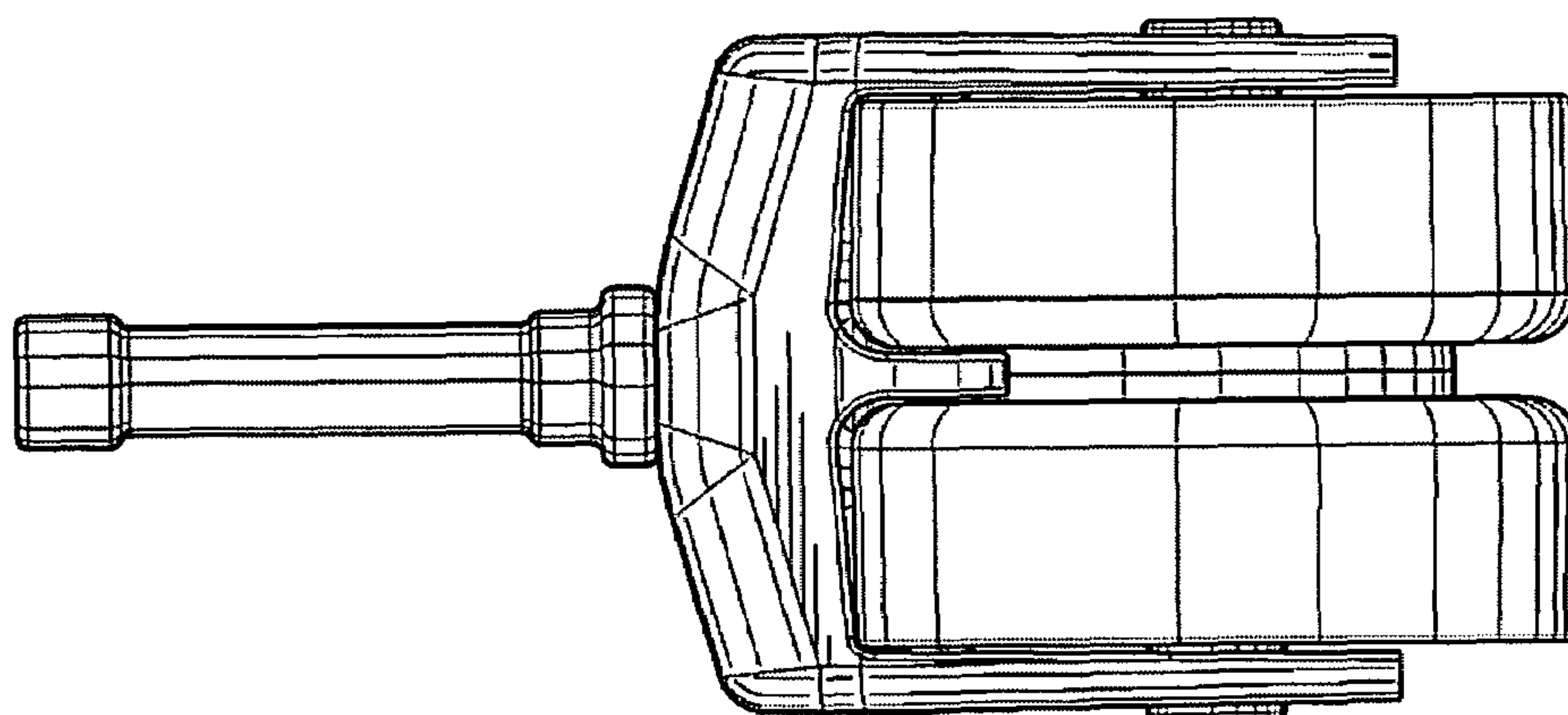


FIG. 9

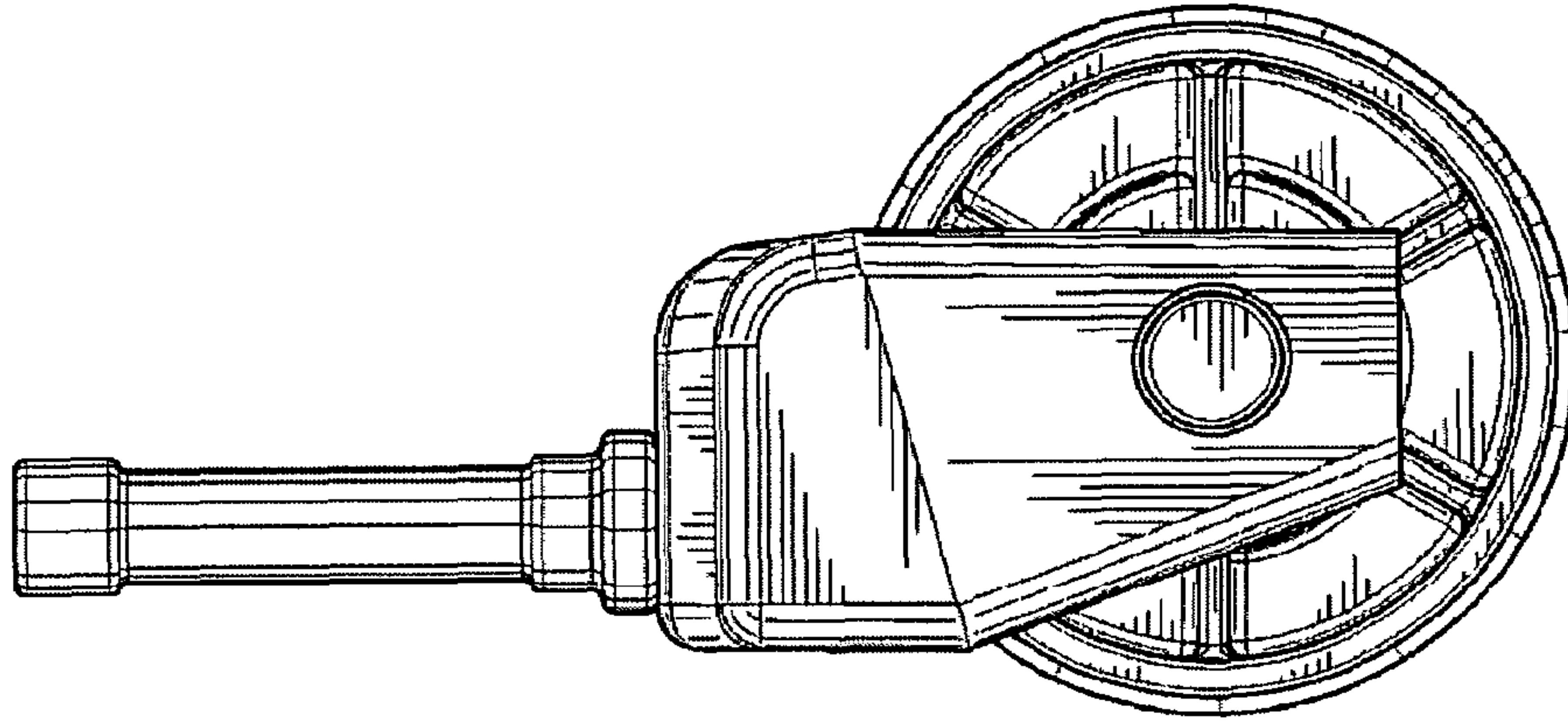


FIG. 12

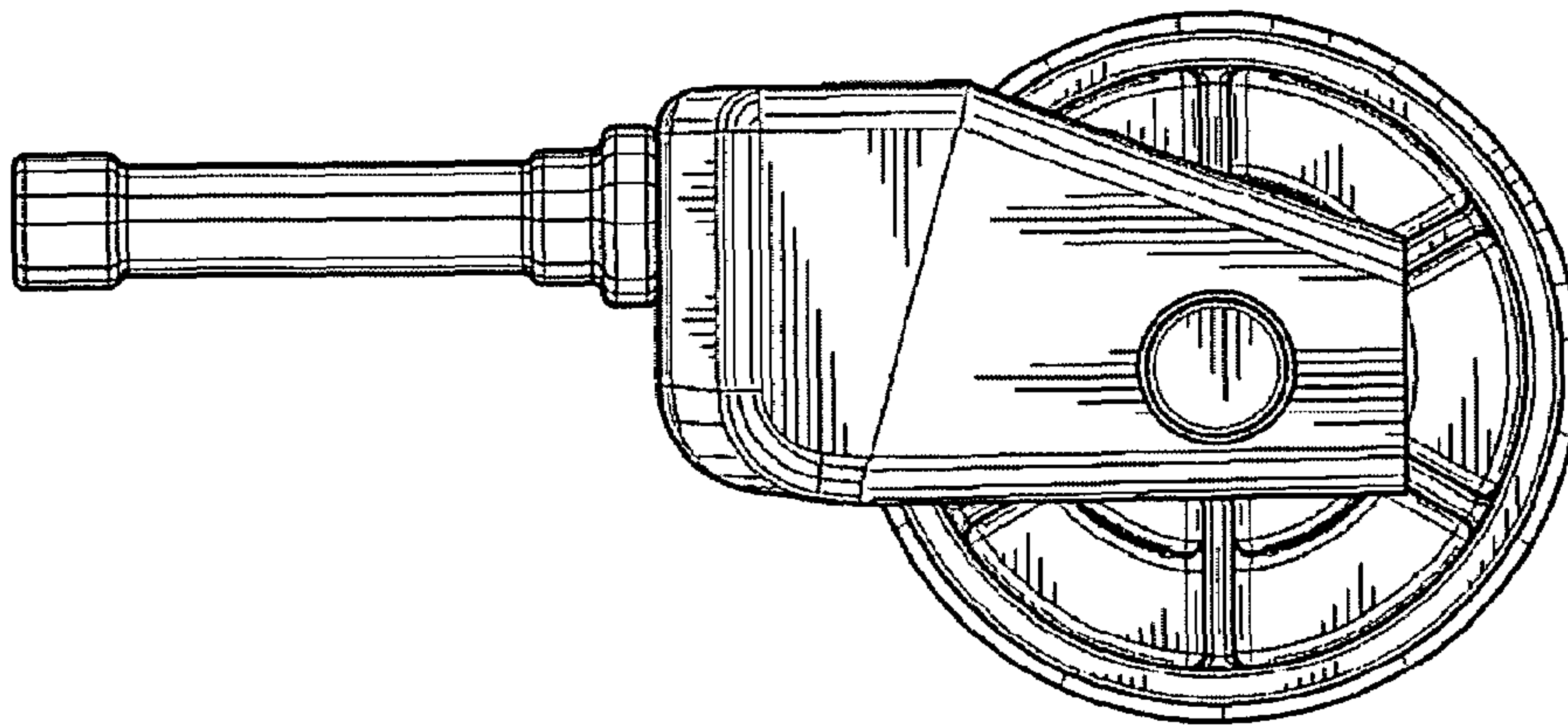


FIG. 11

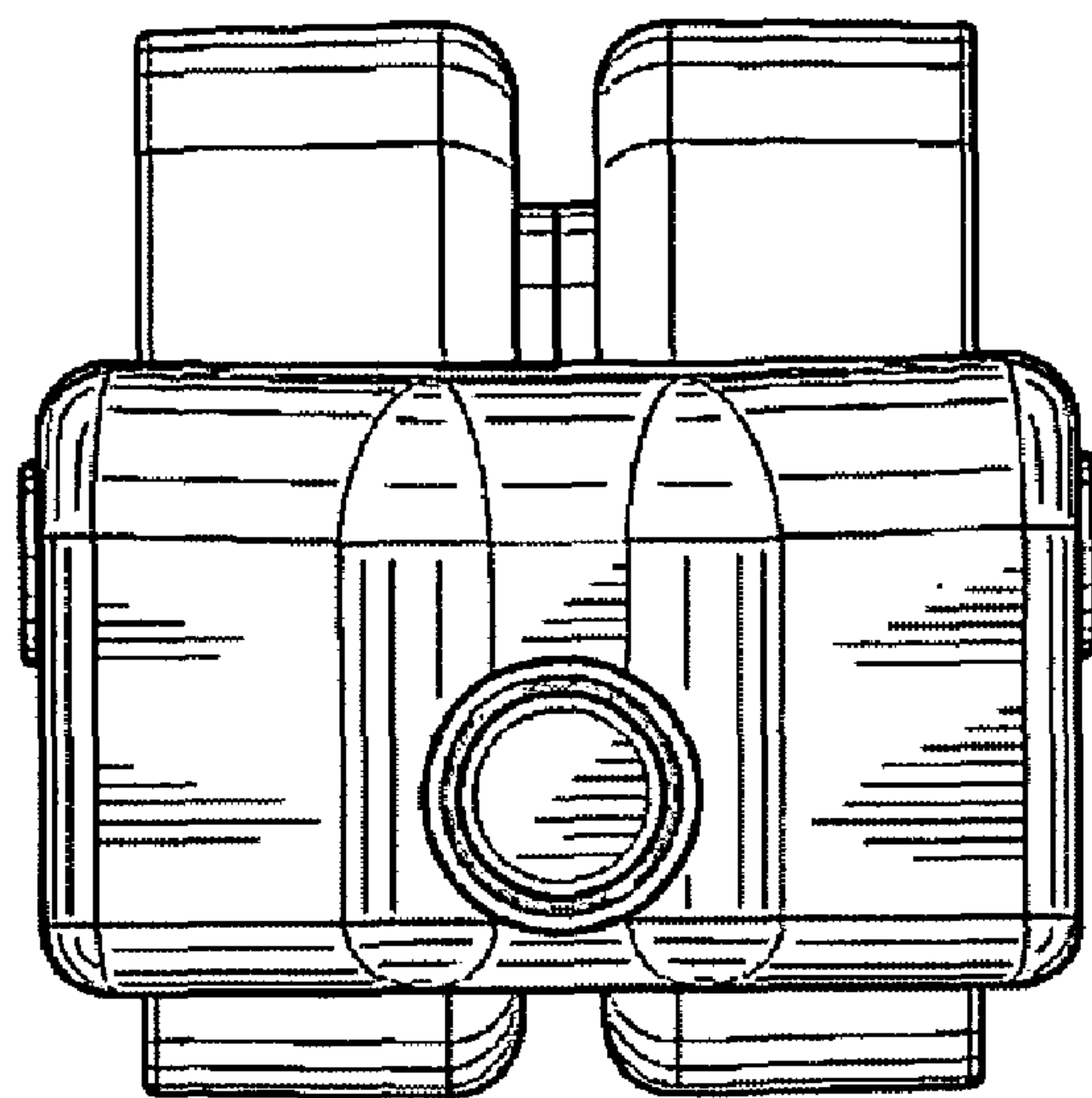


FIG. 13

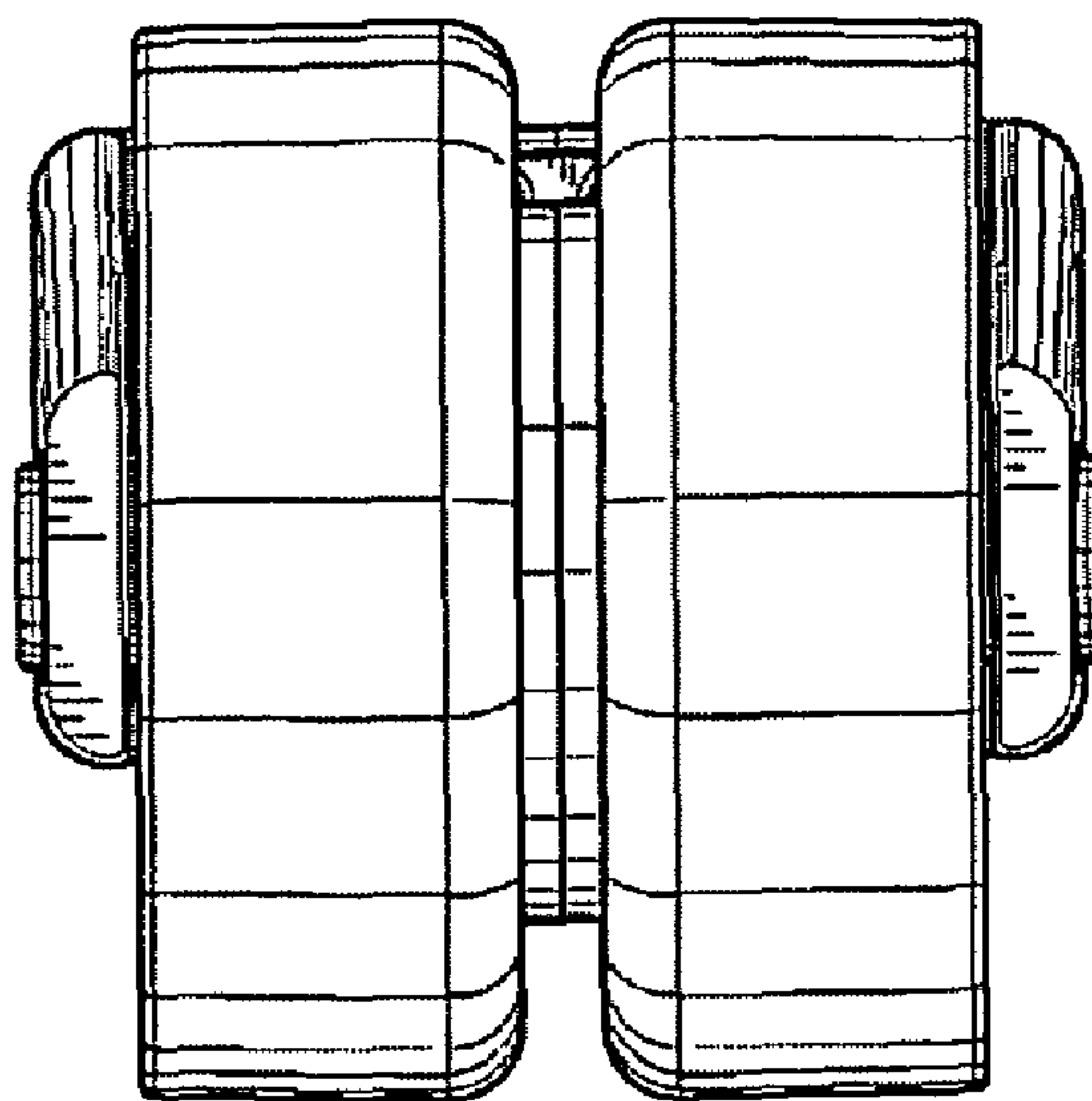


FIG. 14