



US00D592487S

(12) **United States Design Patent**
Tedesco et al.

(10) **Patent No.:** **US D592,487 S**

(45) **Date of Patent:** **** May 19, 2009**

(54) **GRID TEE FACE SLEEVE**

(75) Inventors: **Lee M. Tedesco**, Shorewood, IL (US);
Paul D. LaLonde, Avon, OH (US); **Ilya Lerner**, Wheeling, IL (US)

(73) Assignee: **USG Interiors, Inc.**, Chicago, IL (US)

(**) Term: **14 Years**

(21) Appl. No.: **29/322,767**

(22) Filed: **Aug. 12, 2008**

(51) **LOC (9) Cl.** **08-05**

(52) **U.S. Cl.** **D8/349**

(58) **Field of Classification Search** D8/349,
D8/354, 377; D25/119, 122; 248/200, 300;
52/712, 715

See application file for complete search history.

(56) **References Cited**

U.S. PATENT DOCUMENTS

D215,697 S	*	10/1969	Toder	D8/377
D419,858 S	*	2/2000	Bosgoed	D8/377
D488,055 S	*	4/2004	Ter Braak	D8/377

* cited by examiner

Primary Examiner—Holly H Baynham

(74) *Attorney, Agent, or Firm*—Pearne & Gordon LLP

(57) **CLAIM**

The ornamental design of a grid tee face sleeve, as shown and described.

DESCRIPTION

FIG. 1 is an isometric view of a grid tee face sleeve showing our new design in a first embodiment;

FIG. 2 is a top plan view thereof;

FIG. 3 is a side view thereof;

FIG. 4 is an end view thereof;

FIG. 5 is a bottom plan view thereof;

FIG. 6 is an isometric view of the sleeve in a second embodiment;

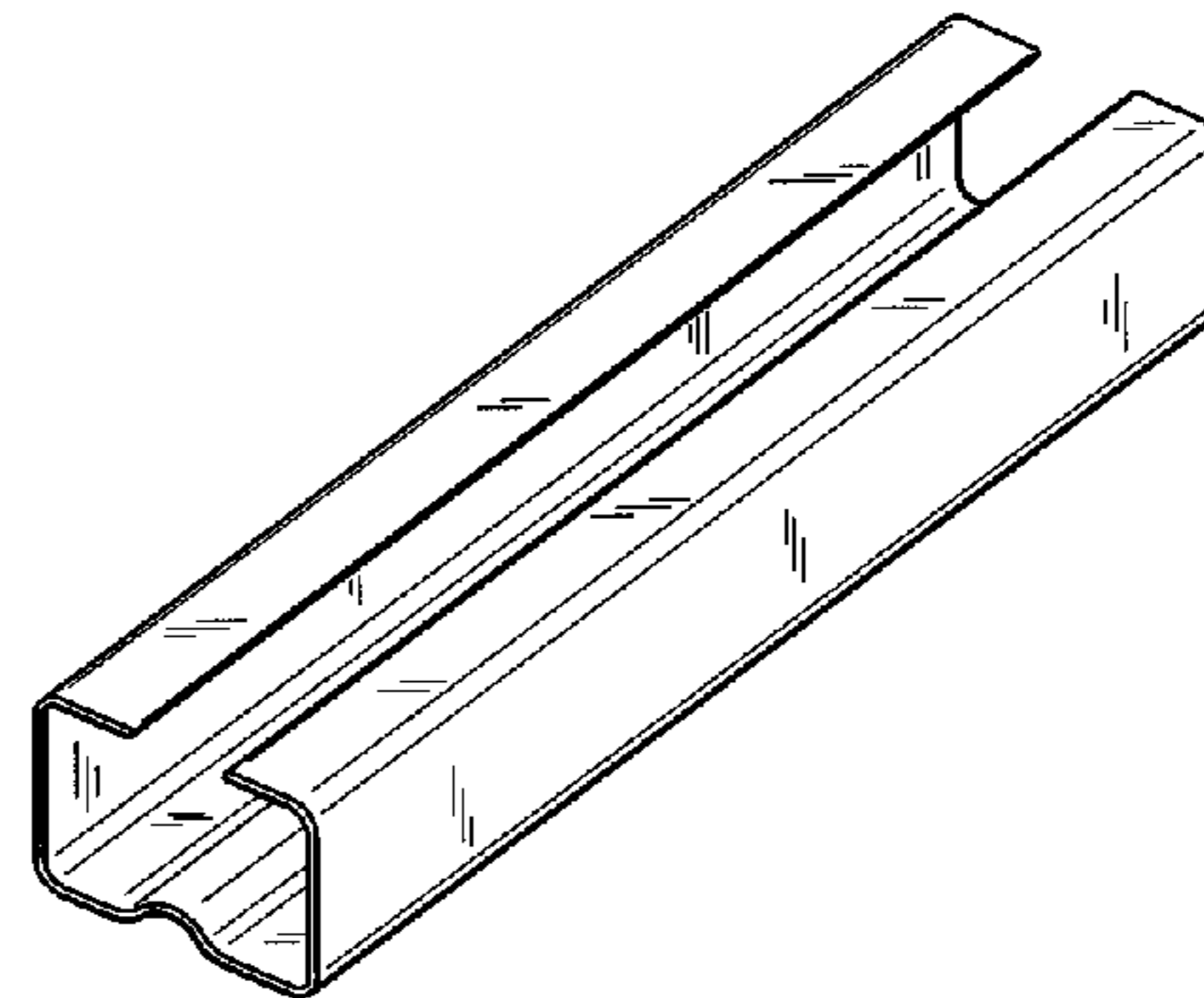
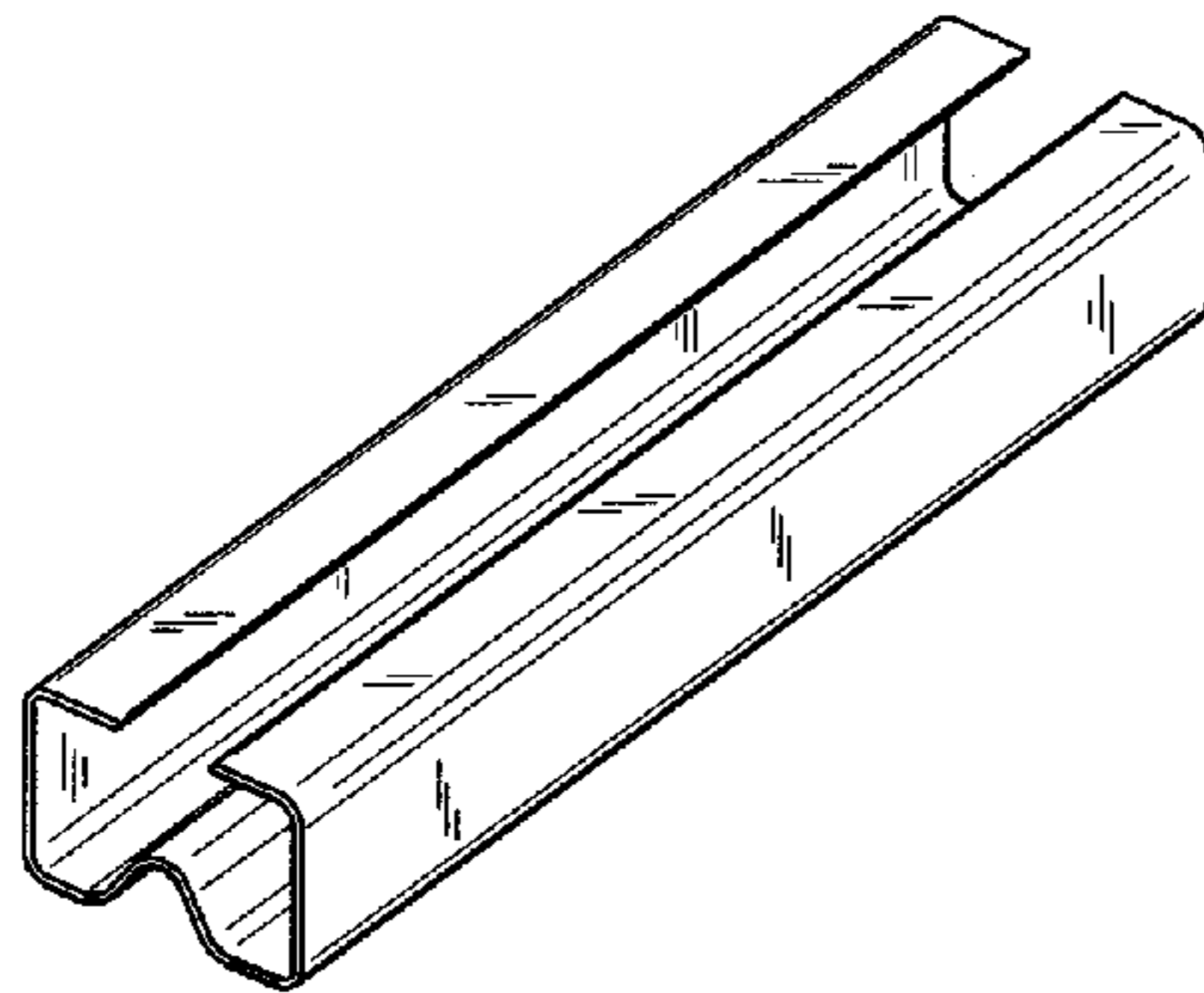
FIG. 7 is a top plan view of the sleeve of FIG. 6;

FIG. 8 is a side view of the sleeve of FIG. 6;

FIG. 9 is an end view of the sleeve of FIG. 6; and,

FIG. 10 is a bottom view of the sleeve of FIG. 6.

1 Claim, 2 Drawing Sheets



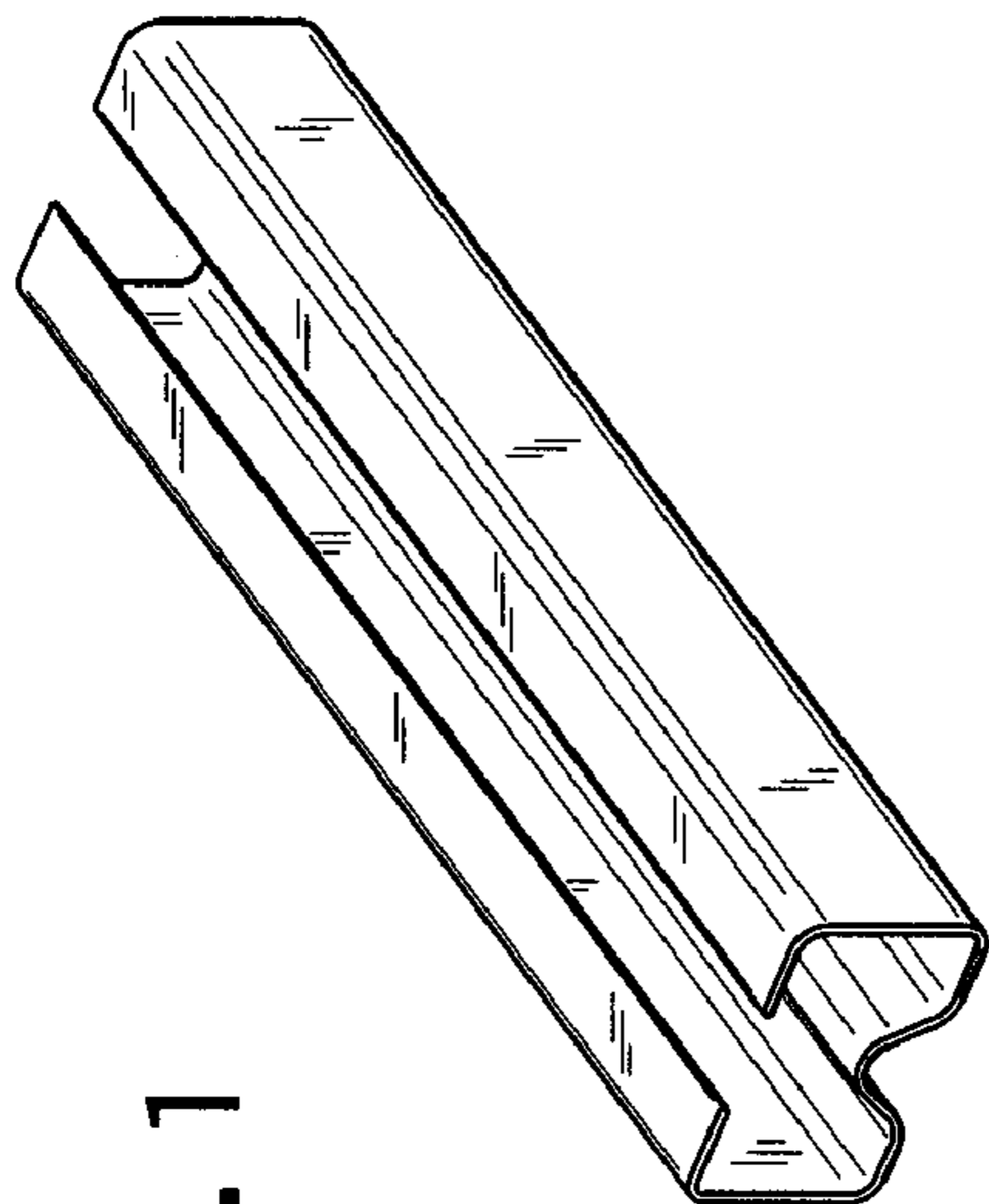


FIG. 1

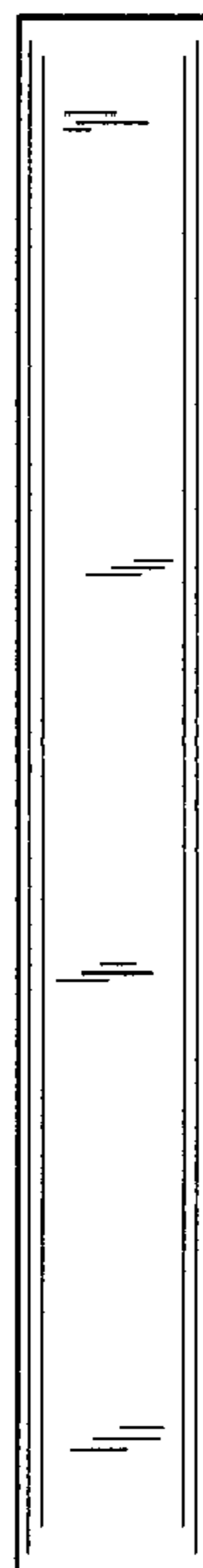


FIG. 3

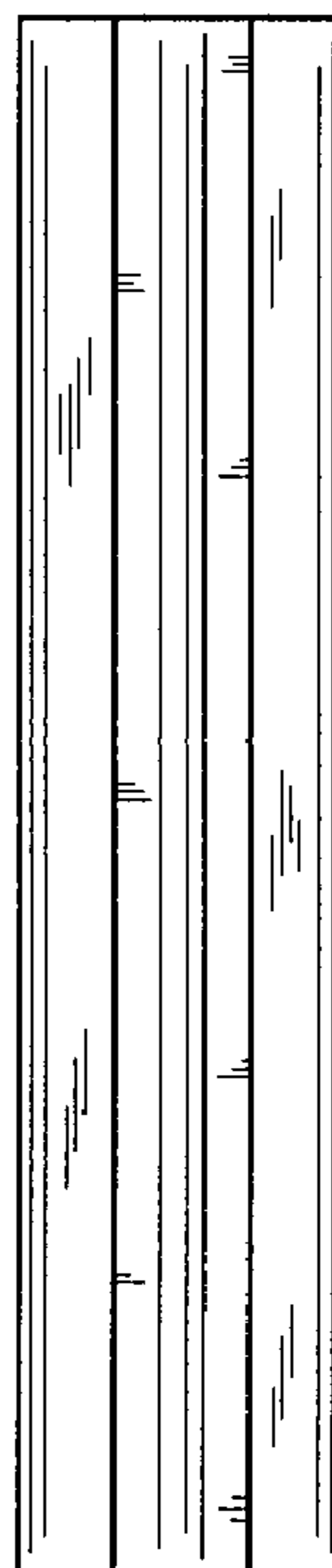


FIG. 2

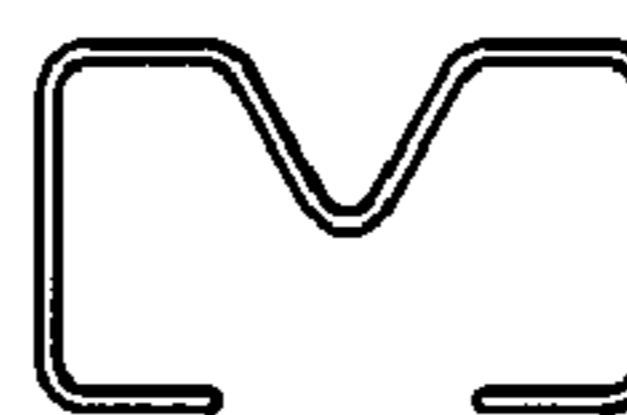


FIG. 4

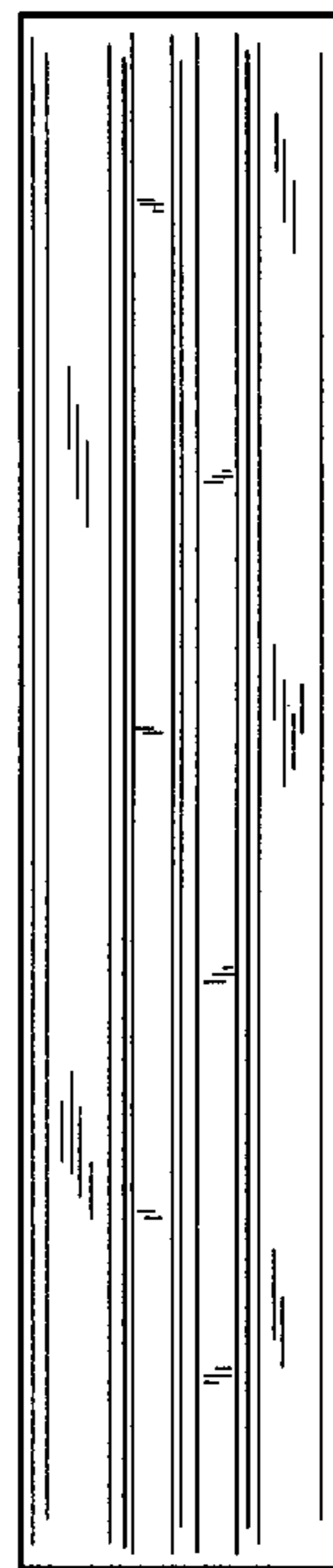


FIG. 5

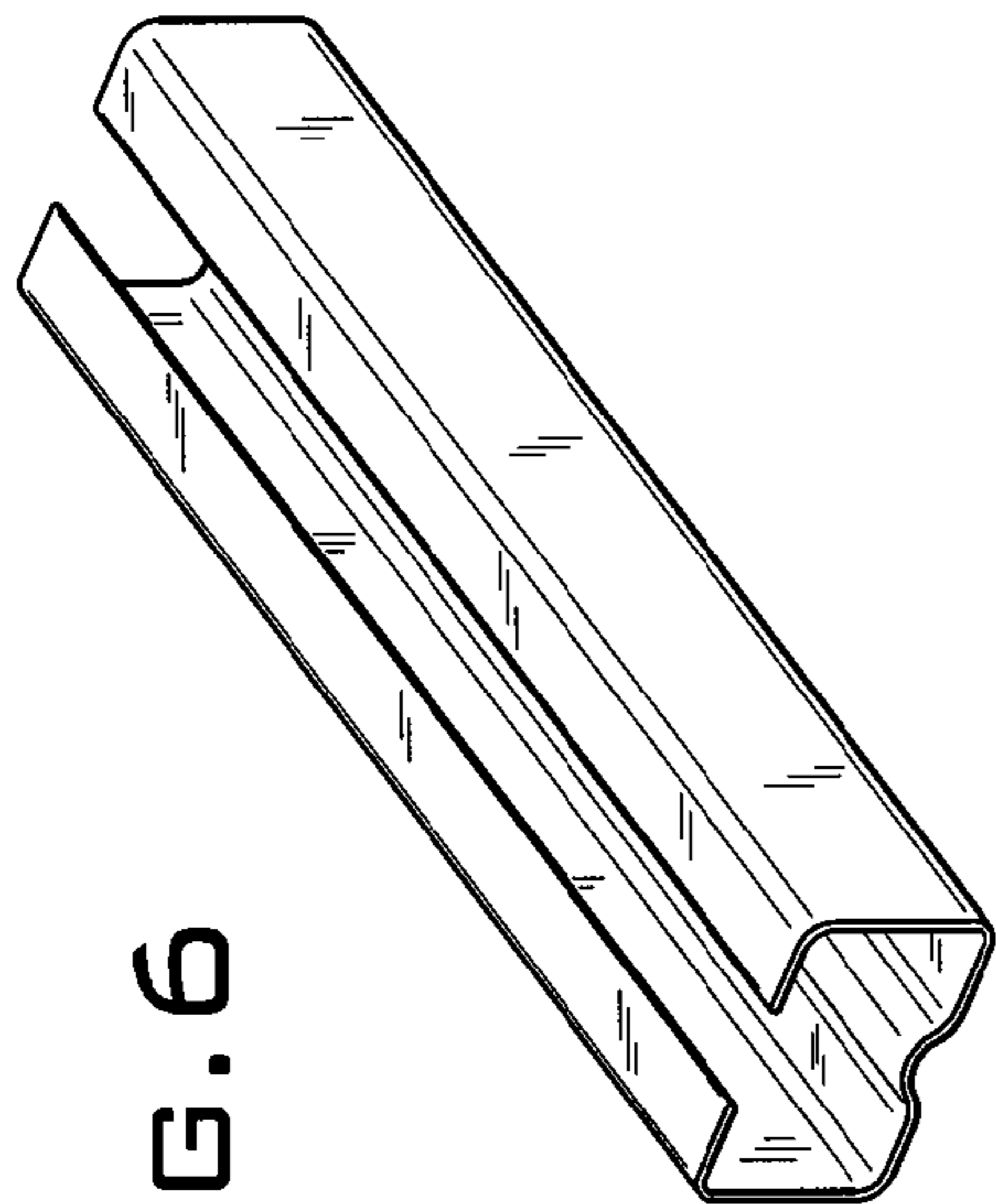


FIG. 6

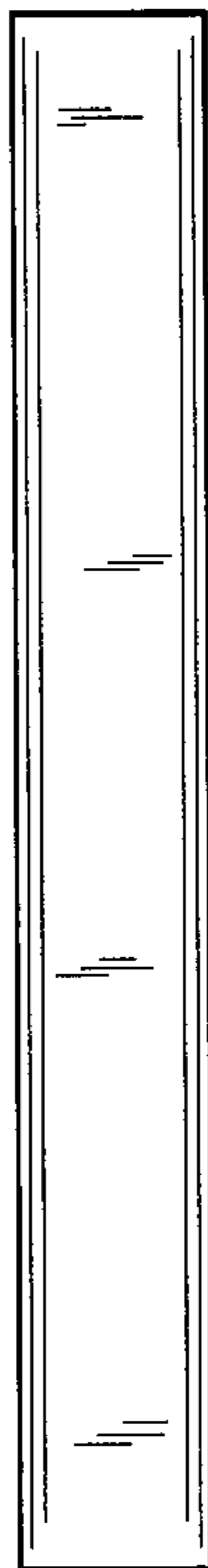


FIG. 8

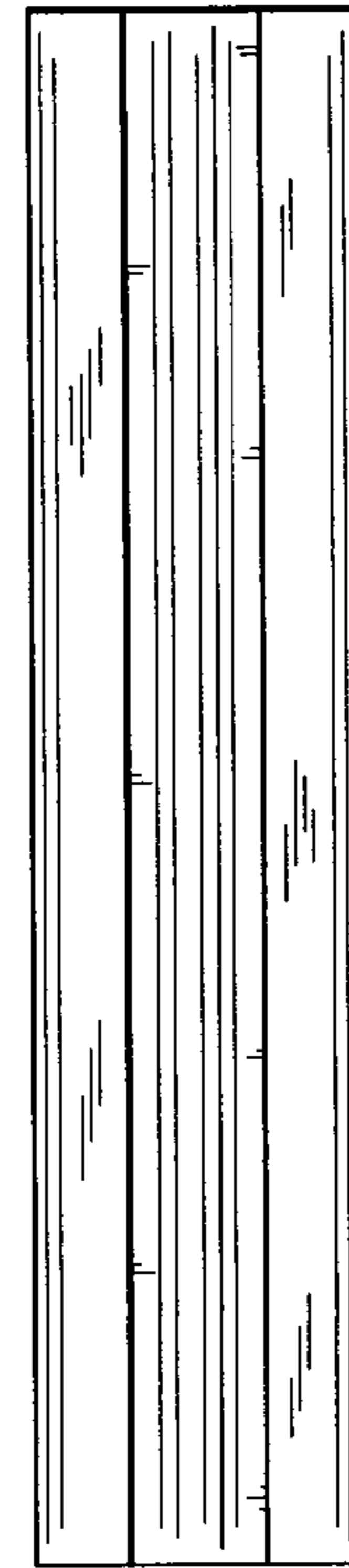


FIG. 7

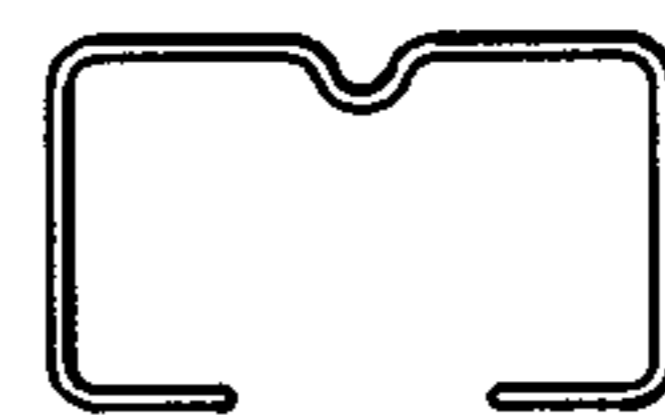


FIG. 9

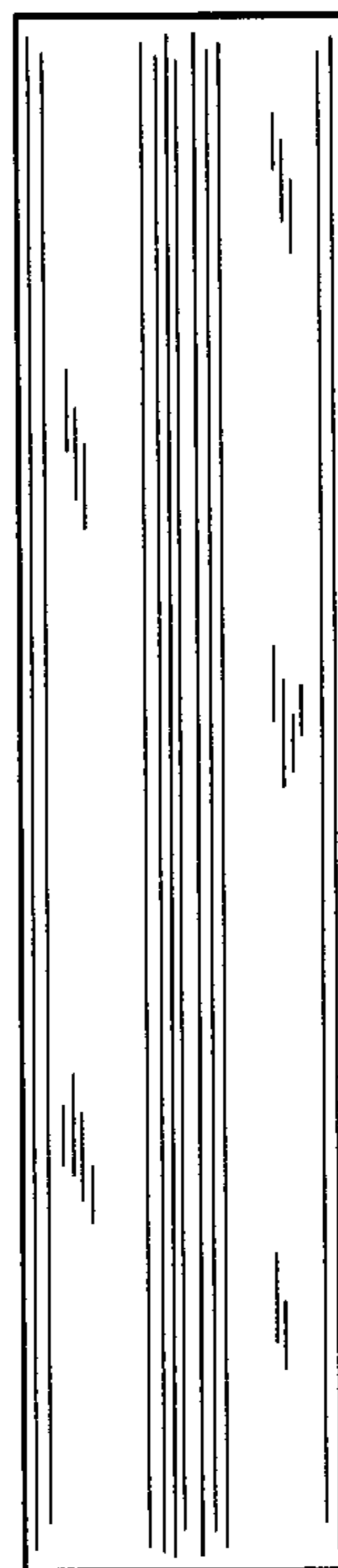


FIG. 10