



US00D592486S

(12) **United States Design Patent**  
**Marko**

(10) **Patent No.:** **US D592,486 S**

(45) **Date of Patent:** **\*\* May 19, 2009**

(54) **DOOR LATCH HANDLE**

(75) Inventor: **Neil L. Marko**, Pioneer, OH (US)

(73) Assignee: **Universal Industrial Products Inc.**,  
Pioneer, OH (US)

(\*\*) Term: **14 Years**

(21) Appl. No.: **29/329,148**

(22) Filed: **Dec. 10, 2008**

6,035,492	A *	3/2000	Warshaviak .....	292/336.3
D423,902	S *	5/2000	Libby et al. ....	D8/301
6,367,124	B1 *	4/2002	Bella et al. ....	292/336.3
6,733,050	B1 *	5/2004	Yao .....	292/169
D511,670	S *	11/2005	Chen .....	D8/301
D520,848	S *	5/2006	Metivier et al. ....	D8/301
D568,717	S *	5/2008	Longo et al. ....	D8/341

\* cited by examiner

*Primary Examiner*—Prabhakar Deshmukh

(74) *Attorney, Agent, or Firm*—Harness, Dickey & Pierce,  
P.L.C.

**Related U.S. Application Data**

(62) Division of application No. 29/265,445, filed on Aug.  
31, 2006, now Pat. No. Des. 584,594.

(51) **LOC (9) Cl.** ..... **08-07**

(52) **U.S. Cl.** ..... **D8/343; D8/301; D8/330**

(58) **Field of Classification Search** ..... D8/330,  
D8/331, 341, 300–302, 307, 308, DIG. 1,  
D8/DIG. 10; 292/336.3, 347, 355–357, 70,  
292/348, 358, 359; 70/51, 91, 141, 207  
See application file for complete search history.

(56) **References Cited**

**U.S. PATENT DOCUMENTS**

5,198,643	A *	3/1993	Miron et al. ....	235/382
D339,280	S *	9/1993	Bray et al. ....	D8/301
5,475,996	A *	12/1995	Chen .....	70/279.1
D365,976	S *	1/1996	Chiu .....	D8/330
5,987,945	A *	11/1999	Ruano Aramburu .....	70/277

(57) **CLAIM**

The ornamental design for a door latch handle, as shown and  
described.

**DESCRIPTION**

FIG. 1 is a perspective view of a door latch handle showing  
my new design;

FIG. 2 is a side elevational view thereof;

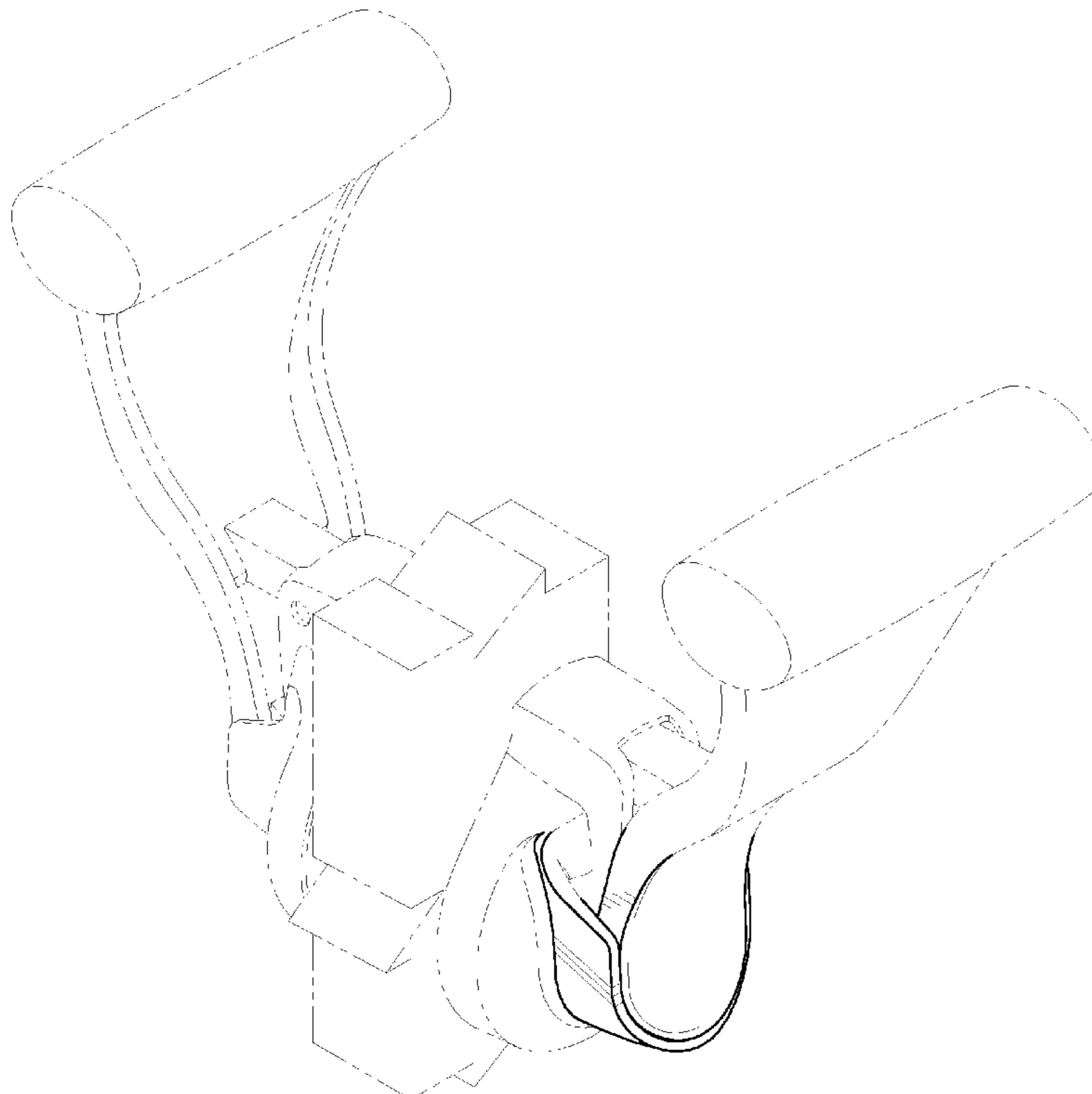
FIG. 3 is a top plan view thereof;

FIG. 4 is a bottom plan view thereof; and,

FIG. 5 is a front elevational view thereof.

The broken lines immediately adjacent to the claimed areas  
with surface shading in the views represent the boundaries of  
the design. The other broken lines in figures illustrate the  
portions of the design that form no part of the claim. None of  
the broken lines form any part of the claimed design.

**1 Claim, 3 Drawing Sheets**



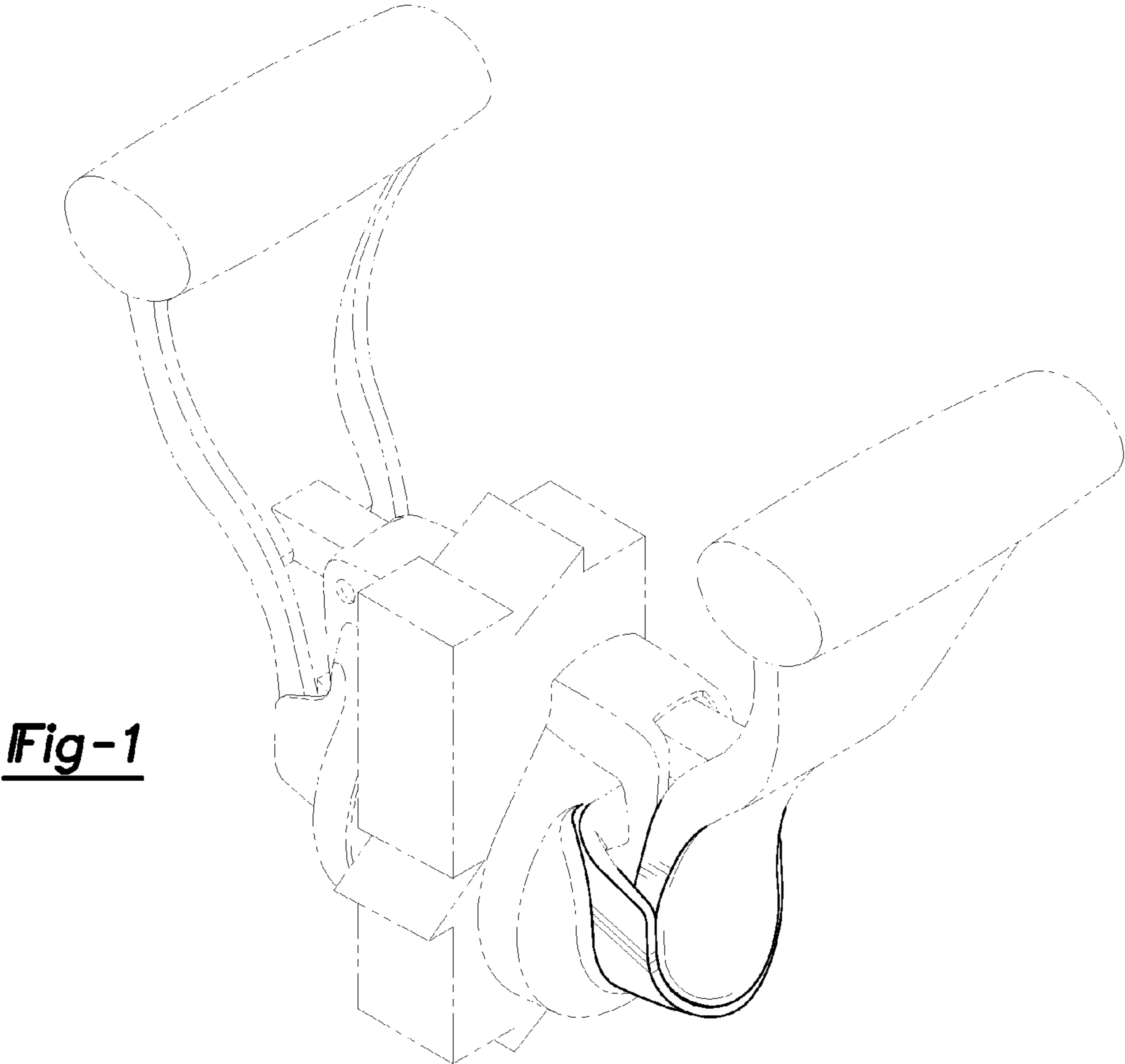


Fig-1

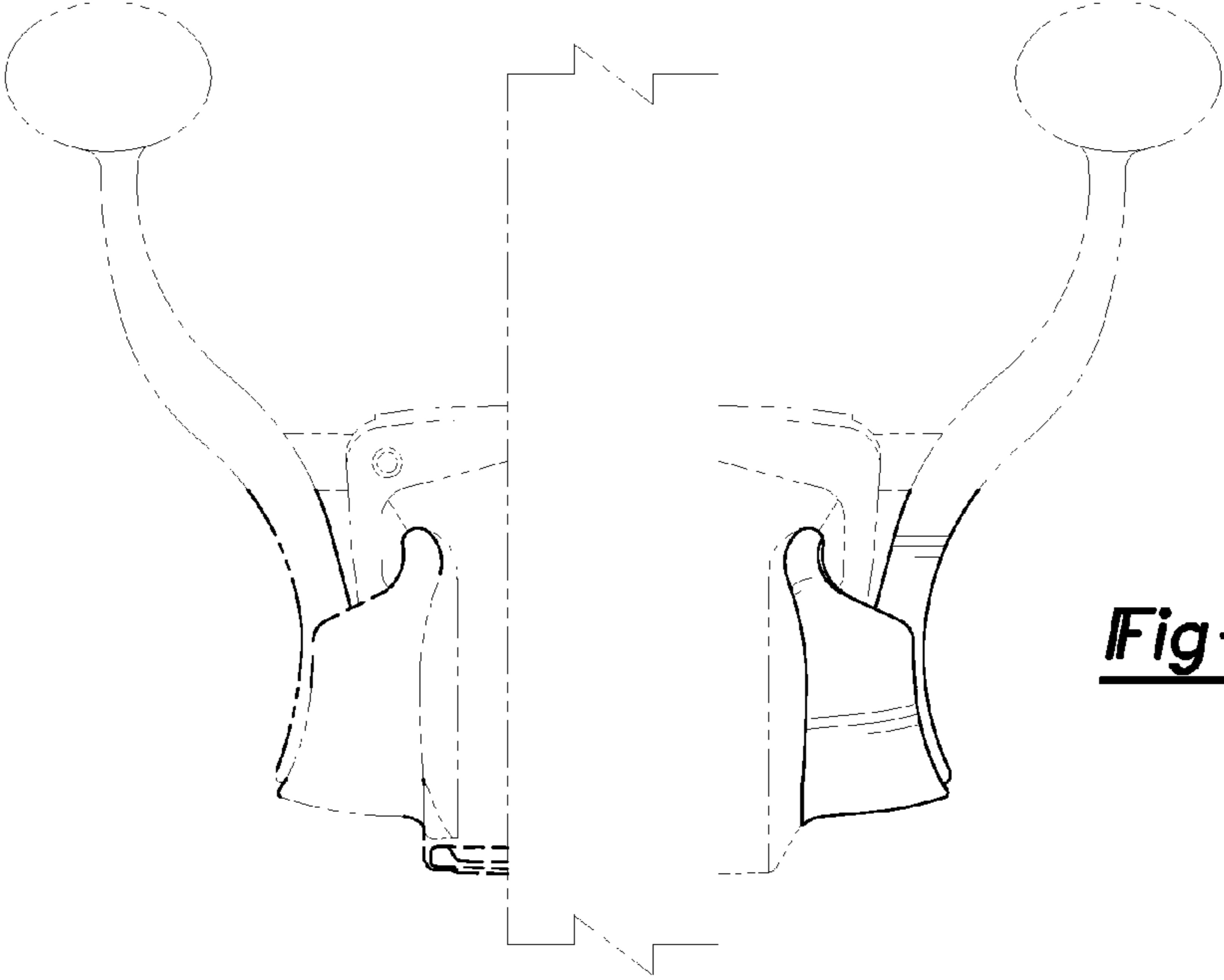


Fig-2

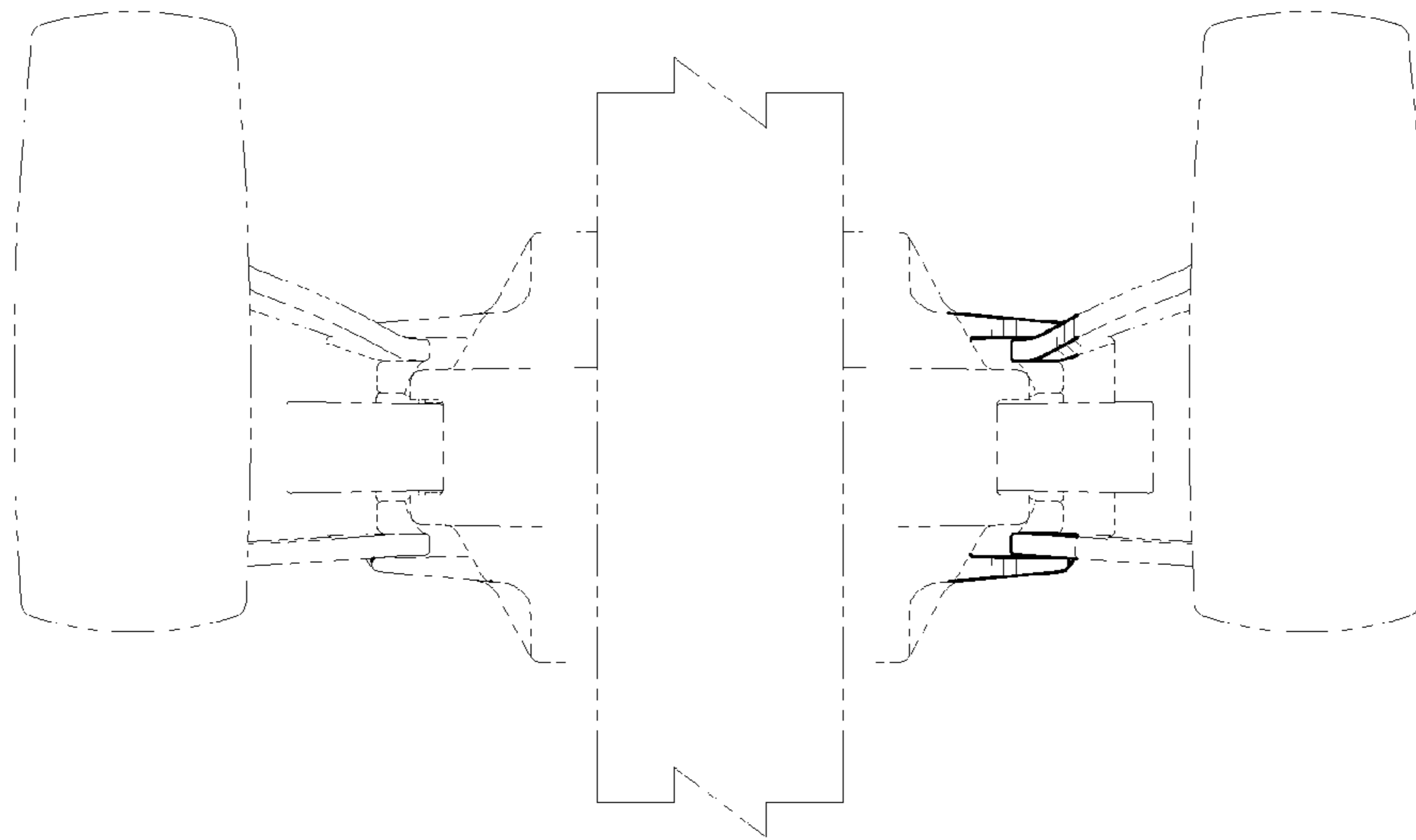


Fig-3

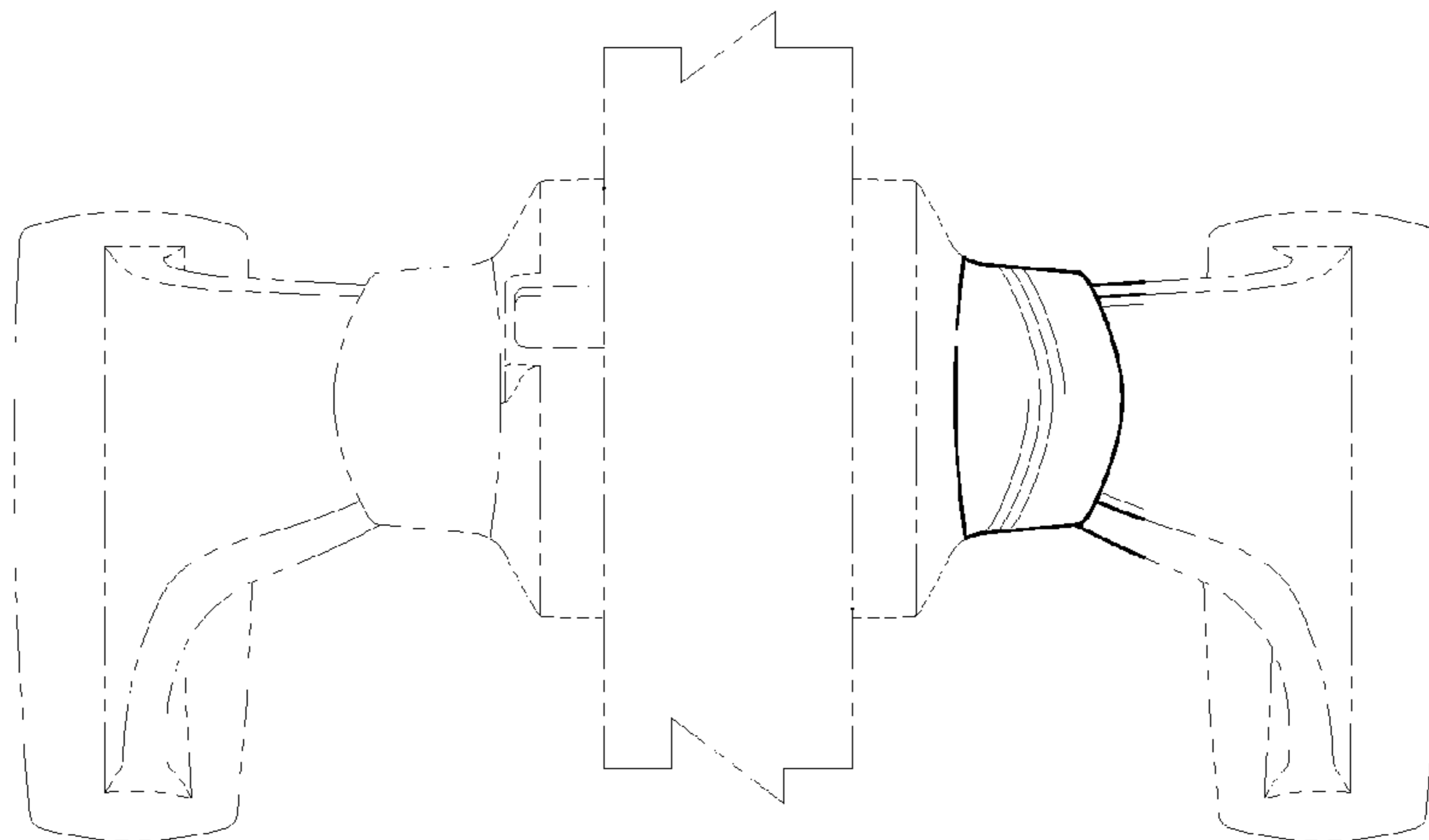
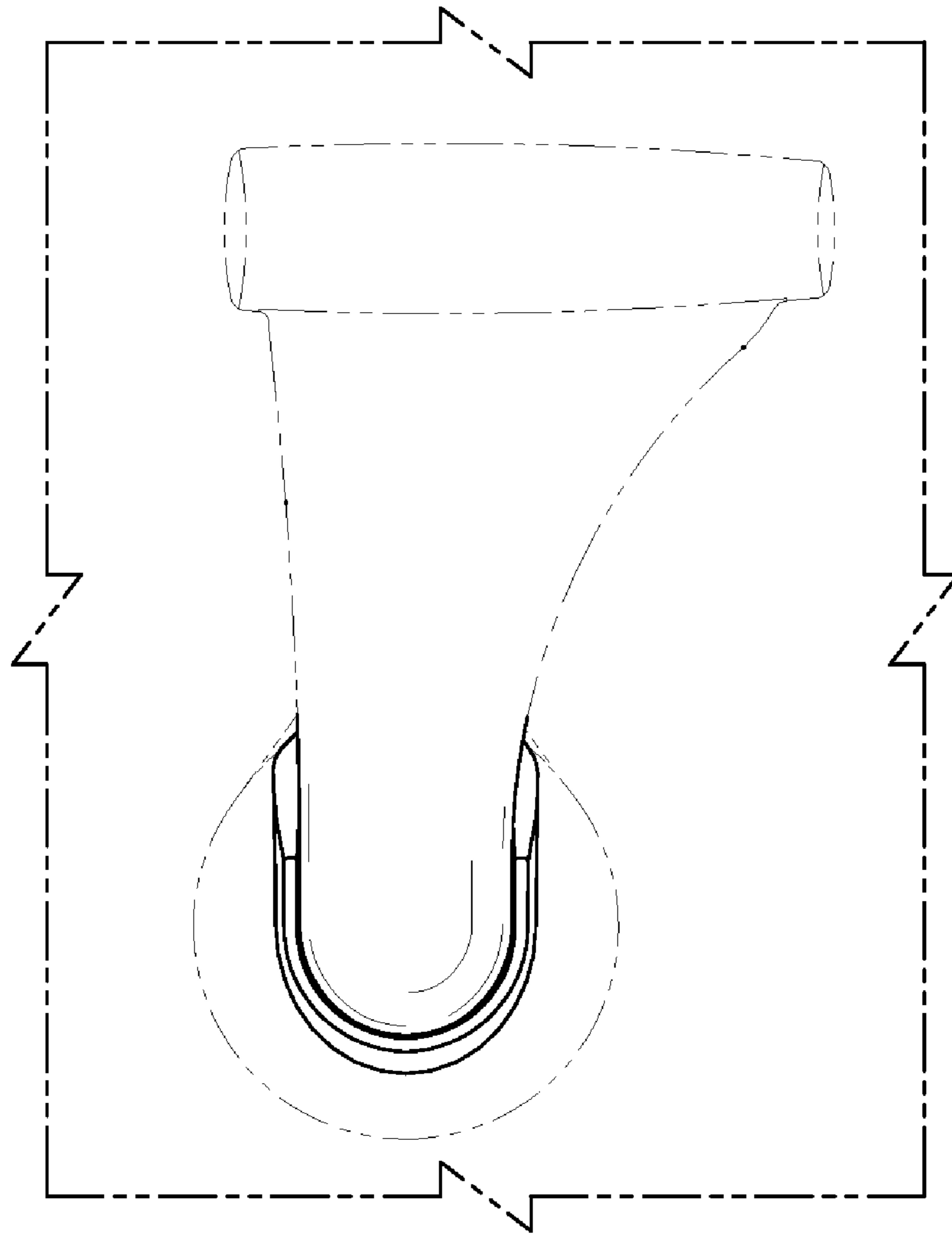


Fig-4



*Fig-5*