

US00D592485S

(12) **United States Design Patent**  
**Stevens**

(10) **Patent No.:** **US D592,485 S**

(45) **Date of Patent:** **\*\* May 19, 2009**

(54) **LOCK**

2,904,985 A 9/1959 Murphy

(Continued)

(75) Inventor: **Scott Stevens**, Cudahy, WI (US)

FOREIGN PATENT DOCUMENTS

(73) Assignee: **Master Lock Company LLC**, Oak Creek, WI (US)

GB 2246162 1/1992

(Continued)

(\*\*) Term: **14 Years**

*Primary Examiner*—Prabhakar Deshmukh

*Assistant Examiner*—Derrick Holland

(21) Appl. No.: **29/325,078**

(74) *Attorney, Agent, or Firm*—Calfee, Halter & Griswold LLP

(22) Filed: **Sep. 25, 2008**

(51) **LOC (9) Cl.** ..... **08-07**

(57) **CLAIM**

(52) **U.S. Cl.** ..... **D8/334; D8/343**

I claim the ornamental design for a lock, as shown and described.

(58) **Field of Classification Search** ..... D8/334, D8/330, 331, 333, 336, 338, 339, 343, 346; 70/14, 20, 21, 24, 25, 31, 35, 38 A, 51–56, 70/91, 141, 278.1, DIG. 43, DIG. 56, DIG. 76  
See application file for complete search history.

**DESCRIPTION**

FIG. 1 is a front perspective view of a lock showing my new design;

(56) **References Cited**

U.S. PATENT DOCUMENTS

453,082 A	5/1891	Hollyday	
952,643 A	3/1910	Roche	
1,560,868 A	11/1925	Shinn	
1,662,612 A	3/1928	Junkunc	
D78,846 S	6/1929	Soref	
1,757,387 A	5/1930	Rabkin	
2,036,541 A	4/1936	Ringseis	
D115,761 S	4/1939	Ringseis	
2,159,291 A *	5/1939	Quintal	70/21
2,733,590 A	2/1956	Crumb	
2,874,563 A	2/1959	Schlage	

FIG. 2 is a top plan view thereof;

FIG. 3 is a front elevation view thereof;

FIG. 4 is a rear elevation view thereof;

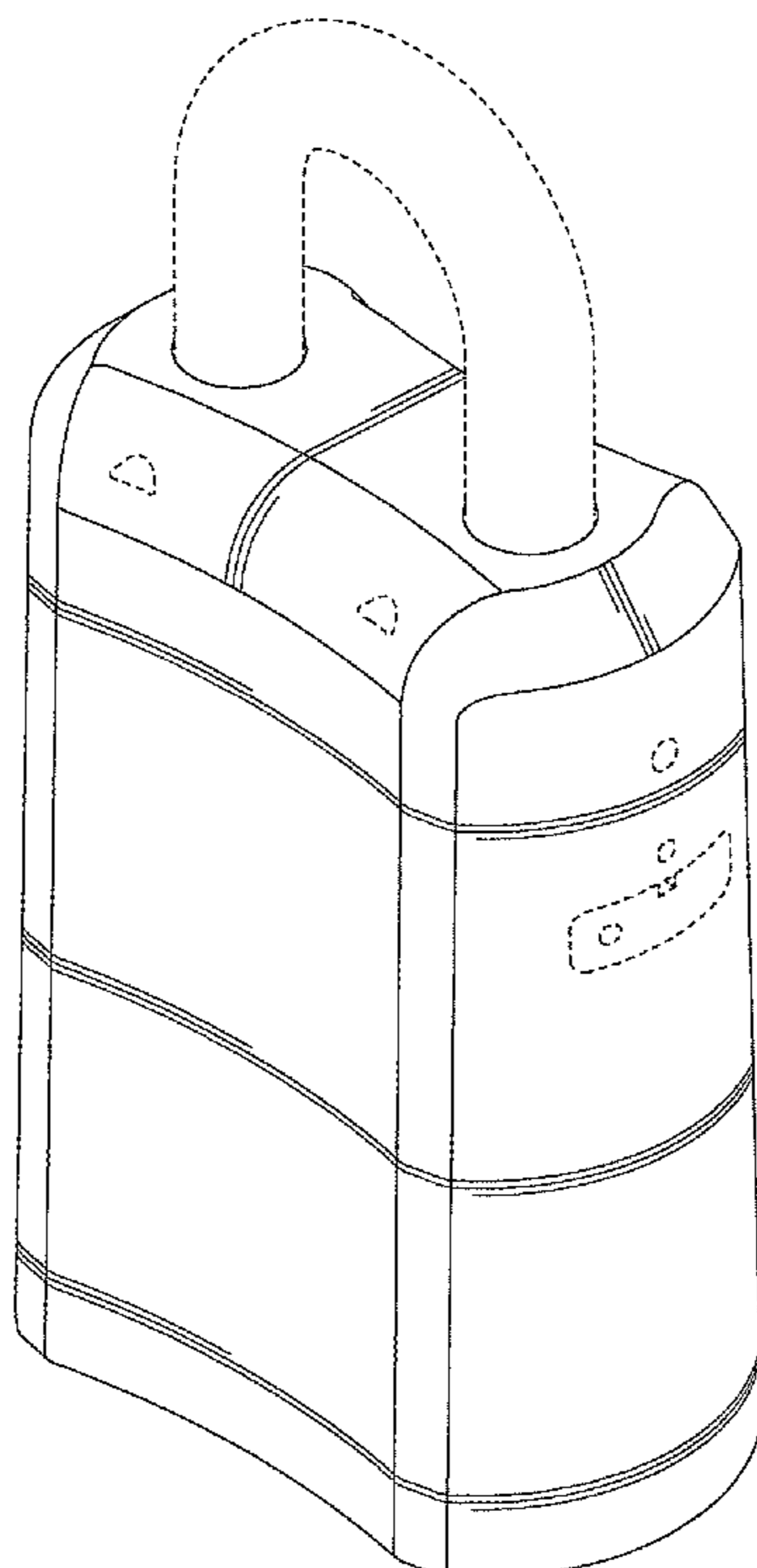
FIG. 5 is a bottom plan view thereof;

FIG. 6 is a right side view thereof; and,

FIG. 7 is a left side view thereof.

The broken lines, which define the bounds of the claimed design, form no part thereof. The broken lines shown represent unclaimed subject matter and form no part of the claimed design.

**1 Claim, 4 Drawing Sheets**



# US D592,485 S

Page 2

## U.S. PATENT DOCUMENTS

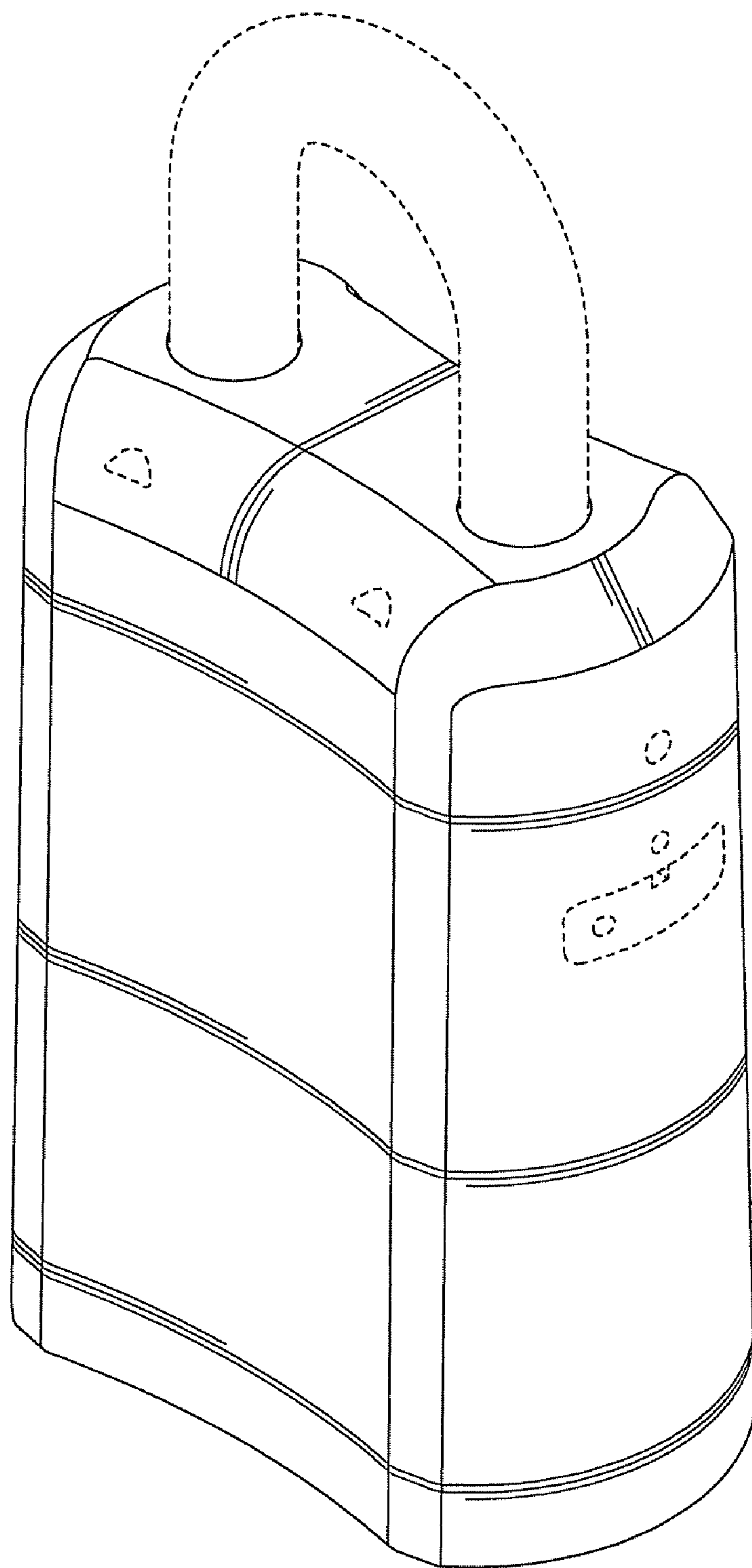
2,906,112 A 9/1959 Vahlstrom  
2,956,430 A 10/1960 Simmons  
3,263,463 A 8/1966 Duval  
3,400,564 A 9/1968 Glass  
3,529,456 A 9/1970 McWilliams  
3,750,431 A 8/1973 Atkinson  
3,882,703 A 5/1975 Hermann  
D243,150 S 1/1977 Dykes  
4,218,902 A 8/1980 Druschel  
4,224,813 A 9/1980 Hampton  
4,226,100 A 10/1980 Hampton  
4,297,861 A 11/1981 Dykes  
4,317,344 A 3/1982 Barnard  
4,651,543 A 3/1987 Heald et al.  
4,790,163 A 12/1988 Appelbaum  
5,033,279 A 7/1991 Lebrecht  
5,156,029 A 10/1992 Heald  
D342,010 S 12/1993 Lebrecht  
5,587,702 A 12/1996 Chadfield  
5,638,707 A 6/1997 Gould  
5,761,935 A 6/1998 Adelmeyer  
D400,078 S 10/1998 Adelmeyer  
D402,878 S 12/1998 Liu  
D408,262 S 4/1999 Liu  
D411,730 S \* 6/1999 Matyko ..... D8/334

5,946,957 A 9/1999 Yamamoto  
D423,324 S 4/2000 Liu  
6,047,575 A \* 4/2000 Larson et al. .... 70/278.1  
D425,398 S 5/2000 Fiegenger et al.  
D432,393 S 10/2000 Gast  
D435,428 S 12/2000 Ling  
D449,510 S 10/2001 Liu  
D450,560 S 11/2001 Yu  
6,397,647 B1 6/2002 Kuo  
D472,129 S \* 3/2003 Hill et al. .... D8/333  
6,705,134 B2 3/2004 Miranda  
6,708,533 B2 3/2004 Lavikainen et al.  
6,769,277 B1 8/2004 Chang  
6,813,914 B2 11/2004 Chen  
D516,896 S 3/2006 Kearns et al.  
D517,396 S \* 3/2006 Tarter et al. .... D8/334  
D537,704 S 3/2007 Van Handel  
D547,161 S 7/2007 Blomstrom et al.  
D558,025 S 12/2007 Rohde et al.  
D577,278 S 9/2008 Rohde et al.  
2004/0055342 A1 3/2004 Chen

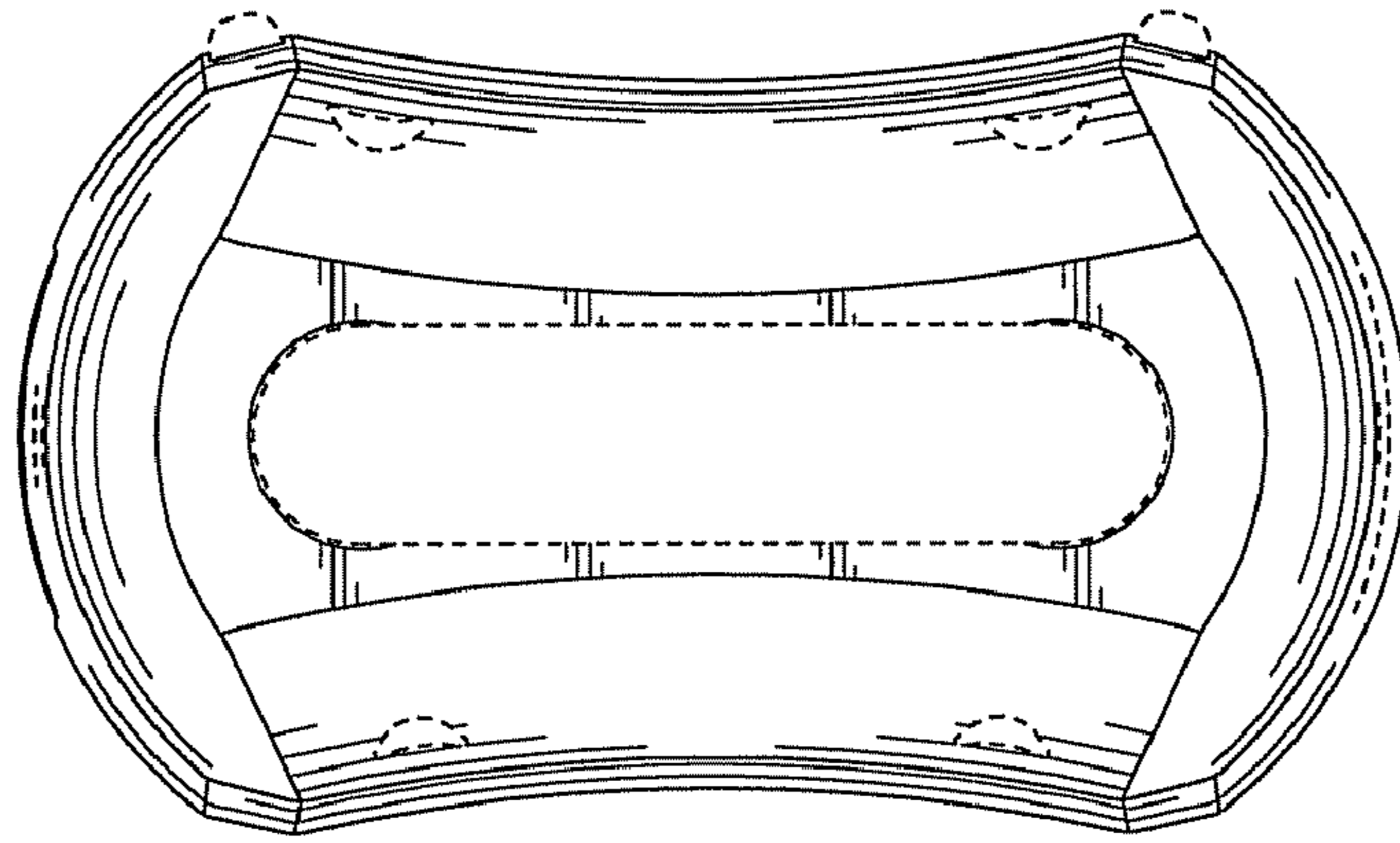
## FOREIGN PATENT DOCUMENTS

JP 02164986 6/1990

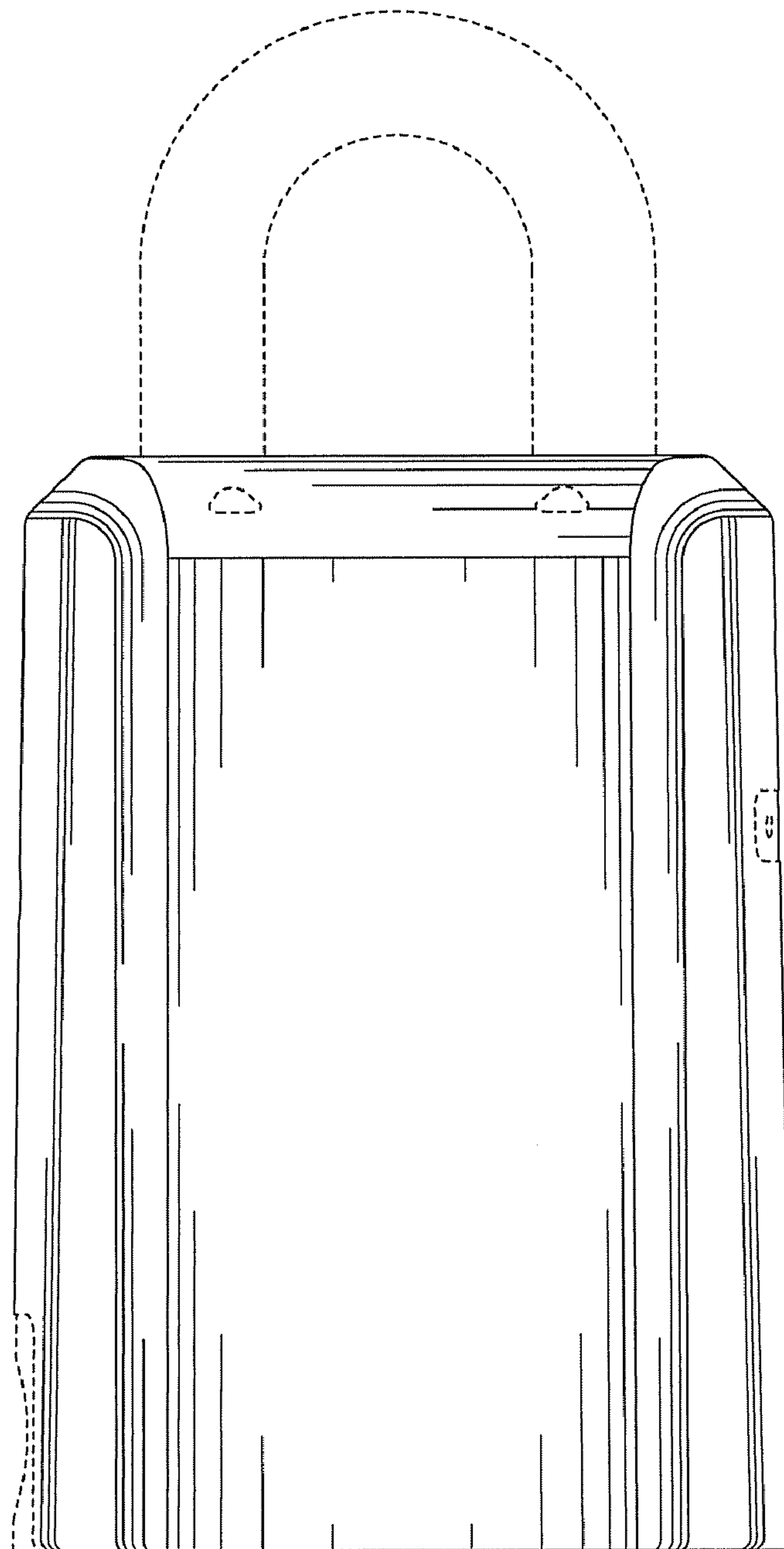
\* cited by examiner



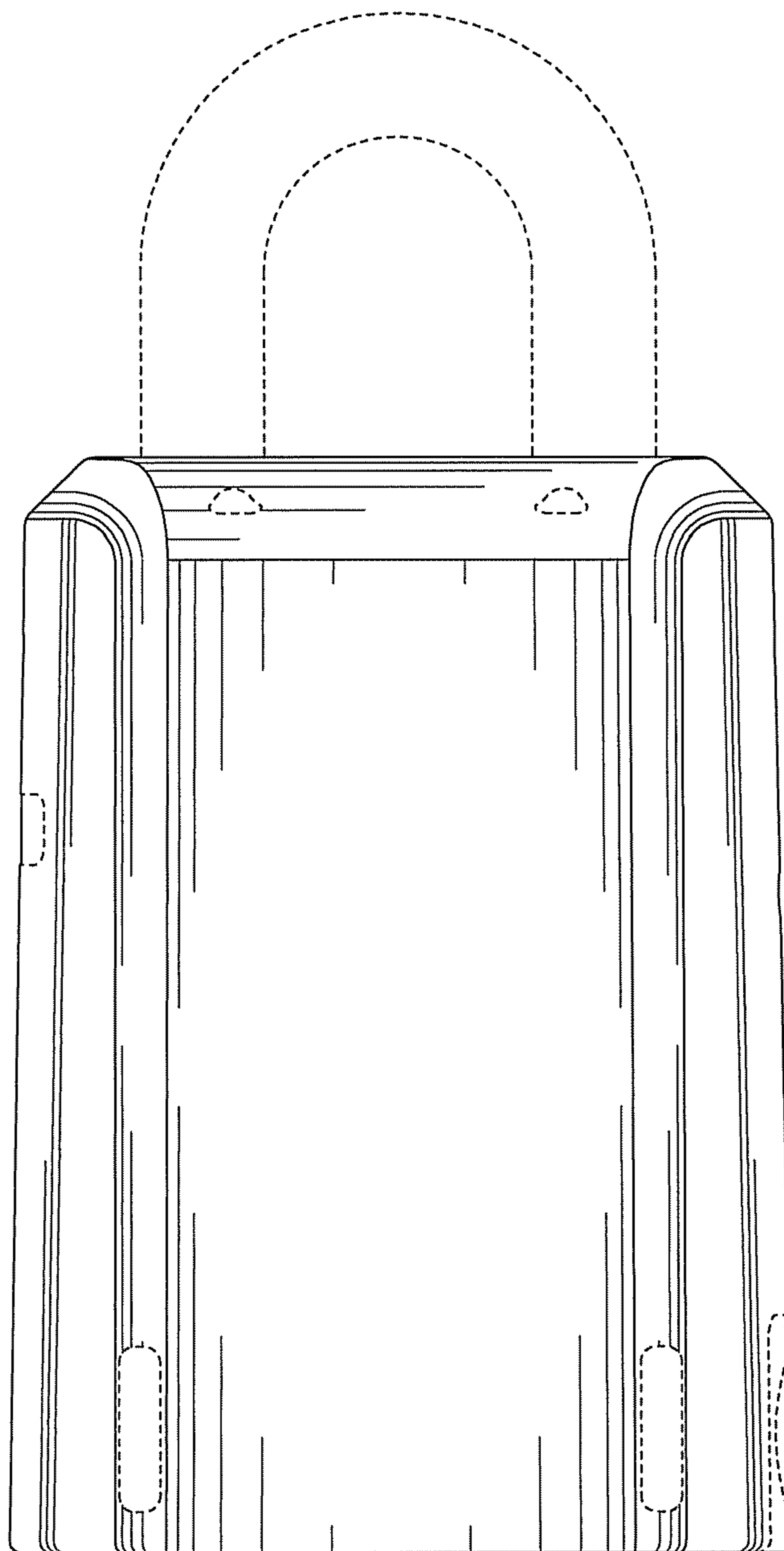
**FIG. 1**



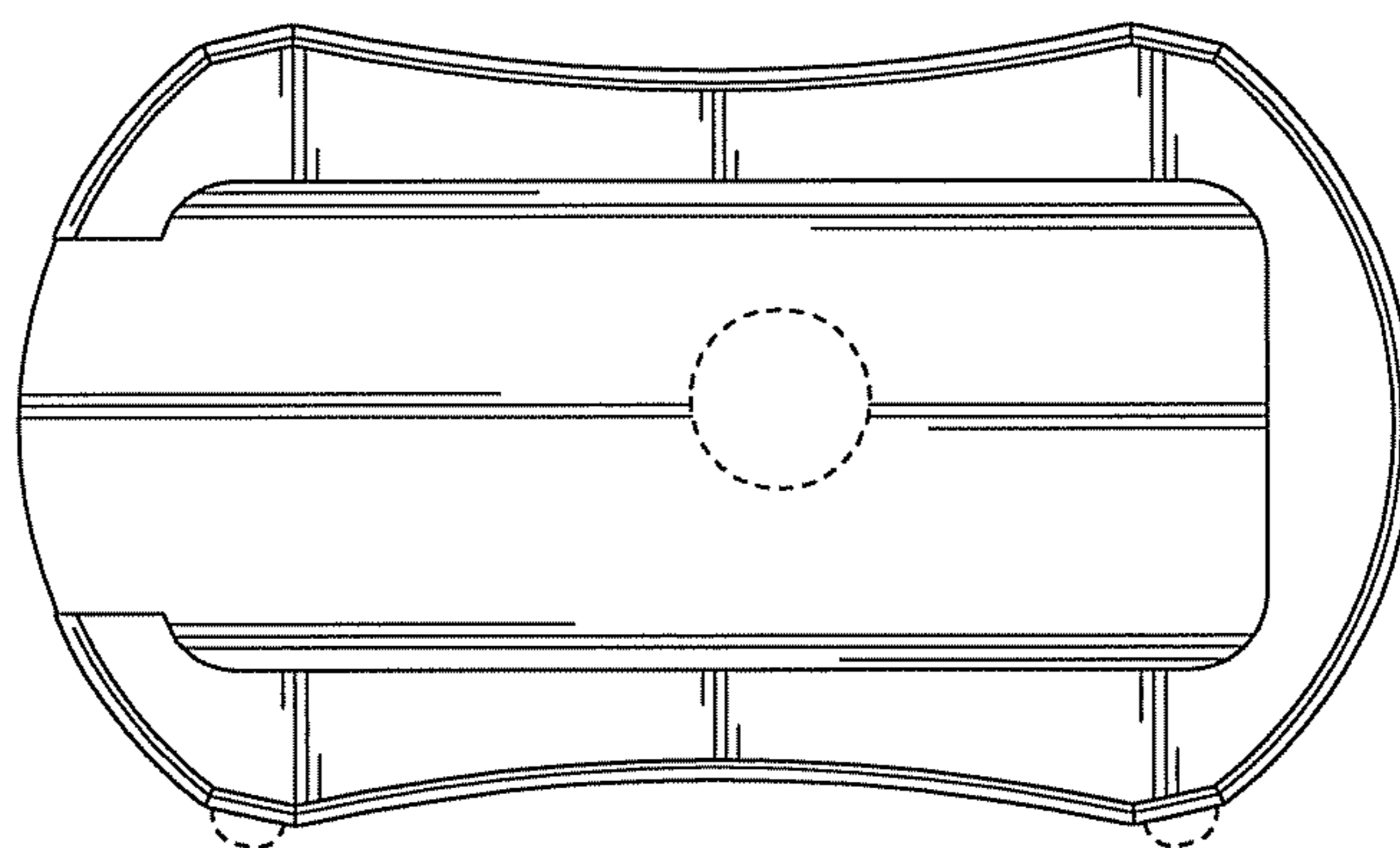
**FIG. 2**



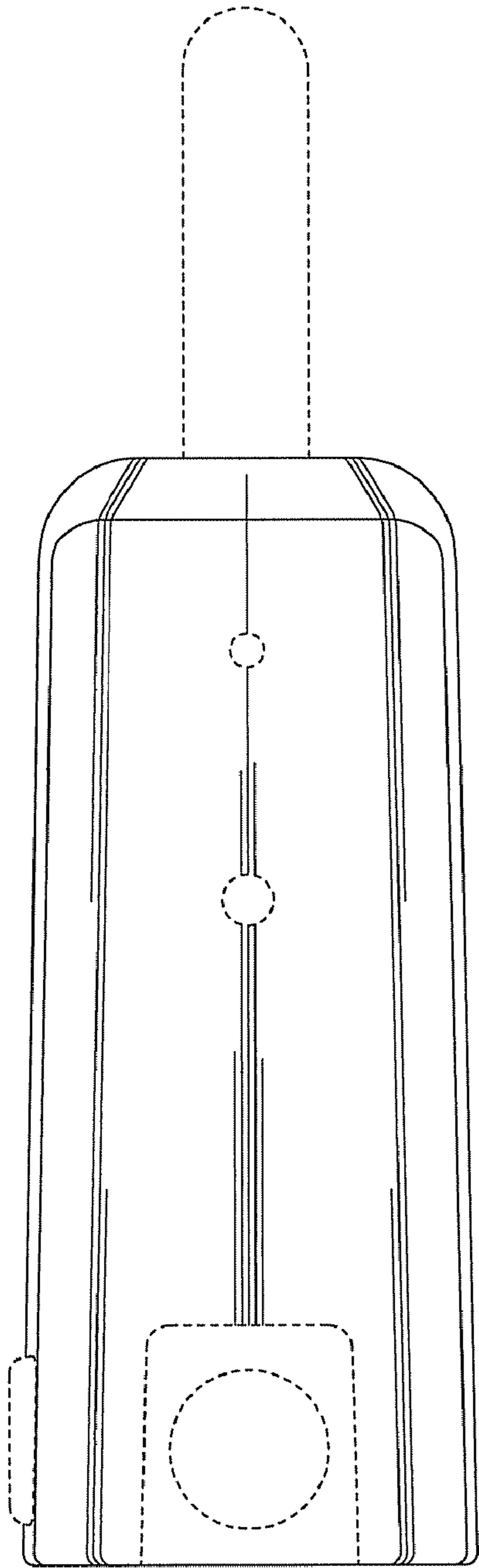
**FIG. 3**



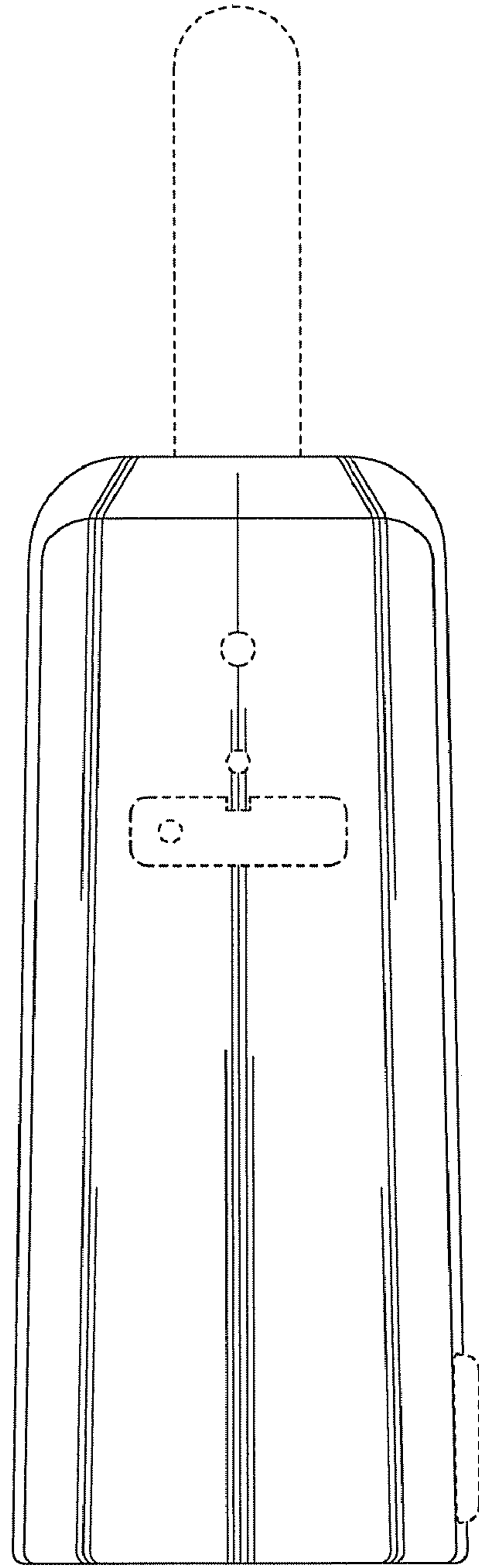
**FIG. 4**



**FIG. 5**



**FIG. 6**



**FIG. 7**