



US00D592484S

(12) **United States Design Patent**  
**Ricereto**

(10) **Patent No.:** **US D592,484 S**  
(45) **Date of Patent:** **\*\* May 19, 2009**

- (54) **KNOB**
- (75) Inventor: **Michael Hart Ricereto**, Baltimore, MD (US)
- (73) Assignee: **Newell Operating Company**, Atlanta, GA (US)
- (\*\*) Term: **14 Years**
- (21) Appl. No.: **29/305,764**
- (22) Filed: **Mar. 27, 2008**
- (51) **LOC (9) Cl.** ..... **08-01**
- (52) **U.S. Cl.** ..... **D8/310; D8/307**
- (58) **Field of Classification Search** ..... D8/301, D8/302, 307, 310, 352; 16/110.1, 402, 412, 16/414, 442, 441; 292/336.3, 347, 348, 350; 403/357, 361; 420/73; 72/58; 422/186  
See application file for complete search history.

D372,185 S	7/1996	Doughty et al.	
D373,065 S	8/1996	De'Armond	
D383,371 S	9/1997	Doughty et al.	
D396,179 S	7/1998	Burns et al.	
D396,180 S	7/1998	Burns et al.	
D399,723 S	10/1998	Burns et al.	
D401,834 S	12/1998	Burns et al.	
D429,455 S	8/2000	Burns et al.	
D434,962 S	12/2000	Short	
D443,174 S	6/2001	Rae	
D452,413 S	12/2001	Rae	
D454,049 S	3/2002	LaPlume et al.	
D492,887 S	7/2004	Wu	
D493,686 S	8/2004	Fields	
D526,882 S *	8/2006	Veltz	D8/307
D543,088 S *	5/2007	Ricereto	D8/310
D545,664 S	7/2007	Fields	
D560,110 S	1/2008	Ricereto	
D565,385 S *	4/2008	Jou	D8/307
D567,624 S	4/2008	Ricereto	

\* cited by examiner

*Primary Examiner*—Paula Greene  
(74) *Attorney, Agent, or Firm*—Banner & Witcoff, Ltd.

(56) **References Cited**

U.S. PATENT DOCUMENTS

190,855 A *	5/1877	Hendryx	16/414
D43,534 S *	2/1913	Hawley	D8/310
1,840,204 A *	1/1932	Kimball	292/348
2,002,817 A *	5/1935	Johnson	16/441
D121,558 S *	7/1940	Borchers	D8/310
2,454,927 A *	11/1948	Kalwo	292/347
2,688,297 A *	9/1954	Livermont et al.	72/58
D176,713 S	1/1956	Ellis	
D179,220 S	11/1956	Russell	
D248,445 S	7/1978	Palm, Jr.	
D271,464 S	11/1983	Carlson	
D301,681 S	6/1989	Jans	
D326,219 S	5/1992	Clayton	
D327,407 S	6/1992	Clayton	
D333,697 S	3/1993	Thomas	
D361,492 S	8/1995	Chieda	
D368,638 S	4/1996	Sonnenleiter	
D368,640 S	4/1996	Sonnenleiter	

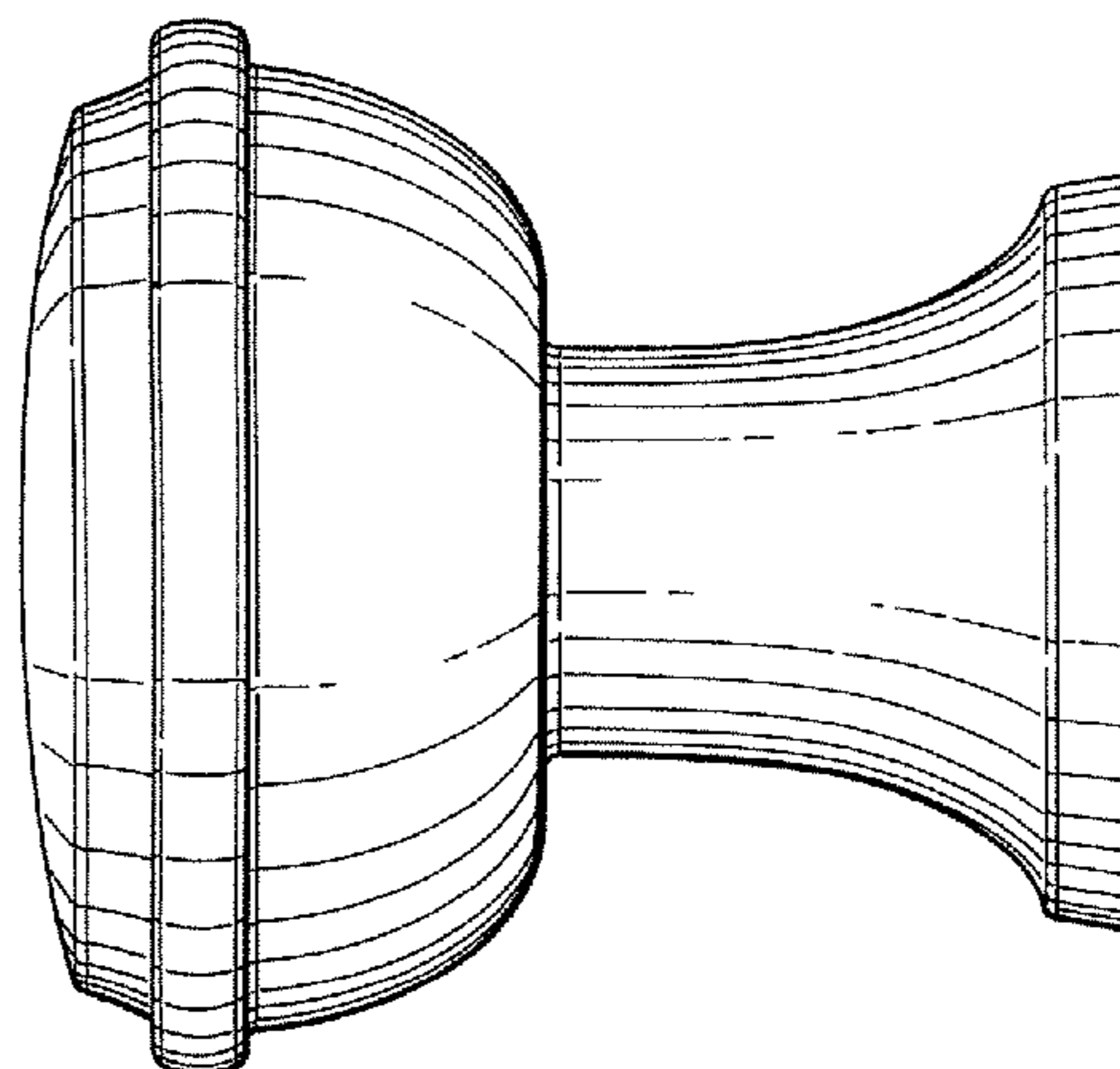
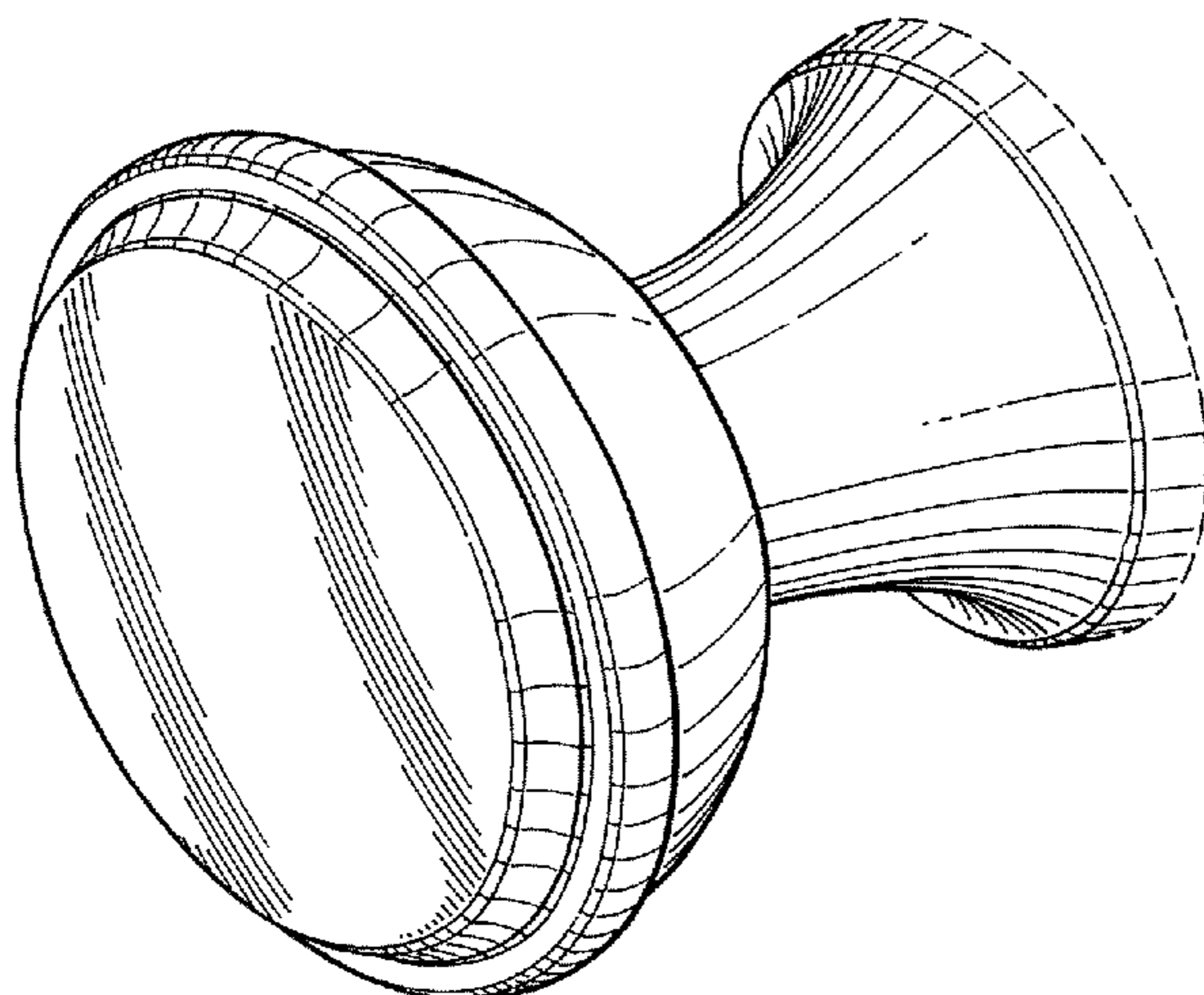
(57) **CLAIM**

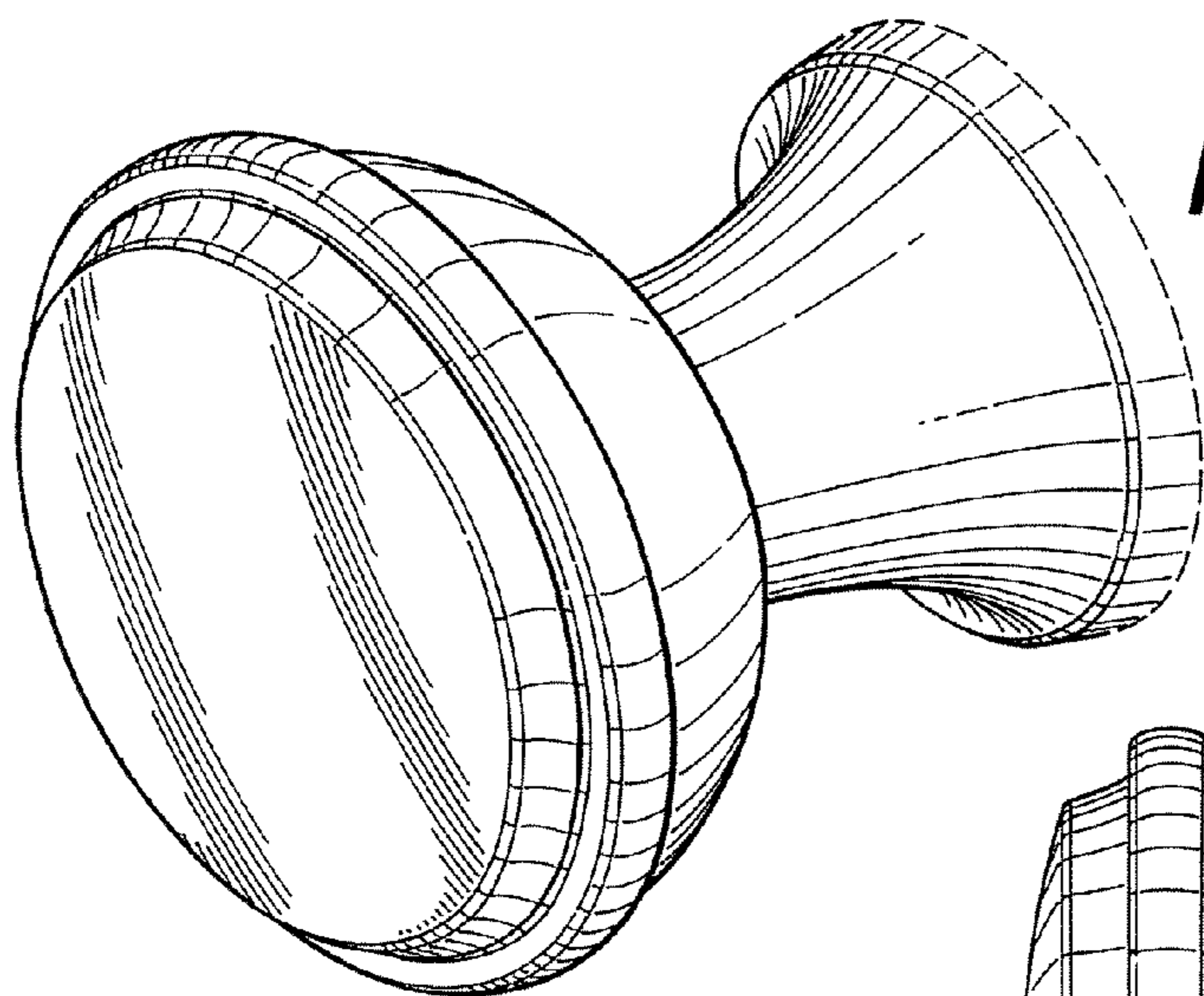
I claim the ornamental design for a knob, as shown and described.

**DESCRIPTION**

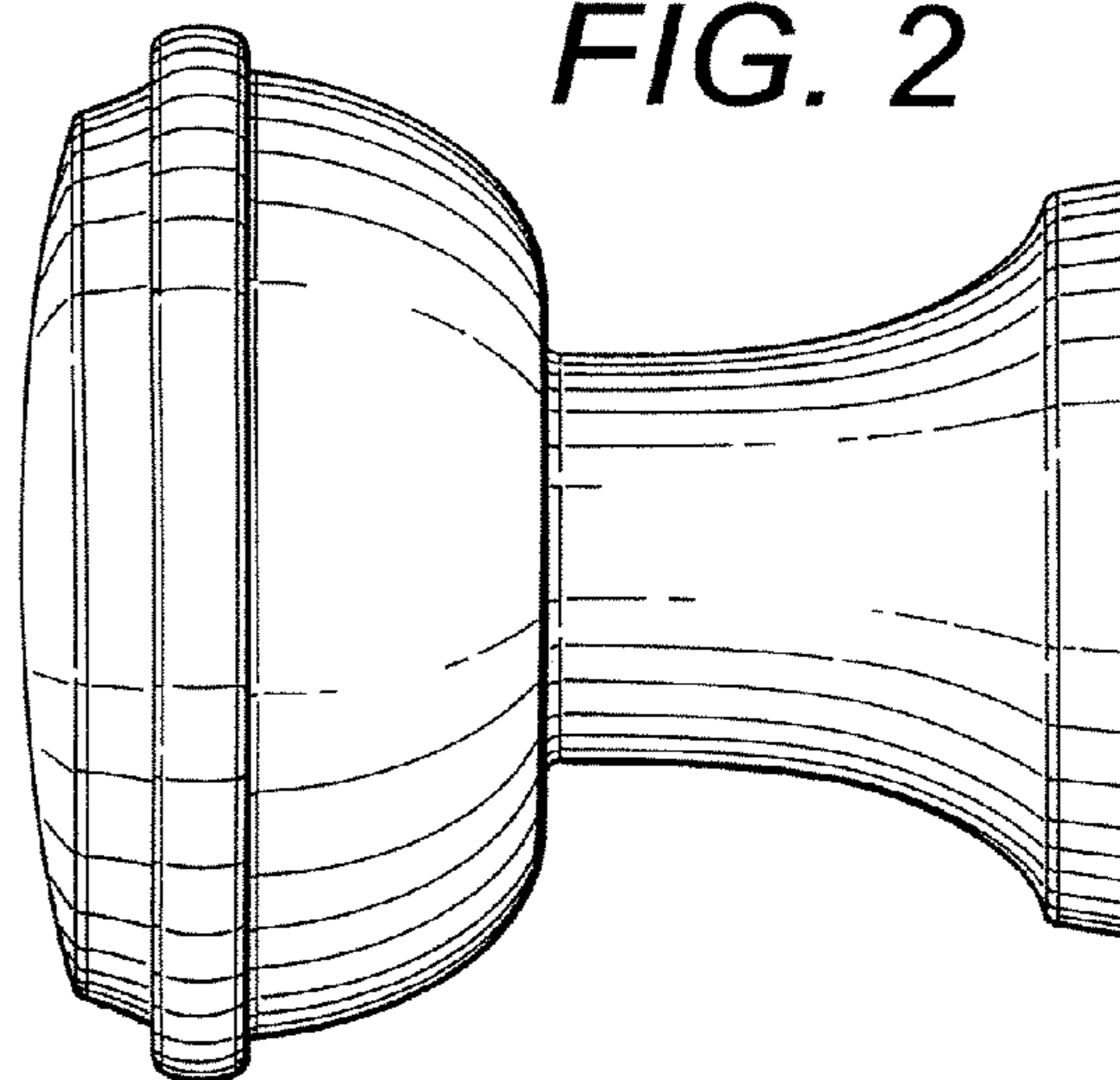
FIG. 1 is a perspective view of a knob of the present claimed design;  
FIG. 2 is a side view of the knob shown in FIG. 1, each side view being identical thereto;  
FIG. 3 is a front view of the knob shown in FIG. 1; and,  
FIG. 4 is a rear view of the knob shown in FIG. 1.  
Features shown in broken lines in the drawings form no part of the claimed design.

**1 Claim, 1 Drawing Sheet**

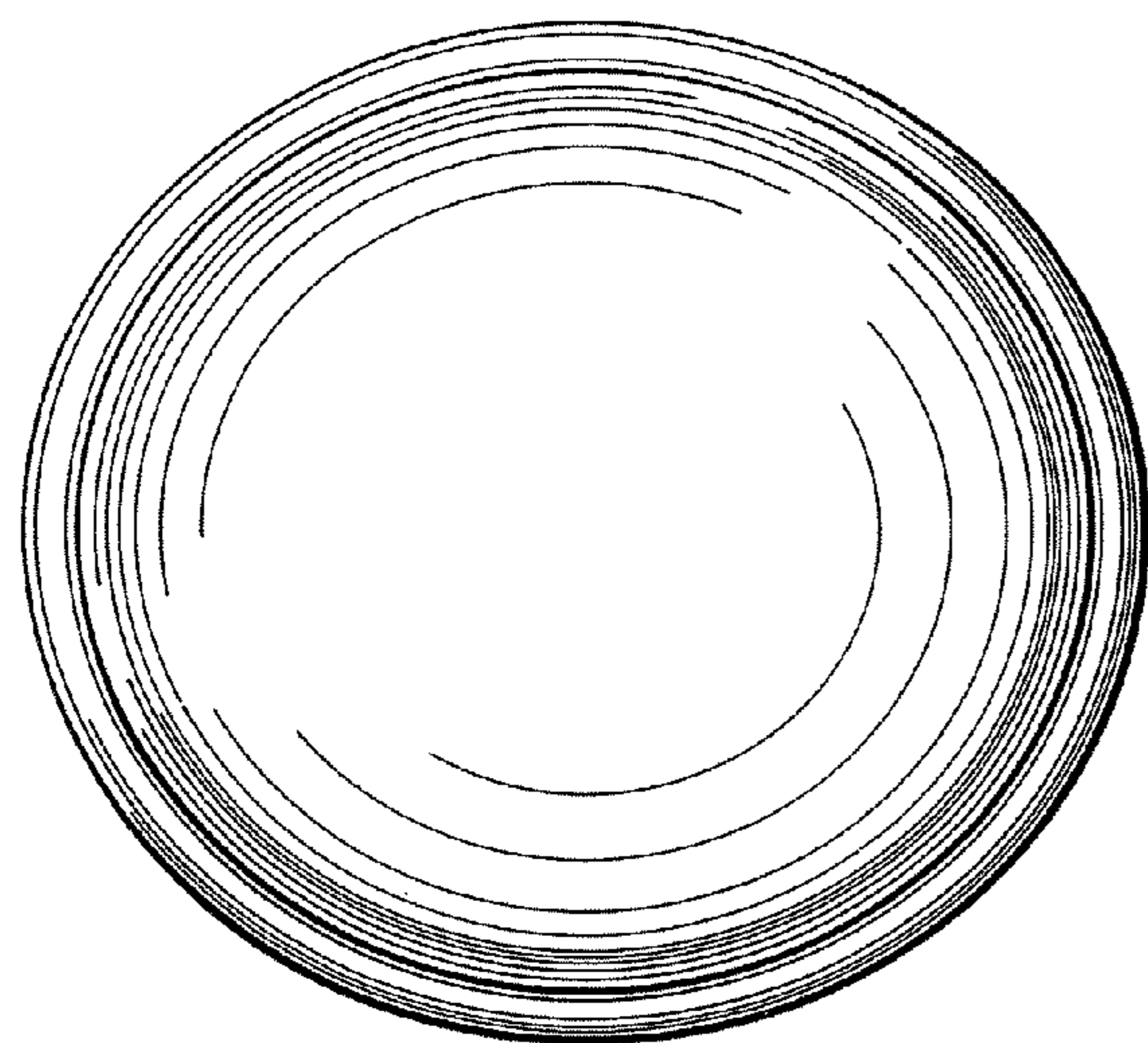




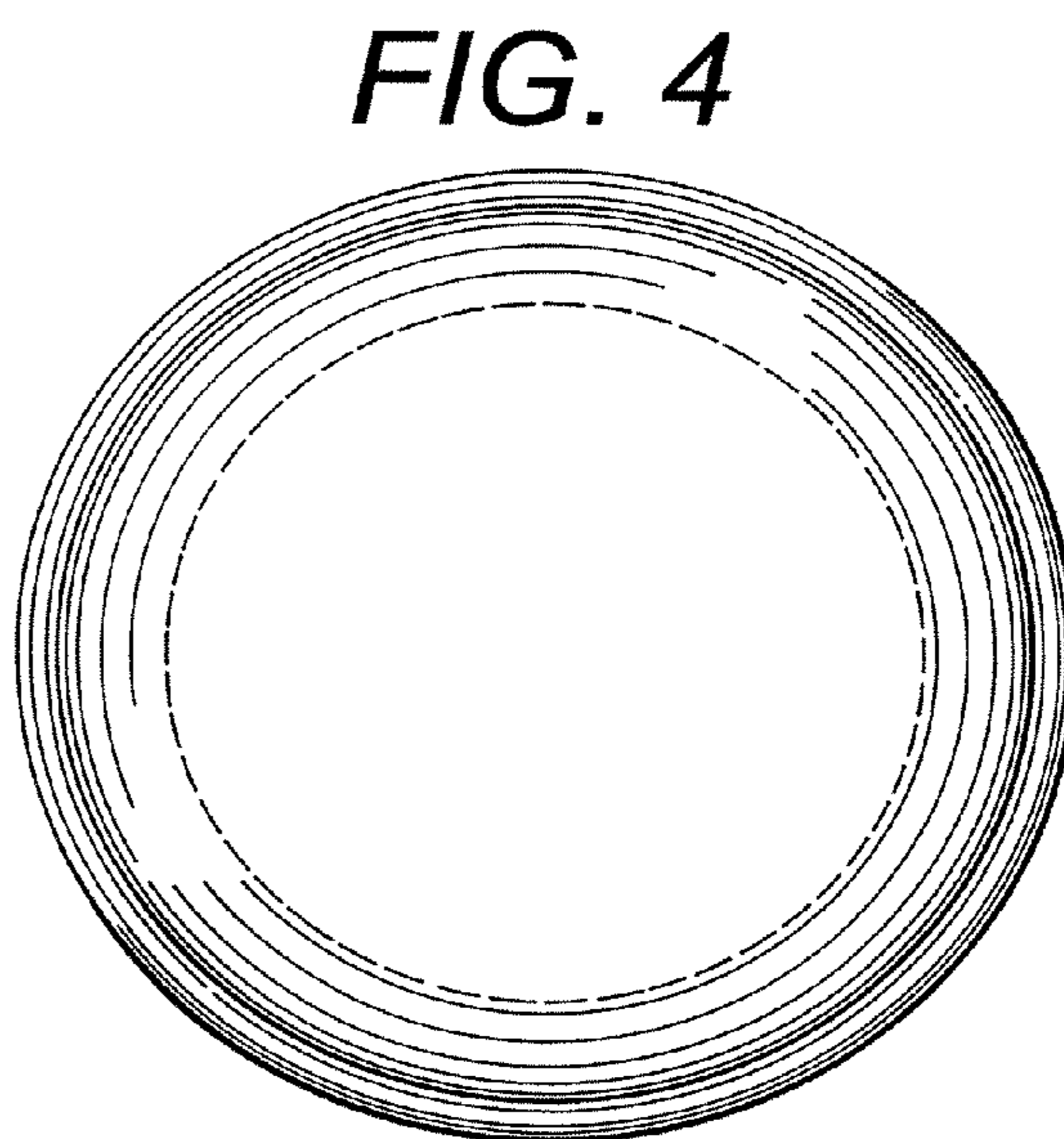
**FIG. 1**



**FIG. 2**



**FIG. 3**



**FIG. 4**