



US00D592483S

(12) **United States Design Patent**  
**Ricereto**

(10) **Patent No.:** **US D592,483 S**  
(45) **Date of Patent:** **\*\* May 19, 2009**

- (54) **KNOB**
- (75) Inventor: **Michael Hart Ricereto**, Baltimore, MD (US)
- (73) Assignee: **Newell Operating Company**, Atlanta, GA (US)
- (\*\*) Term: **14 Years**
- (21) Appl. No.: **29/305,759**
- (22) Filed: **Mar. 27, 2008**
- (51) **LOC (9) Cl.** ..... **08-01**
- (52) **U.S. Cl.** ..... **D8/310; D8/307**
- (58) **Field of Classification Search** ..... D8/301, D8/302, 307, 310, 352; 16/110.1, 412, 414, 16/441, 442, 402; 292/336.3, 347, 348, 350; 403/357, 361; 420/73; 72/58; 422/186  
See application file for complete search history.

- D373,066 S 8/1996 De'Armond
- D383,371 S 9/1997 Doughty et al.
- D396,179 S 7/1998 Burns et al.
- D396,180 S 7/1998 Burns et al.
- D399,723 S 10/1998 Burns et al.
- D401,834 S 12/1998 Burns et al.
- D429,455 S 8/2000 Burns et al.
- D434,962 S 12/2000 Short
- D443,174 S 6/2001 Rae
- D452,413 S 12/2001 Rae
- D454,049 S 3/2002 LaPlume et al.
- D492,887 S 7/2004 Wu
- D493,686 S 8/2004 Fields
- D526,882 S \* 8/2006 Veltz ..... D8/307
- D544,778 S \* 6/2007 Mattson et al. .... D8/310
- D545,664 S \* 7/2007 Fields ..... D8/310
- D560,110 S 1/2008 Ricereto
- D564,332 S \* 3/2008 McConnell ..... D8/310
- D567,624 S 4/2008 Ricereto
- D569,220 S \* 5/2008 McConnell ..... D8/310

(56) **References Cited**

U.S. PATENT DOCUMENTS

- 449,908 A \* 4/1891 Matthews ..... 16/414
- 541,017 A \* 6/1895 Shaw ..... 292/347
- 1,536,684 A \* 5/1925 Morgan ..... 420/73
- 1,681,008 A \* 8/1928 Petermann ..... 292/350
- 1,803,375 A \* 5/1931 Adams ..... 292/347
- 1,864,878 A \* 6/1932 Woernle ..... 292/352
- 2,098,868 A \* 11/1937 Grimmond ..... 292/353
- 2,105,616 A \* 1/1938 Shaw ..... 292/348
- 2,216,467 A \* 10/1940 Falk ..... 292/347
- 2,489,160 A \* 11/1949 Schoepe et al. .... 292/347
- 2,517,803 A \* 8/1950 Seaholm ..... 292/347
- 2,688,297 A \* 9/1954 Livermont et al. .... 72/58
- D176,713 S 1/1956 Ellis
- D179,220 S 11/1956 Russell
- 2,801,122 A \* 7/1957 Sutter ..... 292/347
- 3,314,746 A \* 4/1967 Millar ..... 422/186
- D248,445 S 7/1978 Palm, Jr.
- D271,464 S 11/1983 Carlson
- D301,681 S 6/1989 Jans
- D326,219 S 5/1992 Clayton
- D327,407 S 6/1992 Clayton
- D333,697 S 3/1993 Thomas
- D361,492 S 8/1995 Chieda
- D368,638 S 4/1996 Sonnenleiter
- D368,640 S 4/1996 Sonnenleiter
- D372,185 S 7/1996 Doughty et al.

\* cited by examiner

*Primary Examiner*—Paula Greene

(74) *Attorney, Agent, or Firm*—Banner & Witcoff, Ltd.

(57) **CLAIM**

I claim the ornamental design for a knob, as shown and described.

**DESCRIPTION**

FIG. 1 is a perspective view of a knob of the present claimed design;

FIG. 2 is a front view of the knob shown in FIG. 1;

FIG. 3 is a rear view of the knob shown in FIG. 1;

FIG. 4 is a right side view of the knob shown in FIG. 1;

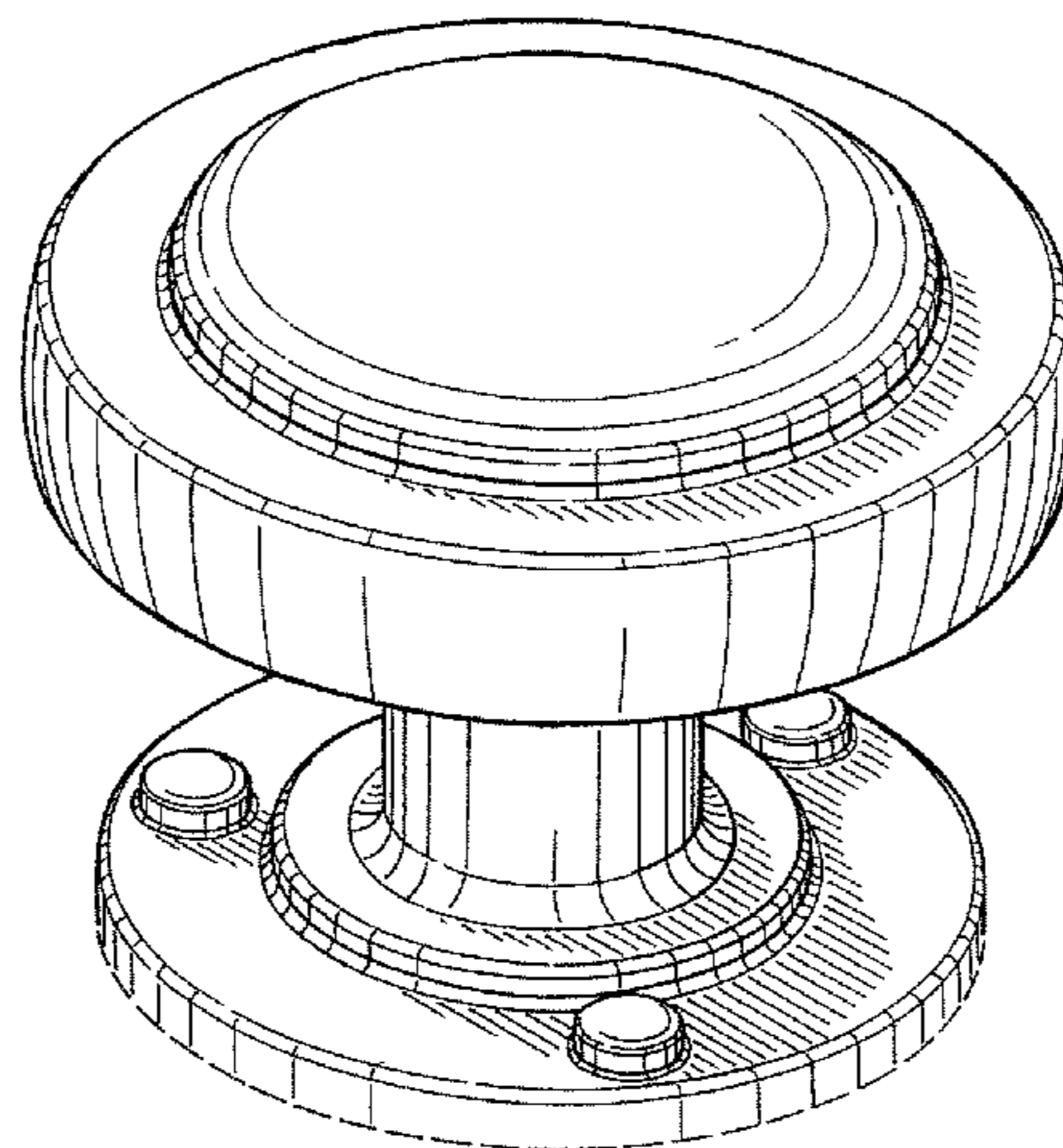
FIG. 5 is a left side view of the knob shown in FIG. 1;

FIG. 6 is a top view of the knob shown in FIG. 1; and,

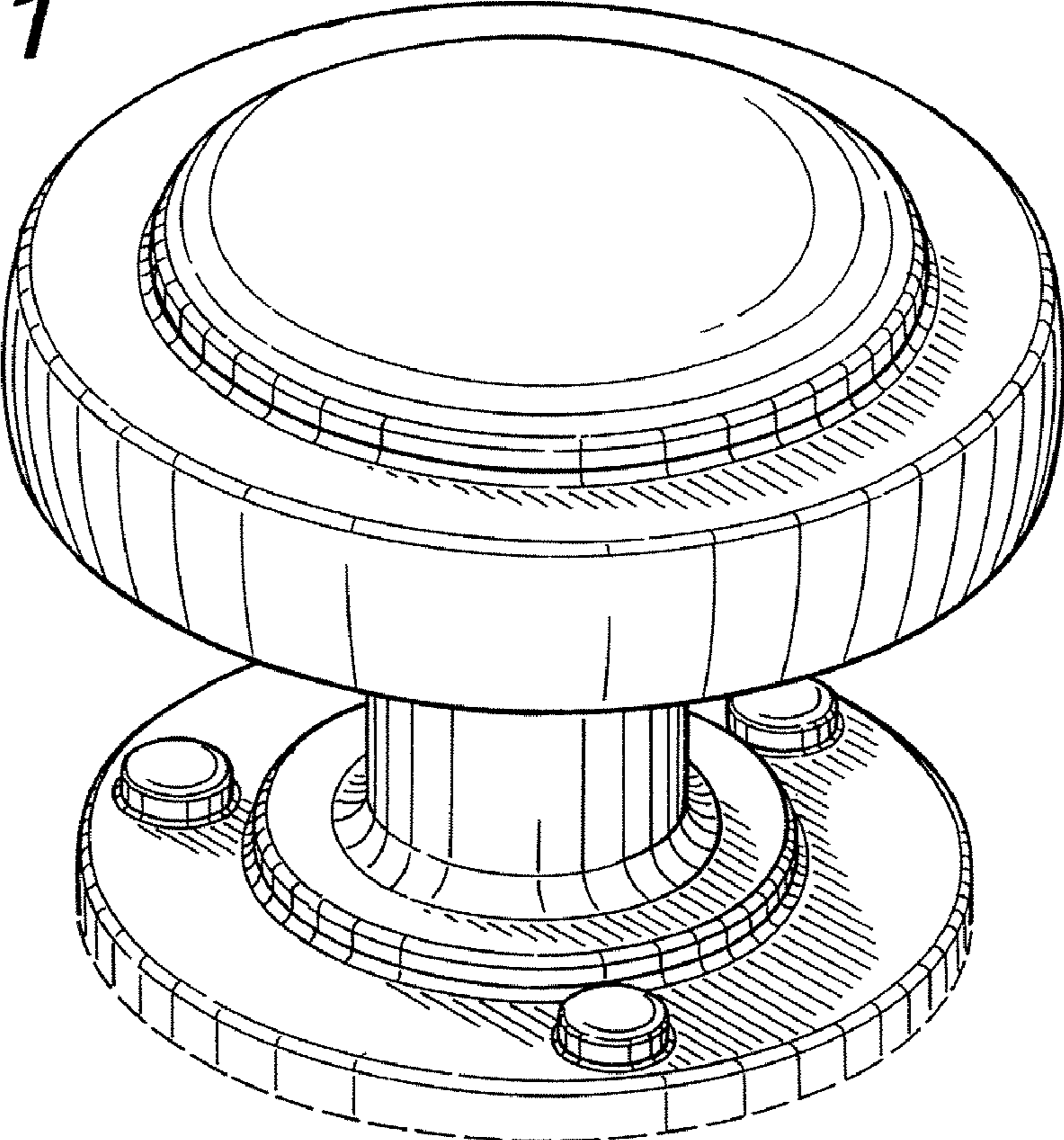
FIG. 7 is a bottom view of the knob shown in FIG. 1.

Features shown in broken lines in the drawings form no part of the claimed design.

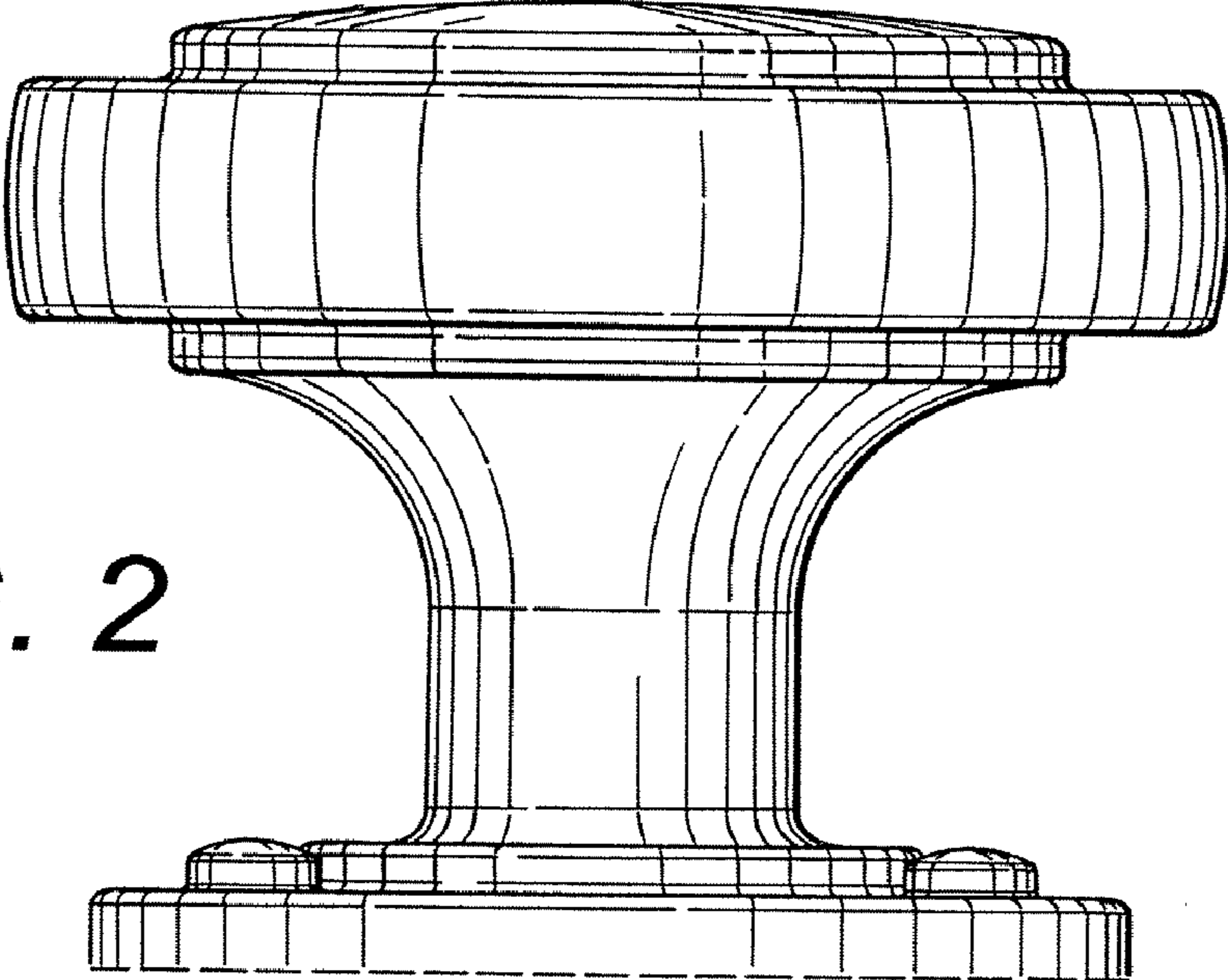
**1 Claim, 3 Drawing Sheets**

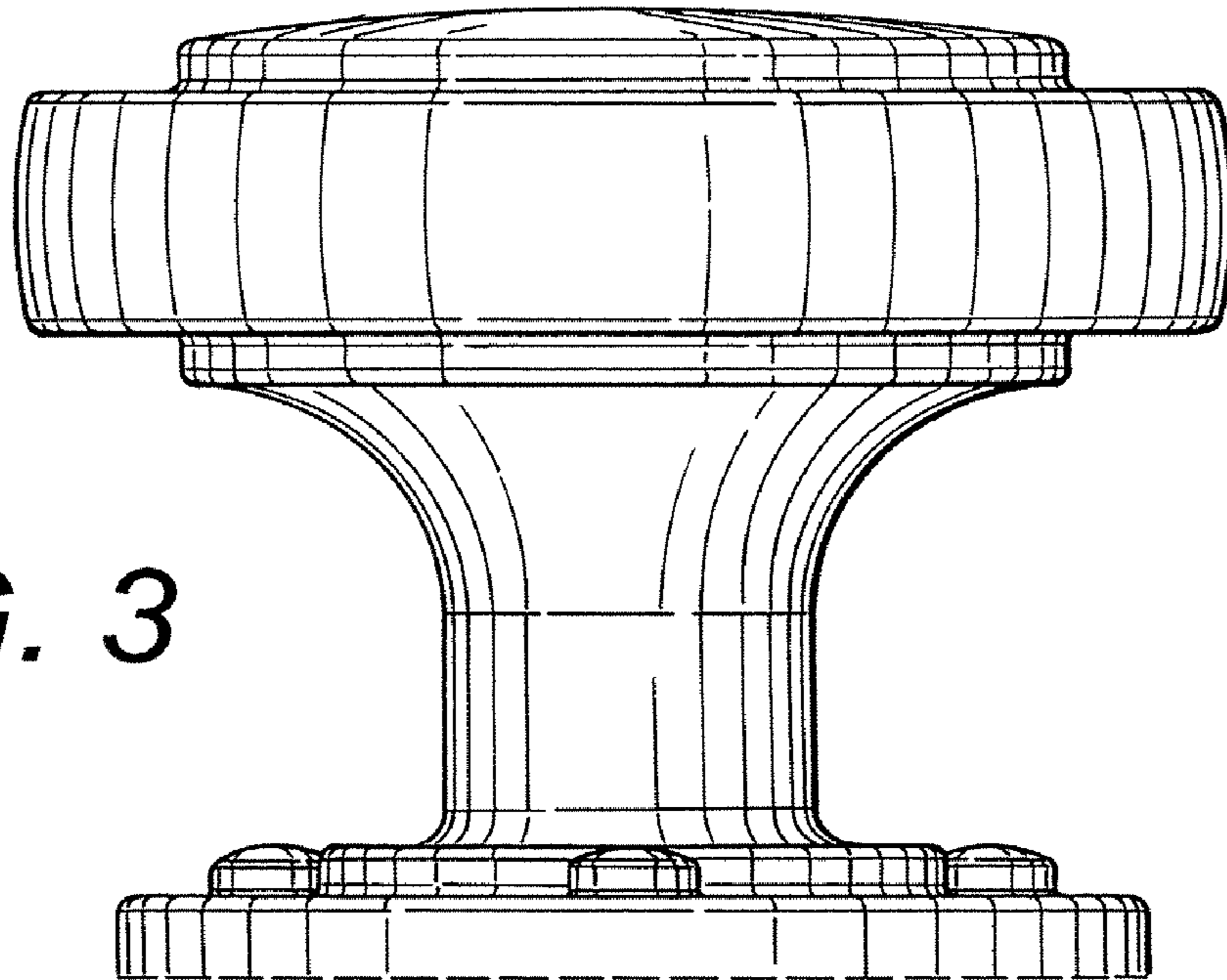


**FIG. 1**

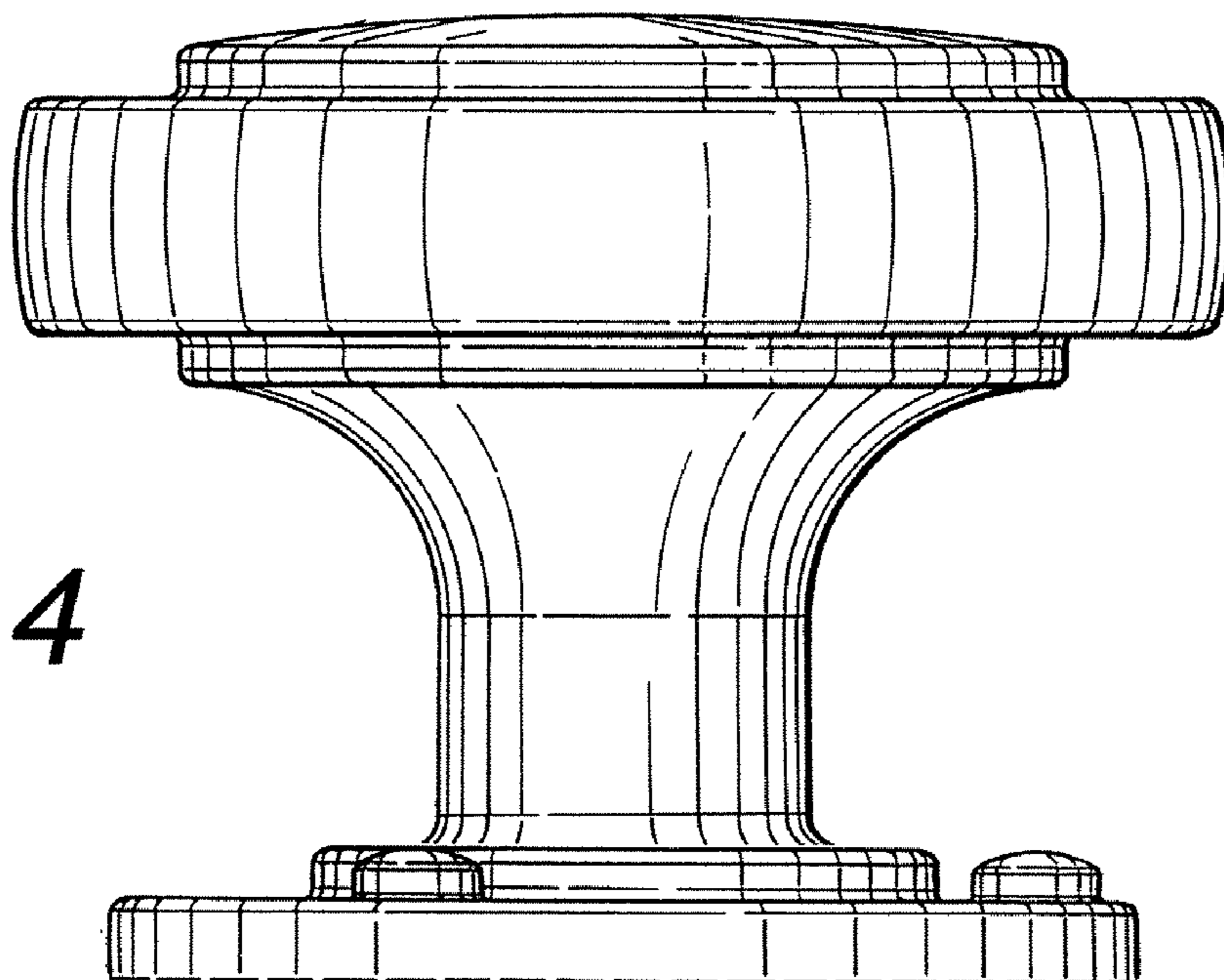


**FIG. 2**

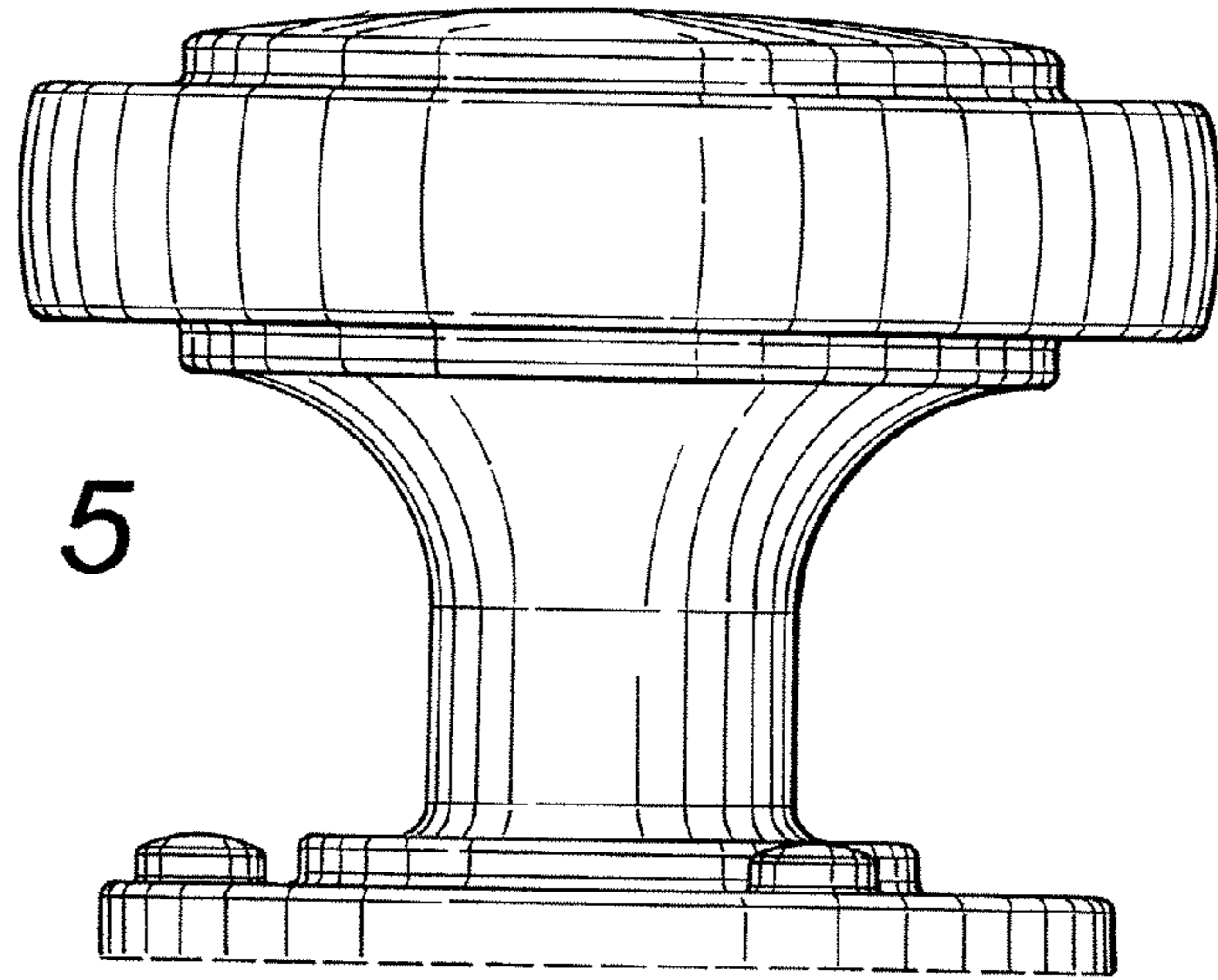




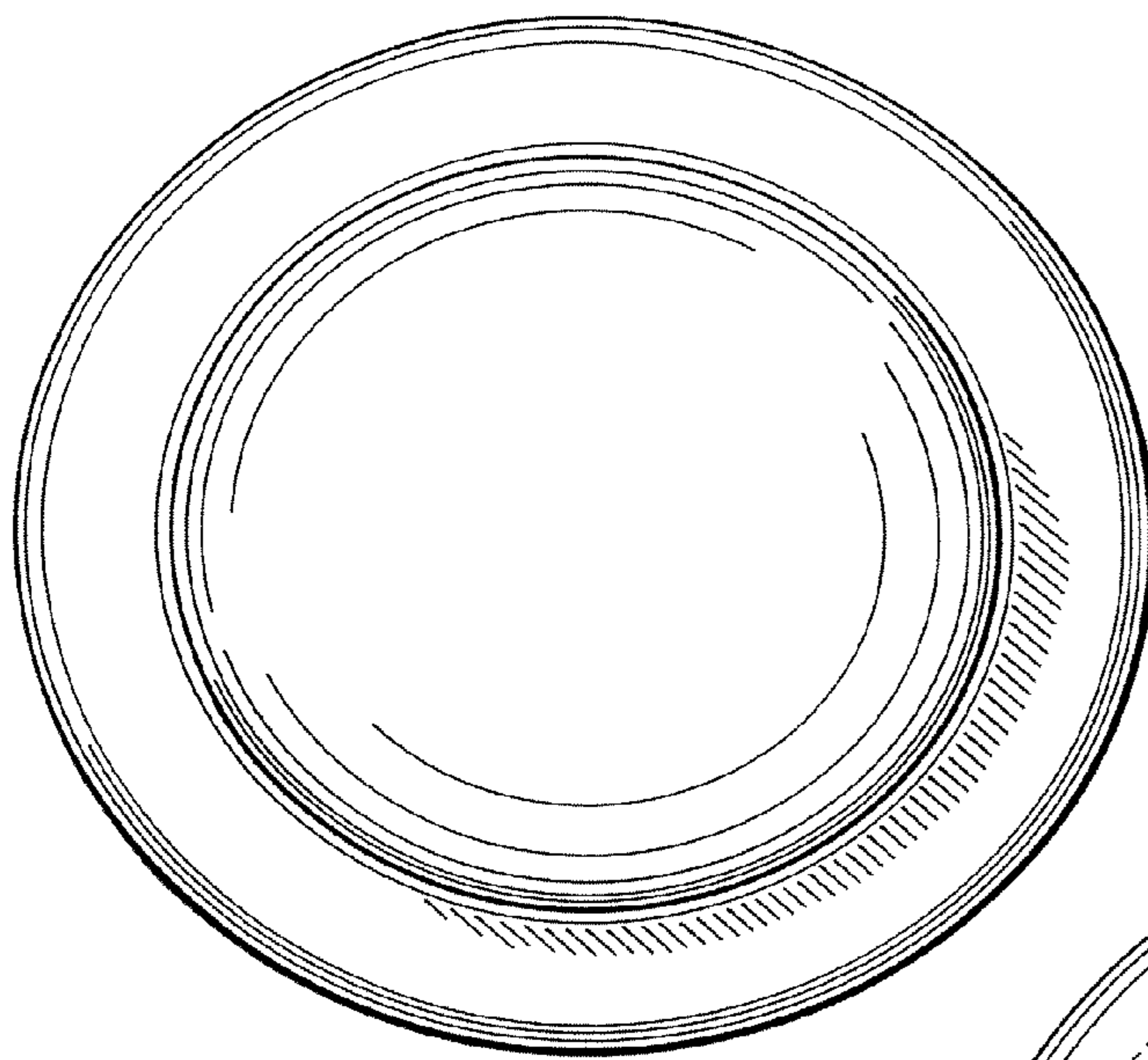
*FIG. 3*



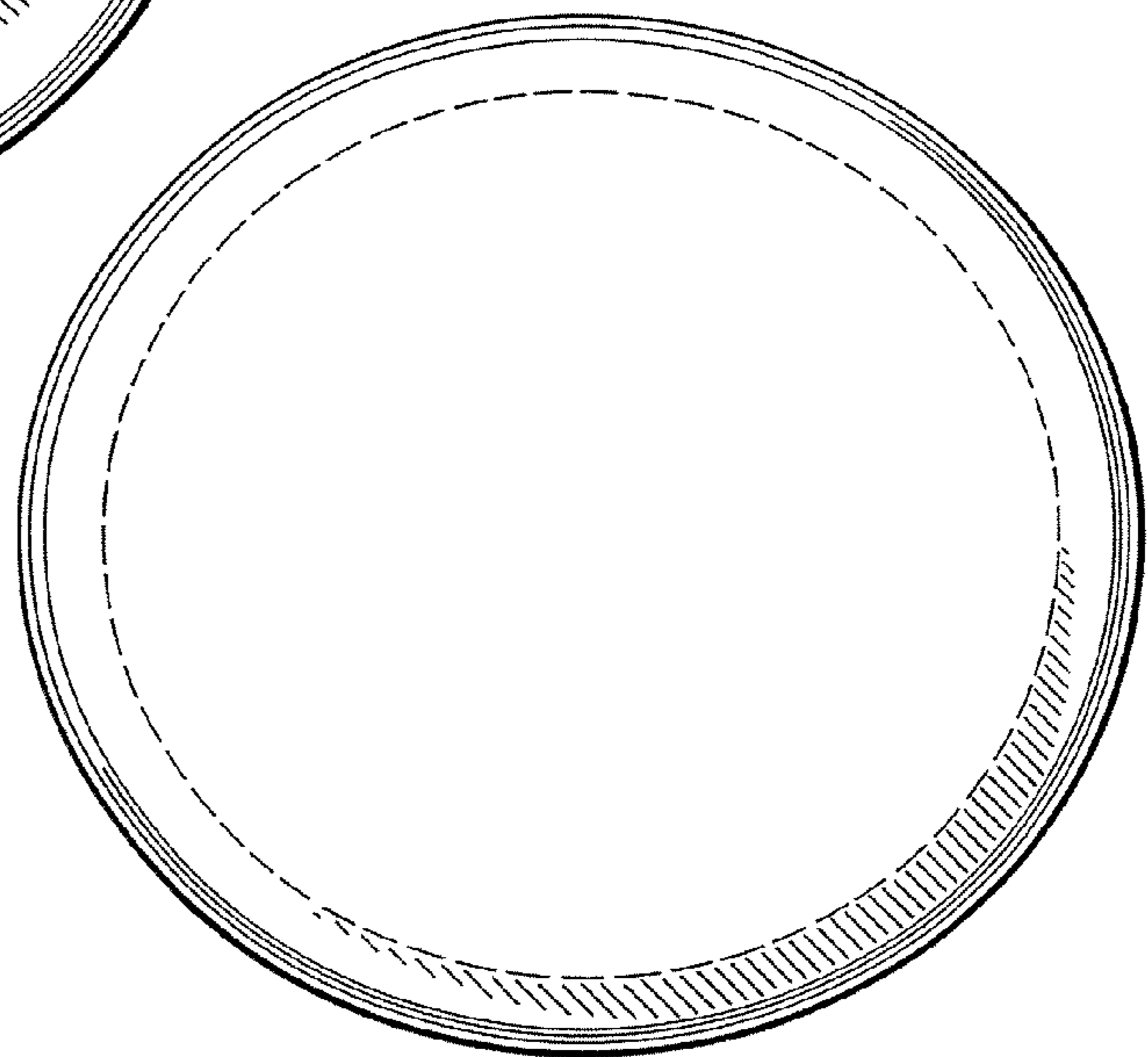
*FIG. 4*



*FIG. 5*



*FIG. 6*



*FIG. 7*