



US00D592481S

(12) **United States Design Patent**
Helmetschläger

(10) **Patent No.:** **US D592,481 S**

(45) **Date of Patent:** **** May 19, 2009**

(54) **FASTENING UNIT**

(75) Inventor: **Hubert Helmetschläger**, Anderstorp (SE)

(73) Assignee: **Anderstorps Spannsystem AB**, Anderstorp (SE)

(**) Term: **14 Years**

(21) Appl. No.: **29/306,056**

(22) Filed: **Apr. 1, 2008**

(30) **Foreign Application Priority Data**

Oct. 2, 2007	(EM)	000800578.001
Oct. 2, 2007	(EM)	000800578.002
Oct. 2, 2007	(EM)	000800578.003

(51) **LOC (9) Cl.** **08-05**

(52) **U.S. Cl.** **D8/72**

(58) **Field of Classification Search** D8/71-74,
D8/394-397, 354, 355, 356; 248/62, 689,
248/124.2, 313; 81/10, 118, 132, 155-164,
81/173, 175; 269/3, 6, 143, 165, 240-253,
269/43, 140; D15/140

See application file for complete search history.

(56) **References Cited**

U.S. PATENT DOCUMENTS

1,512,097	A *	10/1924	Horechney	81/164
2,506,373	A *	5/1950	McClain	81/164
3,033,559	A *	5/1962	Lindholm	269/140
3,886,823	A *	6/1975	Gonzalez et al.	81/175
D252,255	S *	7/1979	Uyeda	D8/394
D280,285	S *	8/1985	Miller et al.	D8/72
D282,075	S *	1/1986	Schell	D8/71
D335,805	S *	5/1993	Ransom	D8/73
D354,211	S *	1/1995	Deaust	D8/72
D370,404	S *	6/1996	Baird	D8/355
D402,537	S *	12/1998	Lorenzana	D8/355
6,619,644	B1 *	9/2003	Liou	269/244
2003/0197319	A1 *	10/2003	Ho	269/246

* cited by examiner

Primary Examiner—T. Chase Nelson

Assistant Examiner—David G Muller

(74) *Attorney, Agent, or Firm*—Bachman & LaPointe, P.C.

(57) **CLAIM**

The ornamental design for a fastening unit, as shown and described.

DESCRIPTION

FIG. 1 is a perspective view of a fastening unit having the ornamental design of the present invention.

FIG. 2 is a first side view of the fastening unit of FIG. 1.

FIG. 3 is an opposite side view of the fastening unit of FIG. 1.

FIG. 4 is a top view of the fastening unit of FIG. 1.

FIG. 5 is a bottom view of the fastening unit of FIG. 1.

FIG. 6 is an end view of the fastening unit of FIG. 1, shown at a larger scale.

FIG. 7 is an opposite end view of the fastening unit of FIG. 1, shown at a larger scale.

FIG. 8 is a perspective view of part of the fastening unit of FIG. 1.

FIG. 9 is a view from a first side of the part of FIG. 8.

FIG. 10 is a view from an opposite side of the part of FIG. 8.

FIG. 11 is an end view of the part of FIG. 8, shown at a larger scale.

FIG. 12 is an opposite end view of the part of FIG. 8, shown at a larger scale;

FIG. 13 is a perspective view of a part of the fastening unit of FIG. 1.

FIG. 14 is a view from a first side of the part of FIG. 13.

FIG. 15 is a view from an opposite side of the part of FIG. 13.

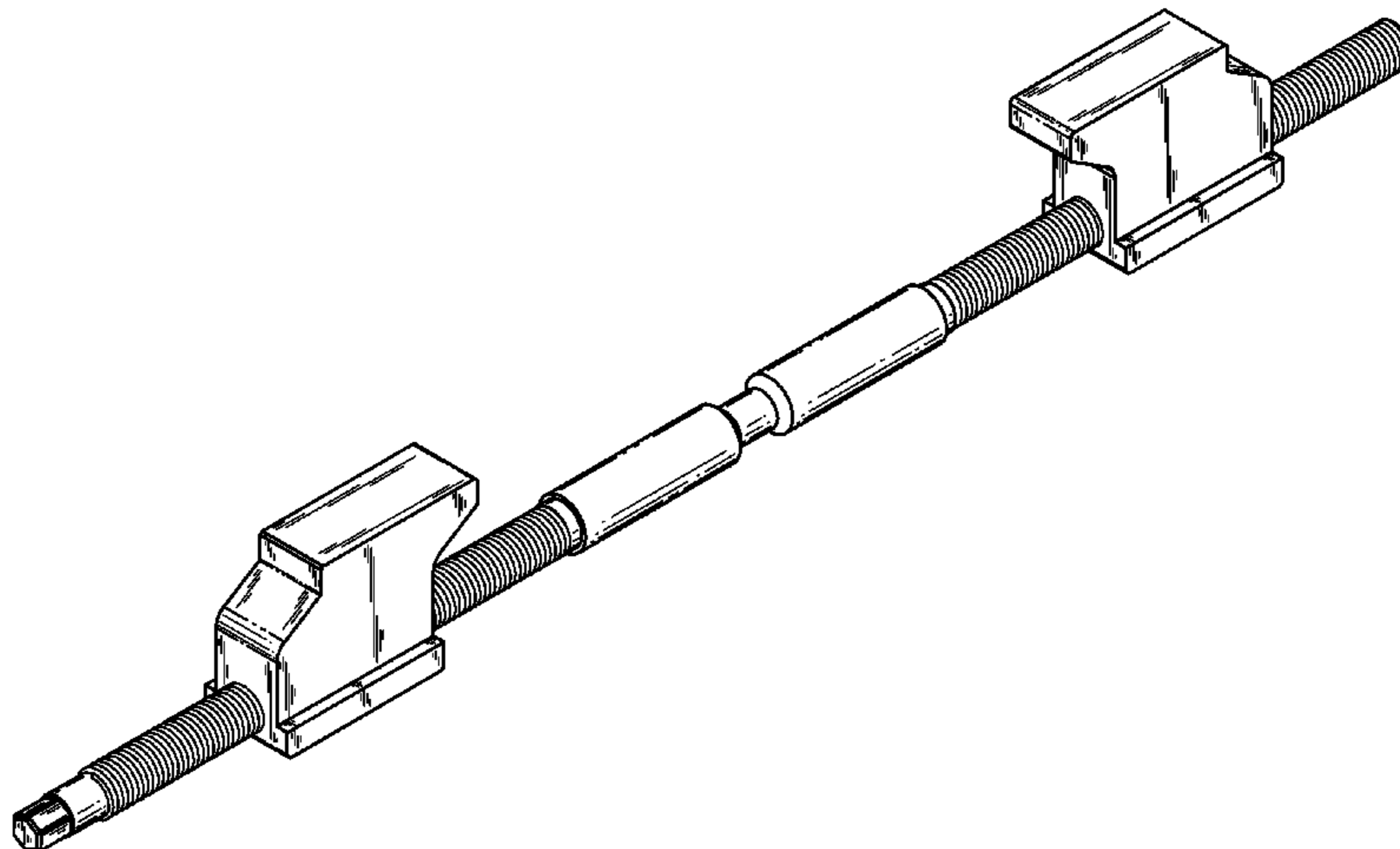
FIG. 16 is a top view of the part of FIG. 13.

FIG. 17 is a bottom view of the part of FIG. 13.

FIG. 18 is an end view of the part of FIG. 13; and,

FIG. 19 is an opposite end view of the part of FIG. 13.

1 Claim, 9 Drawing Sheets



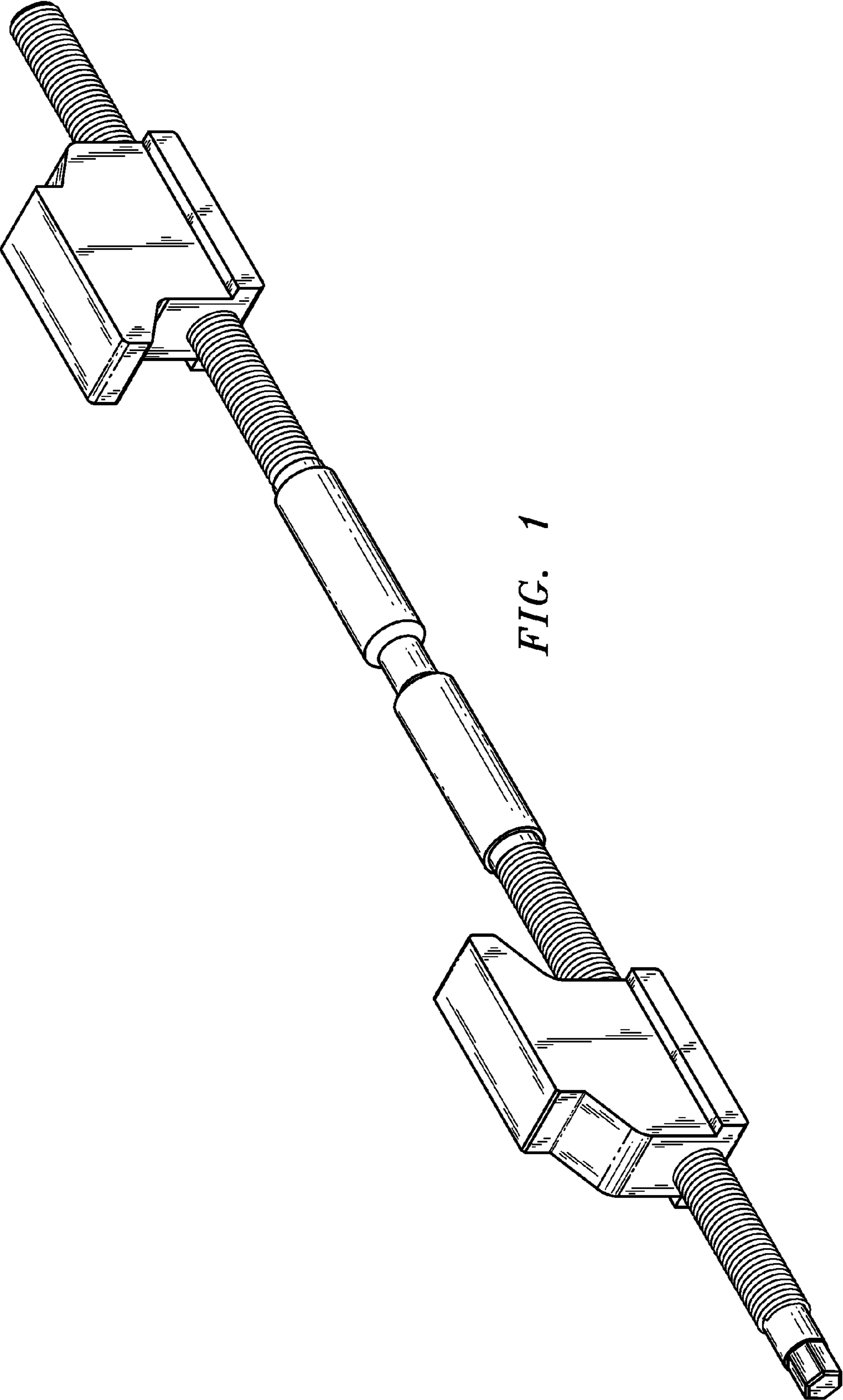


FIG. 1

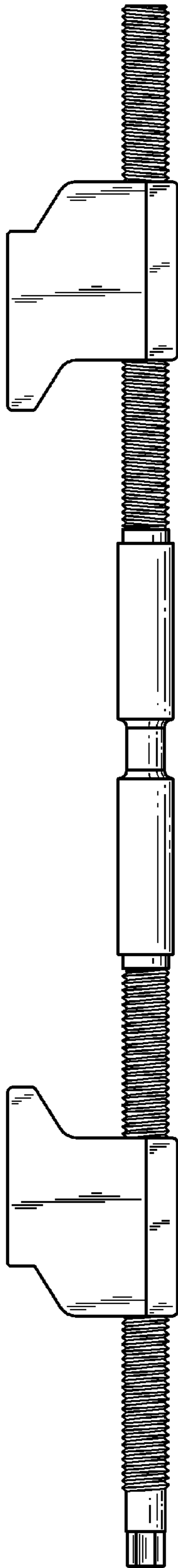


FIG. 2

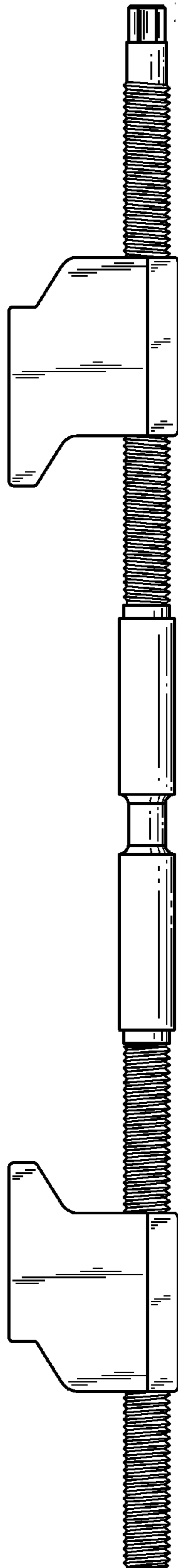


FIG. 3

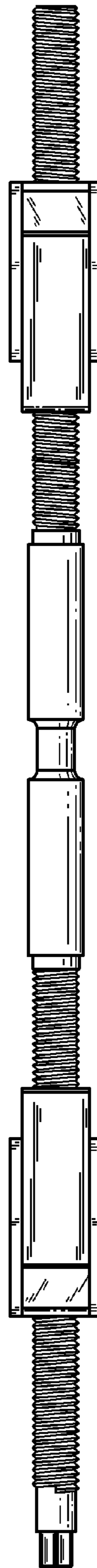


FIG. 4

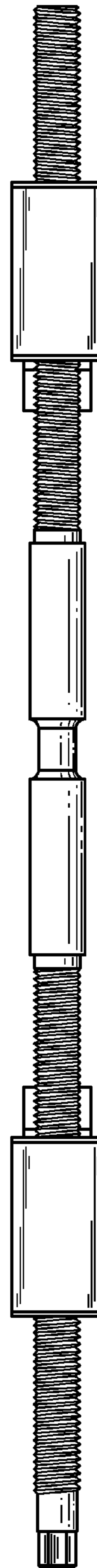


FIG. 5

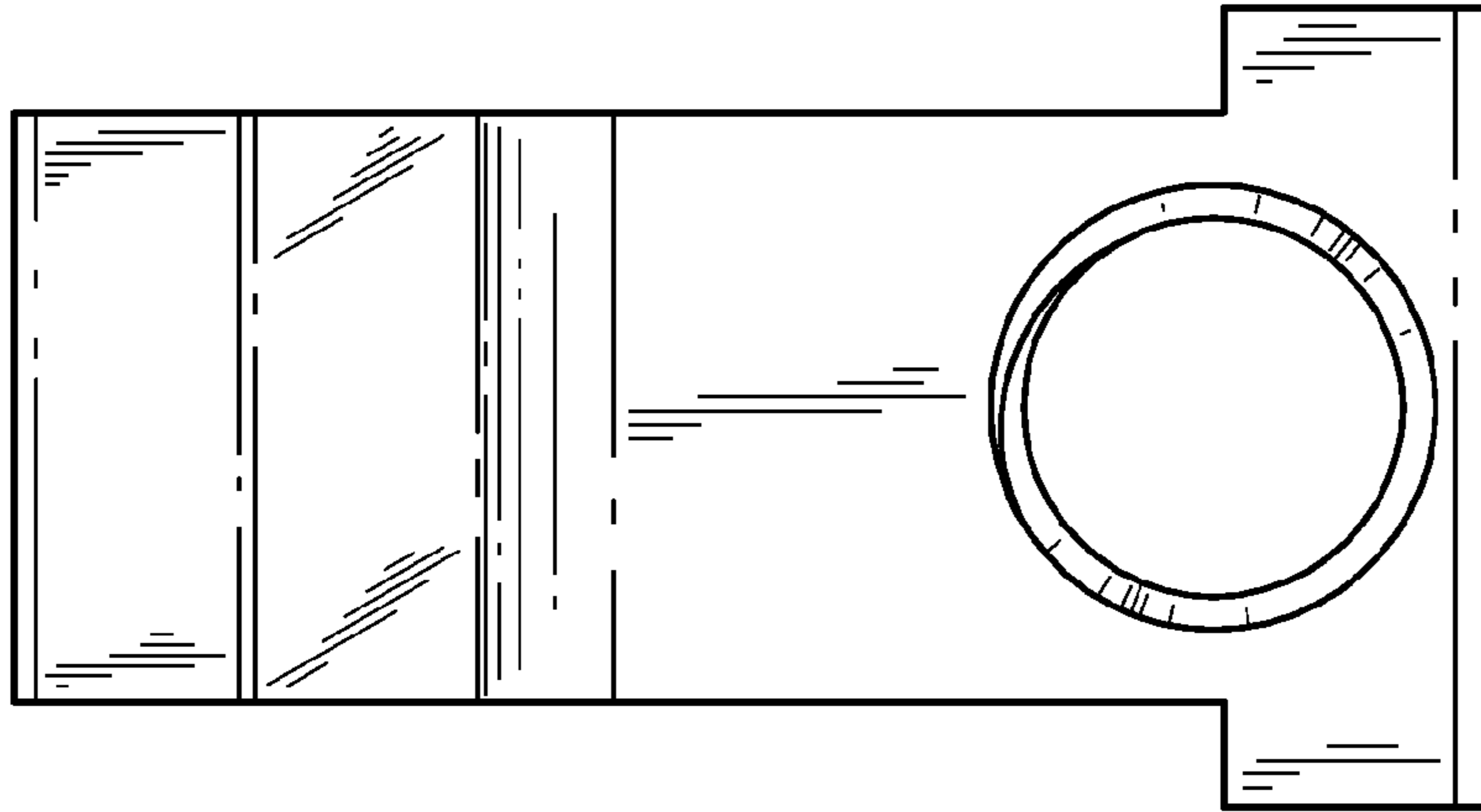


FIG. 7

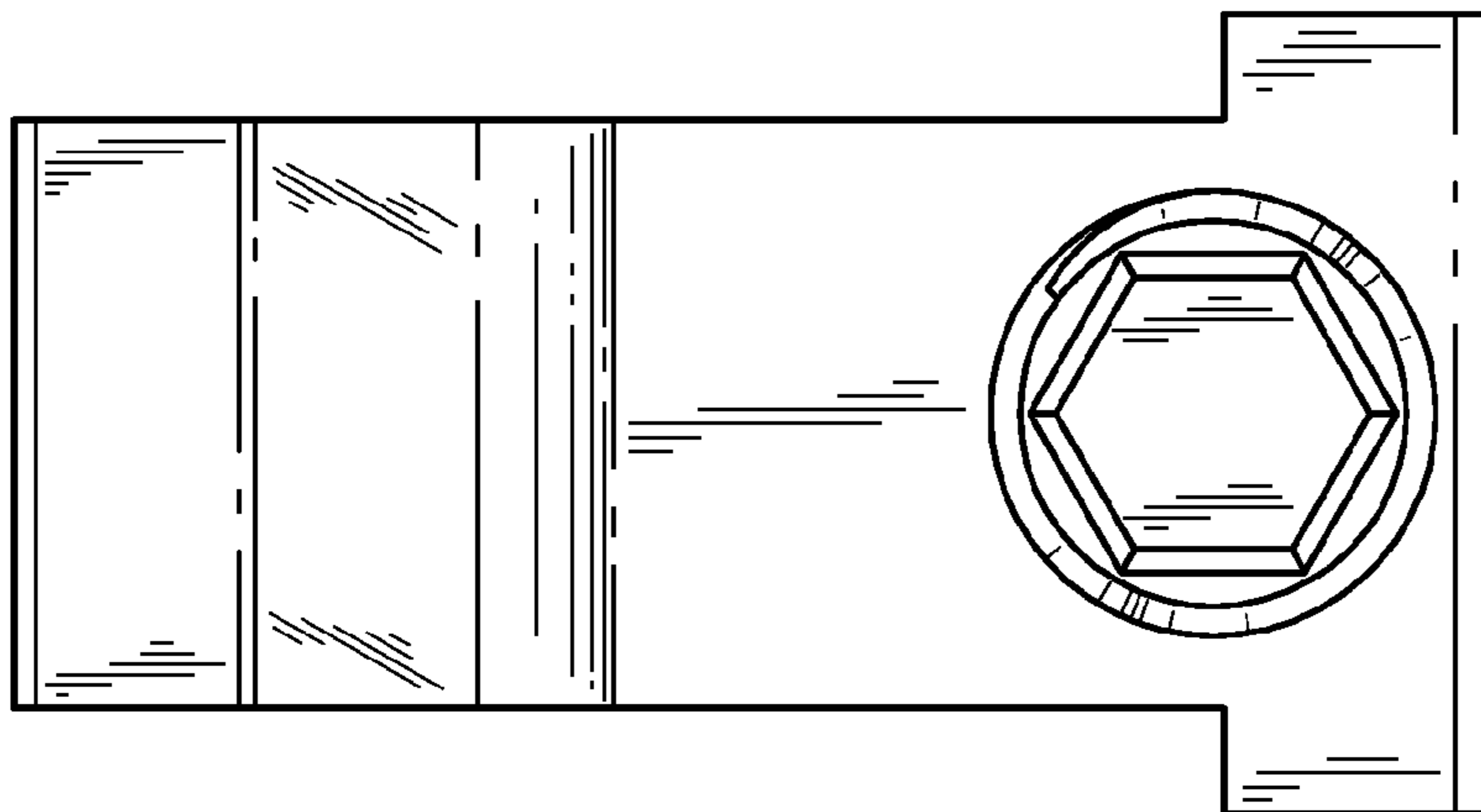


FIG. 6

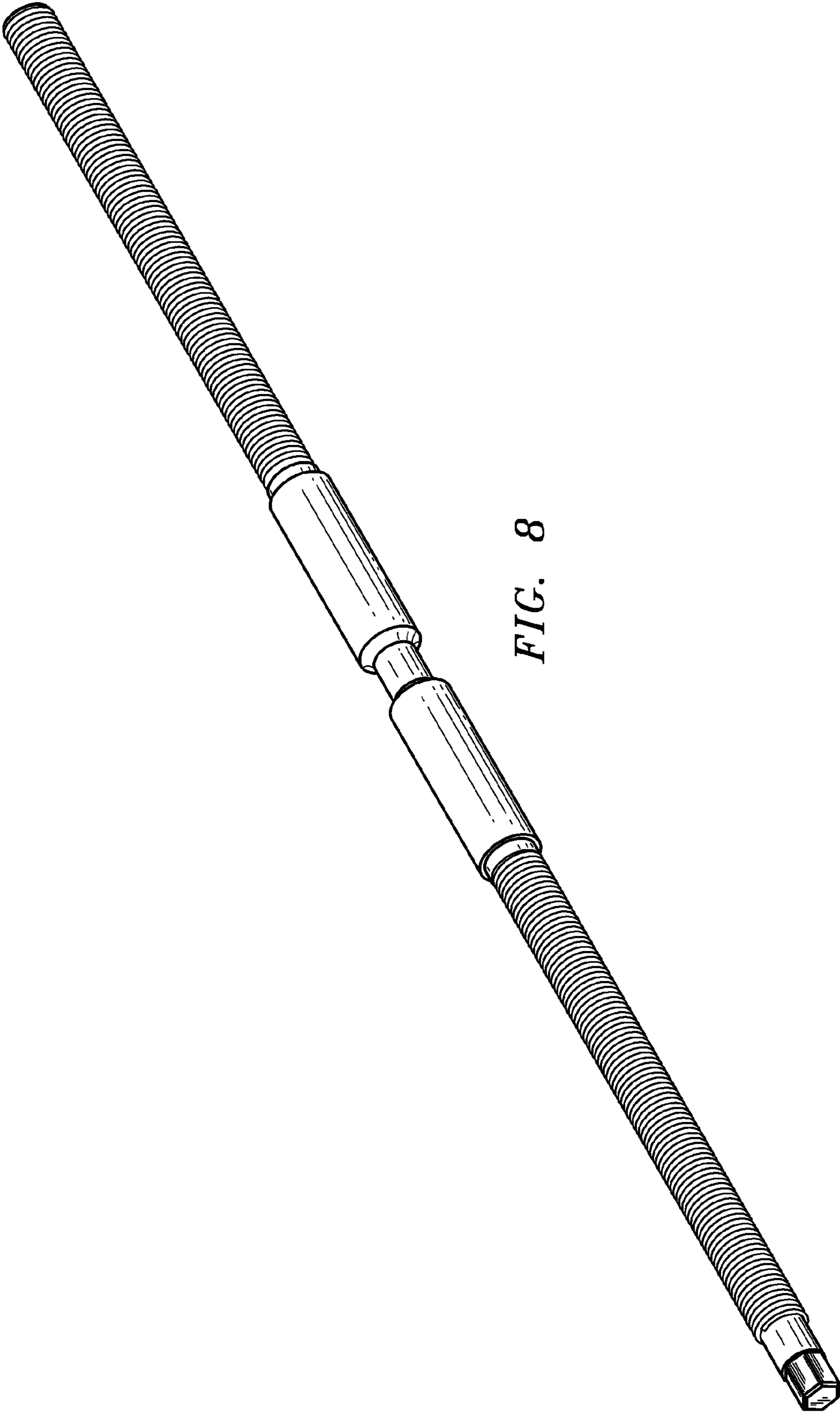


FIG. 8



FIG. 9



FIG. 10

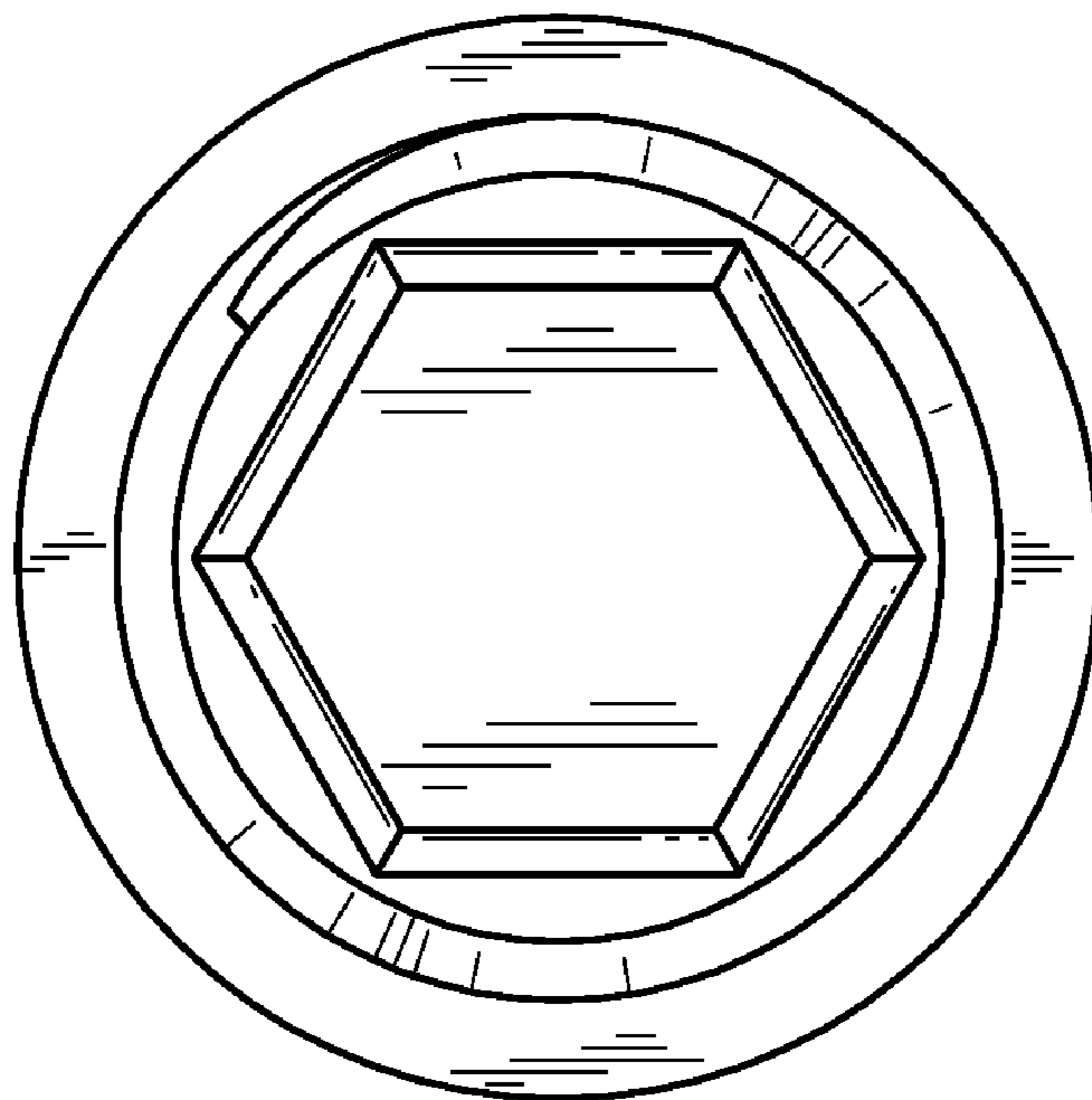


FIG. 11

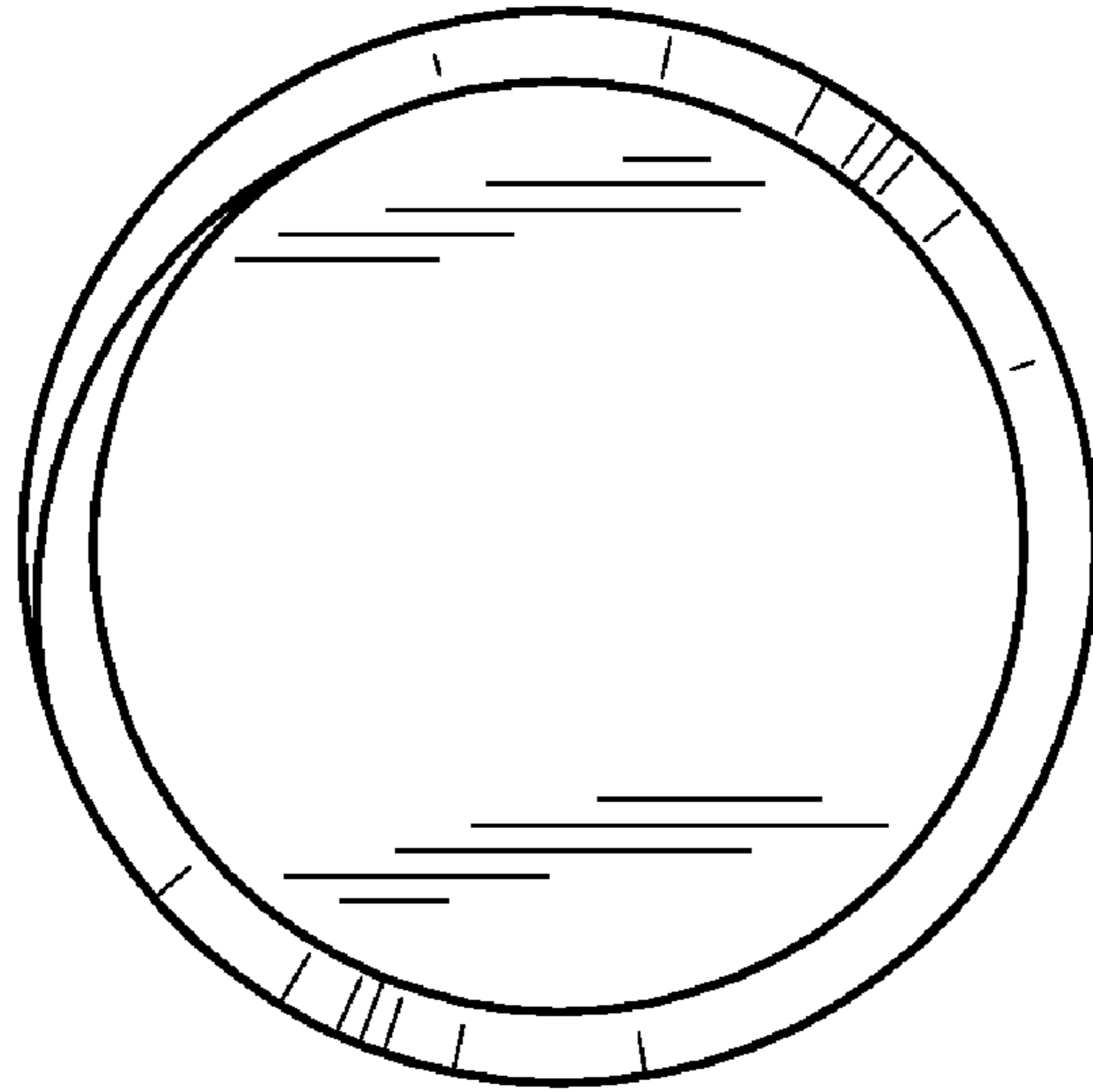


FIG. 12

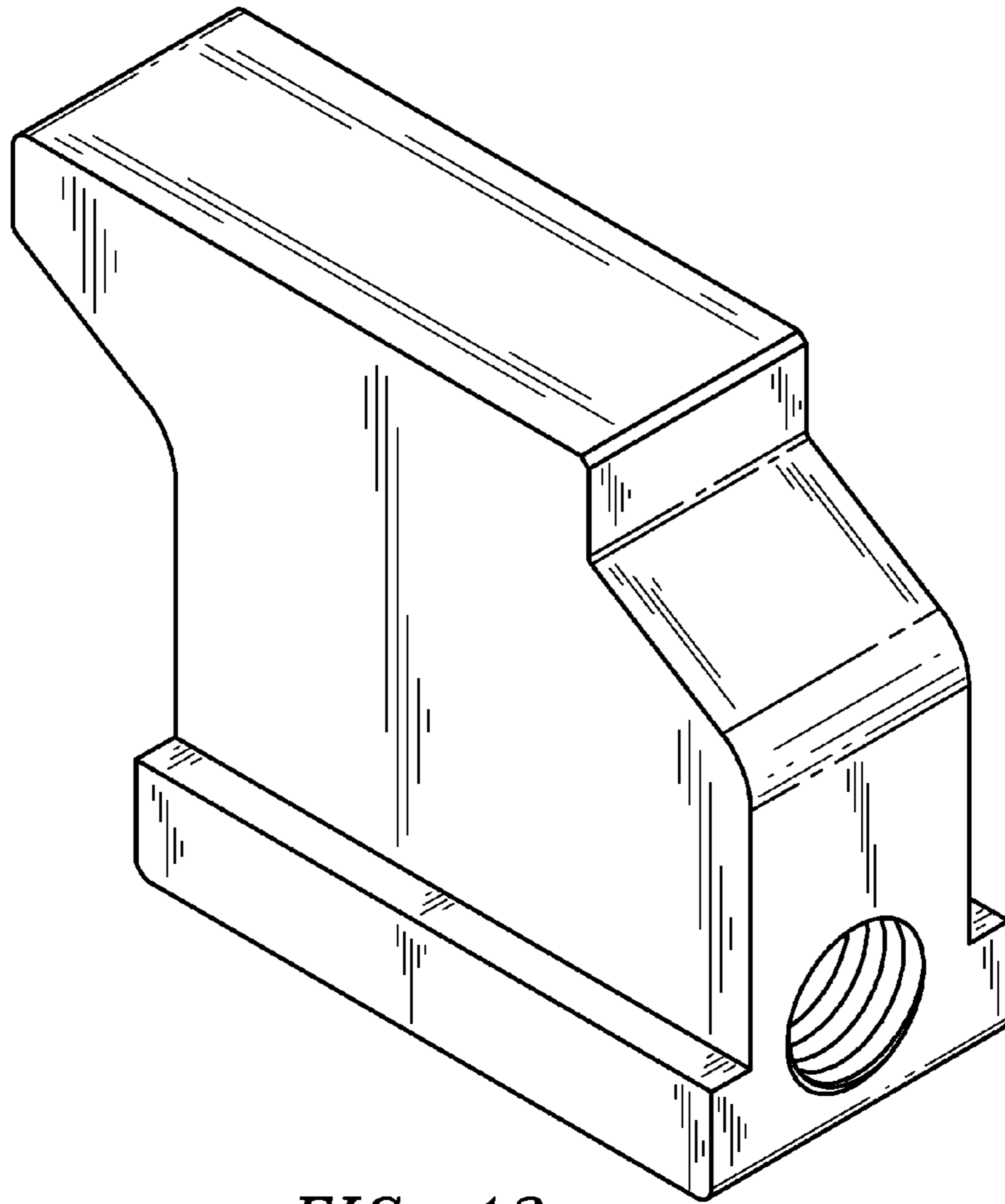


FIG. 13

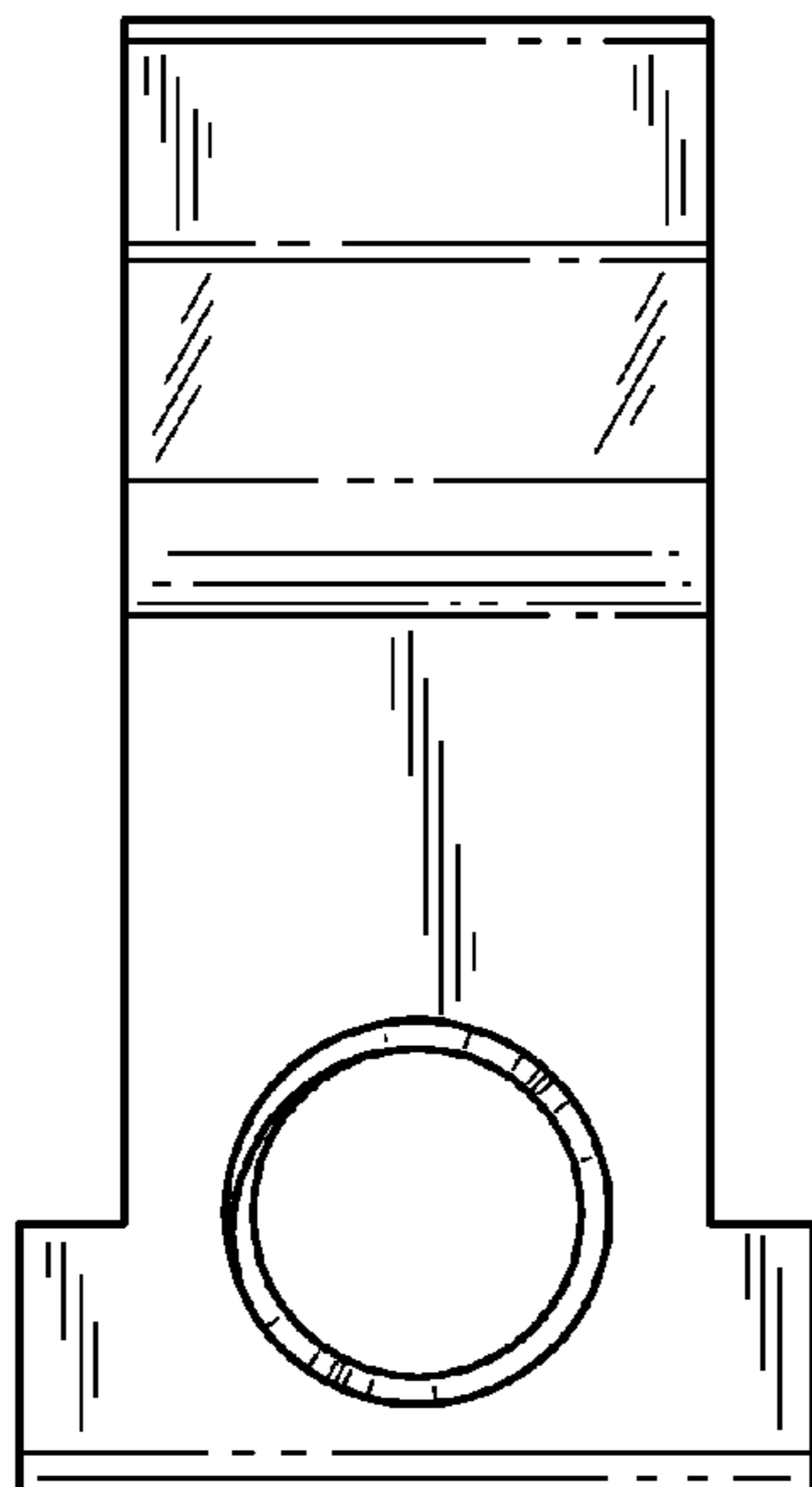


FIG. 18

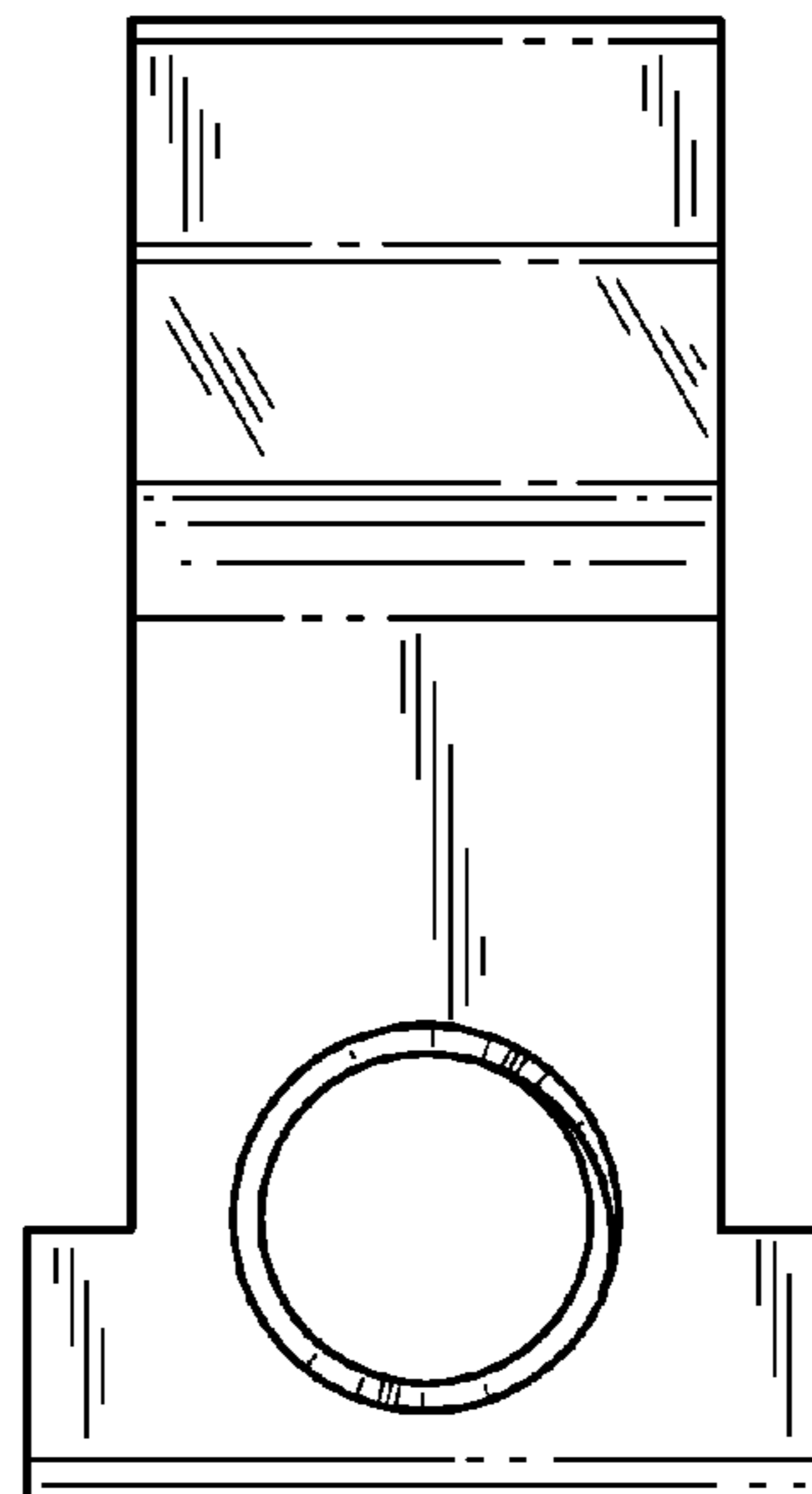


FIG. 19

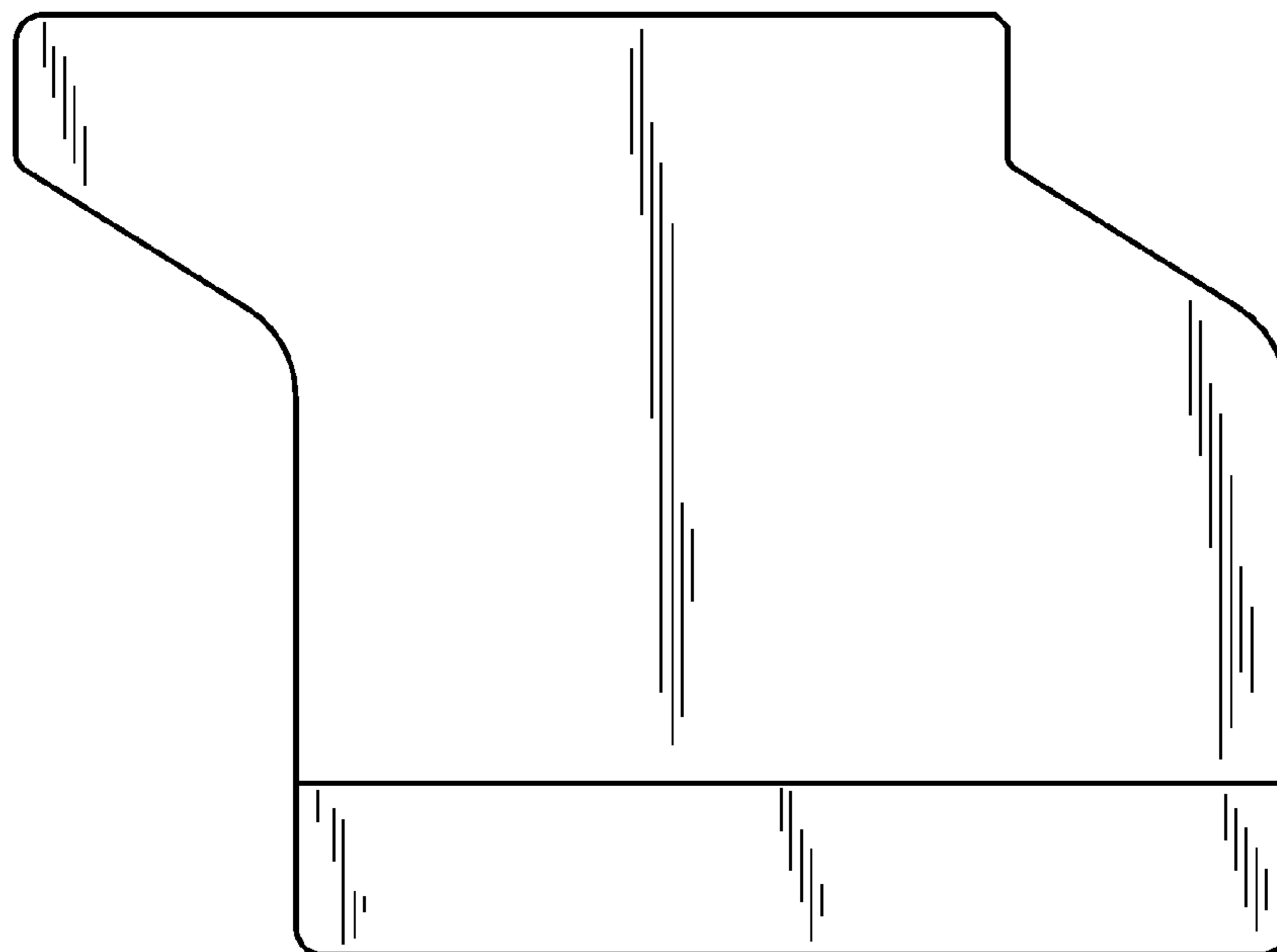


FIG. 14

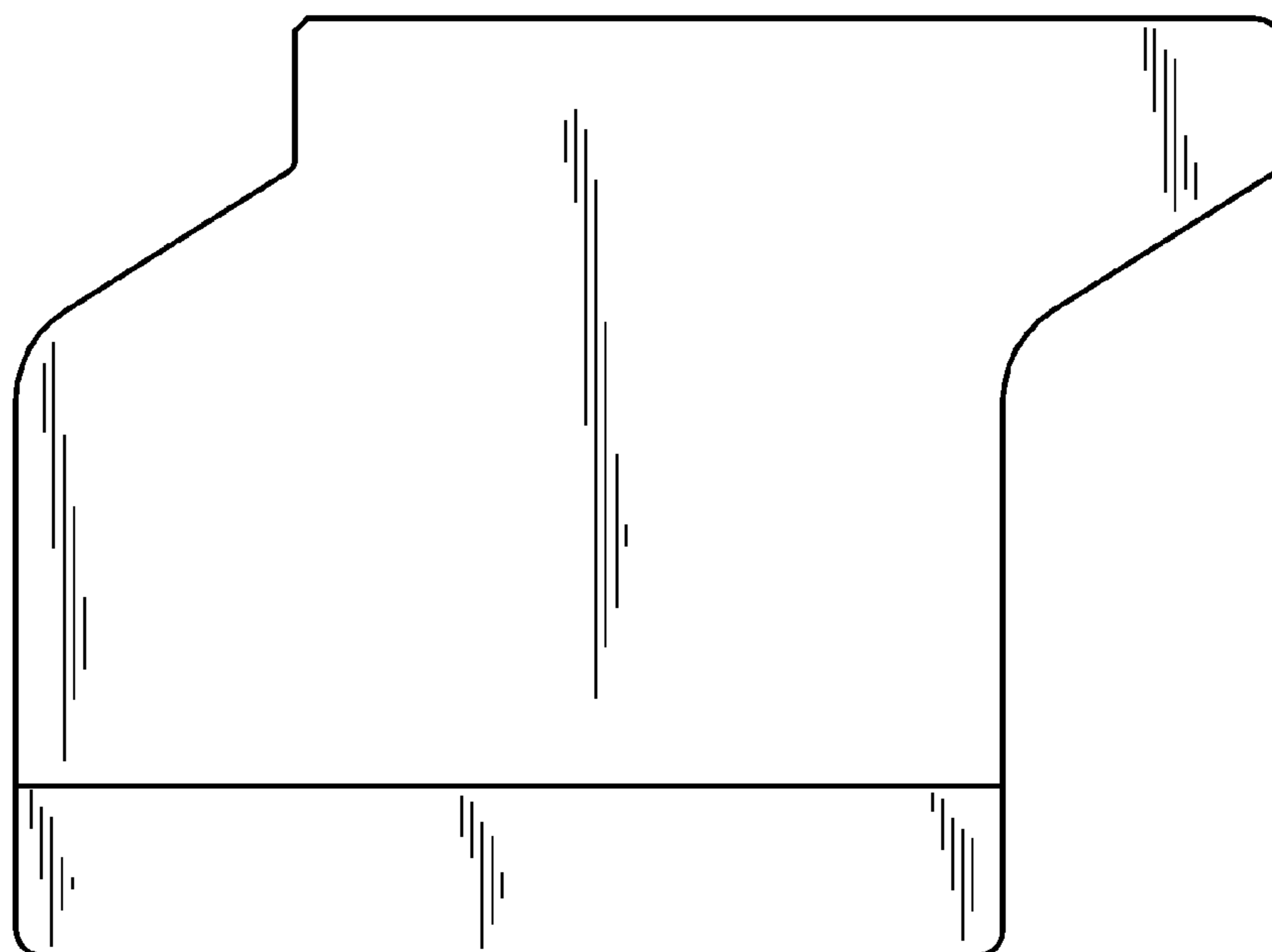


FIG. 15

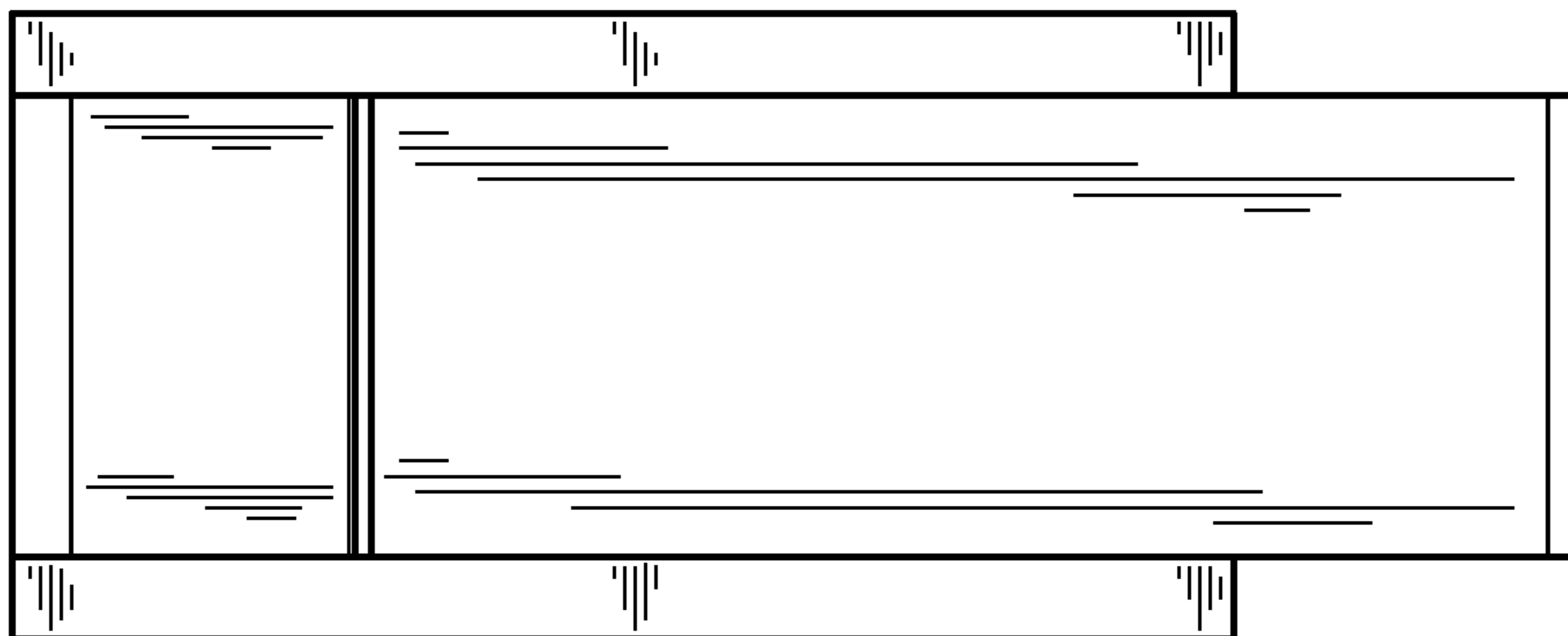


FIG. 16

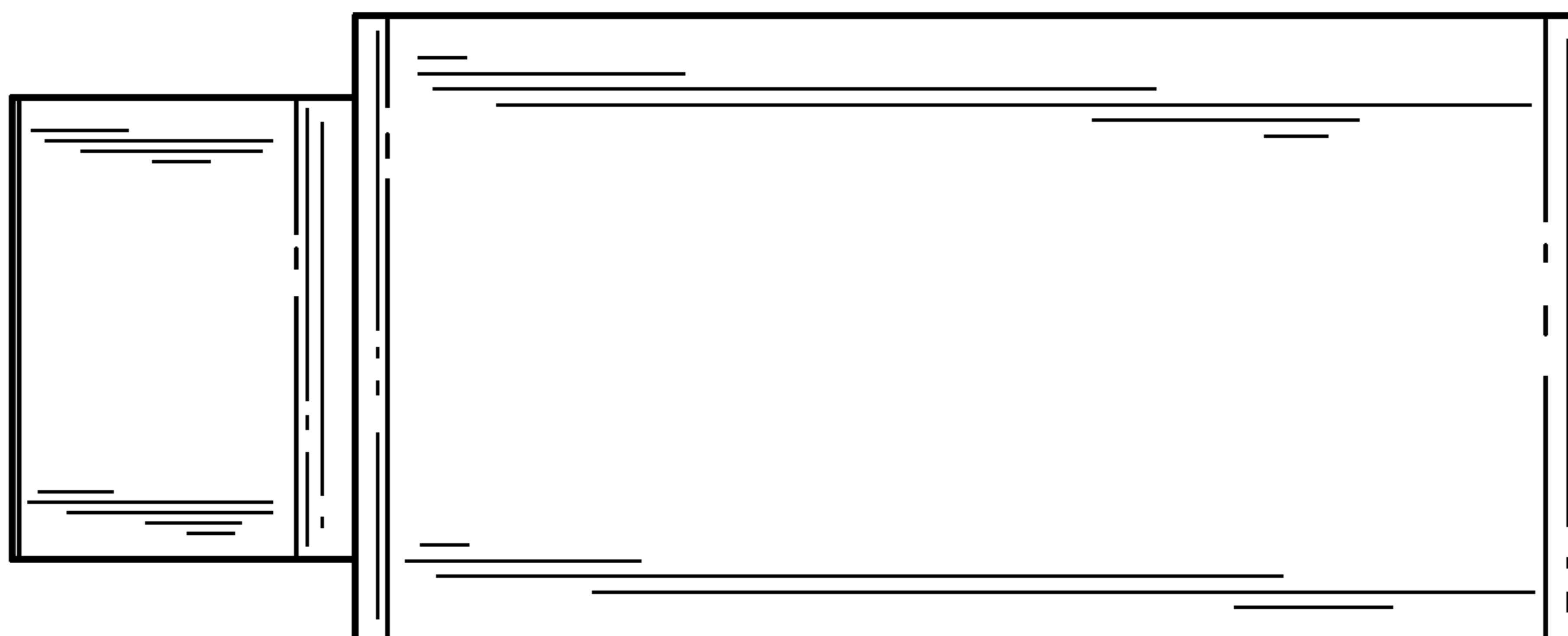


FIG. 17