



US00D592480S

(12) **United States Design Patent**
Sun et al.

(10) **Patent No.:** **US D592,480 S**

(45) **Date of Patent:** **** May 19, 2009**

(54) **BENT HEAD OF A PNEUMATIC TOOL**

D511,954 S * 11/2005 Heun D8/62
D580,248 S * 11/2008 Rane et al. D8/61

(75) Inventors: **Yung-Yung Sun**, Dali (TW); **Chuan Ching Cheng**, Taichung (TW)

* cited by examiner

(73) Assignee: **Storm Pneumatic Tool Co., Ltd.**, Dali, Taichung County 412 (TW)

Primary Examiner—Holly H Baynham
Assistant Examiner—Cynthia M Chin

(**) Term: **14 Years**

(57) **CLAIM**

(21) Appl. No.: **29/300,715**

The ornamental design for a bent head of a pneumatic tool, as shown and described.

(22) Filed: **Apr. 30, 2008**

DESCRIPTION

(51) **LOC (9) Cl.** **08-01**

FIG. 1 is a perspective view of a bent head of a pneumatic tool showing my new design;

(52) **U.S. Cl.** **D8/70**

FIG. 2 is a front elevational view thereof;

(58) **Field of Classification Search** D8/8,
D8/61, 62, 64, 68, 70; 81/57, 57.11, 57.14,
81/57.26, 429, 464, 469; 173/2, 170, 176,
173/181; D15/130, 138

FIG. 3 is a rear elevational view thereof;

FIG. 4 is a left side view thereof;

See application file for complete search history.

FIG. 5 is a right side view thereof;

FIG. 6 is a top plan view thereof;

FIG. 7 is a bottom plan view thereof;

(56) **References Cited**

U.S. PATENT DOCUMENTS

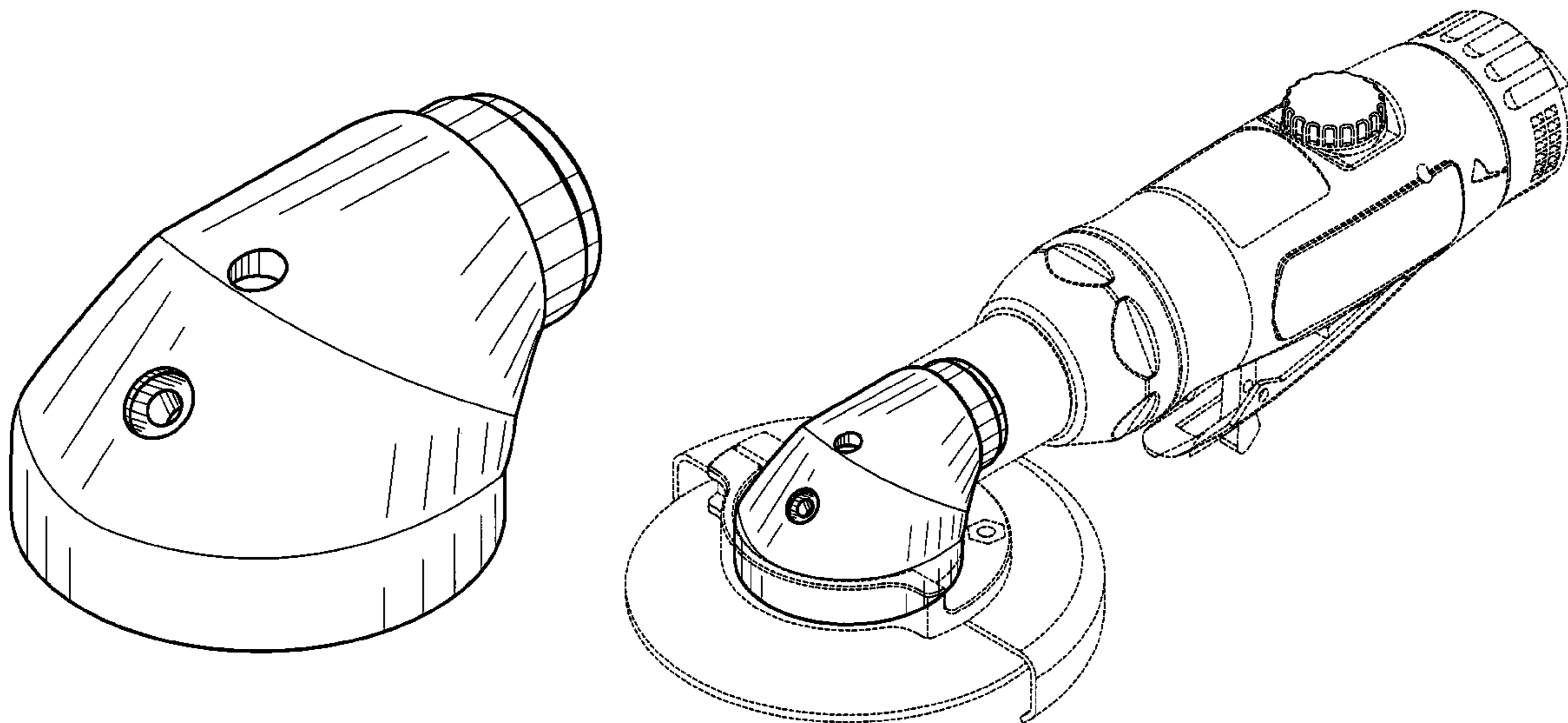
D244,744 S	*	6/1977	Bunyea	D8/8
D336,228 S	*	6/1993	Anderson et al.	D8/61
D408,241 S	*	4/1999	Jansson	D8/61
D413,245 S	*	8/1999	Robson	D8/70
D459,181 S	*	6/2002	Morgan	D8/68
D464,857 S	*	10/2002	Morgan	D8/62
D465,229 S	*	11/2002	Hole et al.	D15/130
D468,173 S	*	1/2003	Morgan	D8/61
D492,176 S	*	6/2004	Chen	D8/61
D499,000 S	*	11/2004	Chen	D8/61

FIG. 8 is a reduced perspective view of the bent head of a pneumatic head in use; and,

FIG. 9 is another reduced perspective view of the bent head of a pneumatic head in use.

The broken lines showing the pneumatic tool in FIGS. 8 and 9 represents the environment in which the design resides and forms no part of the claimed design.

1 Claim, 9 Drawing Sheets



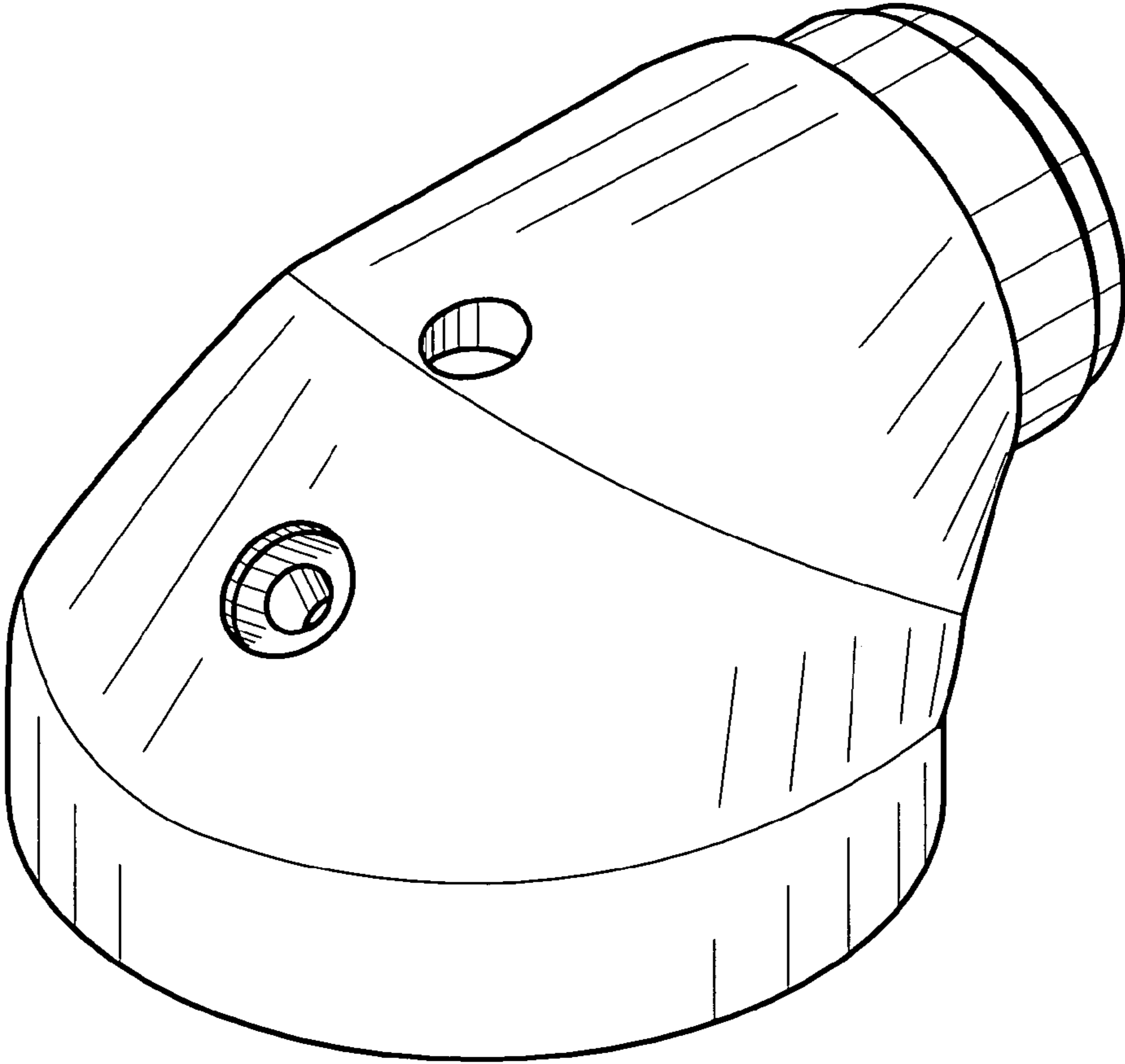


FIG. 1

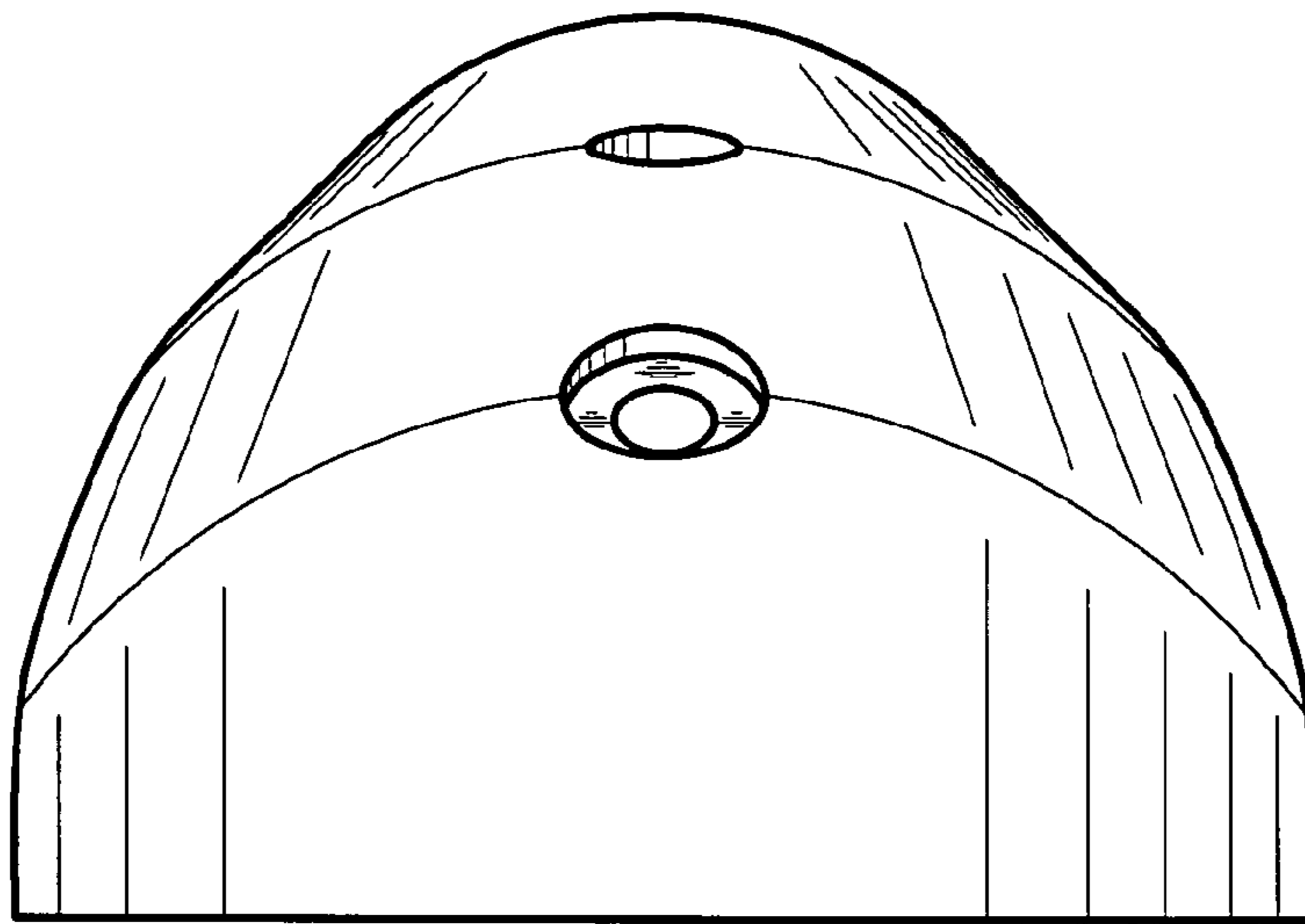


FIG. 2

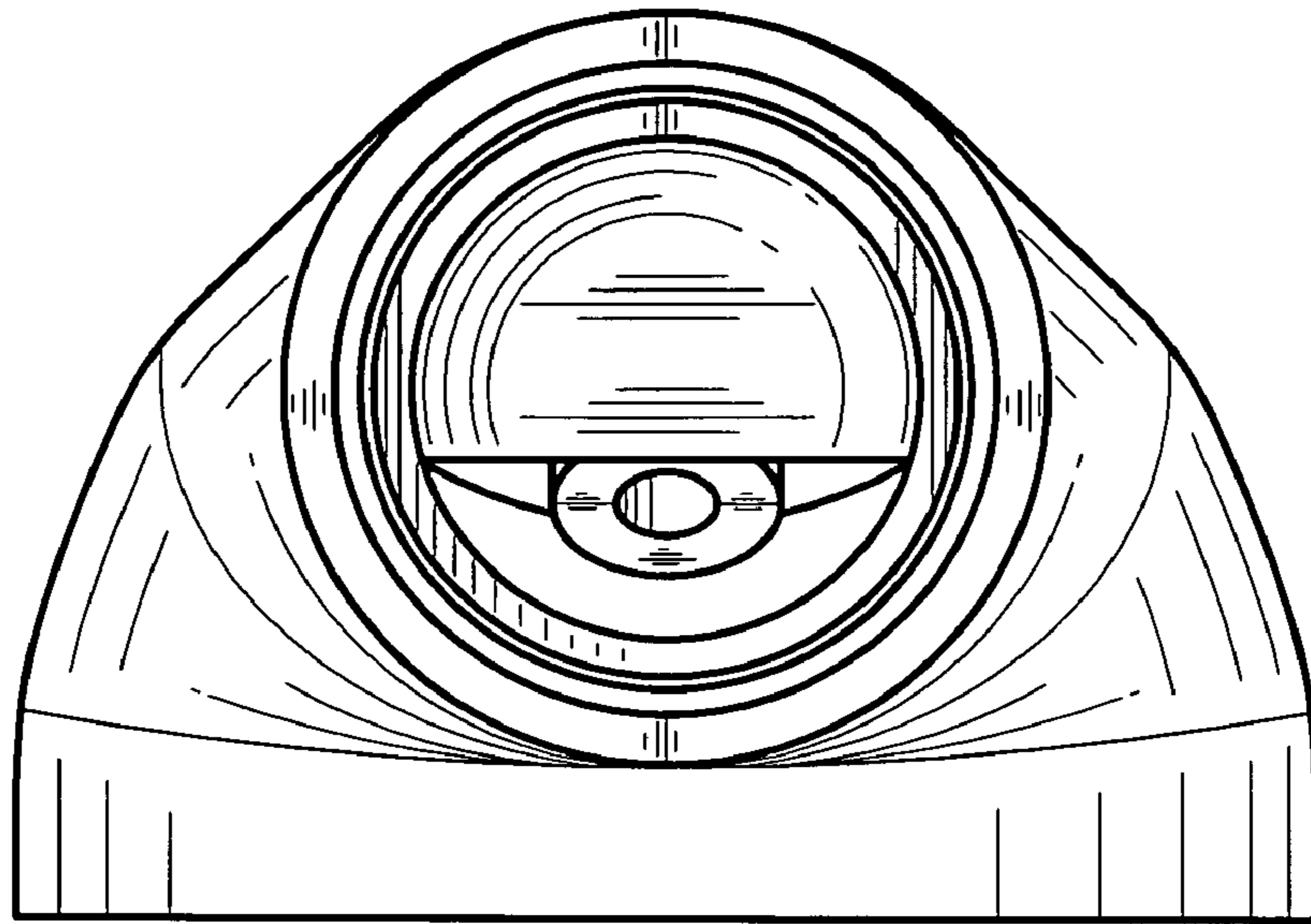


FIG. 3

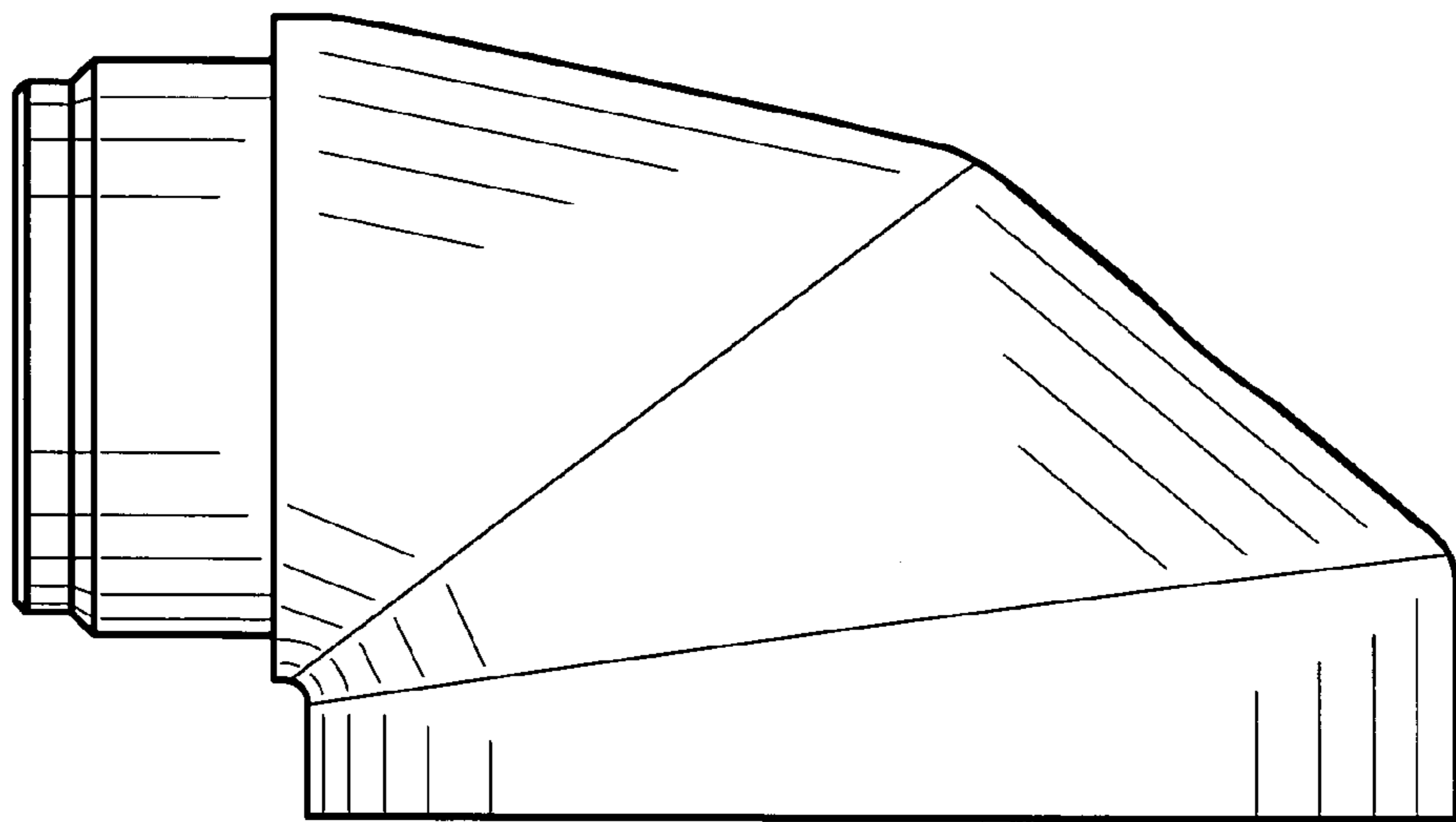


FIG. 4

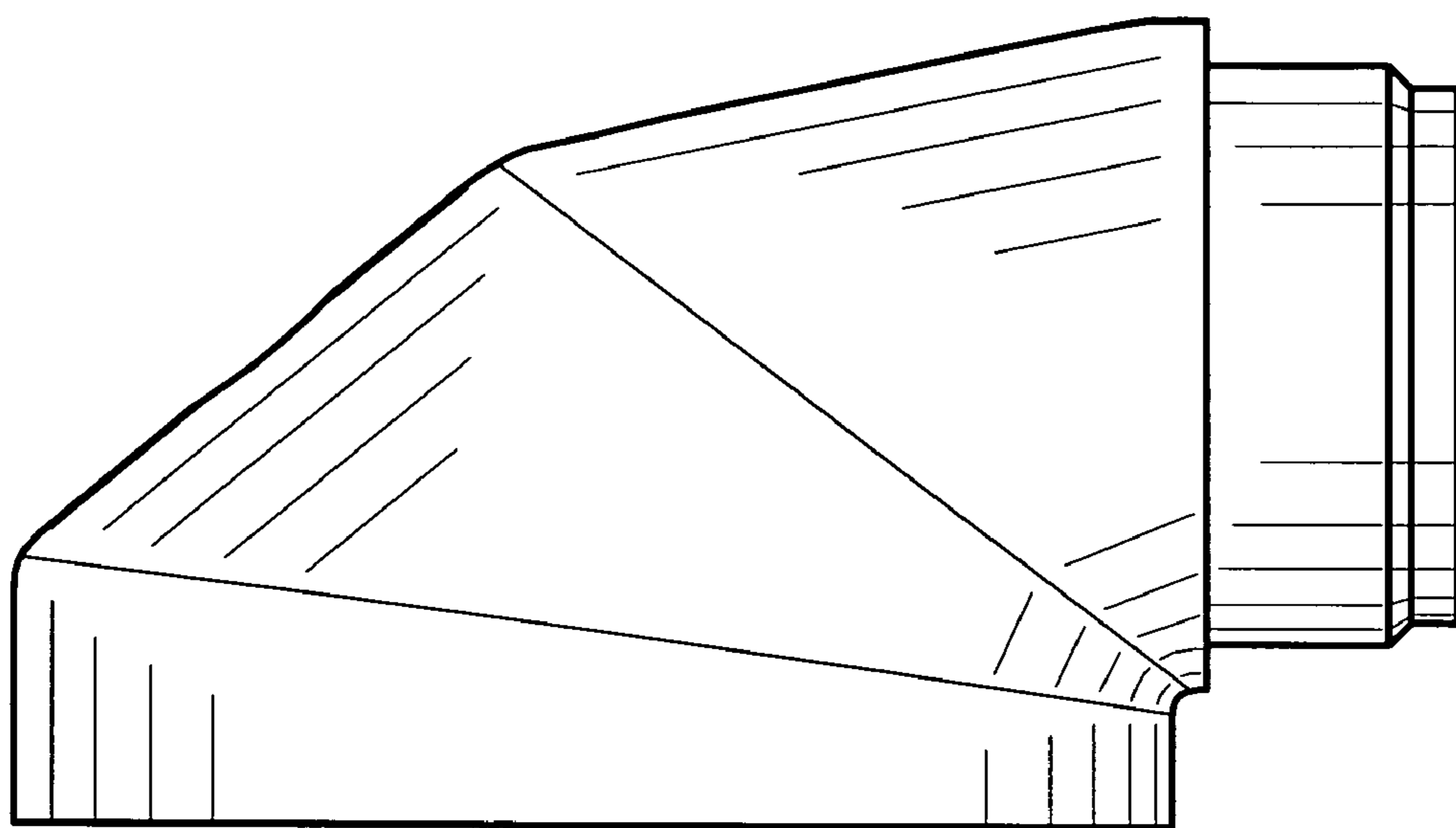


FIG. 5

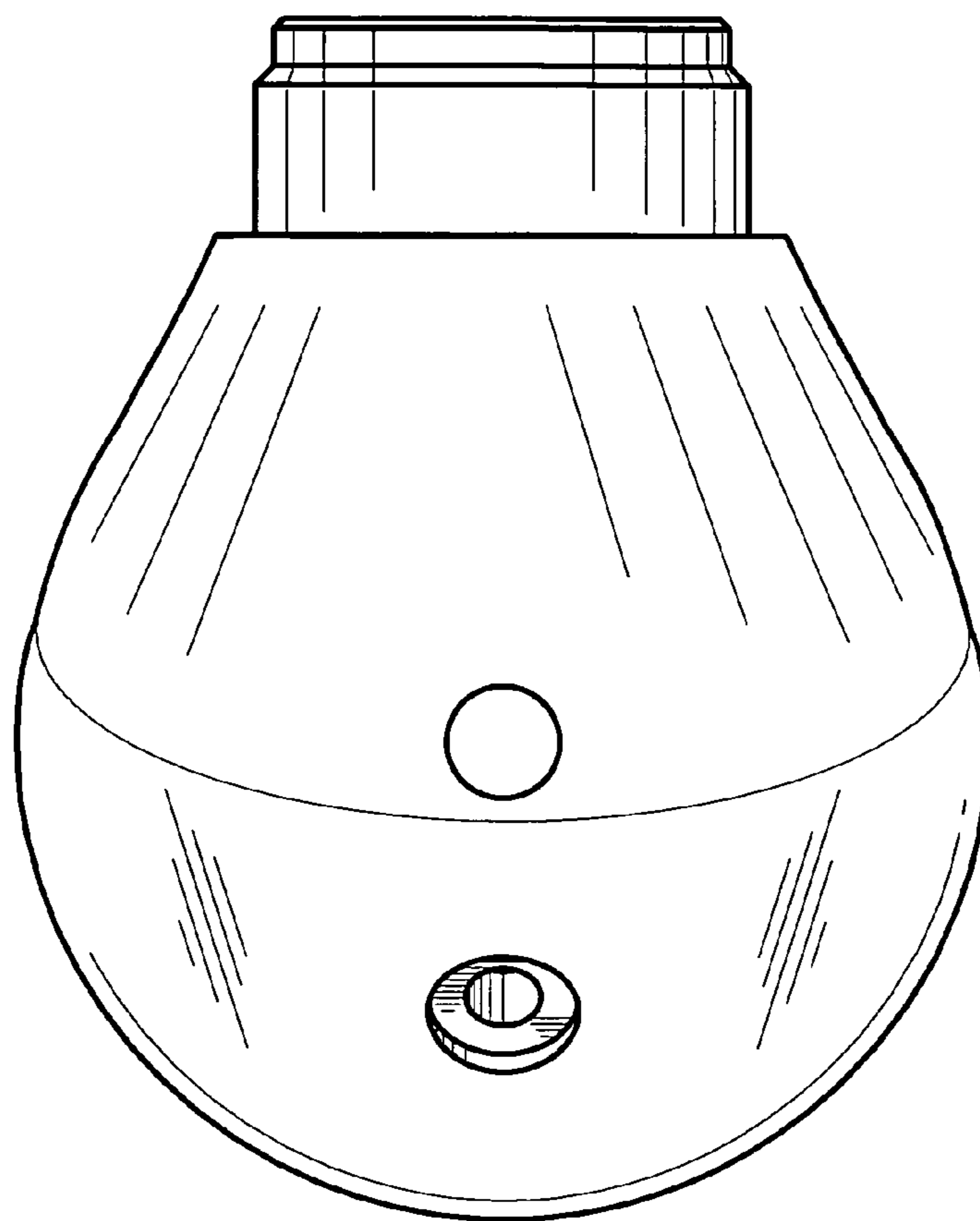


FIG. 6

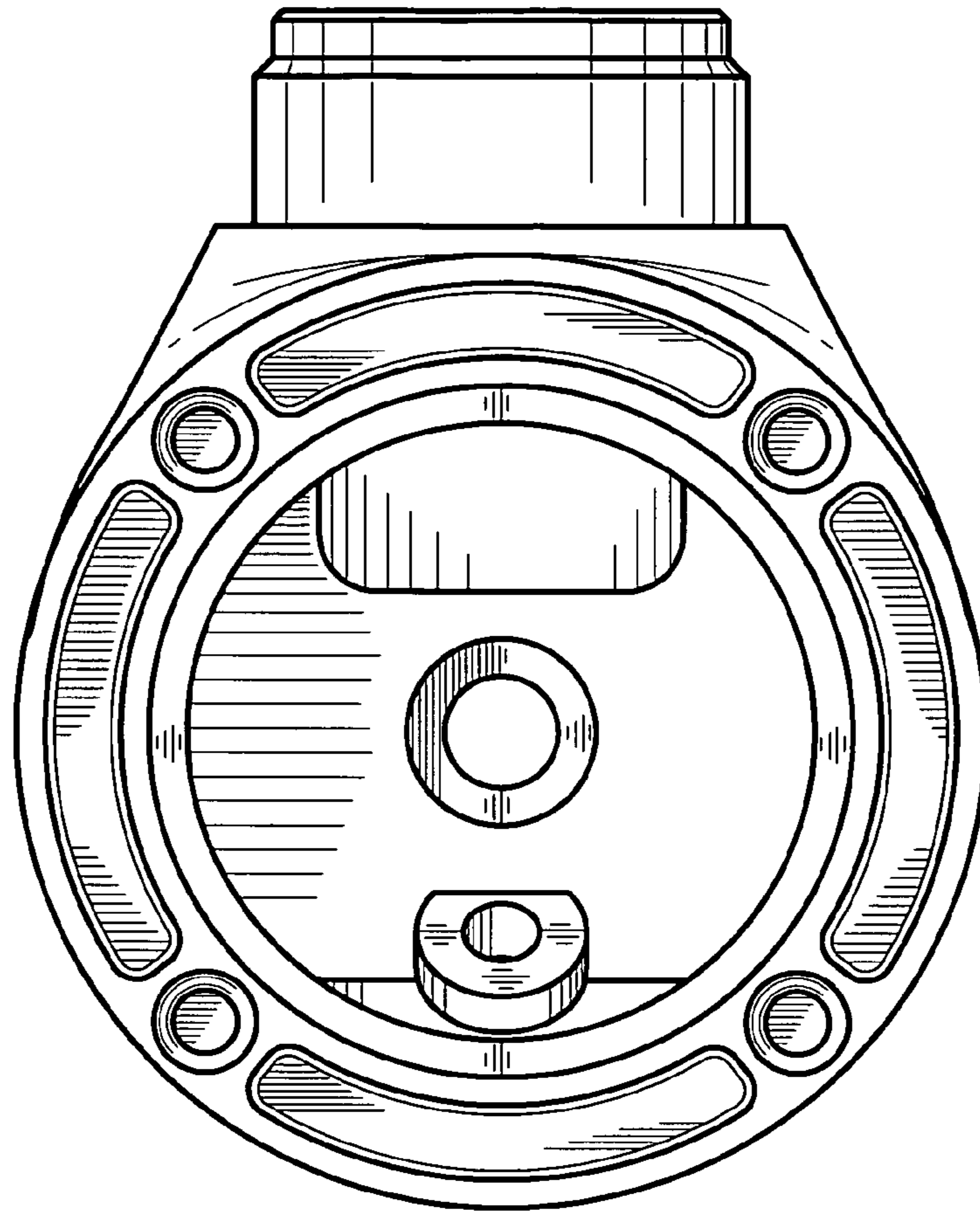


FIG. 7

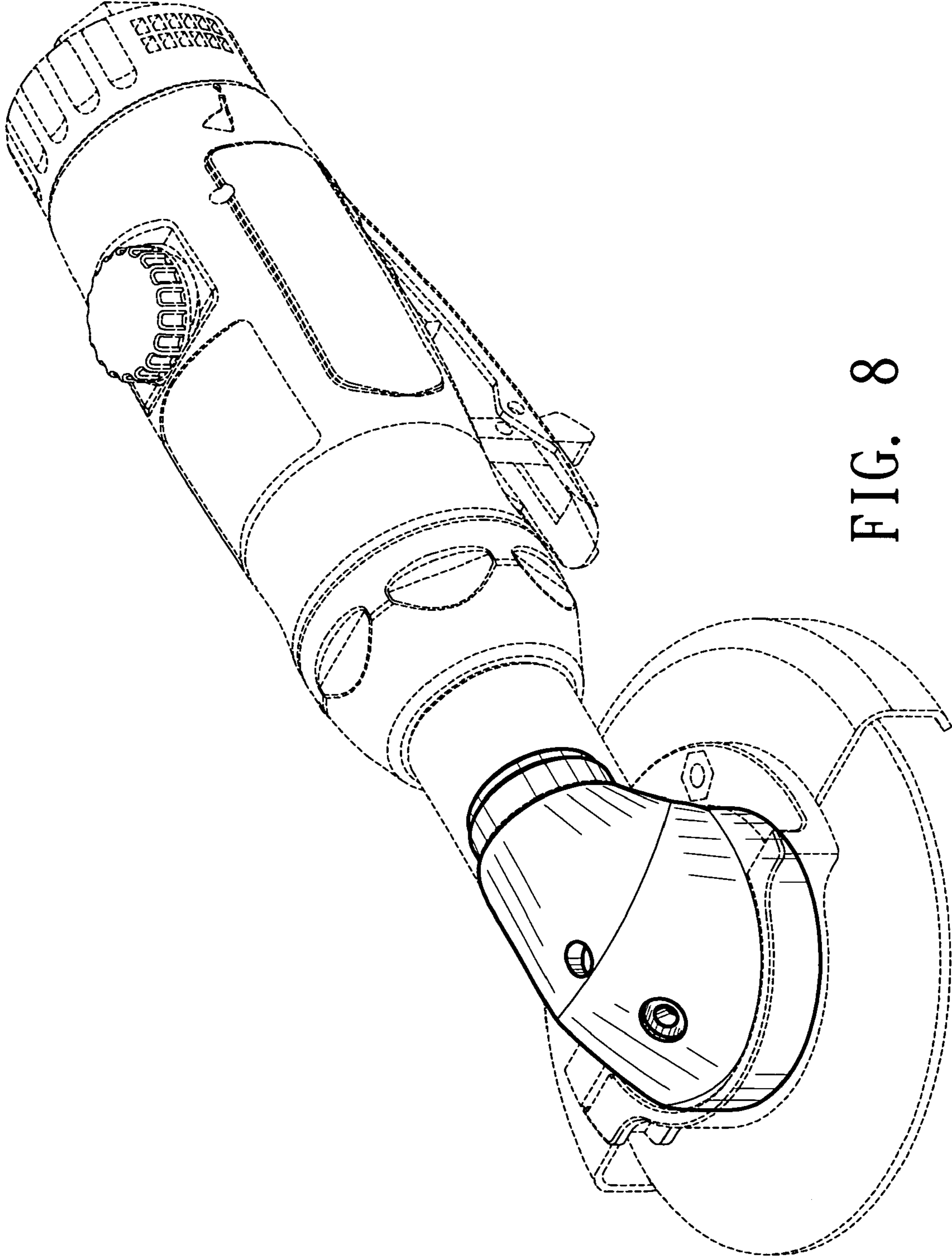


FIG. 8

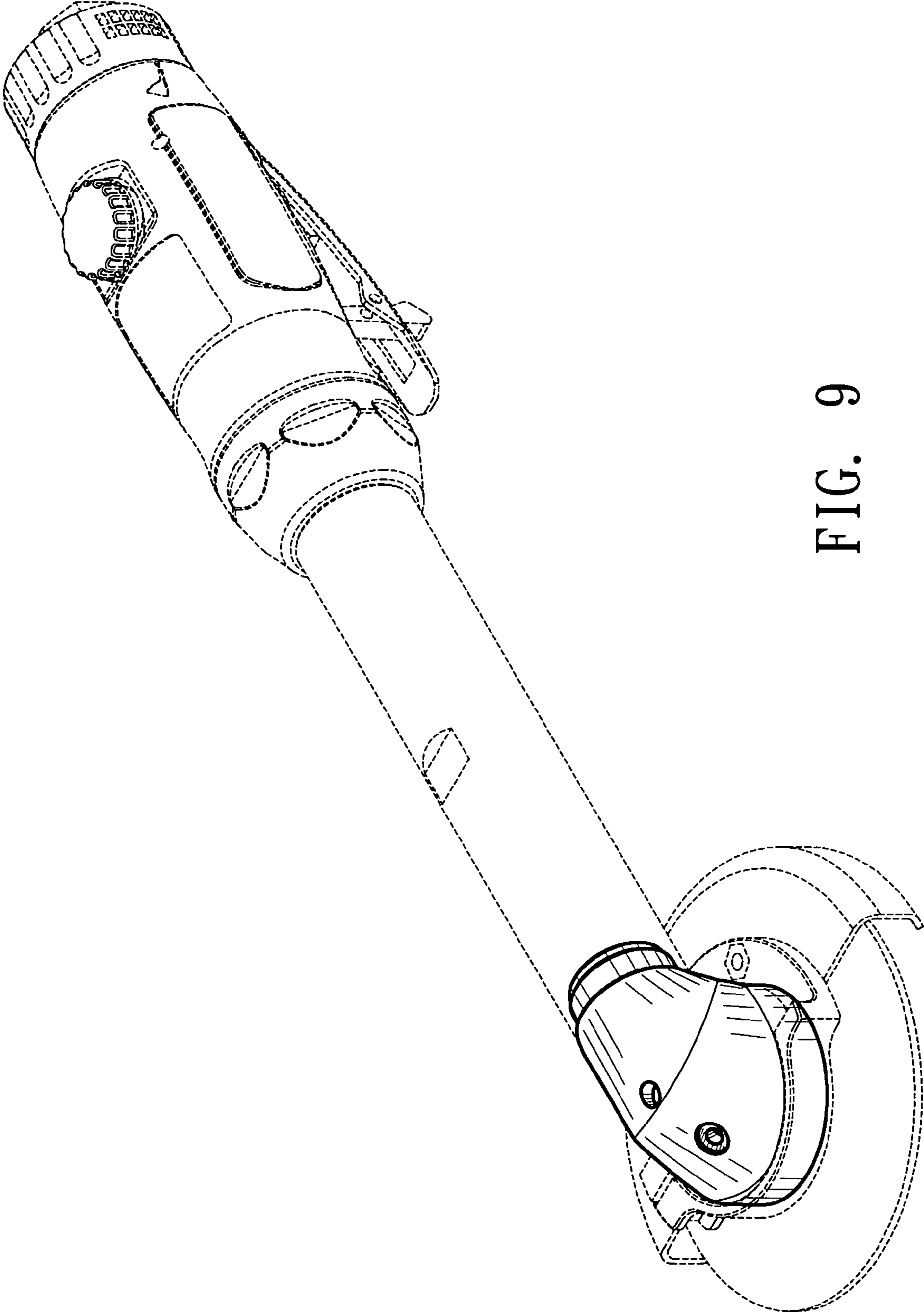


FIG. 9