



US00D592479S

(12) **United States Design Patent**
Price et al.

(10) **Patent No.:** **US D592,479 S**
(45) **Date of Patent:** **** May 19, 2009**

- (54) **PORTABLE TOOL HOUSING HAVING ELONGATED SEMI-ELLIPTICAL SHAPED ACCENTS**
- (75) Inventors: **Scott David Price**, Lebanon, NJ (US);
Nheeda Enriquez, Jersey City, NJ (US)
- (73) Assignee: **Ingersoll-Rand Company**, Montvale, NJ (US)
- (**) Term: **14 Years**
- (21) Appl. No.: **29/260,790**
- (22) Filed: **May 31, 2006**
- (51) **LOC (9) Cl.** **08-03**
- (52) **U.S. Cl.** **D8/70**
- (58) **Field of Classification Search** D8/61-71,
D8/90, 363; D15/124-126, 138-140; 172/371,
172/379, 380; 173/13, 104, 114, 168-171,
173/213, 217, 93.5, 170
See application file for complete search history.

(56) **References Cited**

U.S. PATENT DOCUMENTS

2,469,857	A	5/1949	Allyn
3,757,194	A	9/1973	Weber et al.
4,032,806	A	6/1977	Seely
4,447,749	A	5/1984	Reeb, Jr. et al.
4,616,169	A	10/1986	Proffitt
4,709,974	A	12/1987	Hawkins
4,751,452	A	6/1988	Kilmer et al.
4,779,687	A	10/1988	Schreiber et al.
4,835,410	A	5/1989	Bhagwat et al.
4,871,629	A	10/1989	Bunyea
5,089,738	A	2/1992	Bergqvist et al.
5,213,913	A	5/1993	Anthony, III et al.
5,445,900	A	8/1995	Miller, Jr. et al.
5,553,675	A	9/1996	Pitzen et al.
5,671,815	A	9/1997	Kabatnik et al.

(Continued)

Primary Examiner—T. Chase Nelson
Assistant Examiner—Karen Acker
(74) *Attorney, Agent, or Firm*—RatnerPrestia

(57) **CLAIM**

The ornamental design for portable tool housing having elongated semi-elliptical shaped accents, as shown and described.

DESCRIPTION

FIG. 1 is a perspective view of portable tool housing having elongated semi-elliptical shaped accents according to an embodiment of the present invention;

FIG. 2 is a left side view of the portable tool housing having elongated semi-elliptical shaped accents shown in FIG. 1;

FIG. 3 is a rear elevation view of the portable tool housing having elongated semi-elliptical shaped accents shown in FIG. 1;

FIG. 4 is a right side view of the portable tool housing having elongated semi-elliptical shaped accents shown in FIG. 1;

FIG. 5 is a front elevation view of the portable tool housing having elongated semi-elliptical shaped accents shown in FIG. 1;

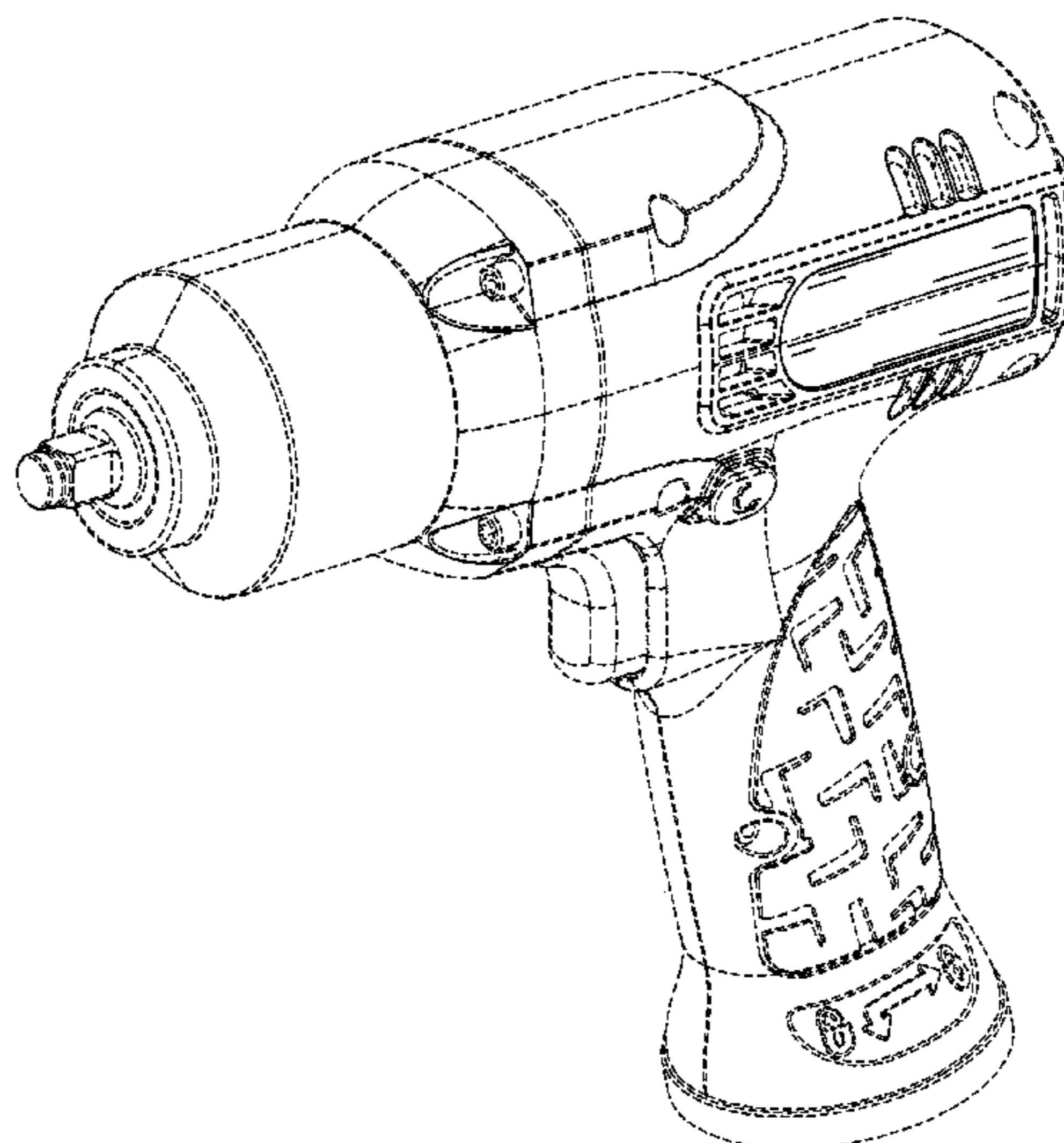
FIG. 6 is a top plan view of the portable tool housing having elongated semi-elliptical shaped accents shown in FIG. 1; and,

FIG. 7 is a bottom plan view of the portable tool housing having elongated semi-elliptical shaped accents shown in FIG. 1.

The broken lines in the drawing represent structure included to show the design in a condition of use and form no part of the claimed design.

The surfaces outside of the solid lines and unshaded surfaces within the solid lines form no part of the claimed design.

1 Claim, 5 Drawing Sheets



US D592,479 S

Page 2

U.S. PATENT DOCUMENTS

D392,863	S *	3/1998	Sugimoto et al.	D8/68
D394,995	S *	6/1998	Cooper	D8/68
5,769,657	A	6/1998	Kondo et al.		
5,792,573	A	8/1998	Pitzen et al.		
5,800,940	A	9/1998	Bunyea et al.		
5,813,805	A *	9/1998	Kopras	408/241 R
D401,487	S *	11/1998	Price	D8/49
D403,936	S *	1/1999	Somers	D8/68
D406,372	S *	3/1999	Matthes et al.	D26/44
5,902,080	A	5/1999	Kopras		
5,954,458	A *	9/1999	Lee	408/16
6,104,162	A	8/2000	Sainsbury et al.		
6,112,414	A	9/2000	Andis et al.		
6,126,670	A	10/2000	Walker et al.		
6,139,359	A	10/2000	Fuhreck et al.		
D434,298	S *	11/2000	Izumisawa	D8/68
6,161,293	A	12/2000	Watson		
6,186,709	B1 *	2/2001	Hsu	408/241 R
6,308,378	B1 *	10/2001	Mooty et al.	16/430
6,384,572	B1	5/2002	Nishimura		
D462,594	S *	9/2002	Flickinger	D8/68
D465,982	S *	11/2002	Taga	D8/68
D469,324	S *	1/2003	Heun	D8/68
6,675,912	B2	1/2004	Carrier		
D489,240	S *	5/2004	Bartfeld et al.	D8/68
6,729,415	B1	5/2004	Huang		
D494,435	S *	8/2004	Hayakawa et al.	D8/68
D499,945	S *	12/2004	Sugawara et al.	D8/68
6,840,335	B1	1/2005	Wu		
6,887,244	B1	5/2005	Walker et al.		
6,889,439	B2	5/2005	Koukal et al.		
6,979,155	B2 *	12/2005	Dils et al.	408/16
D515,377	S *	2/2006	Chung et al.	D8/68
7,000,709	B2 *	2/2006	Milbourne	173/170
D525,100	S *	7/2006	Huang et al.	D8/68
D525,848	S *	8/2006	Kokawa	D8/68
D536,944	S *	2/2007	Tsai et al.	D8/68
D562,663	S *	2/2008	Wang	D8/68
2004/0011544	A1 *	1/2004	Cooper et al.	173/217
2006/0104735	A1 *	5/2006	Zeiler et al.	408/241 R
2006/0113099	A1 *	6/2006	Livingston et al.	173/177

* cited by examiner

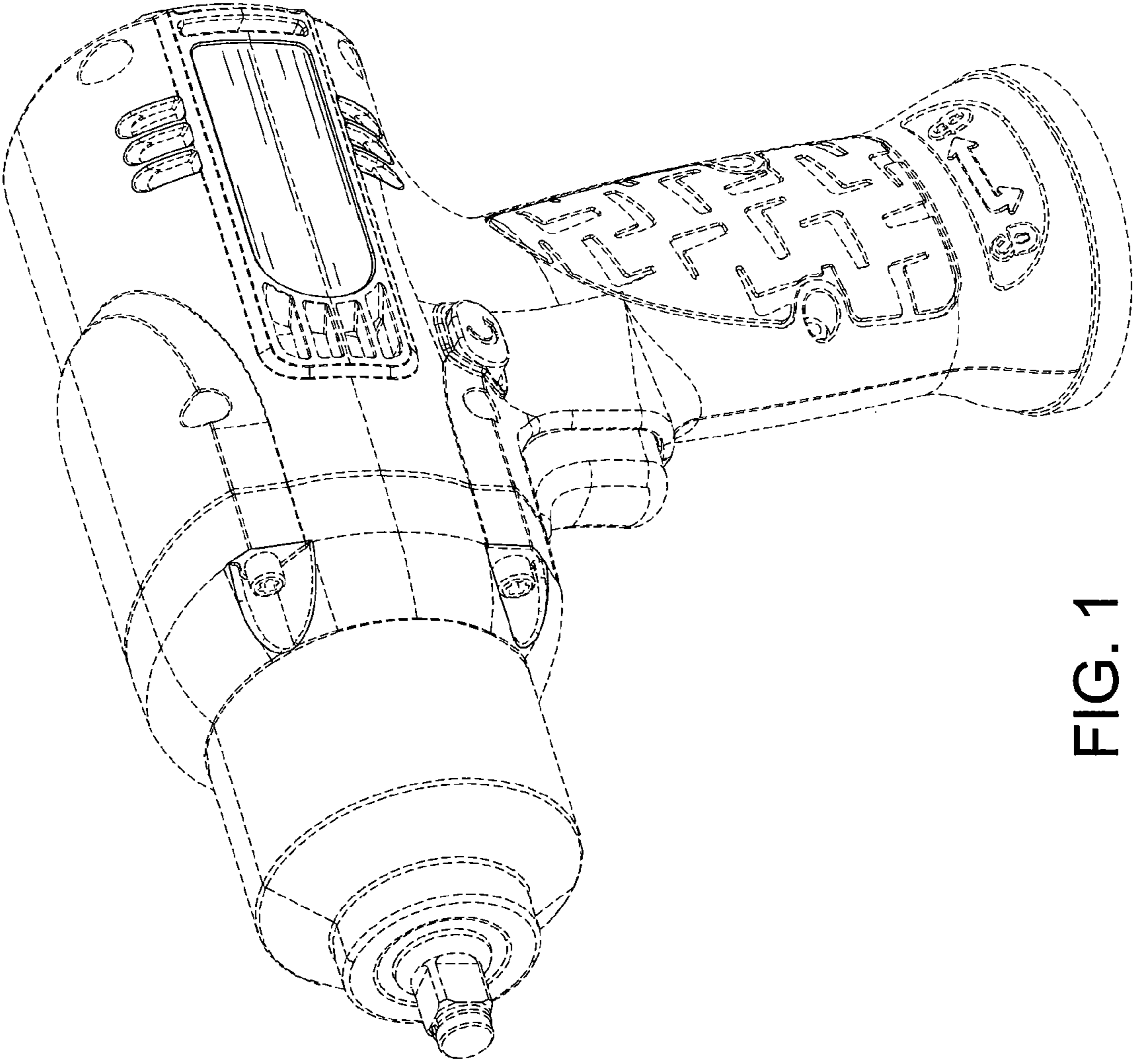


FIG. 1

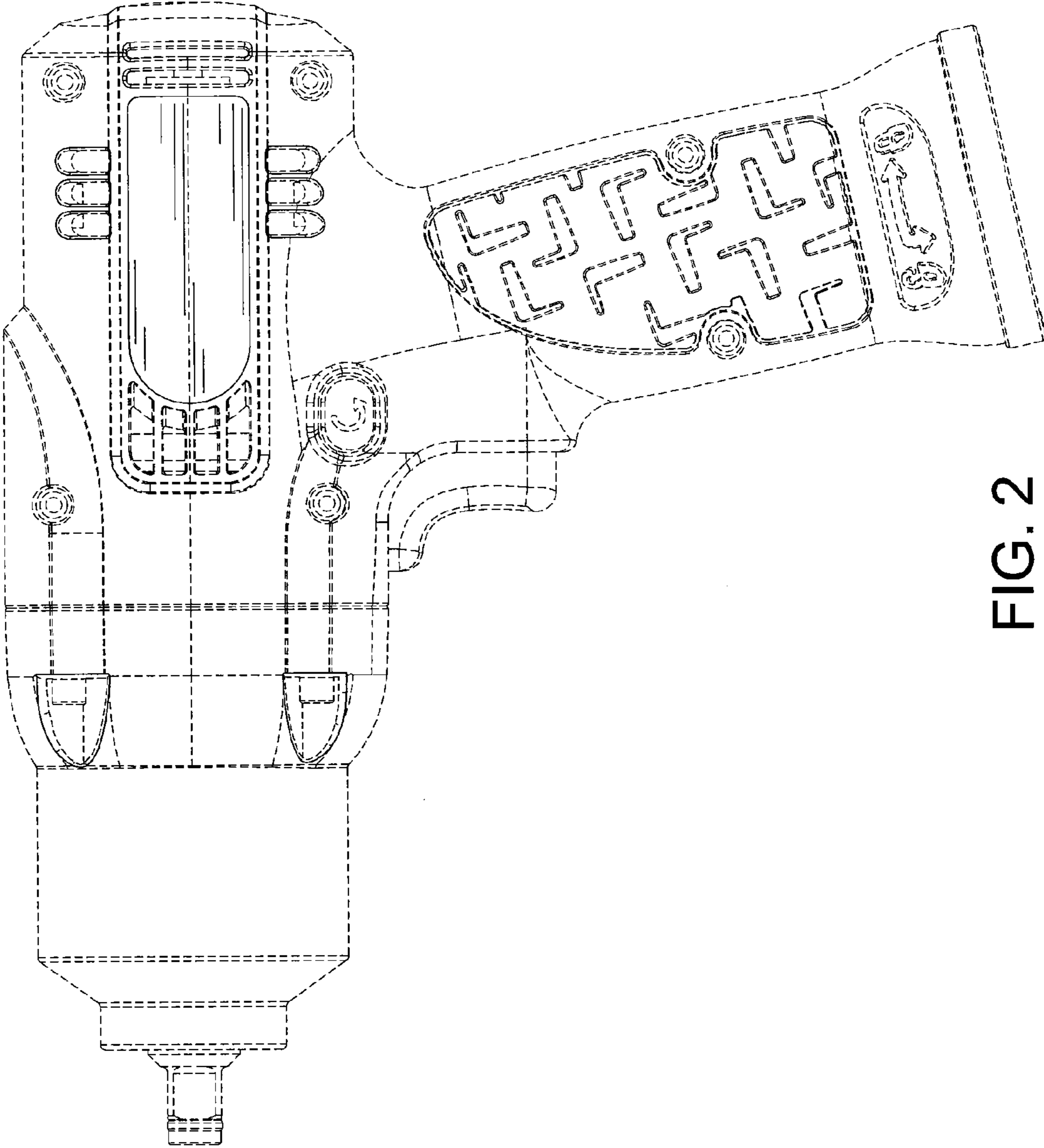


FIG. 2

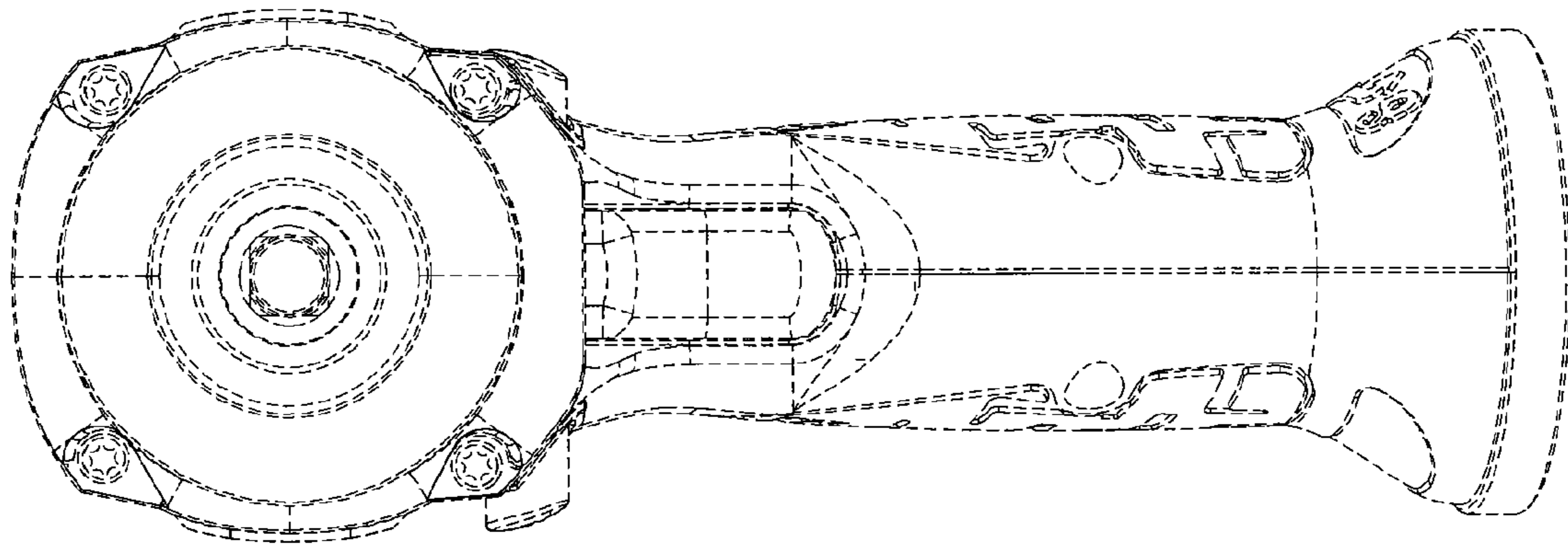


FIG. 5

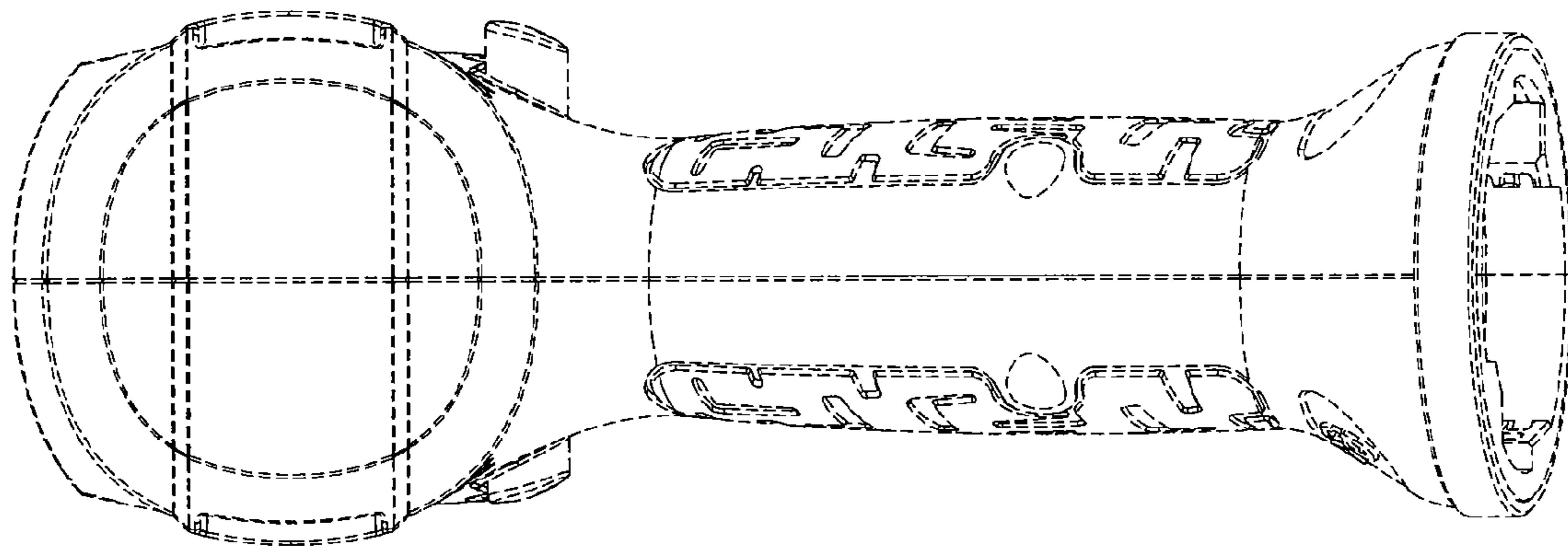


FIG. 3

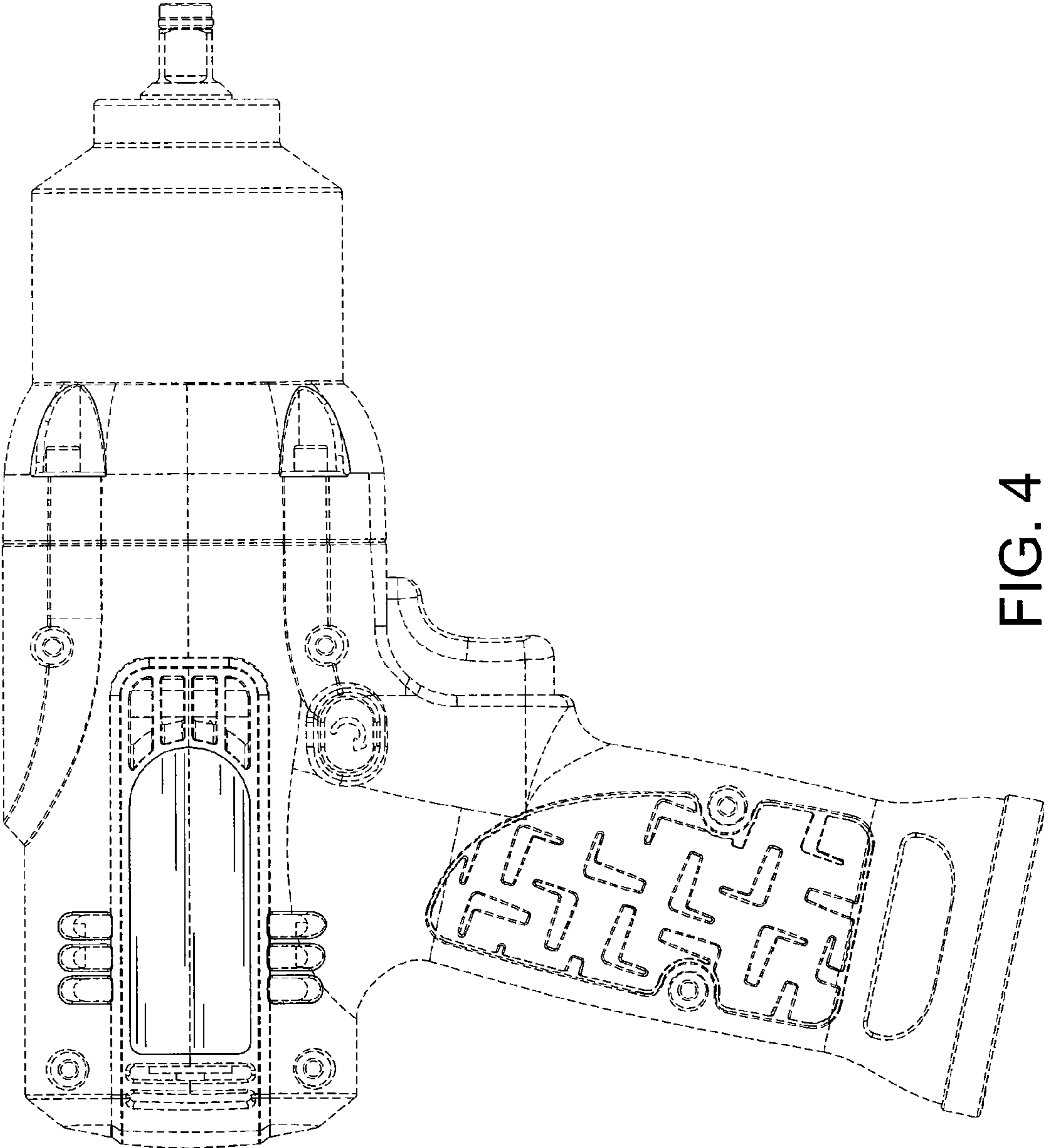


FIG. 4

FIG. 7

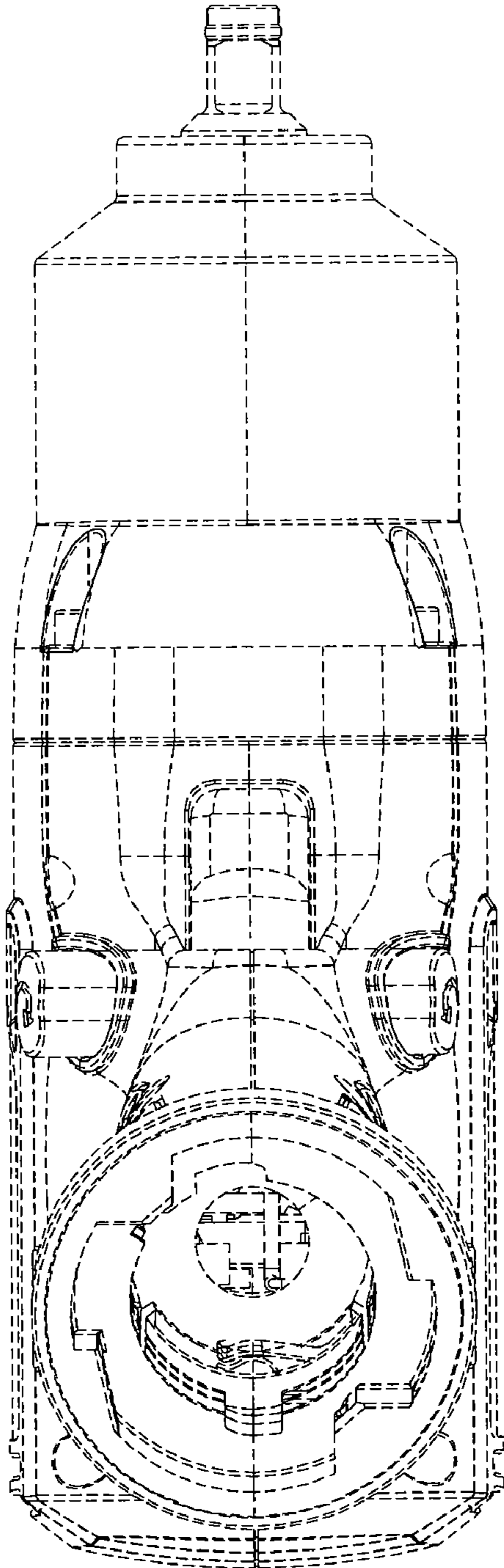


FIG. 6

