



US00D592476S

(12) **United States Design Patent**  
**Aglassinger**

(10) **Patent No.:** **US D592,476 S**

(45) **Date of Patent:** **\*\* May 19, 2009**

(54) **POWER DRILL WITH BATTERY PACK**

(57) **CLAIM**

(75) Inventor: **Hans-Peter Aglassinger**, Esslingen (DE)

The ornamental design for a power drill with battery pack, as shown and described.

(73) Assignee: **Robert Bosch GmbH**, Stuttgart (DE)

(\*\*) Term: **14 Years**

(21) Appl. No.: **29/266,952**

(22) Filed: **Oct. 2, 2006**

(30) **Foreign Application Priority Data**

May 25, 2006 (EM) ..... 000535158

(51) **LOC (9) Cl.** ..... **08-05**

(52) **U.S. Cl.** ..... **D8/68**

(58) **Field of Classification Search** ..... D8/14.1,  
D8/61-70; 81/57.11, 429, 454-456, 469,  
81/489; 173/13, 104, 114, 168-171, 178,  
173/201, 211, 213, 217; 408/20, 124, 125,  
408/234, 241 R; 451/358; 310/50; 227/8,  
227/113, 114, 120, 130, 136, 142

See application file for complete search history.

(56) **References Cited**

**U.S. PATENT DOCUMENTS**

6,308,378 B1 \* 10/2001 Mooty et al. .... 310/50  
D482,253 S \* 11/2003 Cooper et al. .... D8/68  
D515,380 S \* 2/2006 Ng ..... D8/68  
D533,040 S \* 12/2006 Schoen ..... D8/68  
7,201,235 B2 \* 4/2007 Umemura et al. .... 173/217  
7,281,591 B2 \* 10/2007 Bone ..... 173/217

\* cited by examiner

*Primary Examiner*—Antoine D Davis

(74) *Attorney, Agent, or Firm*—Michael J. Striker

**DESCRIPTION**

FIG. 1 is a front perspective view of a power drill with battery pack showing my new design;

FIG. 2 is a side view thereof;

FIG. 3 is the opposite side view of FIG. 2 thereof;

FIG. 4 is a front view thereof;

FIG. 5 is a rear view thereof;

FIG. 6 is a top view thereof; and

FIG. 7 is a bottom view thereof.

FIG. 8 is a front perspective view of a first alternate embodiment of my new design;

FIG. 9 is a side view thereof;

FIG. 10 is the opposite side view if FIG. 9 thereof;

FIG. 11 is a front view thereof;

FIG. 12 is a rear view thereof;

FIG. 13 is a top view thereof; and

FIG. 14 is a bottom view thereof.

FIG. 15 is a second alternative embodiment of my new design;

FIG. 16 is a side view thereof;

FIG. 17 is the opposite side view of FIG. 16 thereof;

FIG. 18 is a front view thereof;

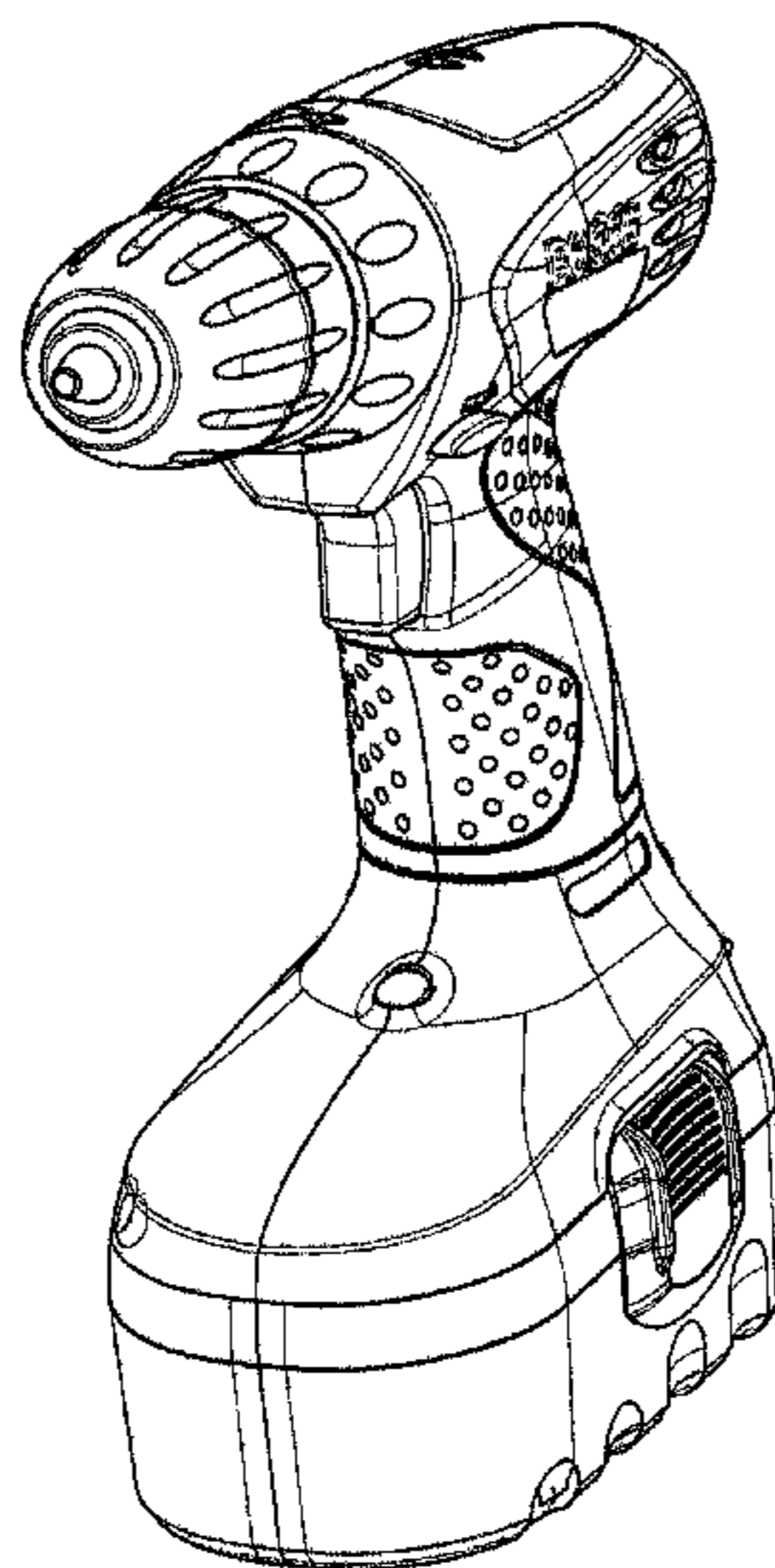
FIG. 19 is a rear view thereof;

FIG. 20 is a top view thereof; and,

FIG. 21 is a bottom view thereof.

The broken line showing of the word Bosch is included for the purposes of illustration and forms no part of the claimed design.

**1 Claim, 21 Drawing Sheets**



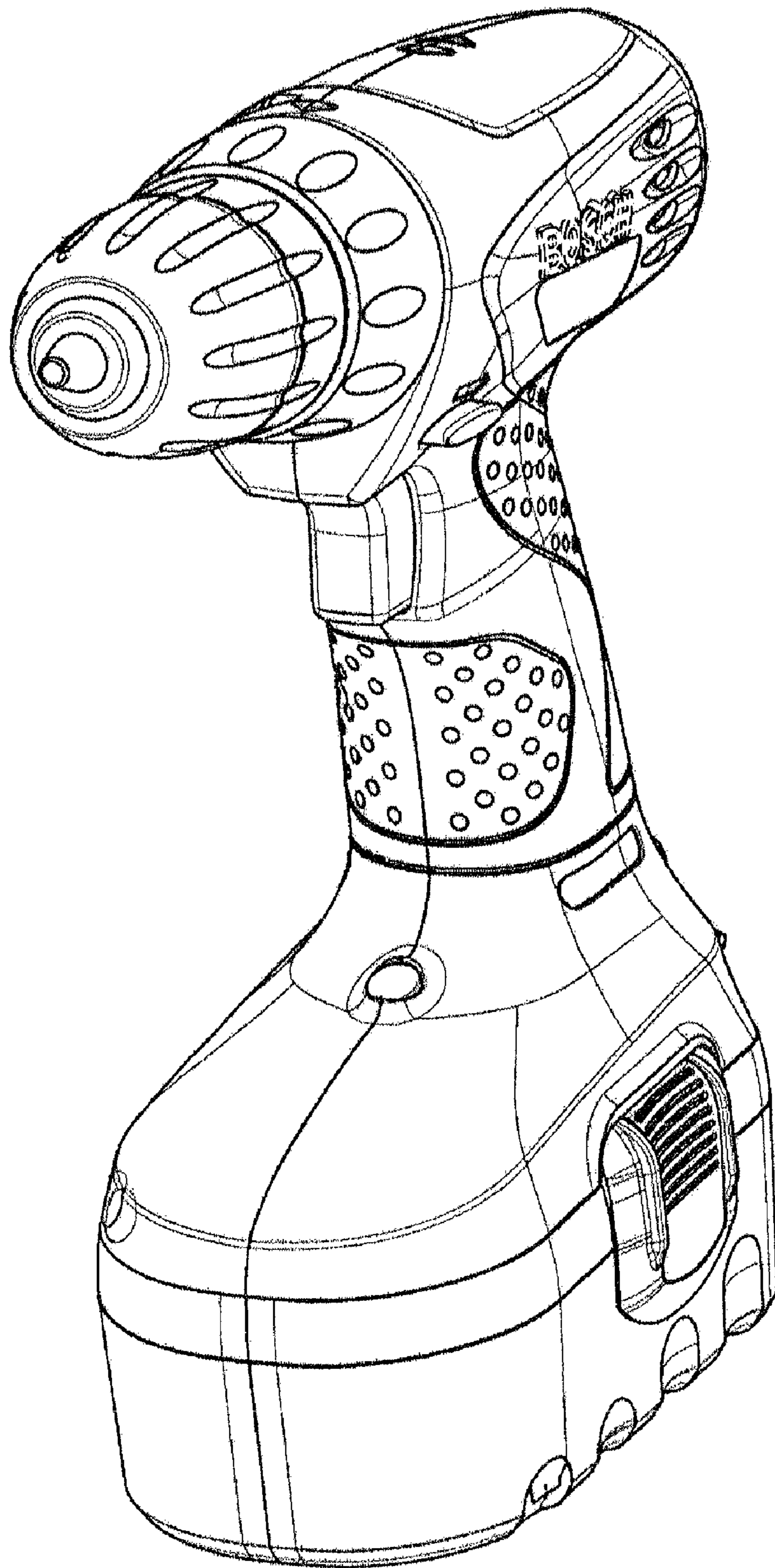


FIG. 1

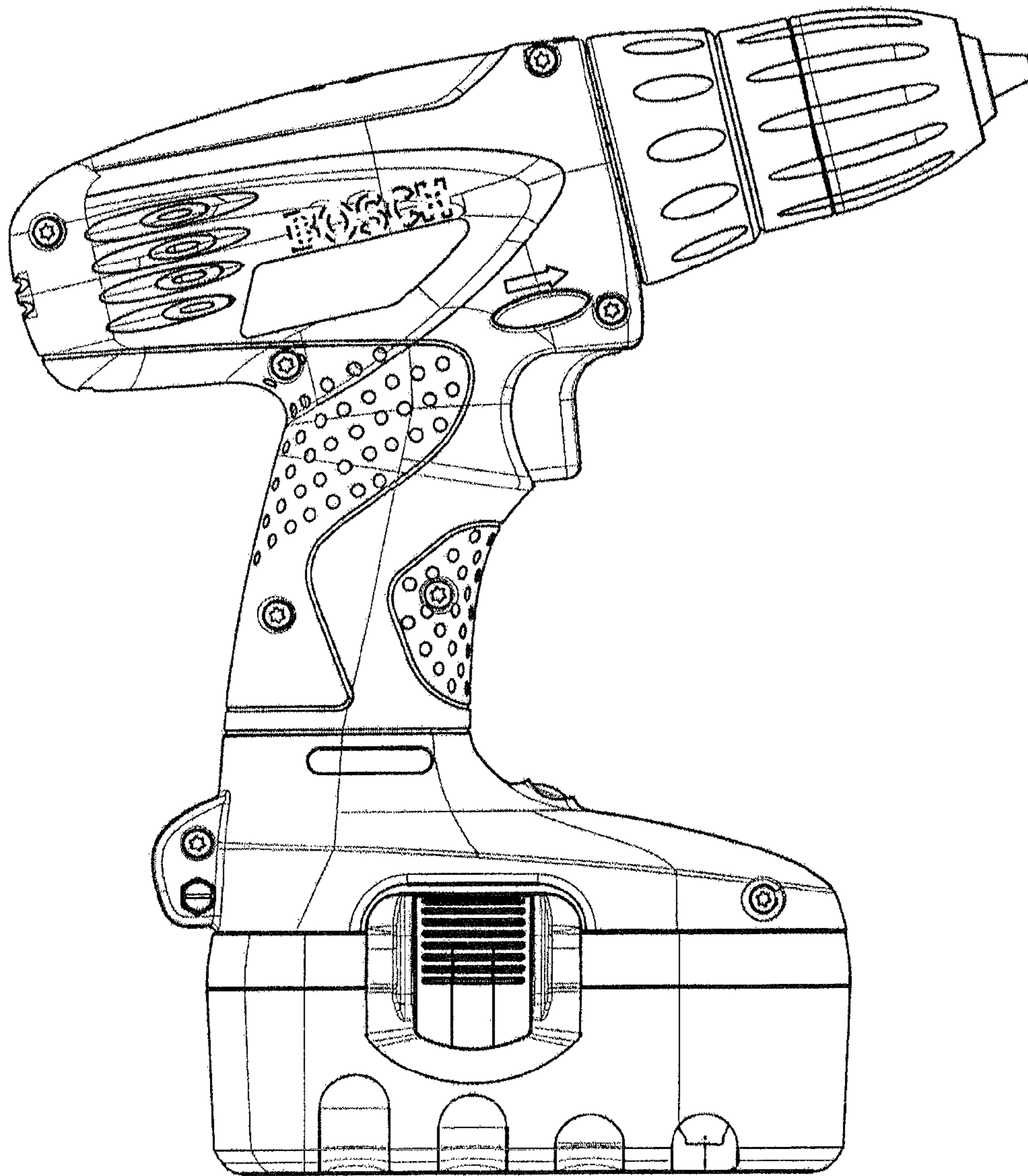


FIG.2

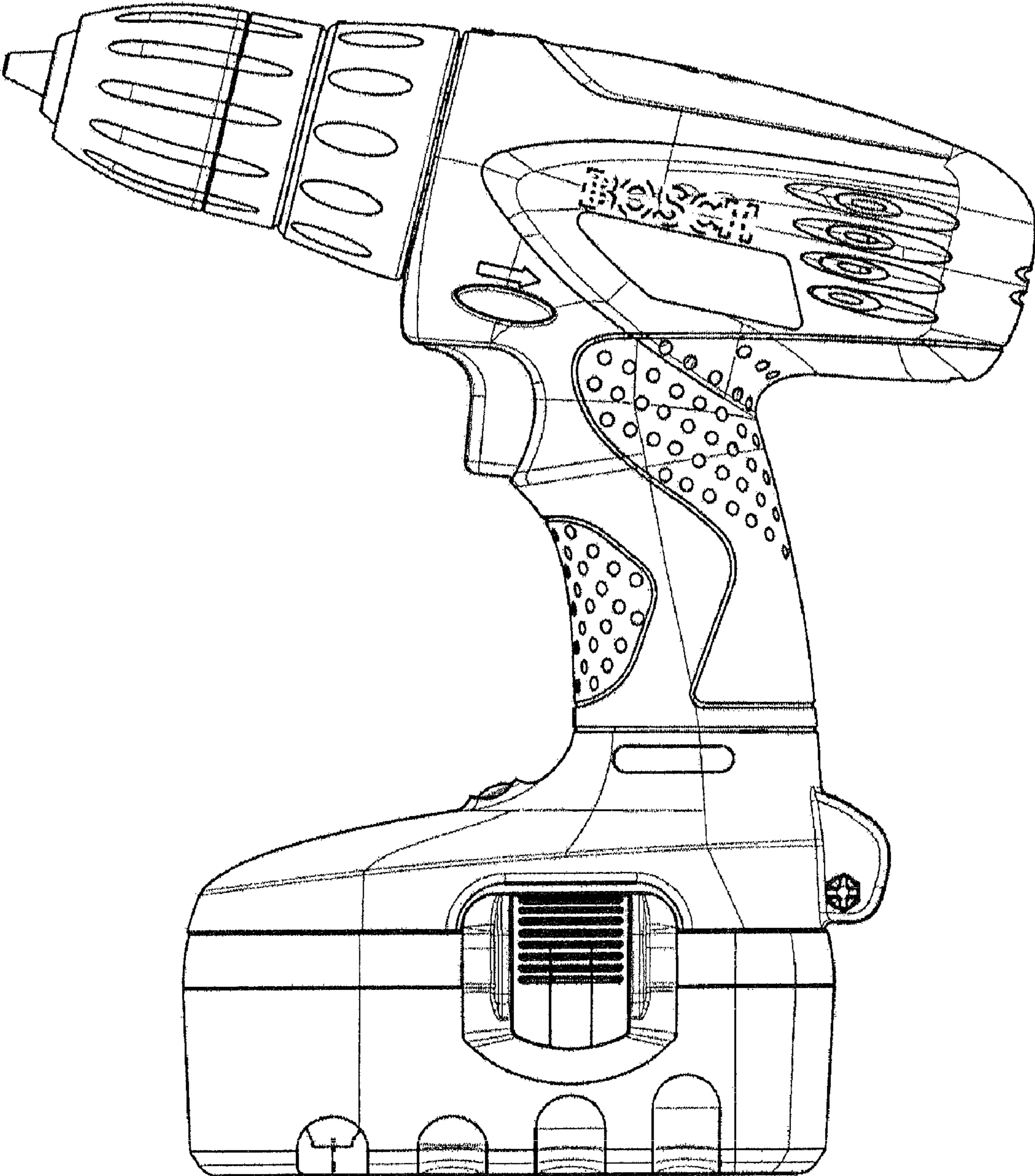


FIG. 3

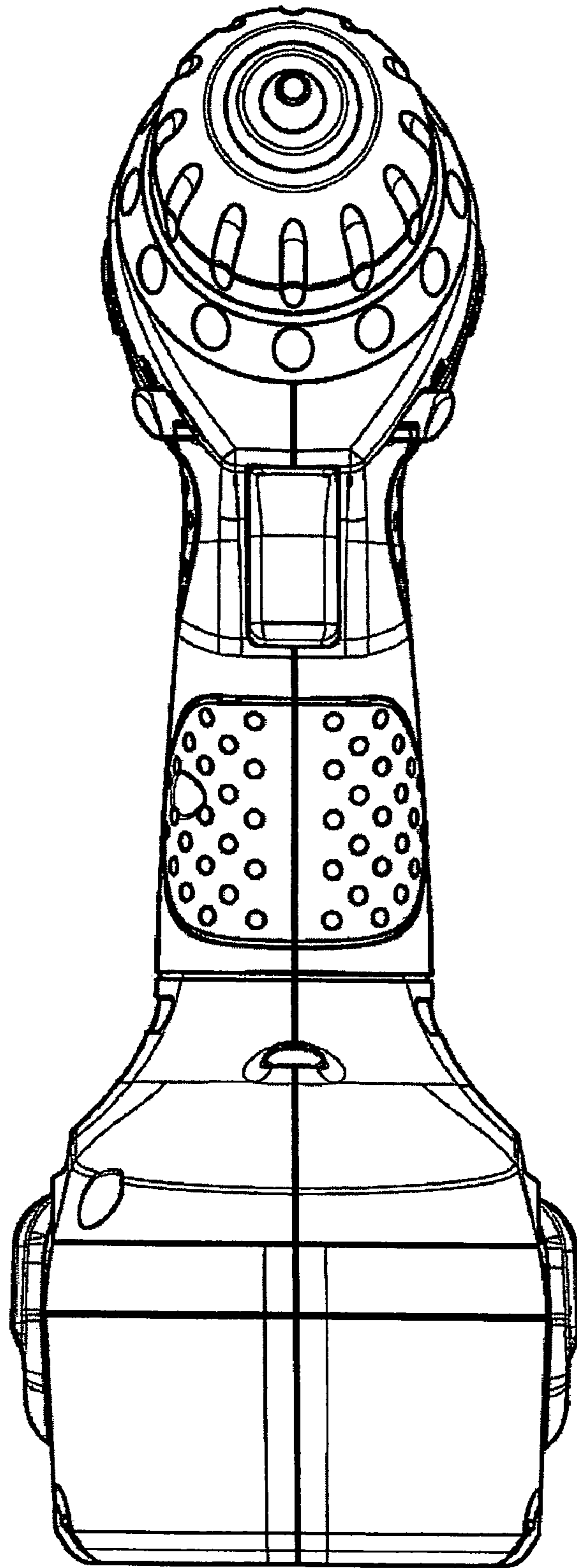


FIG. 4

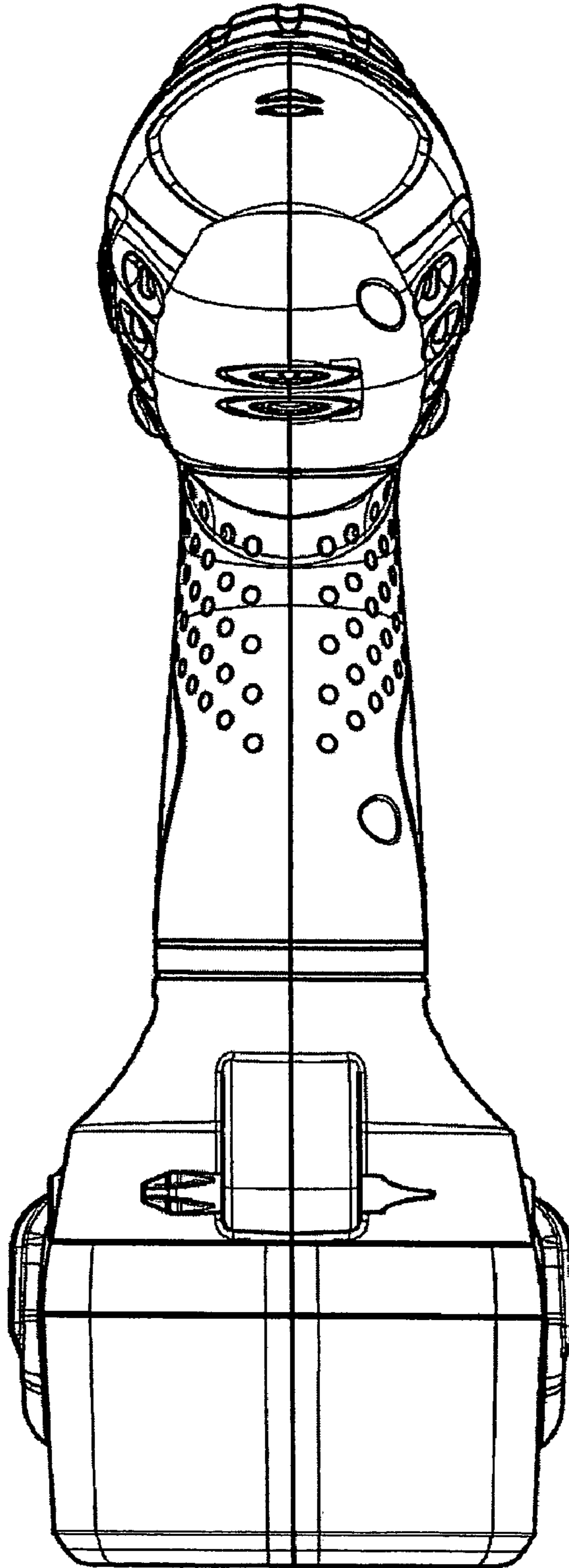


FIG. 5

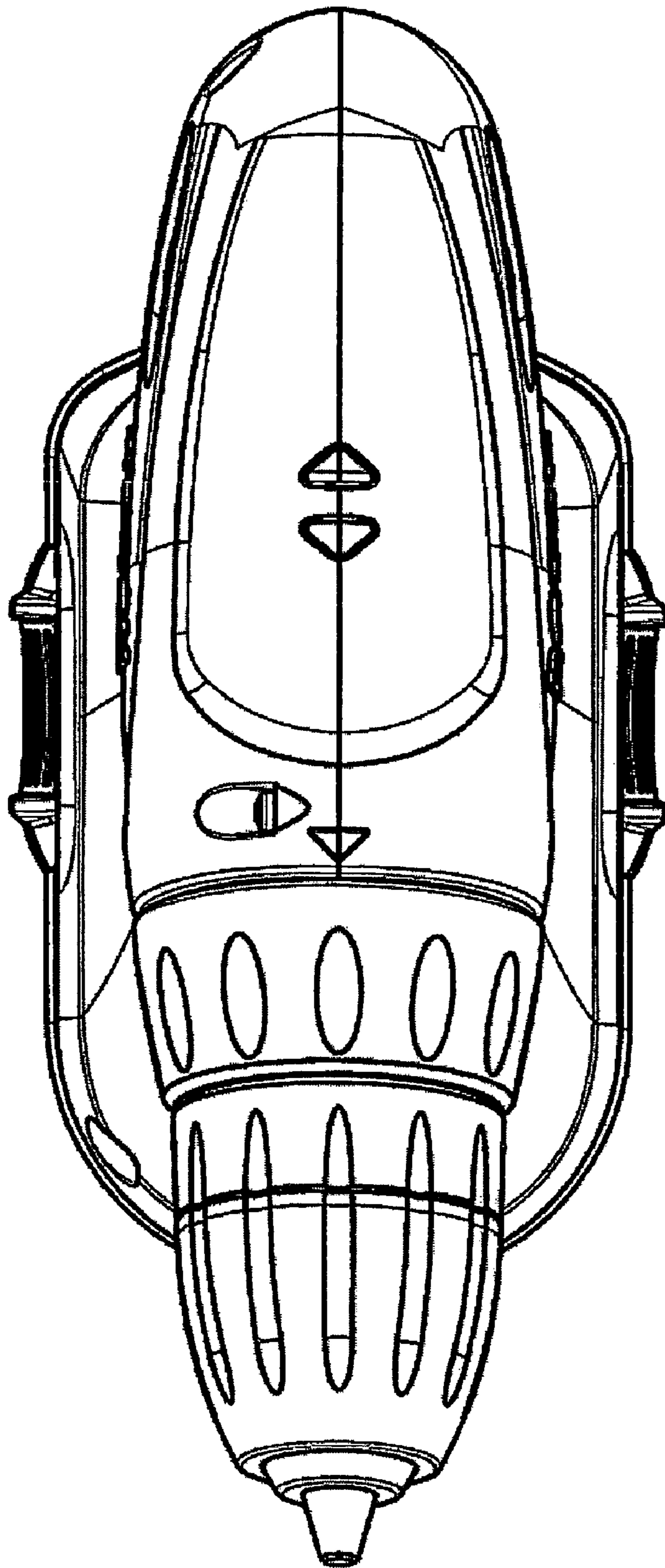


FIG. 6

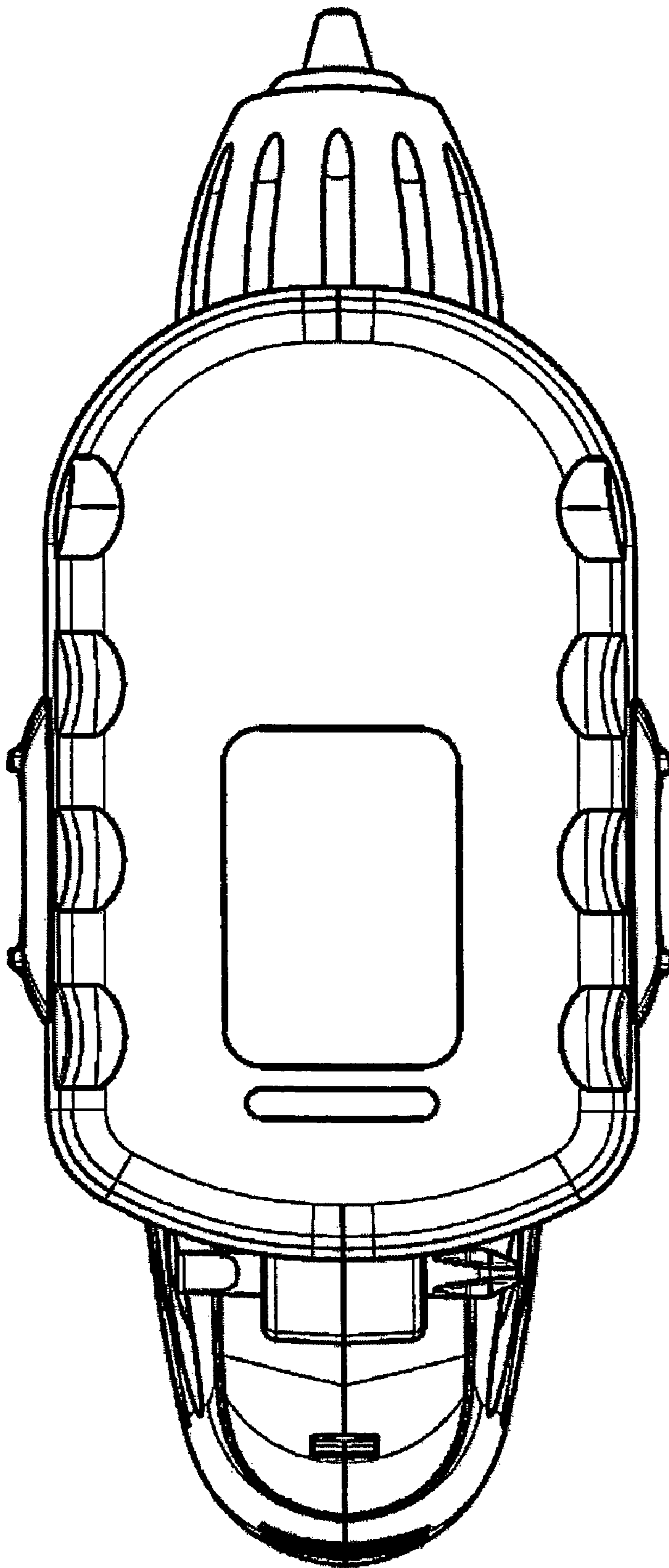


FIG. 7



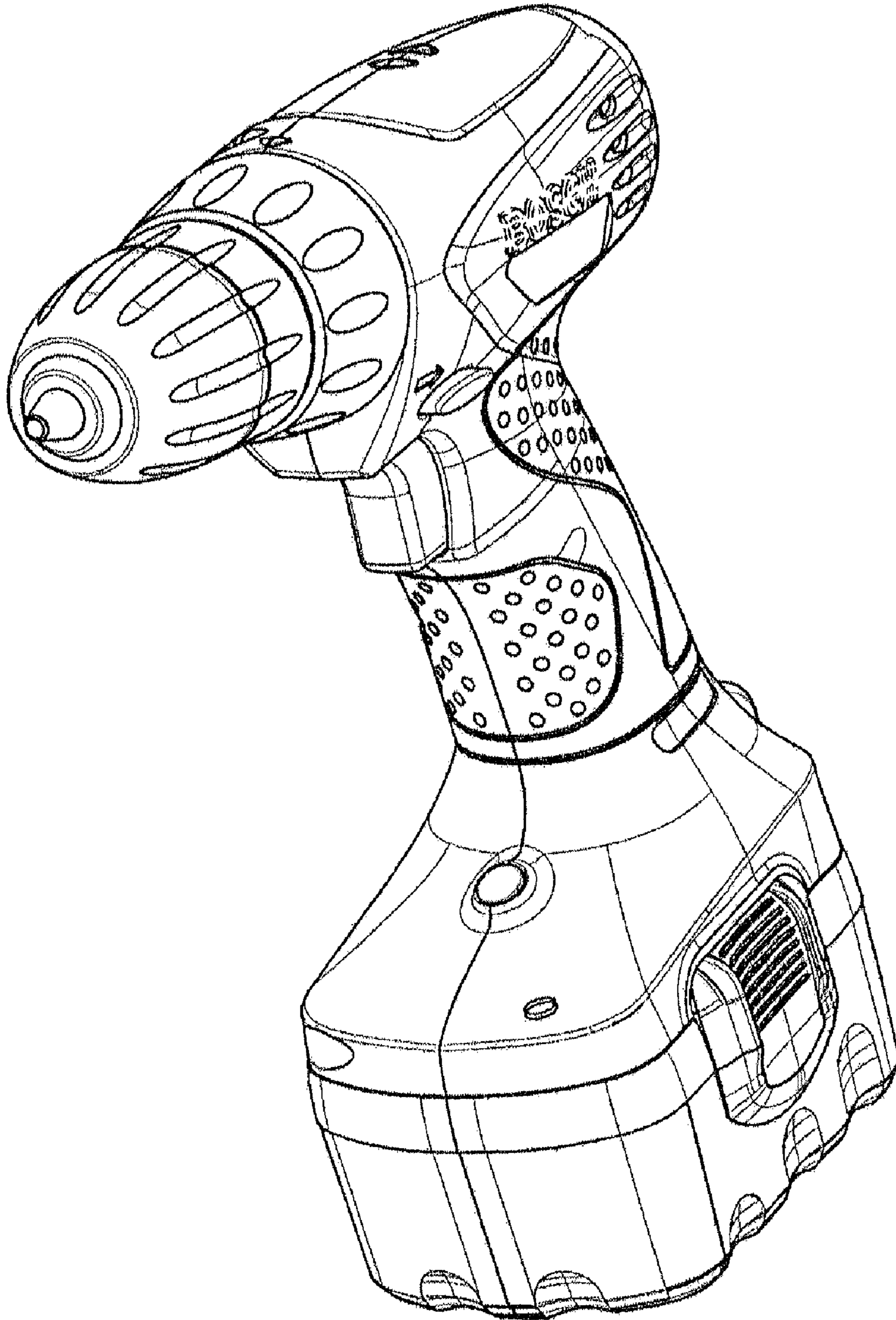


FIG. 8

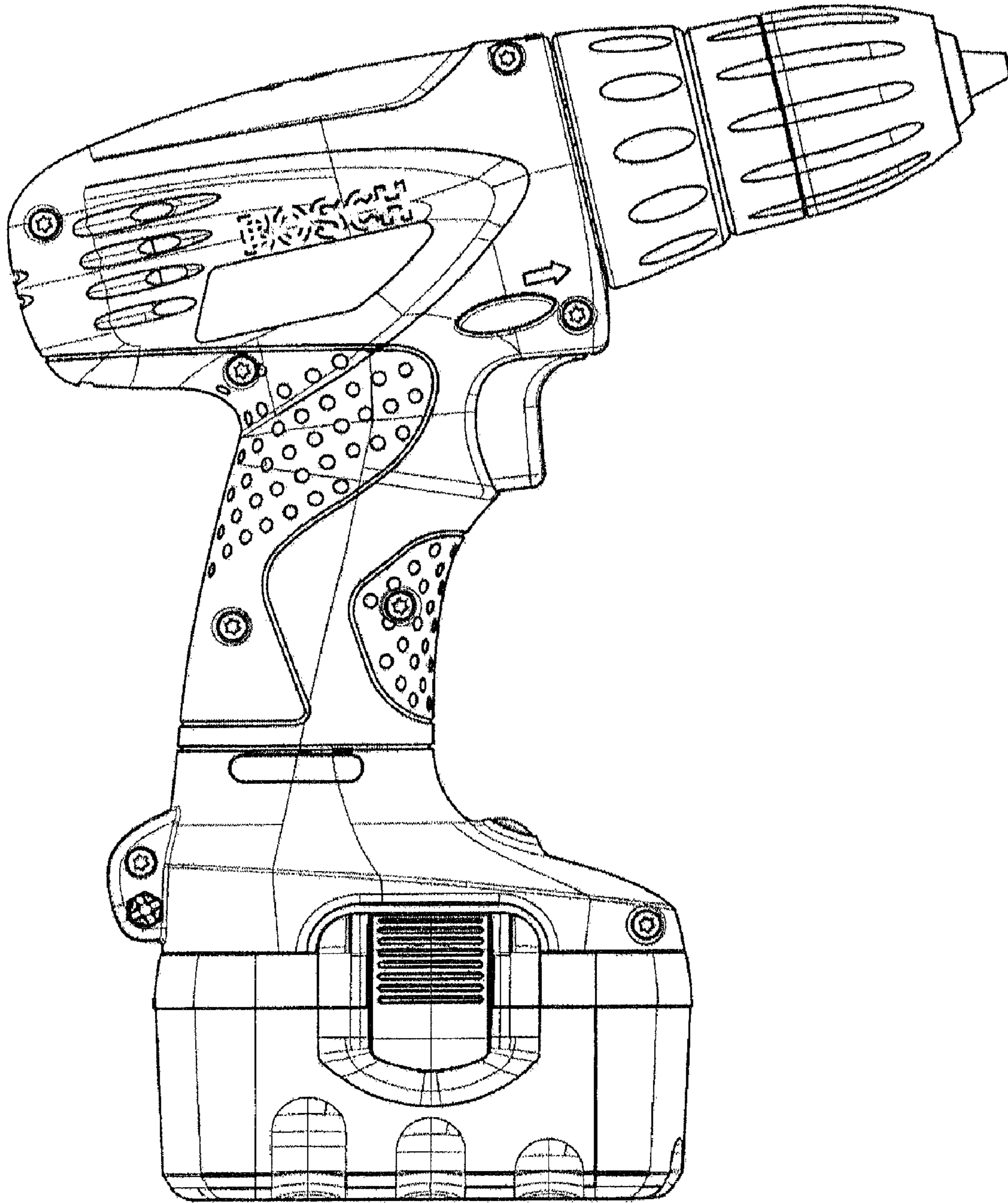


FIG. 9

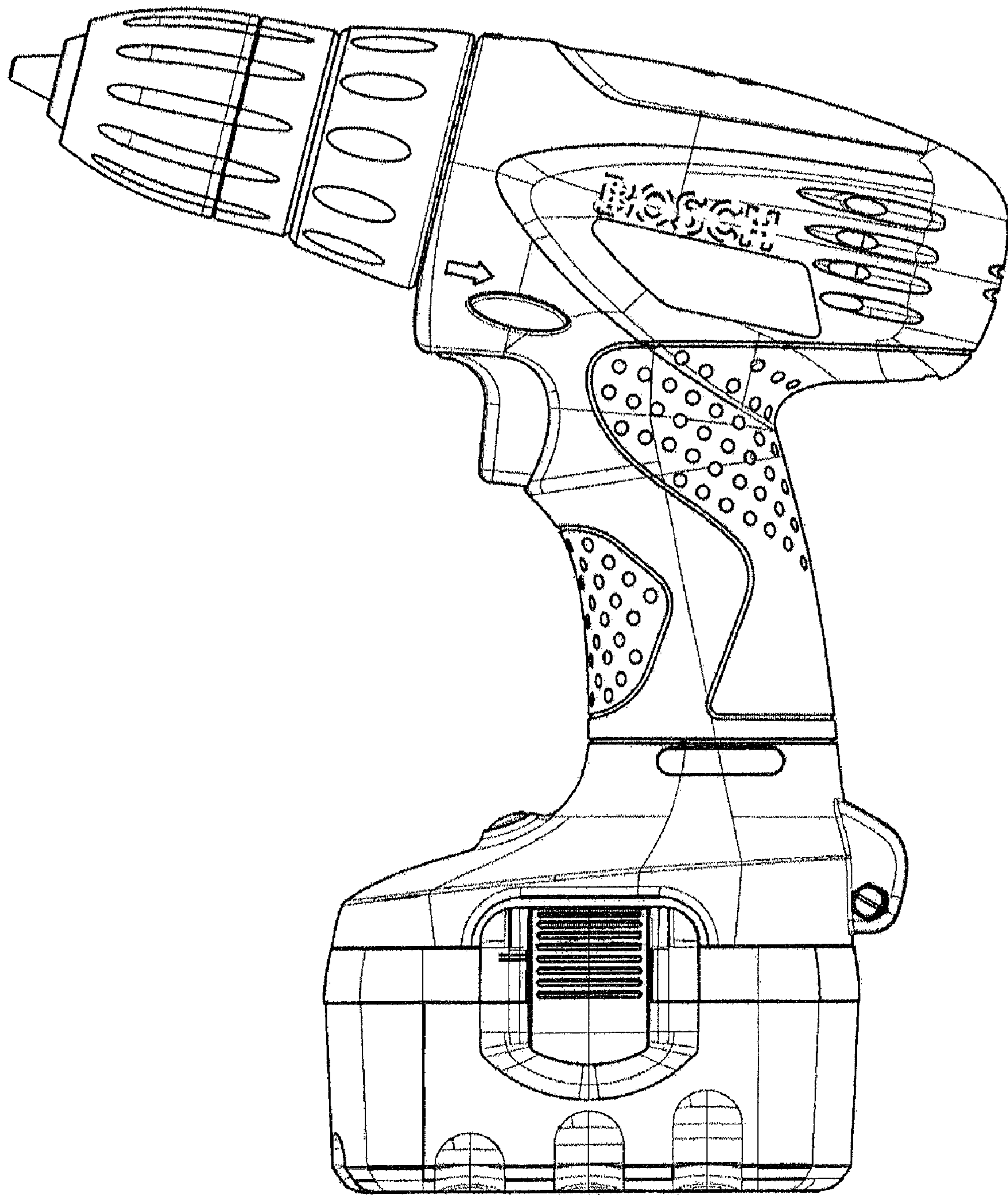


FIG. 10

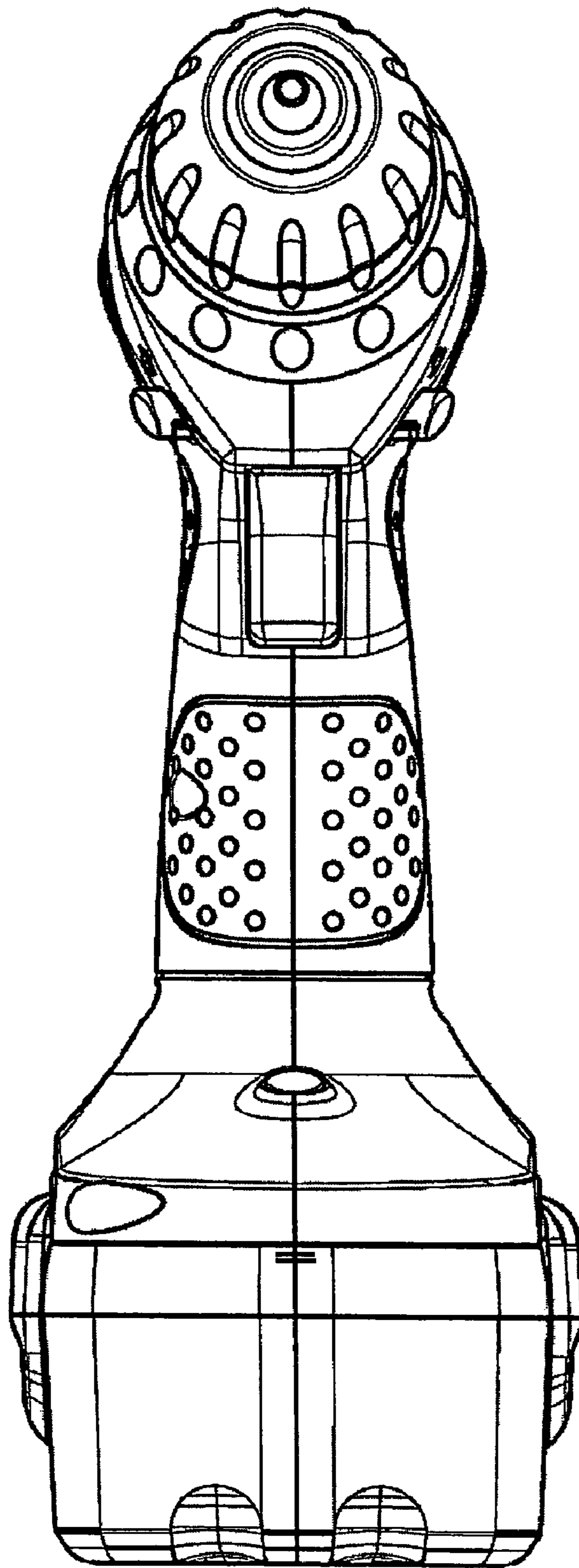


FIG. 11

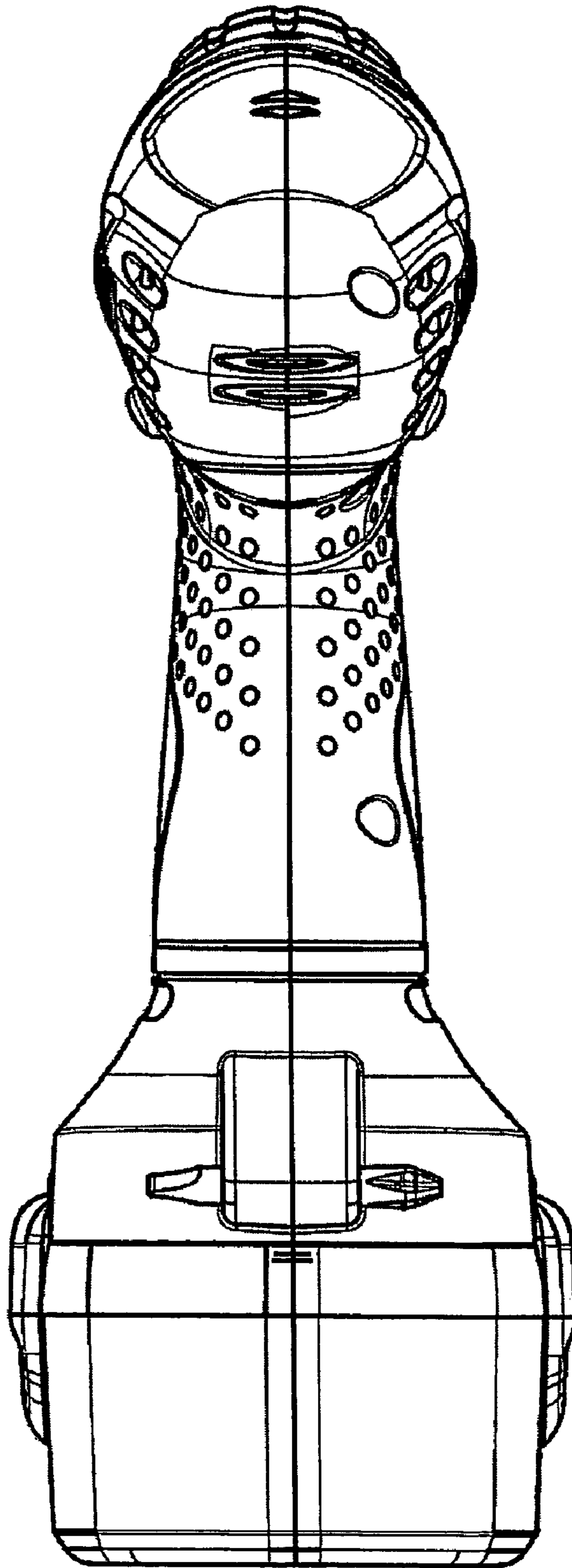


FIG. 12

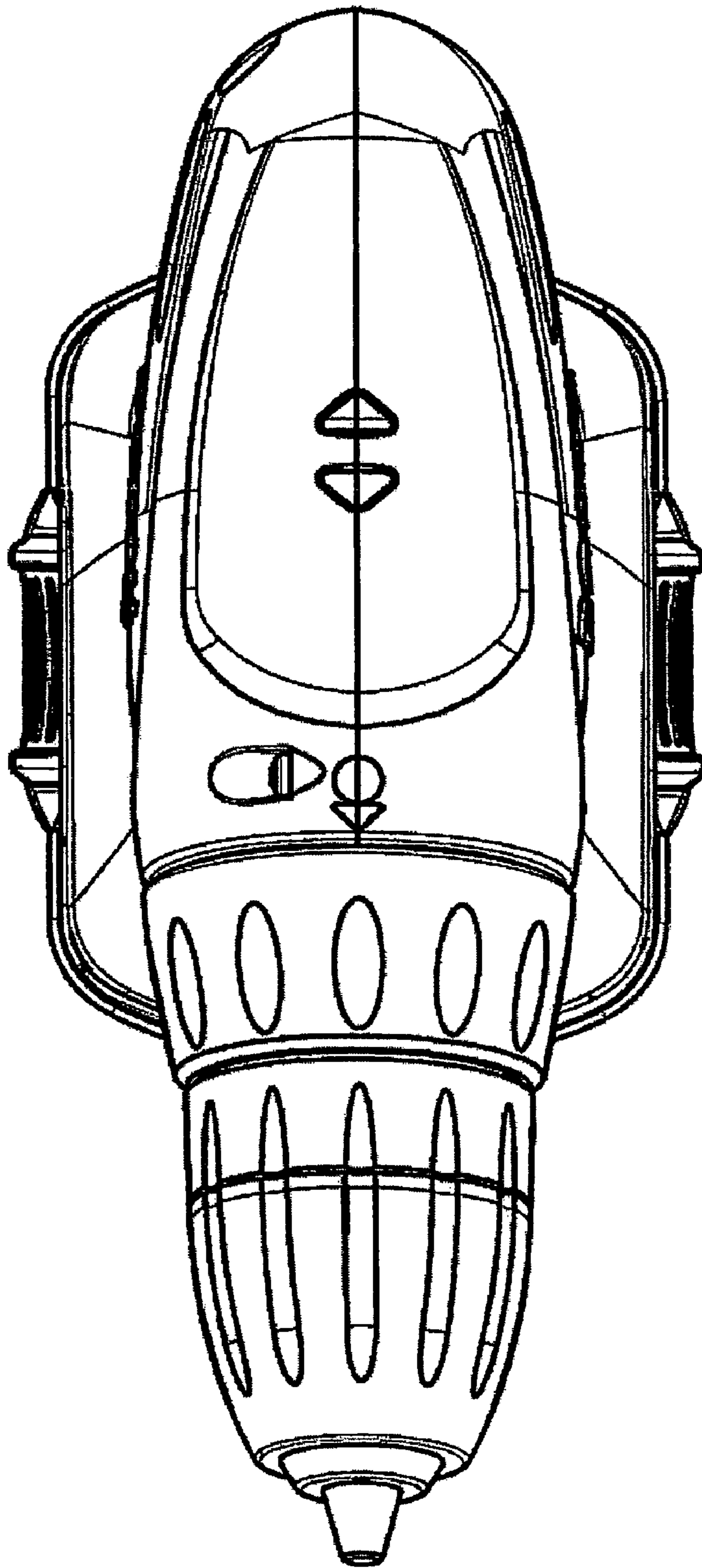


FIG. 13

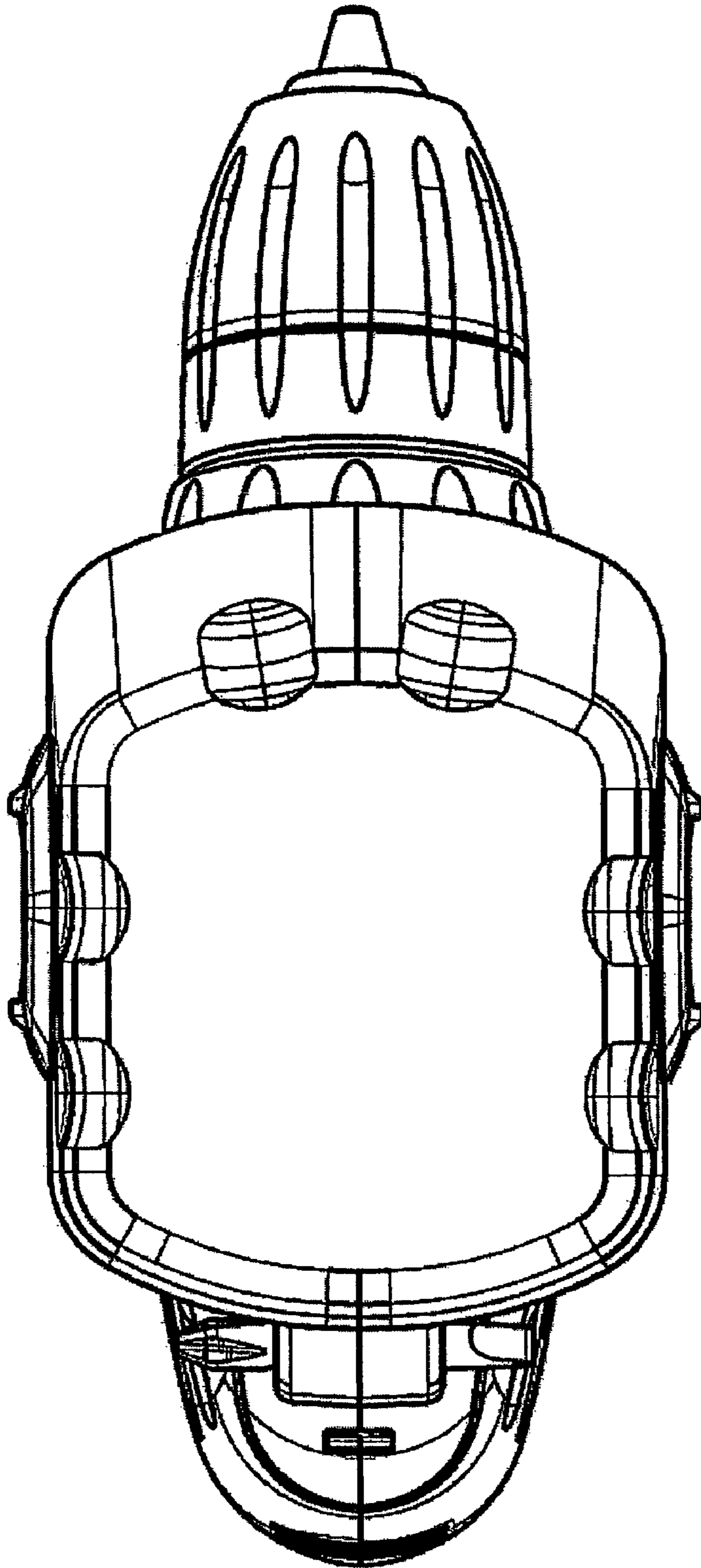


FIG. 14

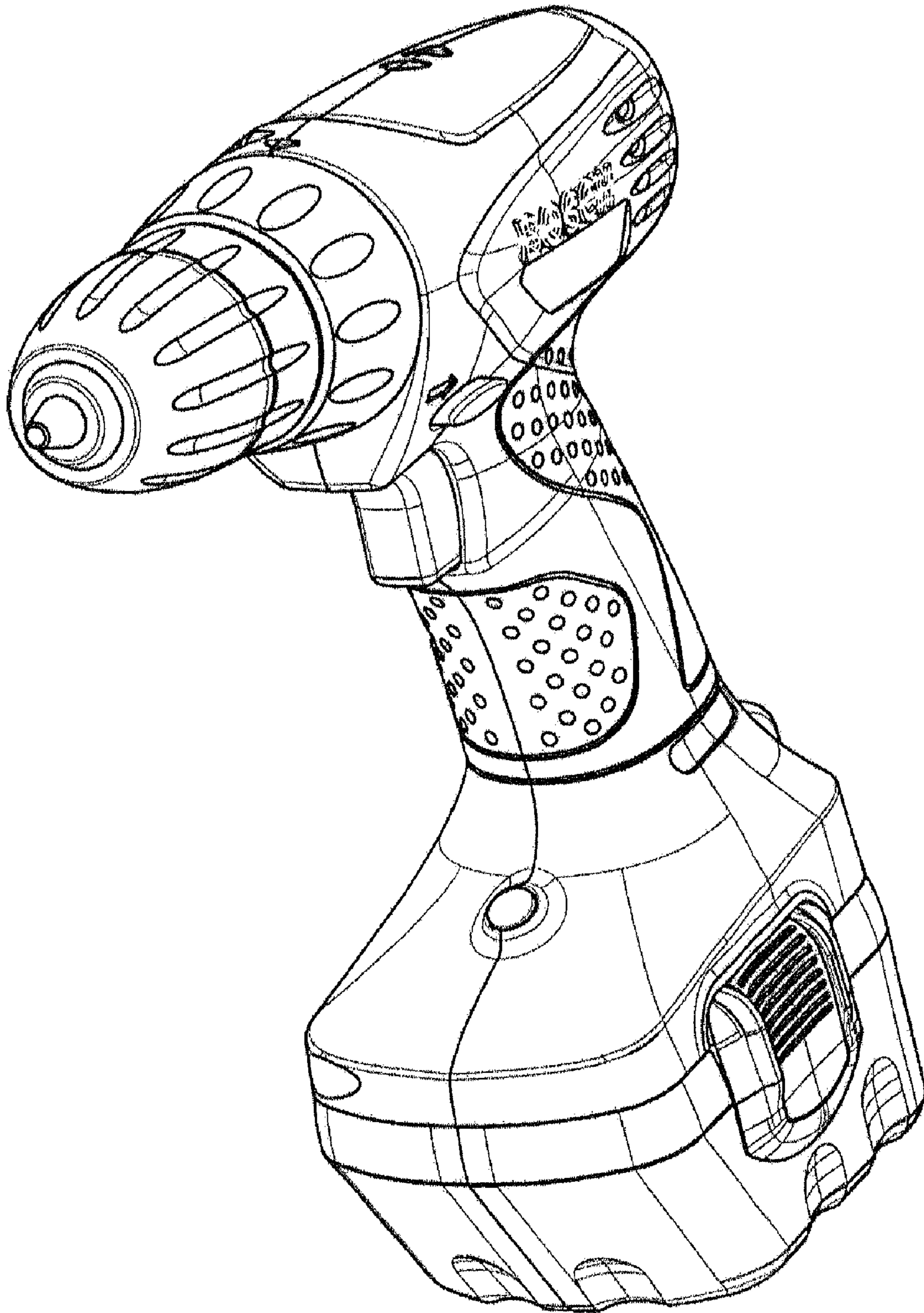


FIG. 15



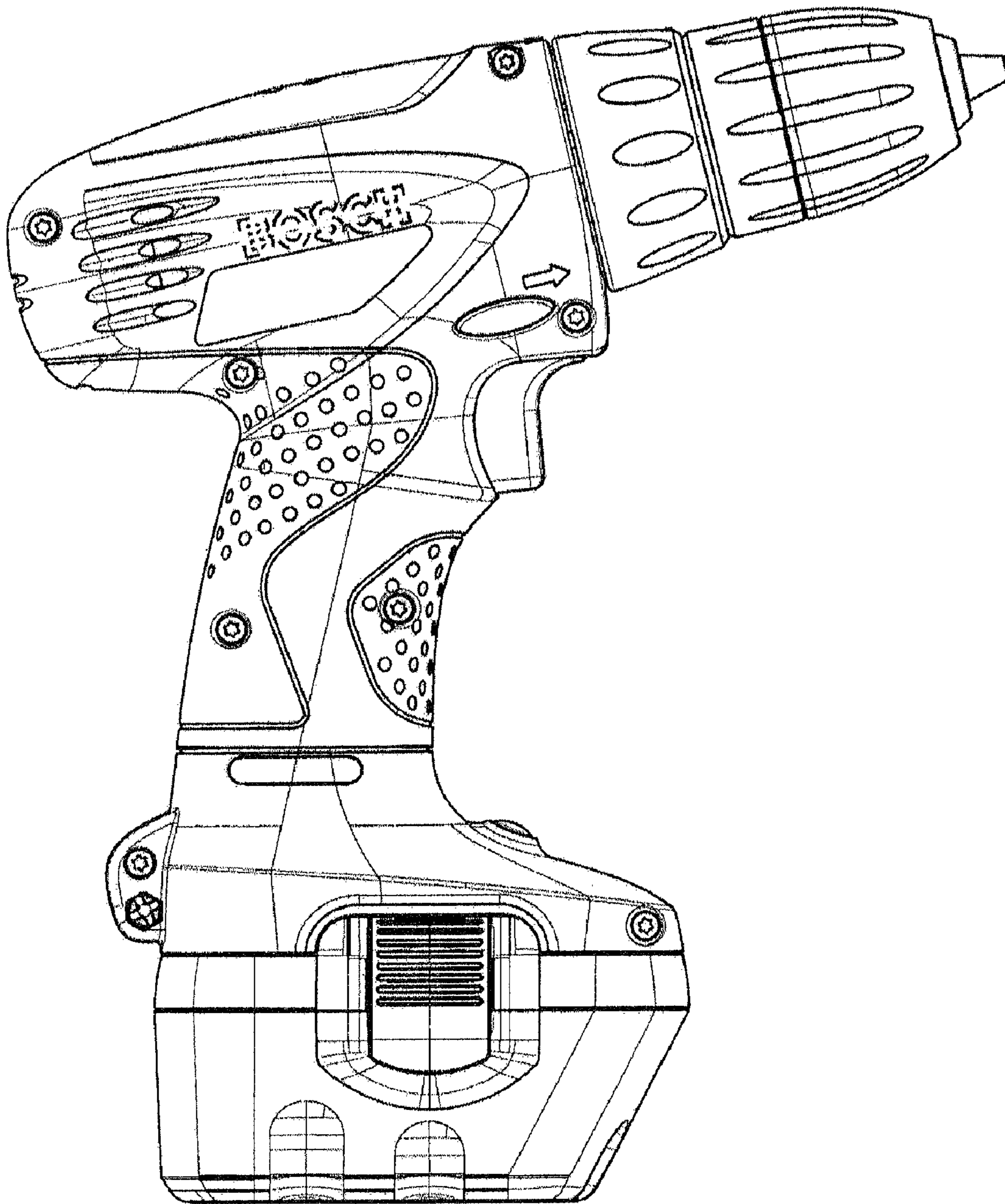


FIG. 16

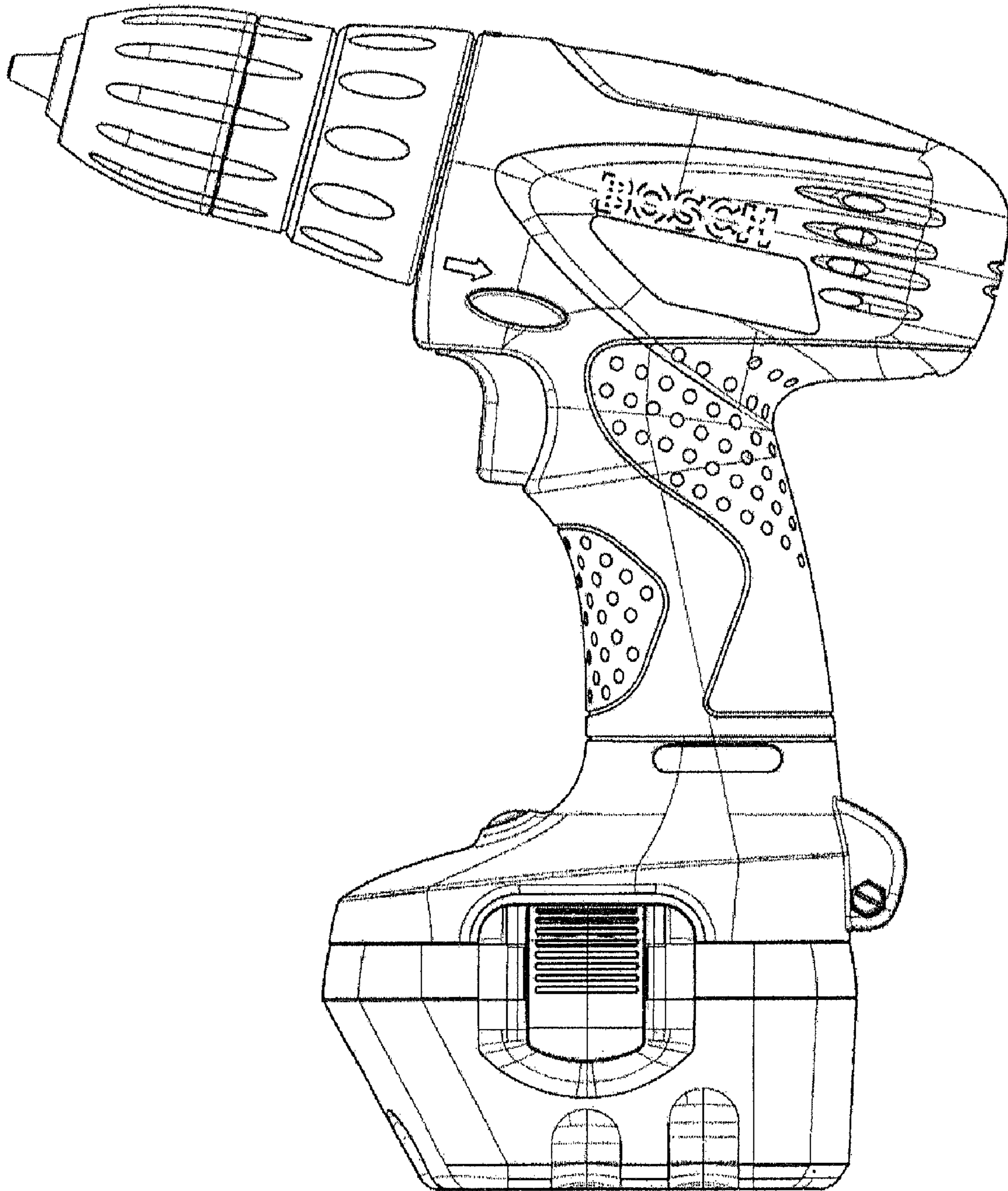


FIG. 17

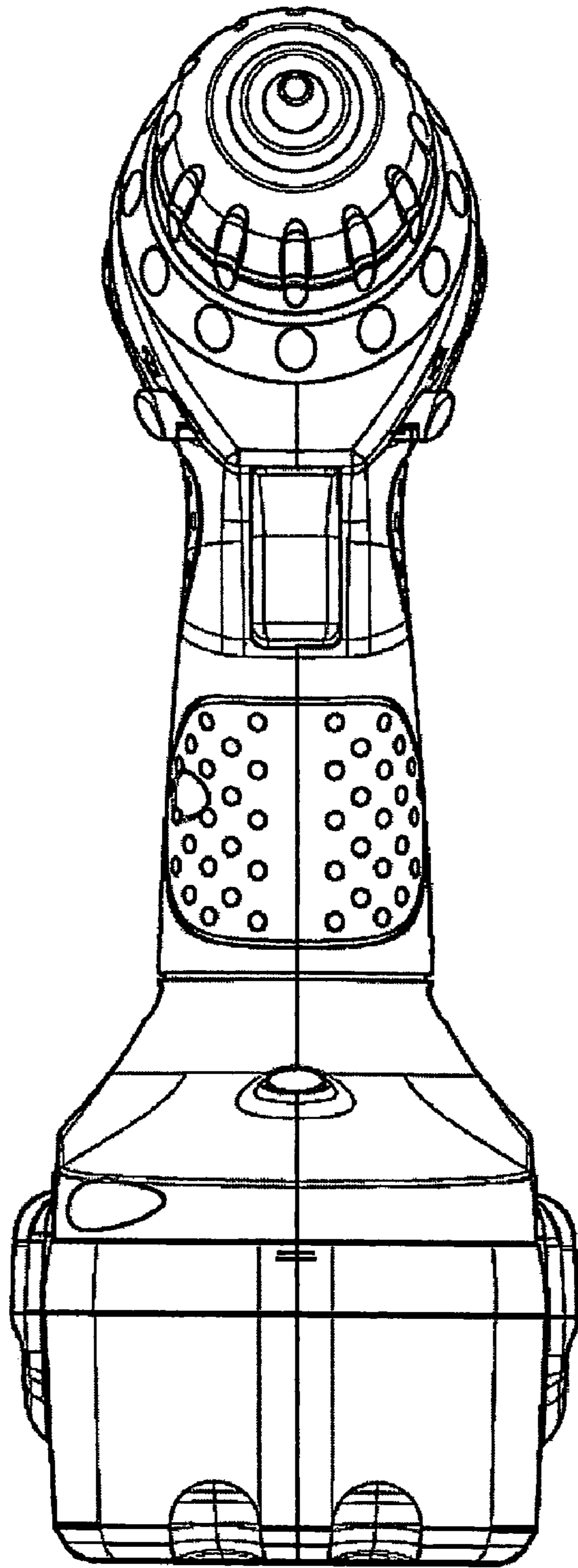


FIG. 18

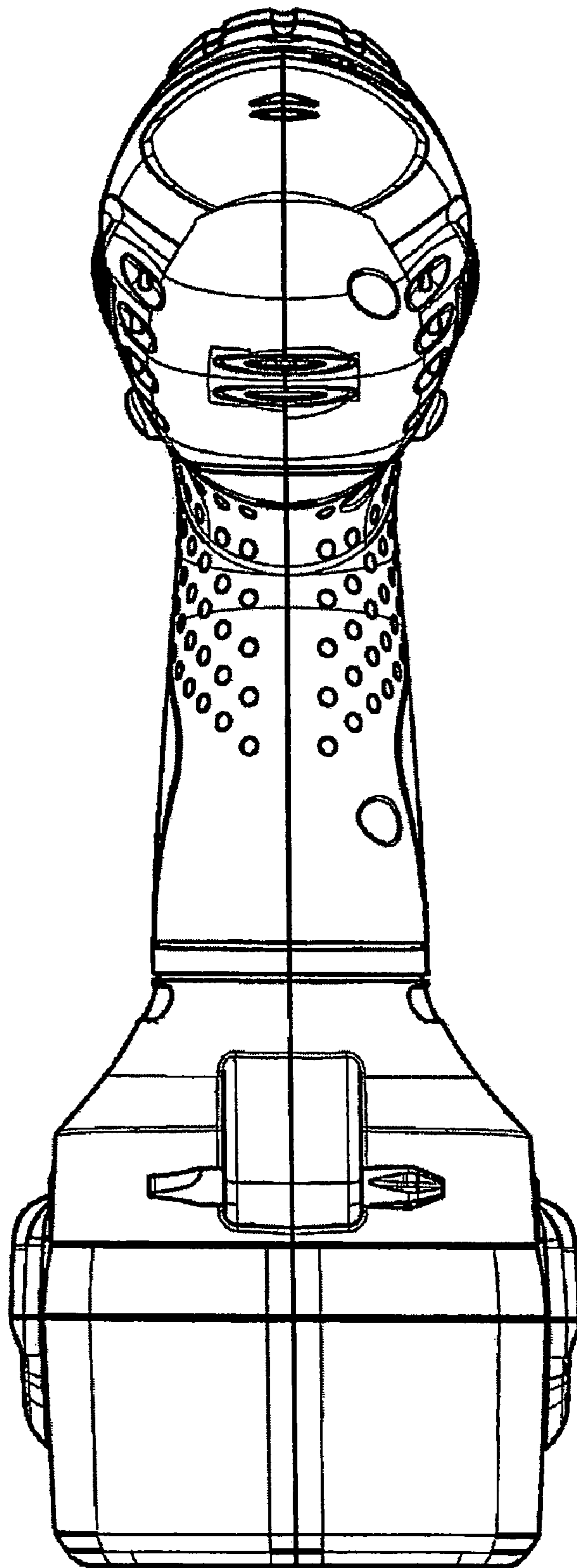


FIG. 19

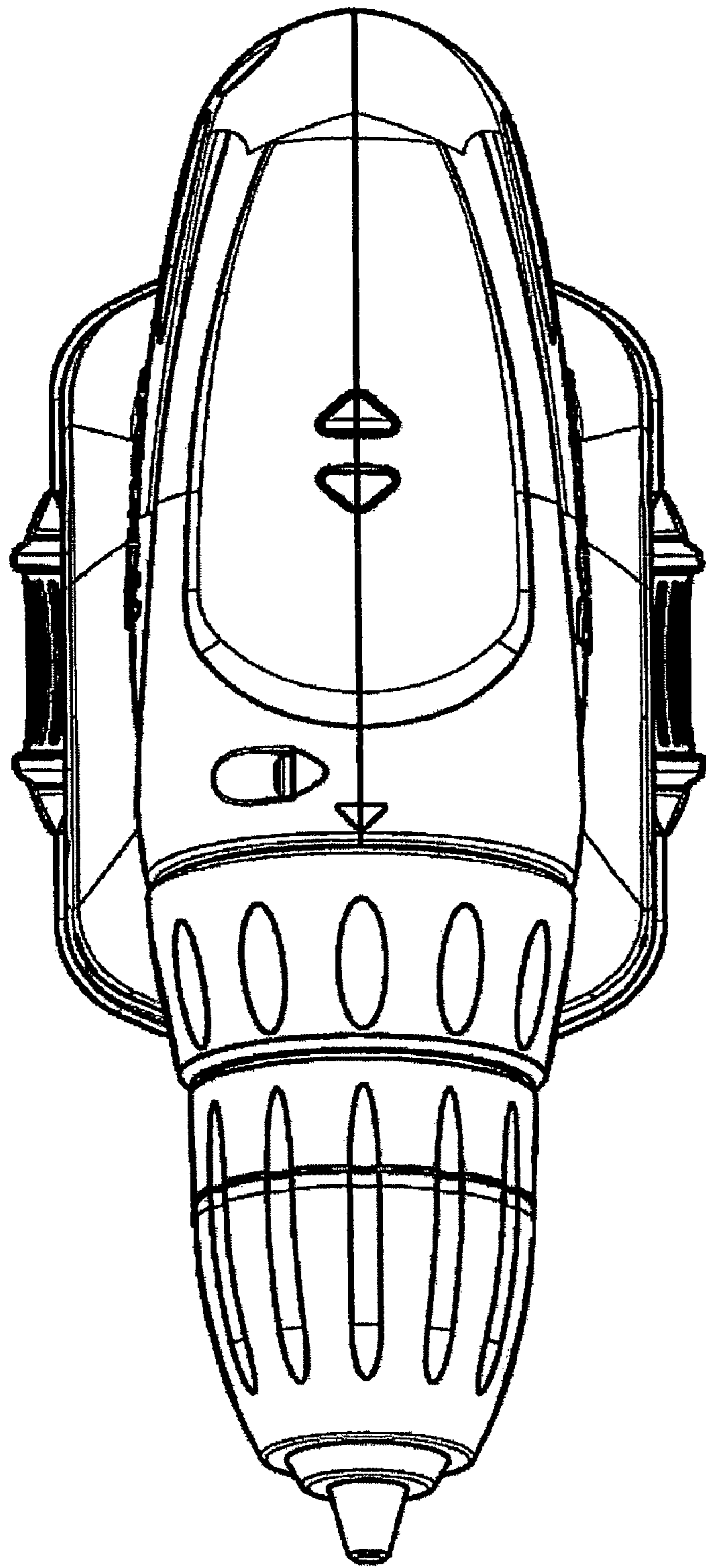


FIG. 20

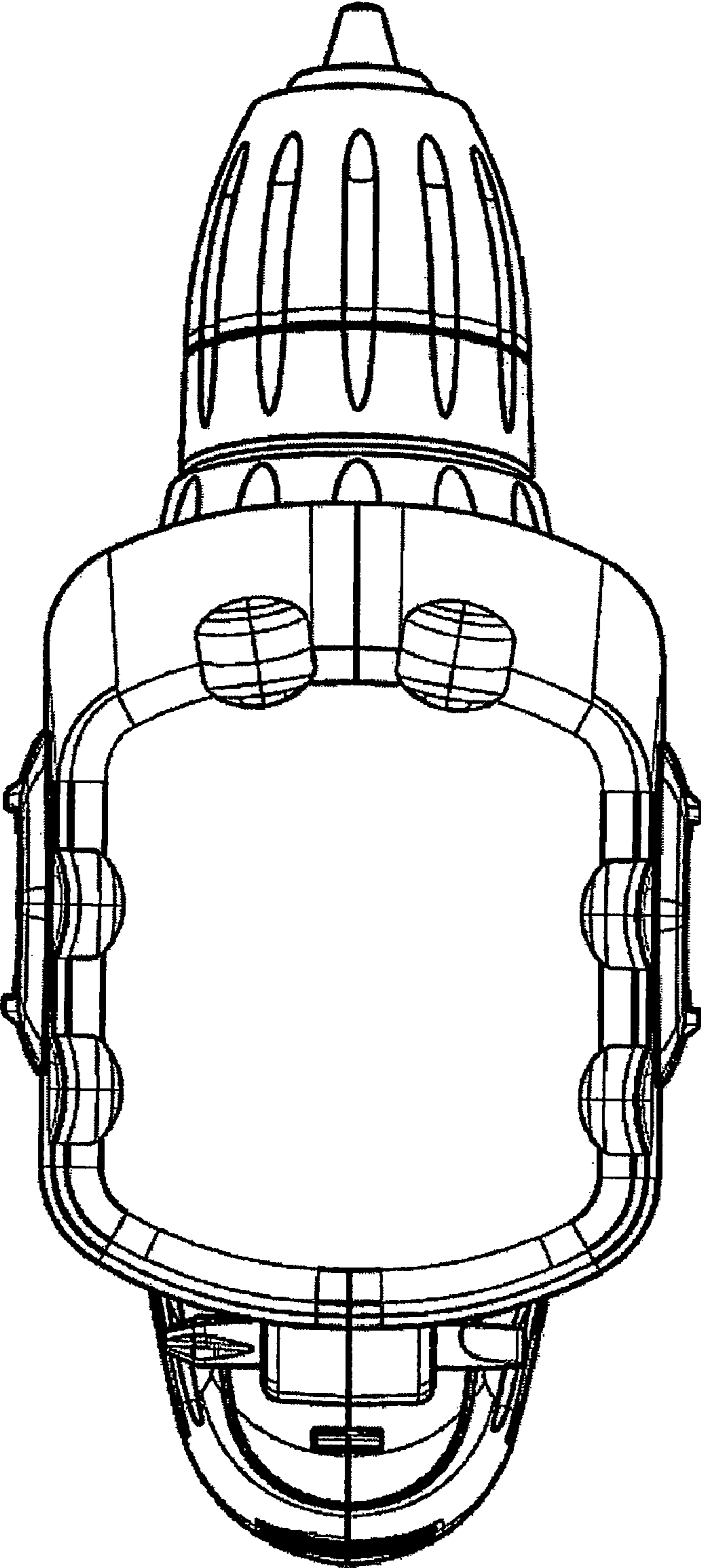


FIG. 21