



US00D592471S

(12) **United States Design Patent**
Rosko

(10) **Patent No.:** **US D592,471 S**
(45) **Date of Patent:** **** May 19, 2009**

(54) **NUT WRENCH**

(75) Inventor: **Michael Scot Rosko**, Greenwood, IN
(US)

(73) Assignee: **Masco Corporation of Indiana**,
Indianapolis, IN (US)

(**) Term: **14 Years**

(21) Appl. No.: **29/305,550**

(22) Filed: **Mar. 24, 2008**

(51) **LOC (9) Cl.** **08-05**

(52) **U.S. Cl.** **D8/28**

(58) **Field of Classification Search** D8/21-29,
D8/44, 81-87, 102-107, 98, 99, 55, 93, 94;
81/60-63.2, 177.1, 177.85, 177.8, 489, 125.1,
81/121.1, 119-120, 176.1, 186, 177.9, 185.1,
81/176.2, 165, 170, 3.35, 58, 3.345, 155;
206/378; 16/429, 441, 124.6; 7/100, 138,
7/168, 157; D24/146

See application file for complete search history.

(56) **References Cited**

U.S. PATENT DOCUMENTS

D277,160 S * 1/1985 Antone D8/40
5,005,448 A * 4/1991 Main 81/63
D324,630 S * 3/1992 Moeller D8/21

5,172,615 A * 12/1992 Albrecht 81/436
5,381,709 A * 1/1995 Louw 81/59.1
6,378,401 B1 * 4/2002 Lordahl et al. 81/124.4
D466,766 S * 12/2002 Marty et al. D8/21
6,976,408 B2 * 12/2005 Chen 81/60
D524,613 S * 7/2006 Chen D8/25
7,290,466 B1 * 11/2007 Wadsley 81/124.3

* cited by examiner

Primary Examiner—Philip S Hyder

Assistant Examiner—Randall H Gholson

(74) *Attorney, Agent, or Firm*—Edgar A. Zarins; Nirav D. Parikh

(57) **CLAIM**

The ornamental design for a nut wrench, as shown and described.

DESCRIPTION

FIG. 1 is a front perspective view of a nut wrench showing my design;

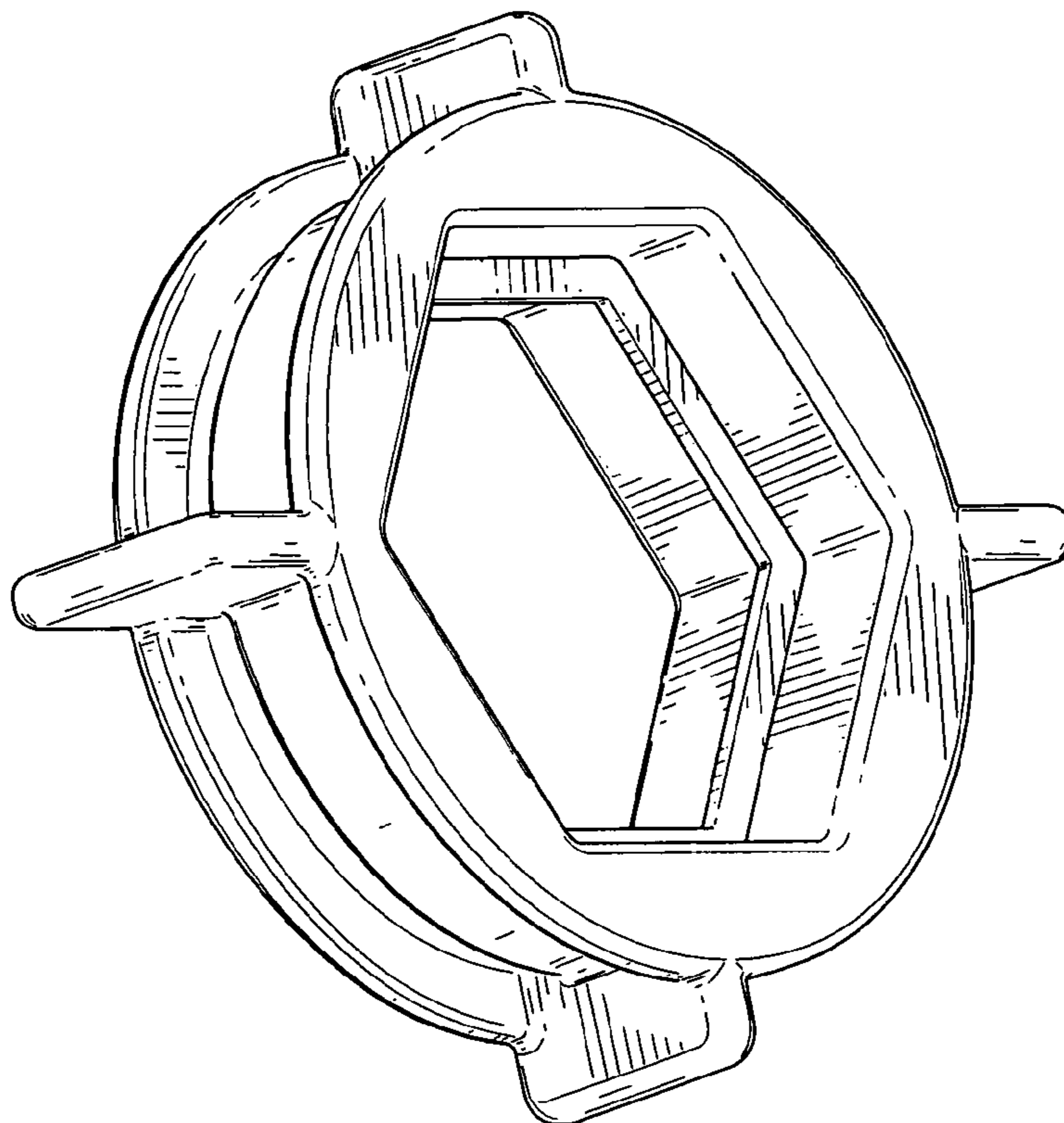
FIG. 2 is a front elevational view thereof;

FIG. 3 is a rear elevational view thereof;

FIG. 4 is a top plan view thereof; the bottom plan view being a mirror image thereof; and,

FIG. 5 is a left side elevational view thereof; the right side elevational view being a mirror image thereof.

1 Claim, 4 Drawing Sheets



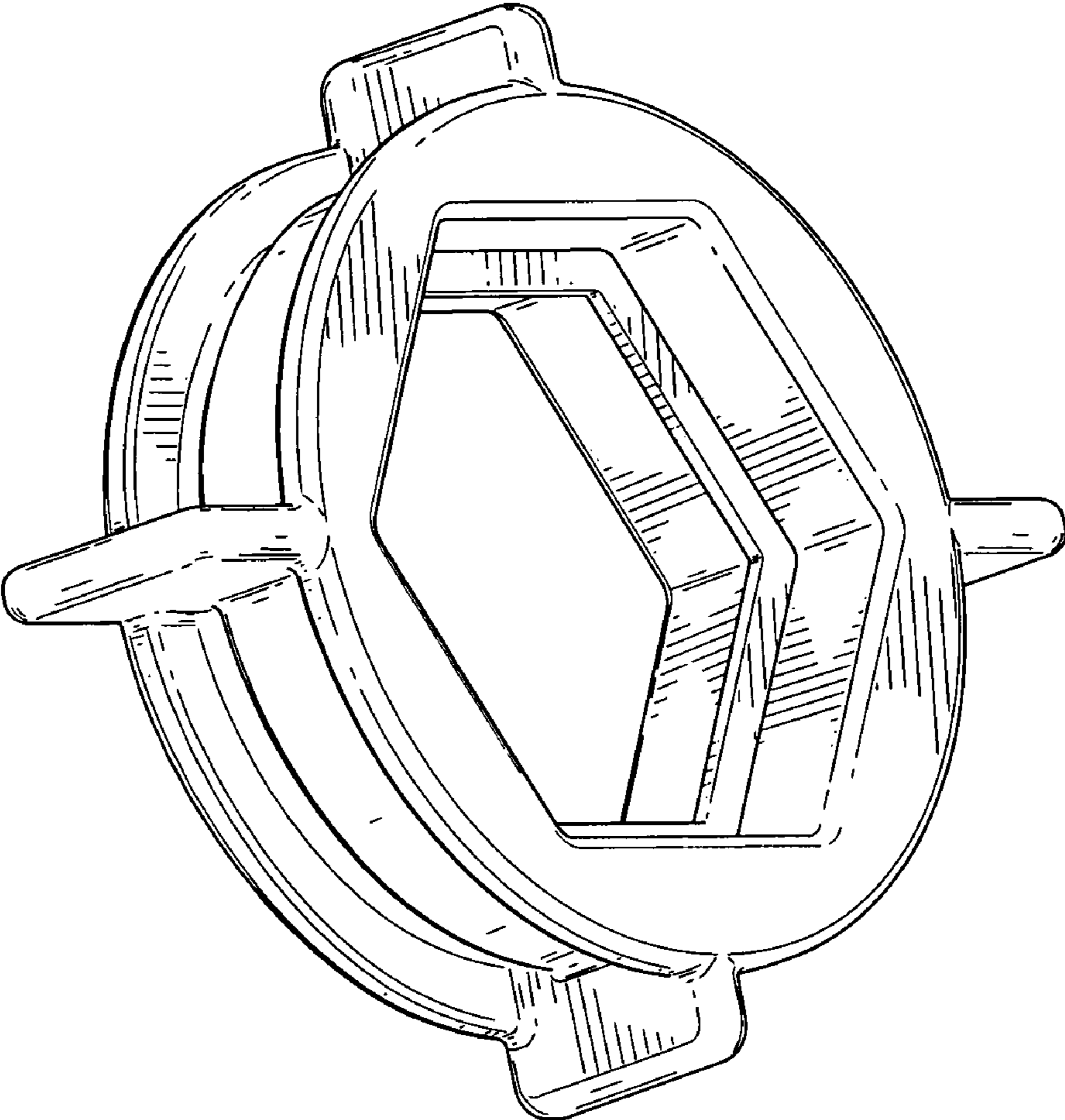


FIG. 1

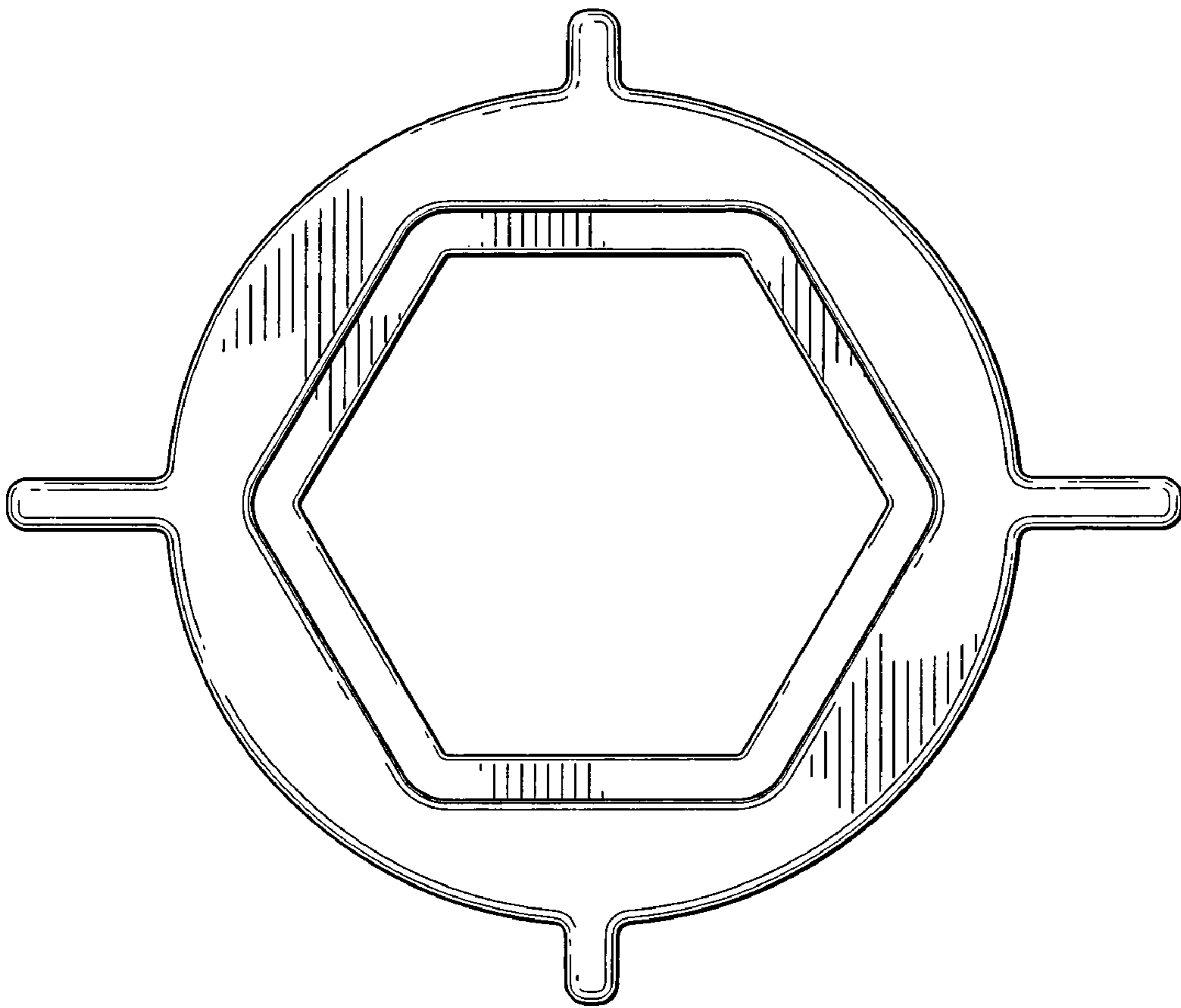


FIG. 2

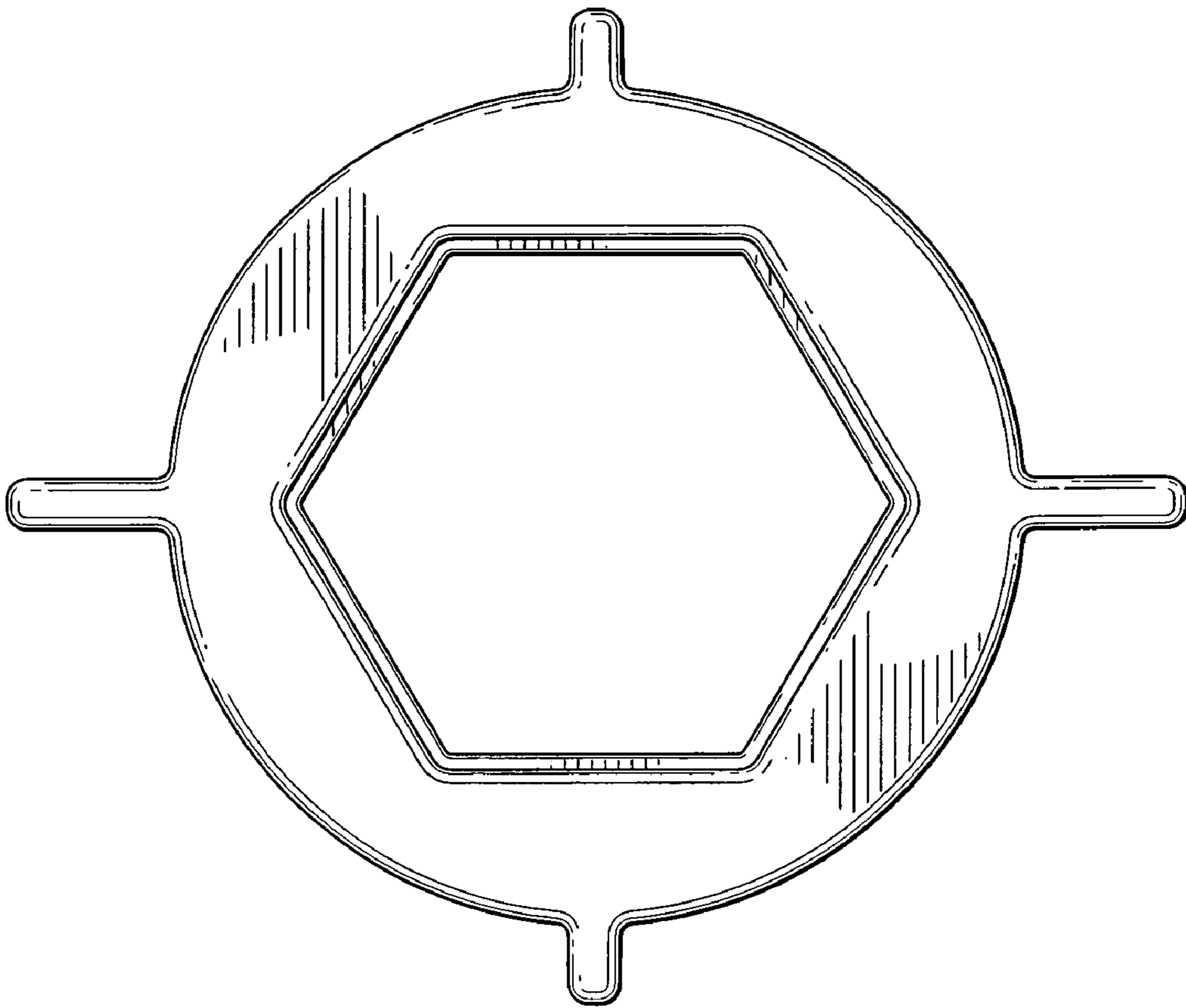


FIG. 3

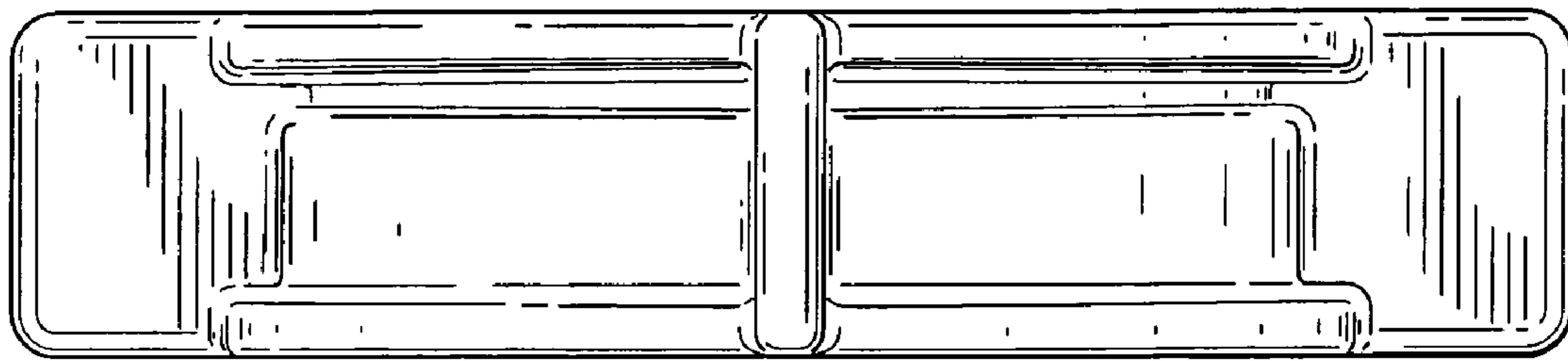


FIG. 4

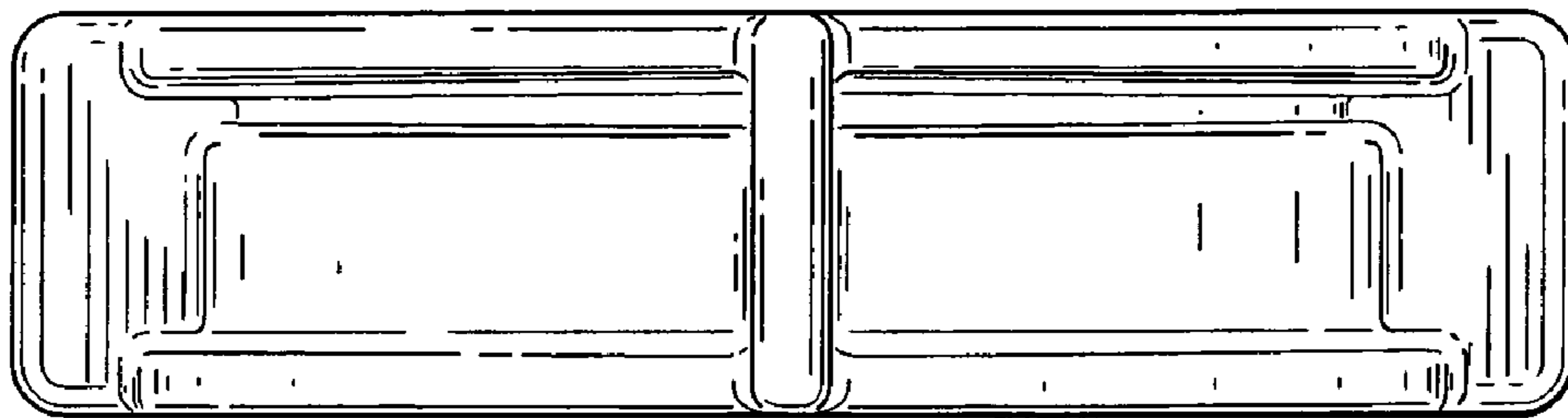


FIG. 5