

US00D592470S

(12) **United States Design Patent**
Burton

(10) **Patent No.:** **US D592,470 S**

(45) **Date of Patent:** **** May 19, 2009**

(54) **PAINT MASK**

D416,771 S * 11/1999 Cagle D8/14

(76) **Inventor:** **William Francis Burton**, 152 Beech St.,
Dover, TN (US) 37058

* cited by examiner

Primary Examiner—Philip S Hyder

(74) *Attorney, Agent, or Firm*—David D. Winters

(**) **Term:** **14 Years**

(21) **Appl. No.:** **29/308,137**

(57) **CLAIM**

(22) **Filed:** **May 29, 2008**

The ornamental design for “paint mask,” as shown and described.

(51) **LOC (9) Cl.** **08-05**

(52) **U.S. Cl.** **D8/14**

(58) **Field of Classification Search** D8/14;
D10/64; 118/504, 505; D20/41

See application file for complete search history.

DESCRIPTION

FIG. 1 is a front view of the paint mask.

FIG. 2 is a left side view of the paint mask.

FIG. 3 is a right side view of the paint mask.

FIG. 4 is a back view of the paint mask.

FIG. 5 is a top view of the paint mask; and,

FIG. 6 is a bottom view of the paint mask.

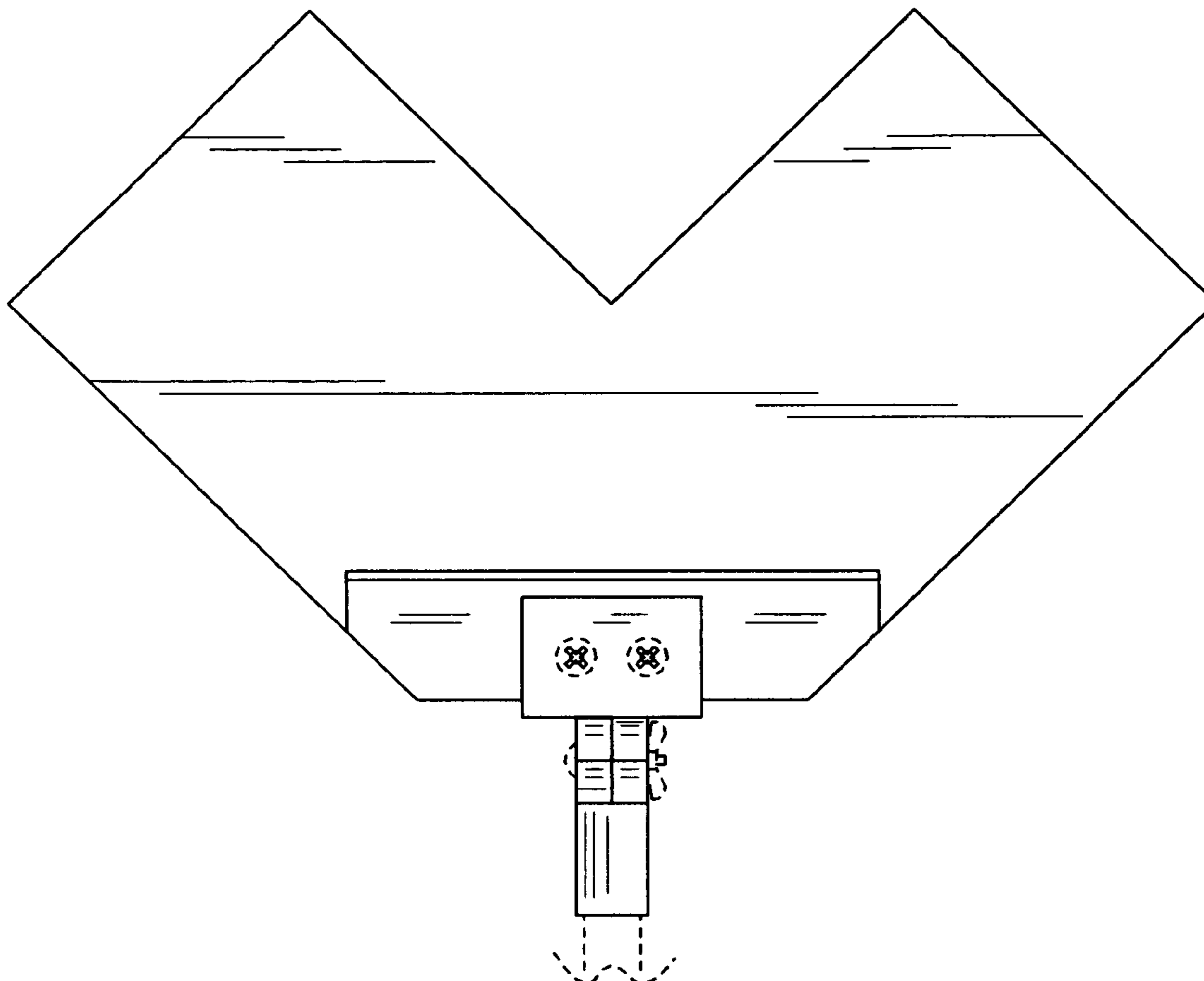
The broken line portions of the drawings are included for the purpose of illustrating environment and form no part of the claimed design.

(56) **References Cited**

U.S. PATENT DOCUMENTS

- D248,725 S * 8/1978 McClane D8/14
- 4,962,722 A * 10/1990 Thompson 118/504
- 5,103,762 A * 4/1992 Long et al. 118/504
- 5,429,677 A * 7/1995 Brown 118/504
- D392,855 S * 3/1998 Pillow D8/14
- D410,696 S * 6/1999 Powers D20/41

1 Claim, 3 Drawing Sheets



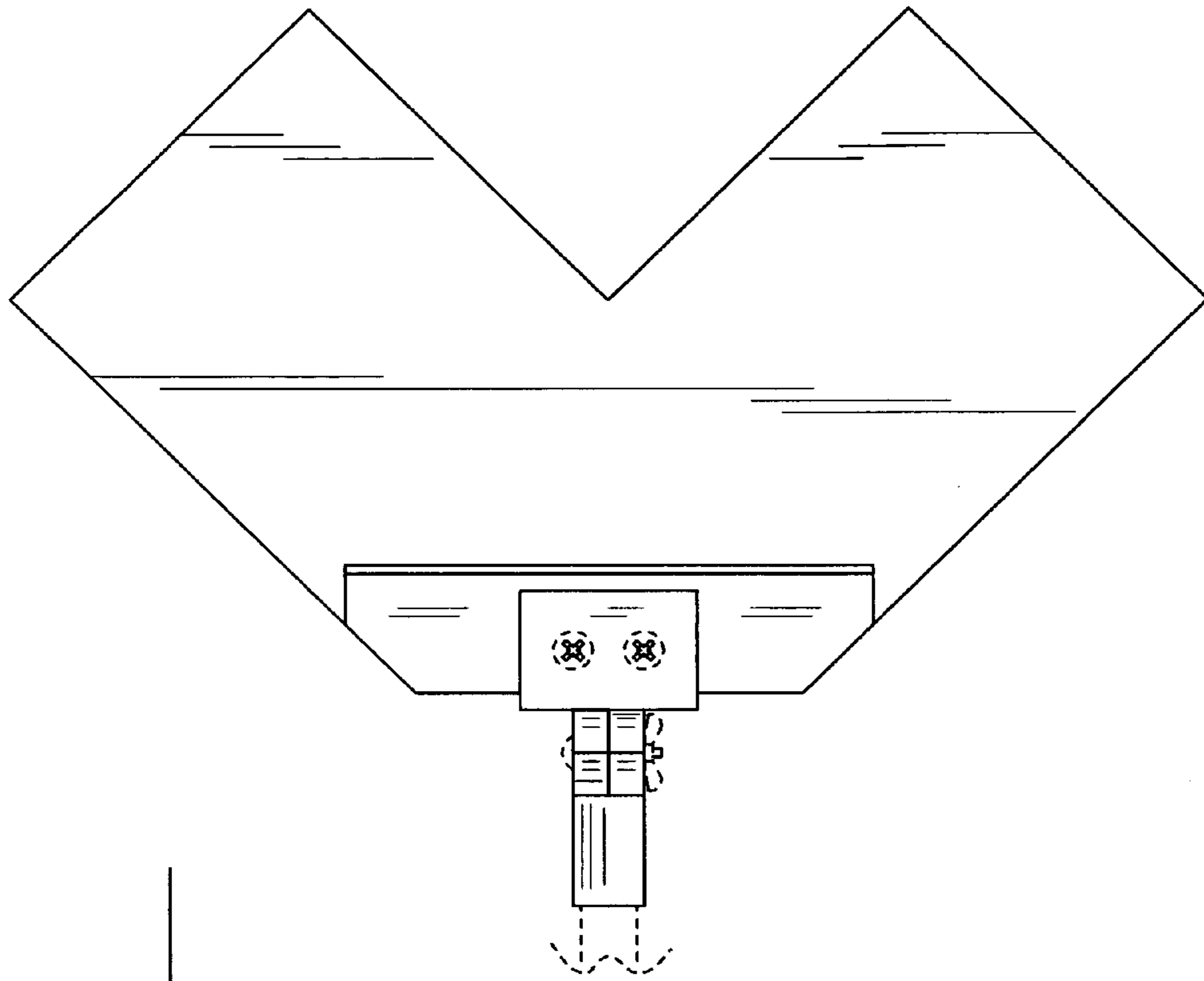


FIG. 1



FIG. 2



FIG. 3

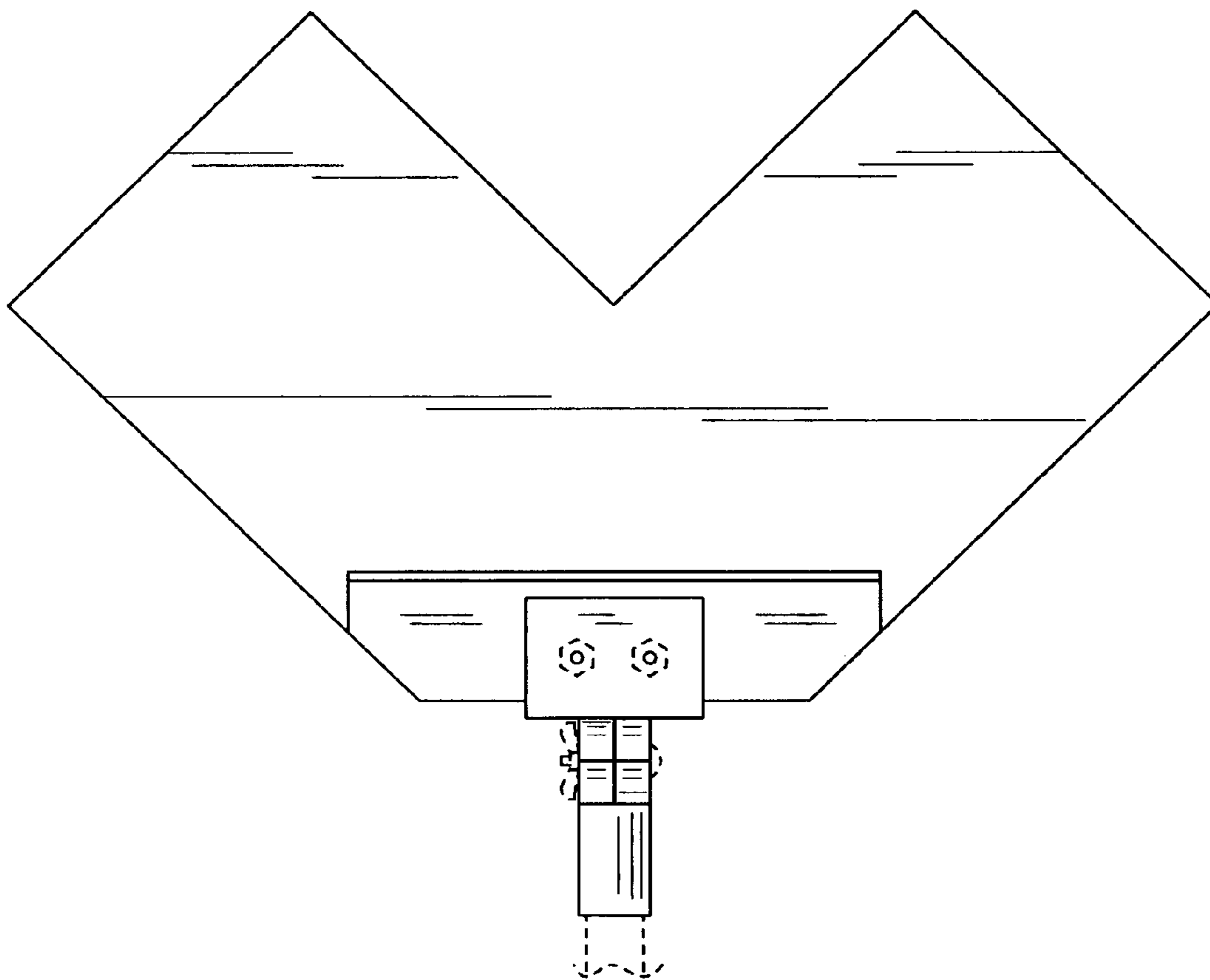


FIG. 4

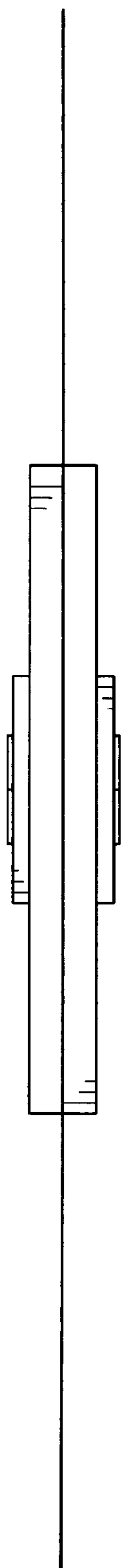


FIG. 5

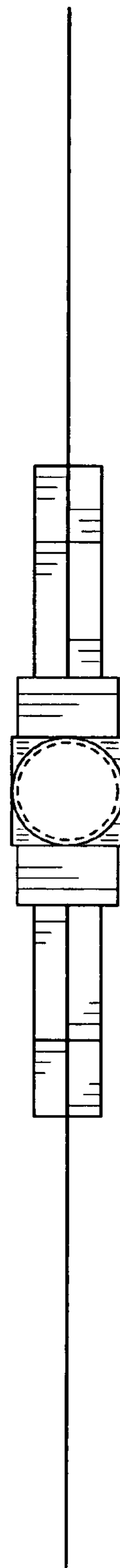


FIG. 6