

US00D592468S

(12) **United States Design Patent**  
**Goodman et al.**

(10) **Patent No.:** **US D592,468 S**

(45) **Date of Patent:** **\*\* May 19, 2009**

(54) **WINE RACK**

D376,299 S \* 12/1996 Audet ..... D7/704  
D458,813 S \* 6/2002 Goodman et al. .... D7/704  
D497,526 S \* 10/2004 Sanders et al. .... D7/707

(75) Inventors: **Sheldon H. Goodman**, Solon, OH (US);  
**Omer I. Sazir**, Cleveland, OH (US)

\* cited by examiner

(73) Assignee: **Spectrum Diversified Designs, Inc.**,  
Streetsboro, OH (US)

*Primary Examiner*—Terry A Wallace  
(74) *Attorney, Agent, or Firm*—Pearne & Gordon LLP

(\*\*) Term: **14 Years**

(57) **CLAIM**

(21) Appl. No.: **29/303,482**

The ornamental design for a wine rack, as shown and described.

(22) Filed: **Feb. 11, 2008**

(51) **LOC (9) Cl.** ..... **06-04**

(52) **U.S. Cl.** ..... **D7/704**

(58) **Field of Classification Search** ..... D7/701–708,  
D7/600.1–600.4; D6/449, 455, 477–479,  
D6/468, 514; 211/74, 13.01, 10, 126.11,  
211/85.31, 181, 126.12

See application file for complete search history.

**DESCRIPTION**

FIG. 1 is a perspective view of a wine rack, showing our new design;

FIG. 2 is a front elevational view thereof;

FIG. 3 is a top plan view thereof;

FIG. 4 is a side elevational view thereof;

FIG. 5 is a bottom plan view thereof; and,

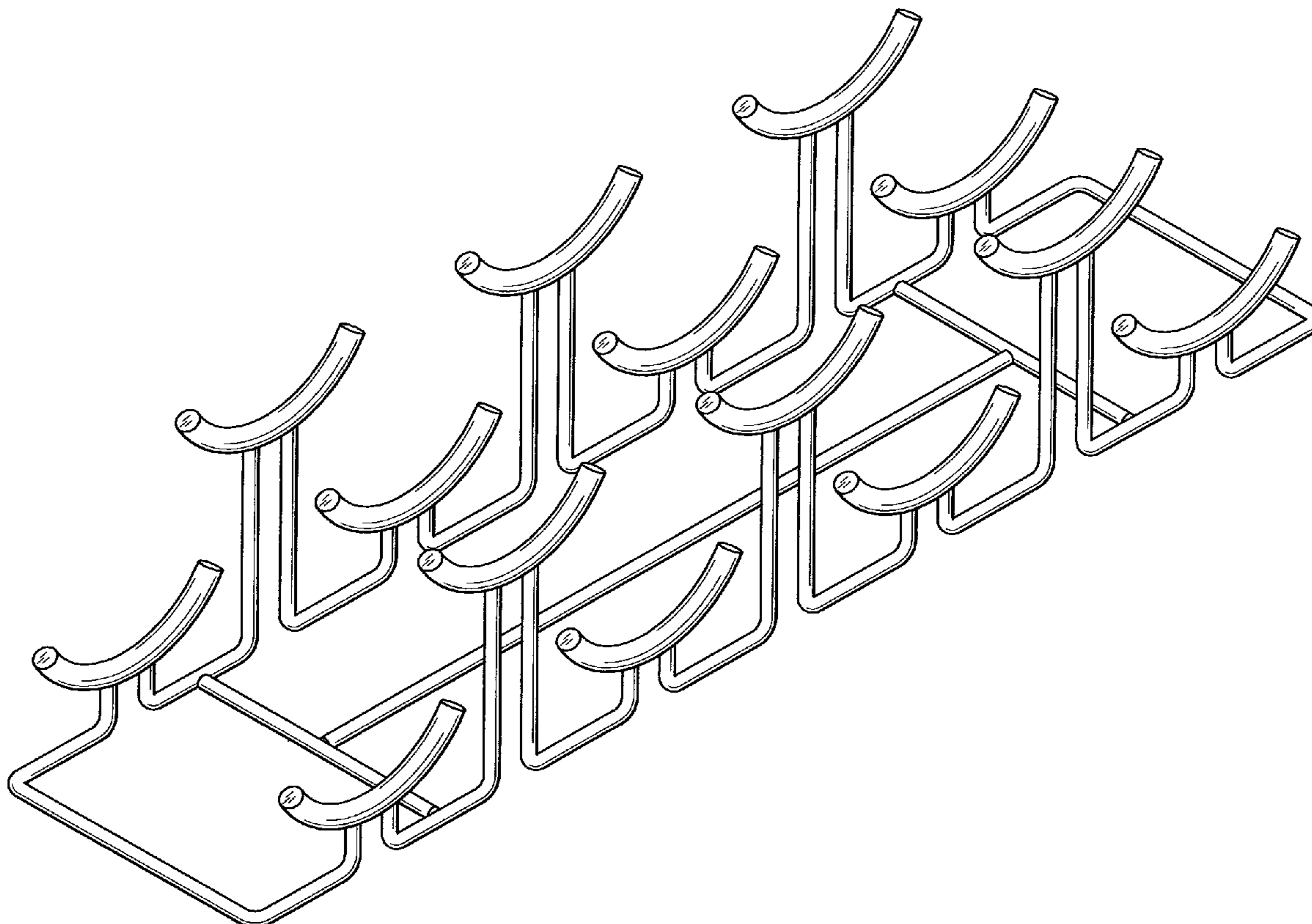
FIG. 6 is a perspective view of a second embodiment of a wine rack, wherein the broken segments disclose indeterminate length and the wine rack may be longer and include more of the wine bottle holders.

(56) **References Cited**

**U.S. PATENT DOCUMENTS**

D218,616 S \* 9/1970 Owen, Jr. .... D6/468  
D243,738 S \* 3/1977 Johnson ..... D7/704  
D252,550 S \* 8/1979 Johnson ..... D7/708  
D260,463 S \* 9/1981 Imus ..... D6/514

**1 Claim, 4 Drawing Sheets**



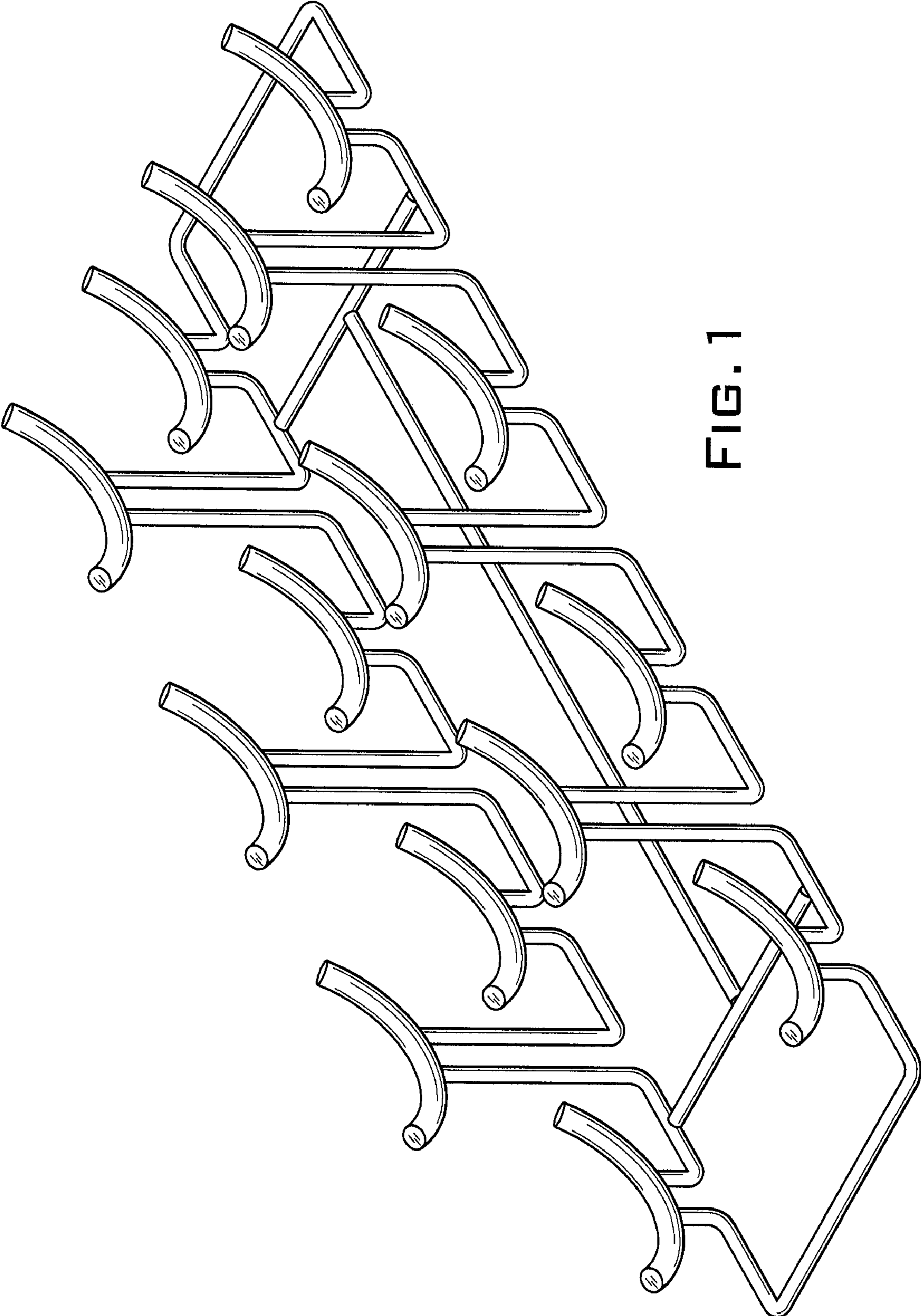


FIG. 1

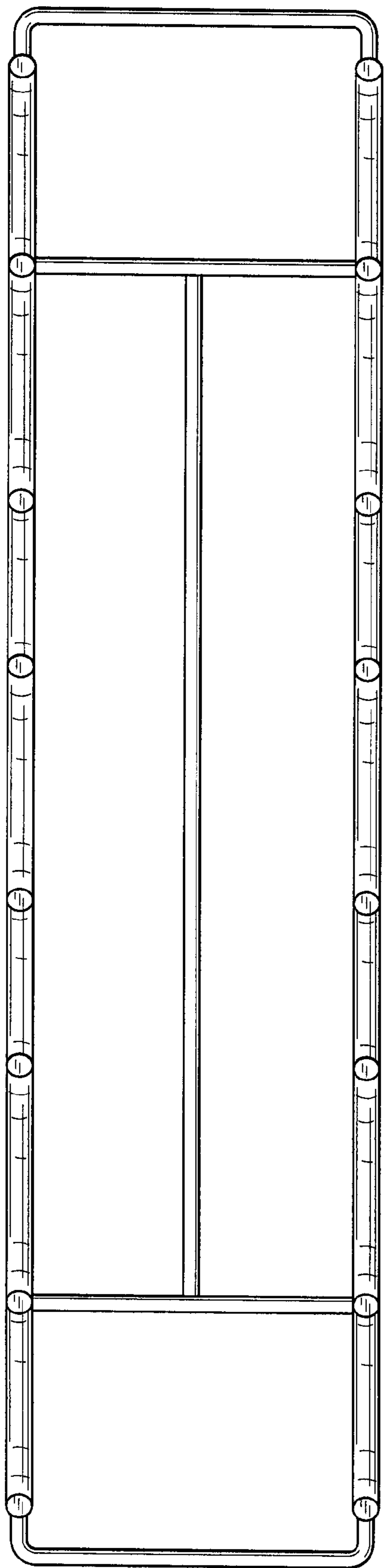


FIG. 3

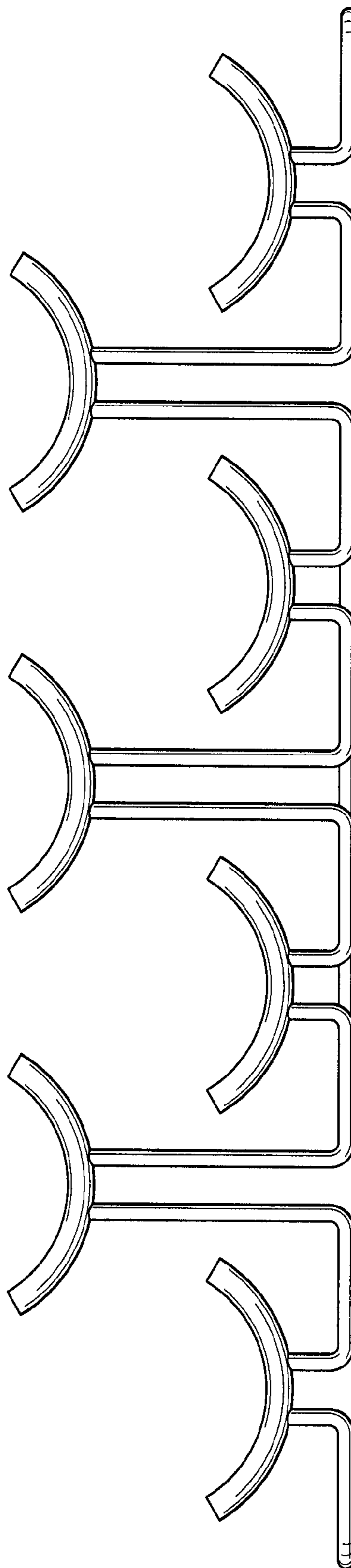


FIG. 2

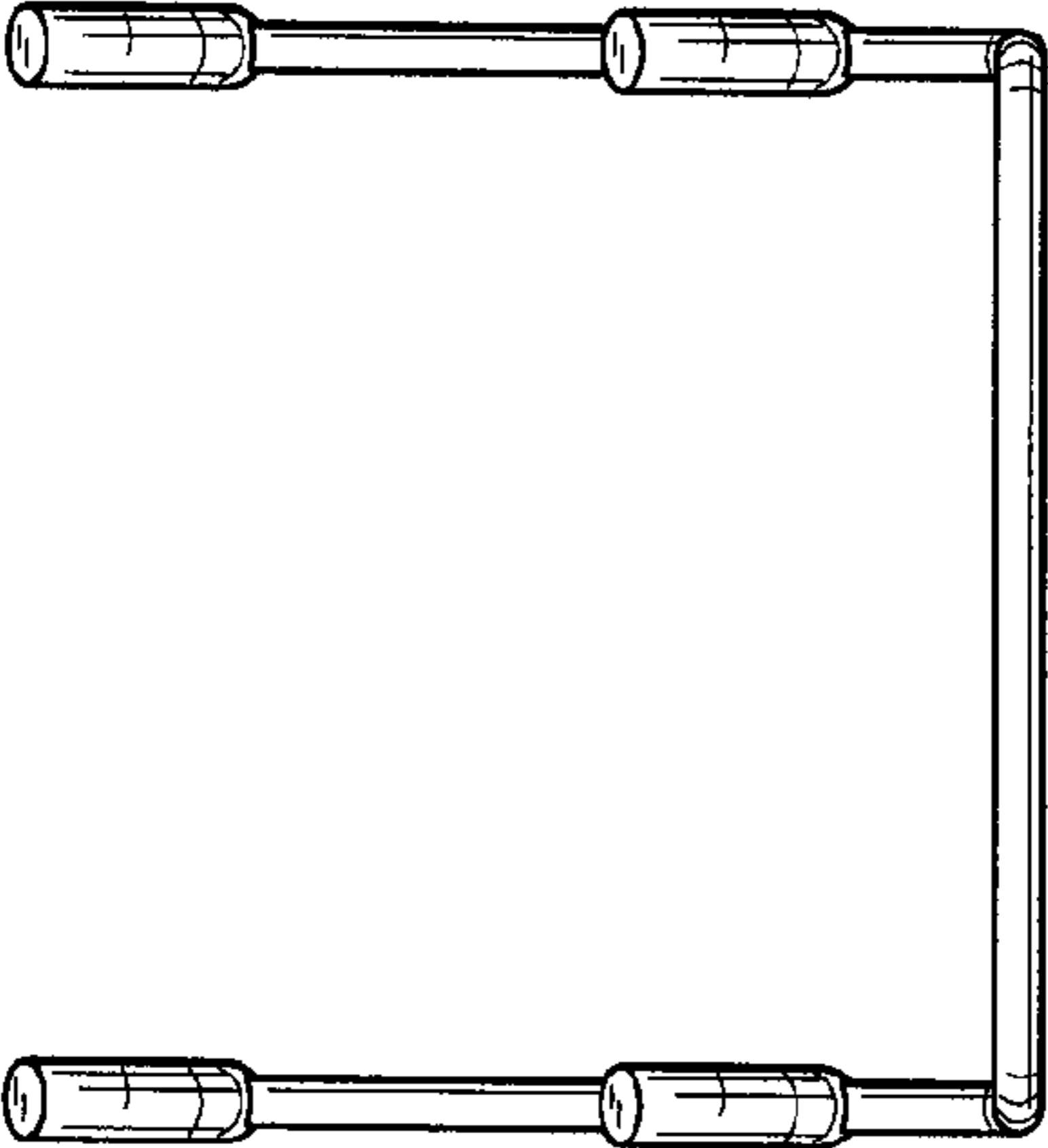


FIG. 4

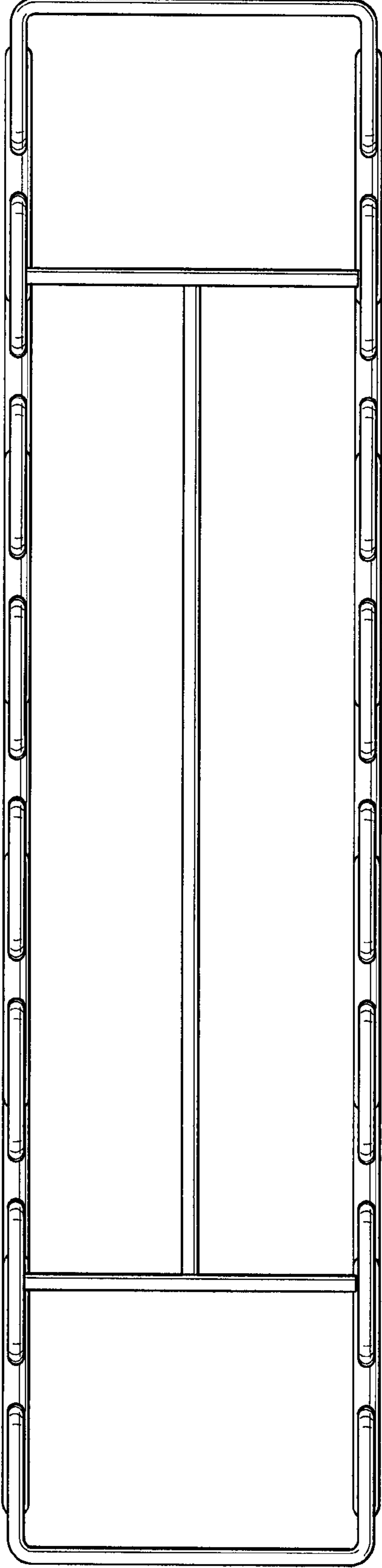


FIG. 5

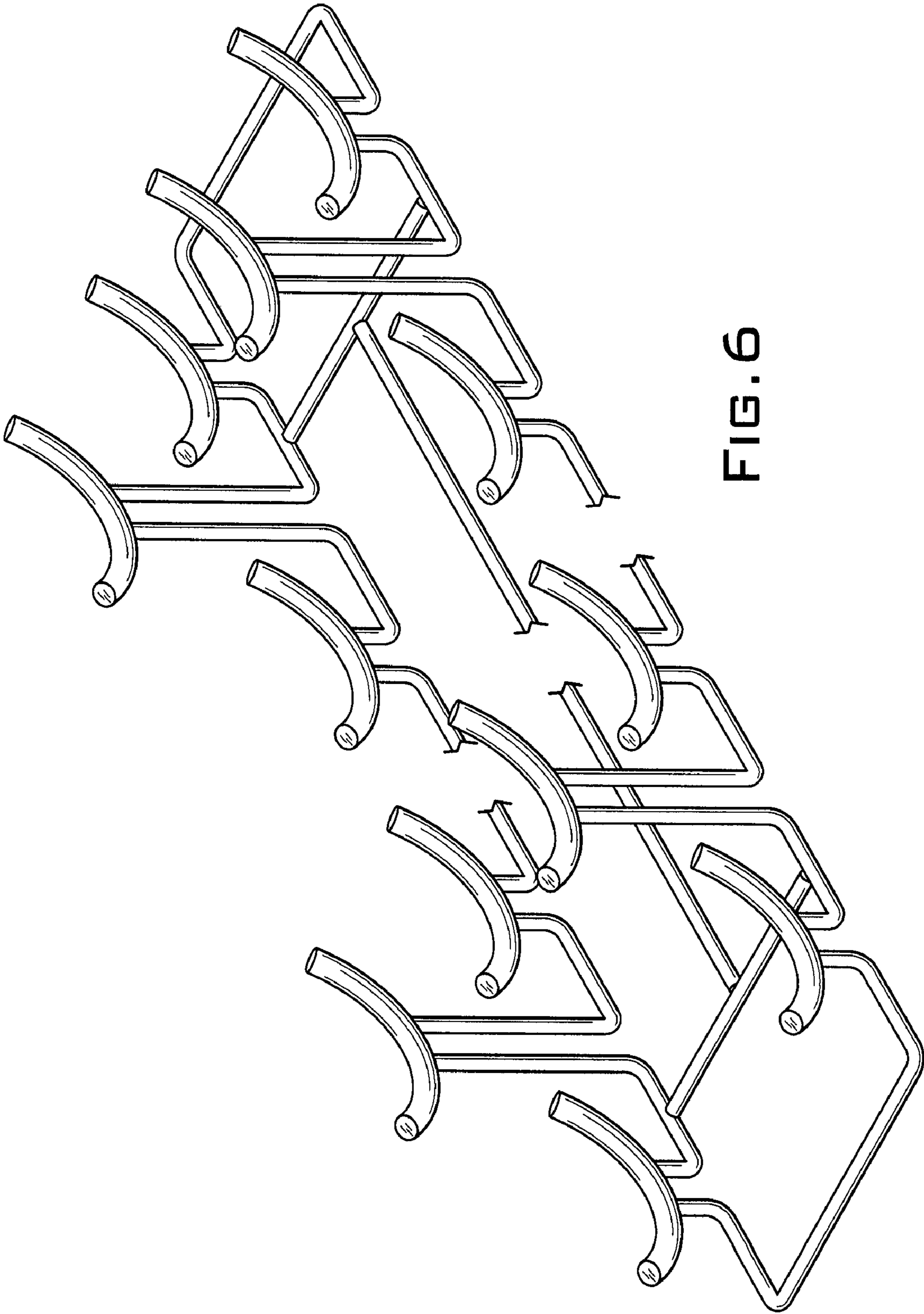


FIG. 6