



US00D592464S

(12) **United States Design Patent**  
**Goodman et al.**

(10) **Patent No.:** **US D592,464 S**

(45) **Date of Patent:** **\*\* May 19, 2009**

(54) **SPOON REST**

(75) Inventors: **Sheldon H. Goodman**, Solon, OH (US);  
**Omer I. Sazir**, Cleveland, OH (US)

(73) Assignee: **Spectrum Diversified Designs, Inc.**,  
Streetsboro, OH (US)

(\*\*) Term: **14 Years**

(21) Appl. No.: **29/297,486**

(22) Filed: **Nov. 13, 2007**

(51) **LOC (9) Cl.** ..... **07-01**

(52) **U.S. Cl.** ..... **D7/637**

(58) **Field of Classification Search** ..... D7/601,  
D7/619.1, 624.1, 637, 640, 641; D24/227,  
D24/228; 211/41.1, 41.2, 41.7, 60.1, 70.6,  
211/70.7, 74-75, 13.1; 248/37.3, 37.6, 176.1,  
248/176.2, 311.2; D6/512, 532-533

See application file for complete search history.

(56) **References Cited**

**U.S. PATENT DOCUMENTS**

D394,370 S \* 5/1998 Hollinger ..... D7/637

D475,898 S \* 6/2003 Kaposi ..... D7/638

D511,944 S \* 11/2005 Kaposi ..... D7/638

D532,259 S \* 11/2006 Goodman et al. .... D7/637

D539,102 S \* 3/2007 Goodman et al. .... D7/637

D582,219 S \* 12/2008 Prevost et al. .... D7/638

\* cited by examiner

*Primary Examiner*—Charles A Rademaker

*Assistant Examiner*—Dana L Sipos

(74) *Attorney, Agent, or Firm*—Pearne & Gordon LLP

(57) **CLAIM**

The ornamental design for a spoon rest, as shown and described.

**DESCRIPTION**

FIG. 1 is a perspective view of a spoon rest, showing our new design;

FIG. 2 is a front elevational view thereof;

FIG. 3 is a top plan view thereof;

FIG. 4 is a side elevational view thereof; and,

FIG. 5 is a rear elevational view thereof.

The dotted-line disclosure of elements in the views is for illustrative purposes only and forms no part of the claimed design.

**1 Claim, 2 Drawing Sheets**

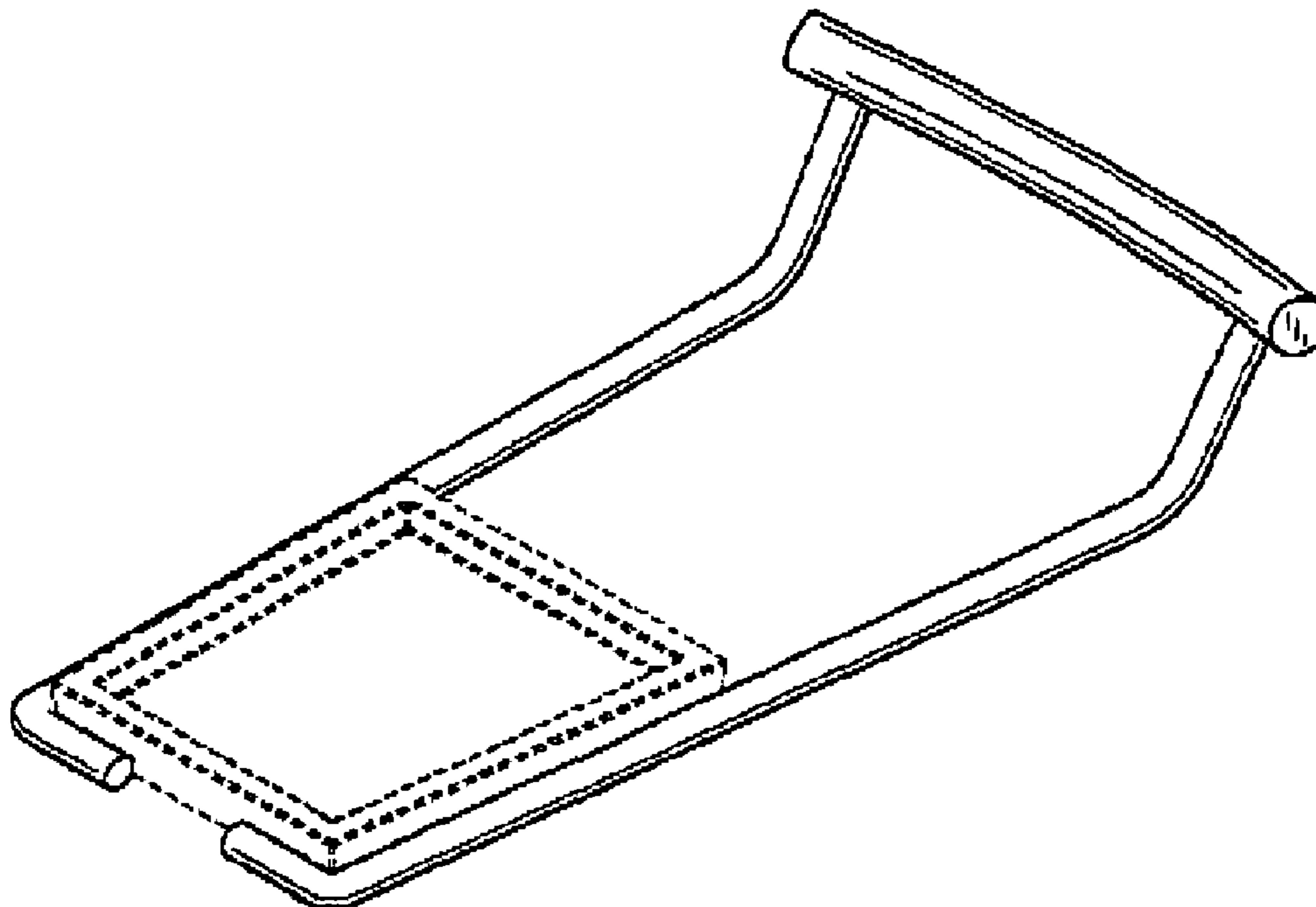


FIG. 1

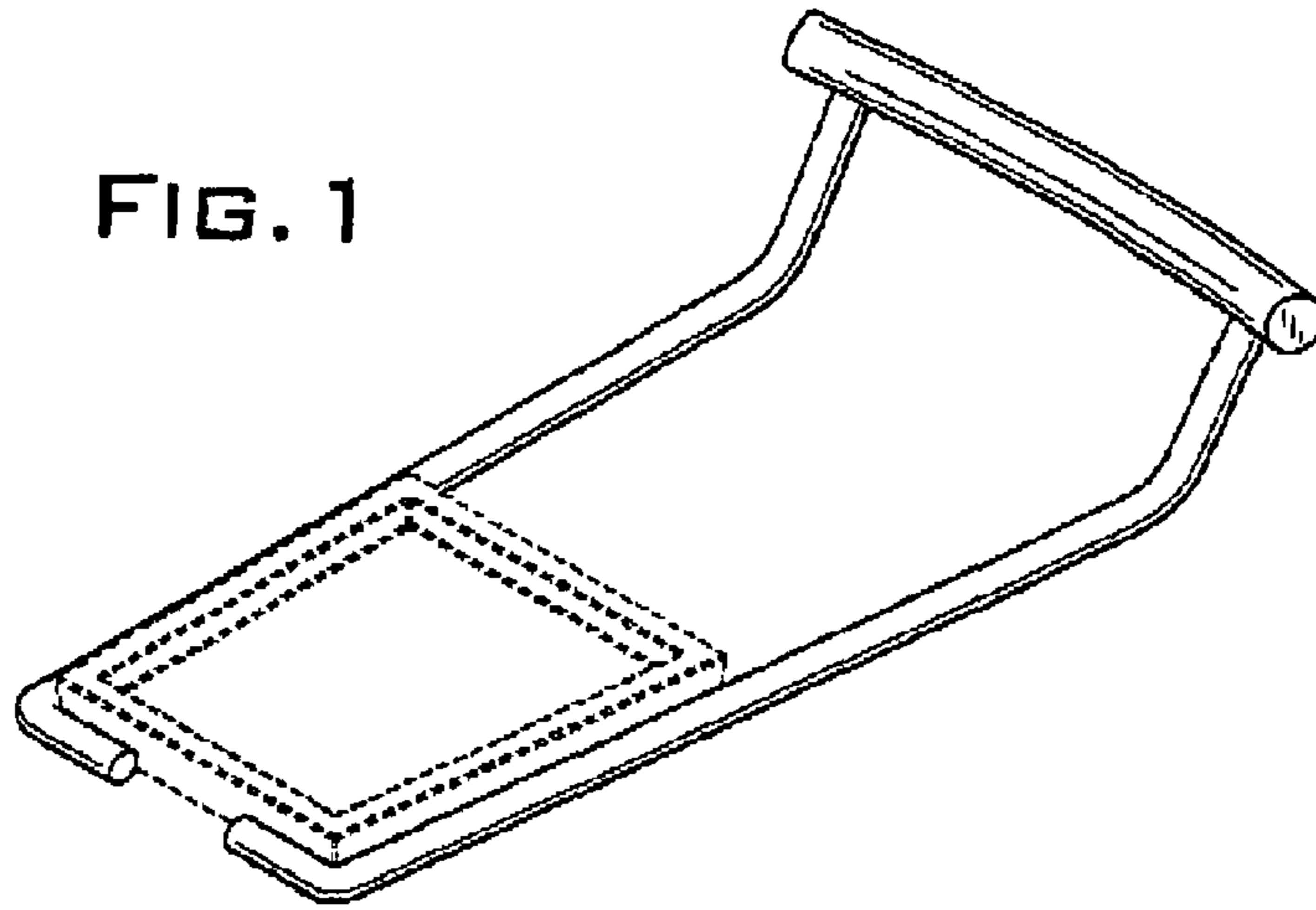


FIG. 3

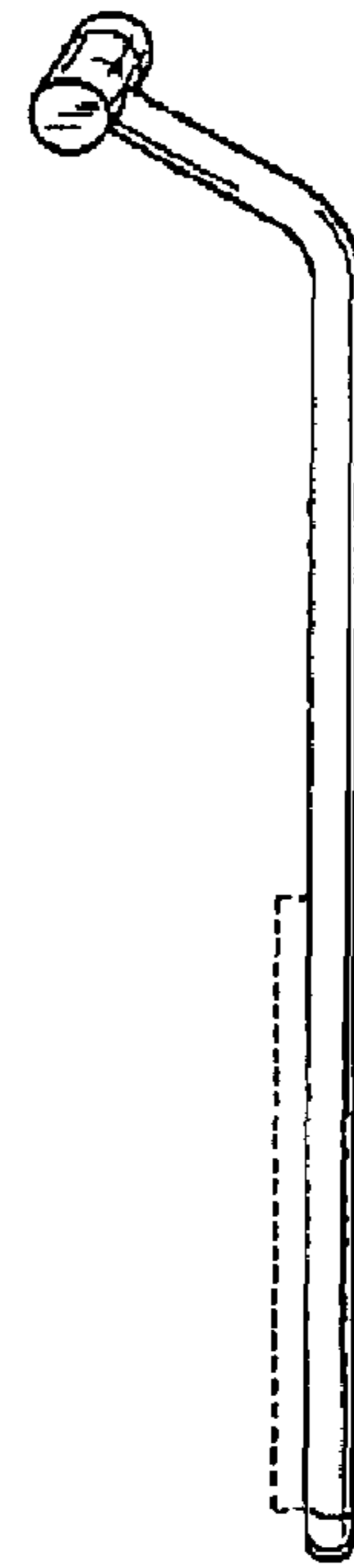
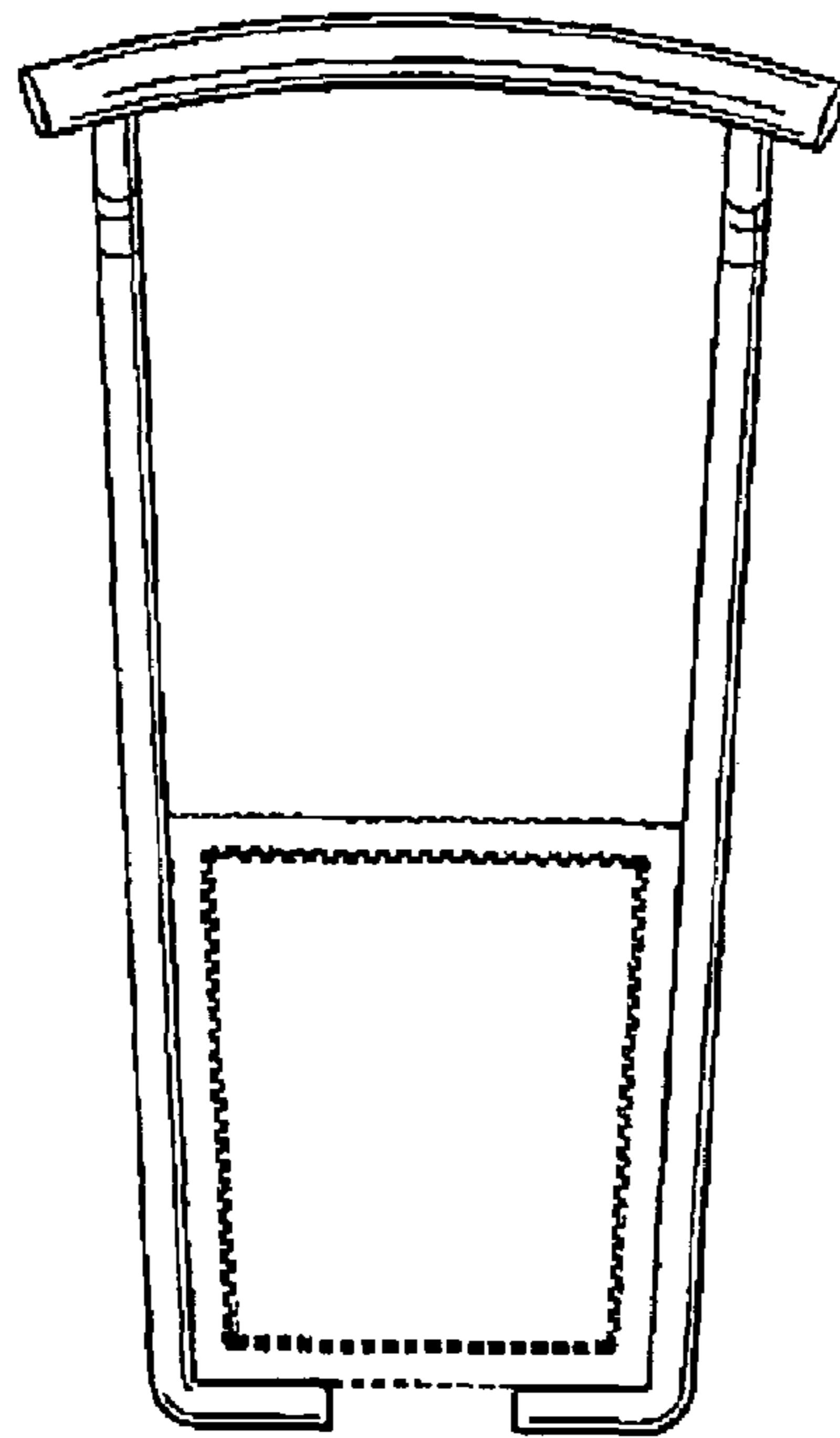


FIG. 4

FIG. 2

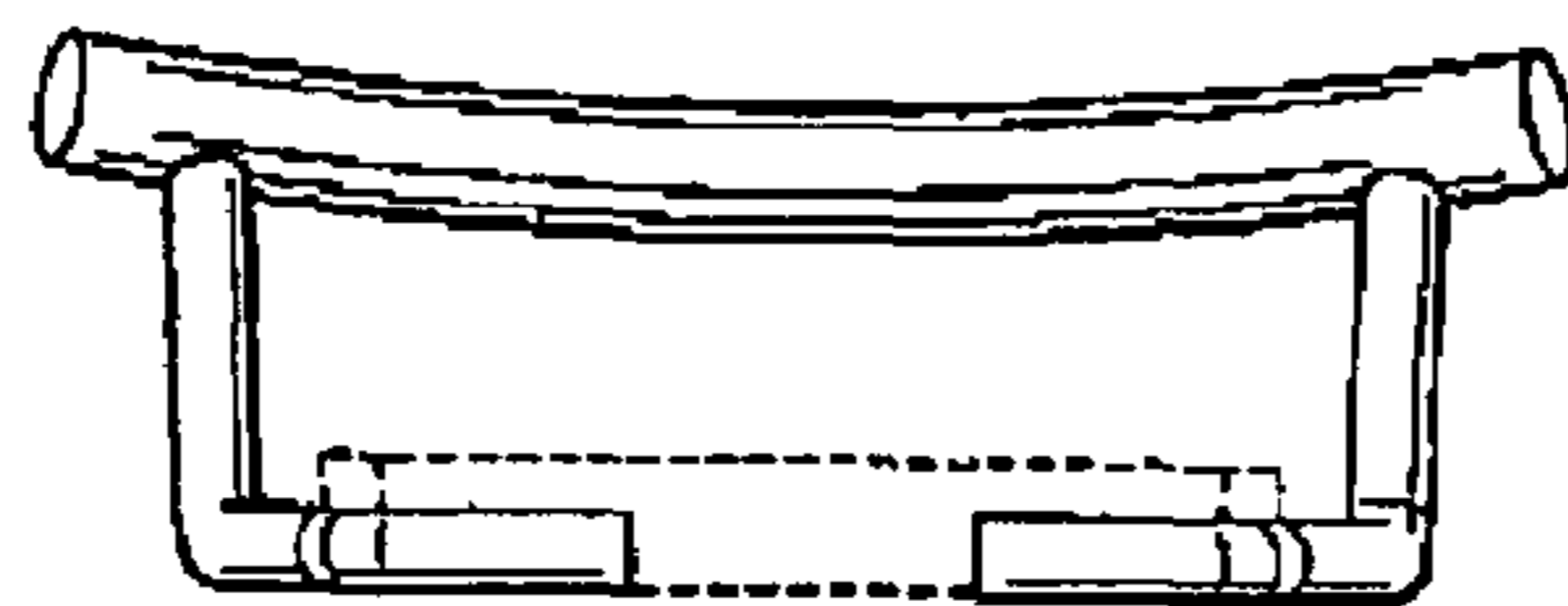


FIG. 5

