

US00D592457S

(12) **United States Design Patent**  
**Mansfield**

(10) **Patent No.:** **US D592,457 S**

(45) **Date of Patent:** **\*\* May 19, 2009**

(54) **DRINKING VESSEL**

(76) Inventor: **Bryan D. Mansfield**, 9020 Ogleby  
Creek Rd., Myakka City, FL (US) 34251

(\*\*) Term: **14 Years**

(21) Appl. No.: **29/321,378**

(22) Filed: **Jul. 15, 2008**

**Related U.S. Application Data**

(62) Division of application No. 29/278,378, filed on Mar.  
27, 2007, now Pat. No. Des. 572,976.

(51) **LOC (9) Cl.** ..... **07-01**

(52) **U.S. Cl.** ..... **D7/523; D7/509; D7/515**

(58) **Field of Classification Search** ..... D7/300,  
D7/302, 500, 506, 514, 515, 523, 524, 584;  
D9/428, 503, 521, 556; D11/143; D24/107,  
D24/112, 116, 117, 222, 224, 226; D27/186;  
211/69.4; 220/592.17, 592.16, 703; 215/DIG. 7  
See application file for complete search history.

(56) **References Cited**

**U.S. PATENT DOCUMENTS**

604,514	A *	5/1898	Belden	.....	215/382
924,969	A *	6/1909	De Wolf	.....	73/426
1,727,195	A *	9/1929	Black	.....	141/300
D226,443	S *	3/1973	Achenbach	.....	D7/523
D232,355	S *	8/1974	Wiedmann	.....	D24/224
D246,467	S *	11/1977	Kurata	.....	D24/224
D285,999	S *	10/1986	Ludwick et al.	.....	D7/523
D286,072	S *	10/1986	Miller	.....	D24/224
D286,570	S *	11/1986	Williams	.....	D24/222
D287,639	S *	1/1987	Moore et al.	.....	D24/224
D300,561	S *	4/1989	Asa et al.	.....	D24/112
D318,728	S *	7/1991	Braune	.....	D24/224
5,073,347	A *	12/1991	Garren et al.	.....	422/100
D384,418	S *	9/1997	Torti et al.	.....	D24/222
D397,226	S *	8/1998	Kelly et al.	.....	D24/224
D399,571	S *	10/1998	Kelly et al.	.....	D24/224
D425,618	S *	5/2000	Niermann et al.	.....	D24/122
D434,511	S *	11/2000	Parker	.....	D26/9

D447,957	S *	9/2001	Lichtman et al.	.....	D9/556
6,641,881	B1 *	11/2003	Darr	.....	428/35.7
6,749,078	B2 *	6/2004	Iskra	.....	220/23.87
D517,920	S *	3/2006	Abadinsky	.....	D9/552
D519,840	S *	5/2006	Abadinsky	.....	D9/502
D519,868	S *	5/2006	Sasano et al.	.....	D10/103
7,186,671	B2 *	3/2007	Smith et al.	.....	502/415
D543,783	S *	6/2007	Goldberg	.....	D7/523
D568,105	S *	5/2008	Mansfield	.....	D7/524
D568,685	S *	5/2008	Bodum	.....	D7/523
2002/0102184	A1 *	8/2002	Co	.....	422/100
2004/0123680	A1 *	7/2004	Judic	.....	73/864.01

\* cited by examiner

*Primary Examiner*—Philip S Hyder  
*Assistant Examiner*—Cynthia Underwood  
(74) *Attorney, Agent, or Firm*—Mark Douma

(57) **CLAIM**

I claim the ornamental design for a drinking vessel, as shown and described.

**DESCRIPTION**

FIG. 1 is a top and side perspective view of a drinking vessel showing my new design;

FIG. 2 is a side elevation view thereof, wherein all the claimed elements appear the same from all sides;

FIG. 3 is a top plan view thereof;

FIG. 4 is a bottom plan view thereof;

FIG. 5 is a vertical longitudinal sectional view along line 5—5 of FIG. 3;

FIG. 6 is a top and side perspective view of a second embodiment showing my new design;

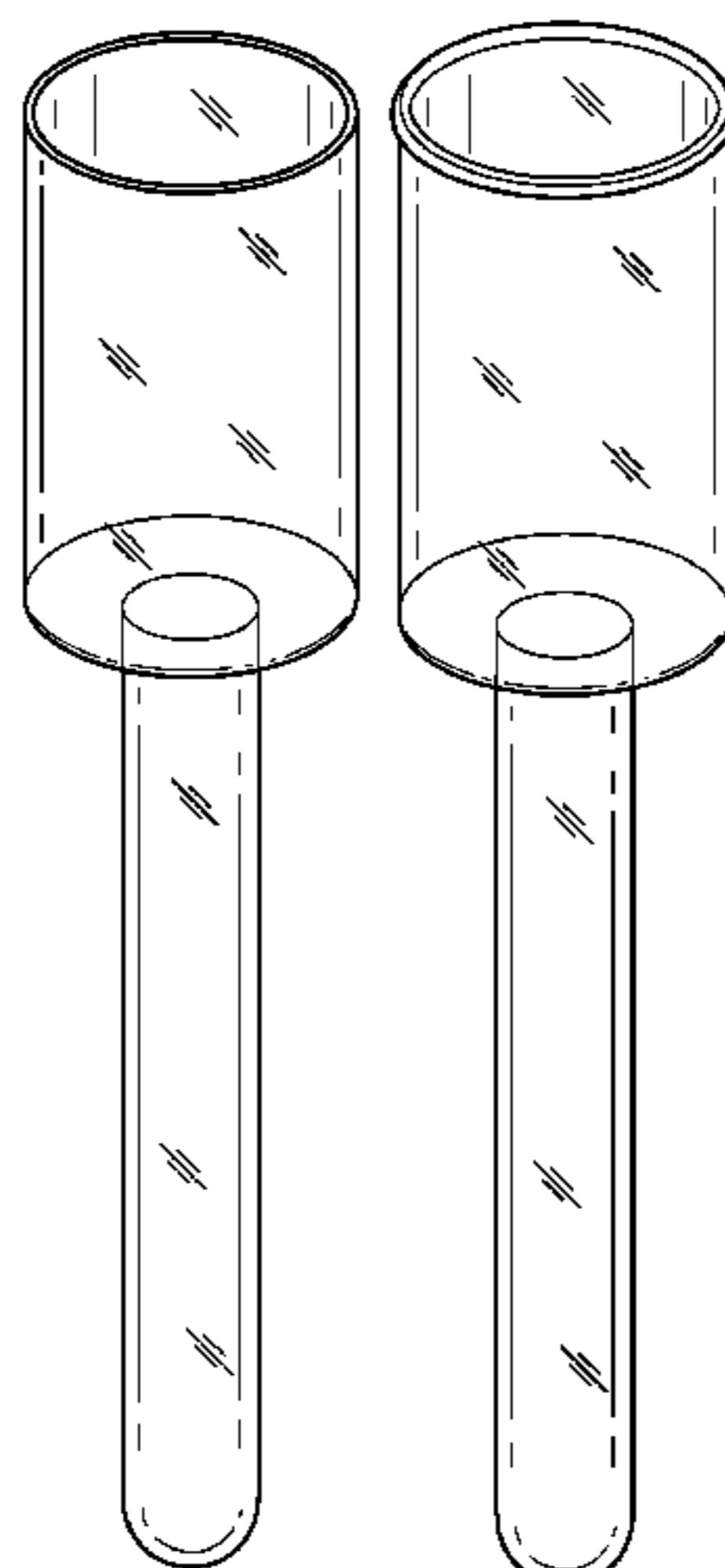
FIG. 7 is a side elevation view thereof, wherein all the claimed elements appear the same from all sides;

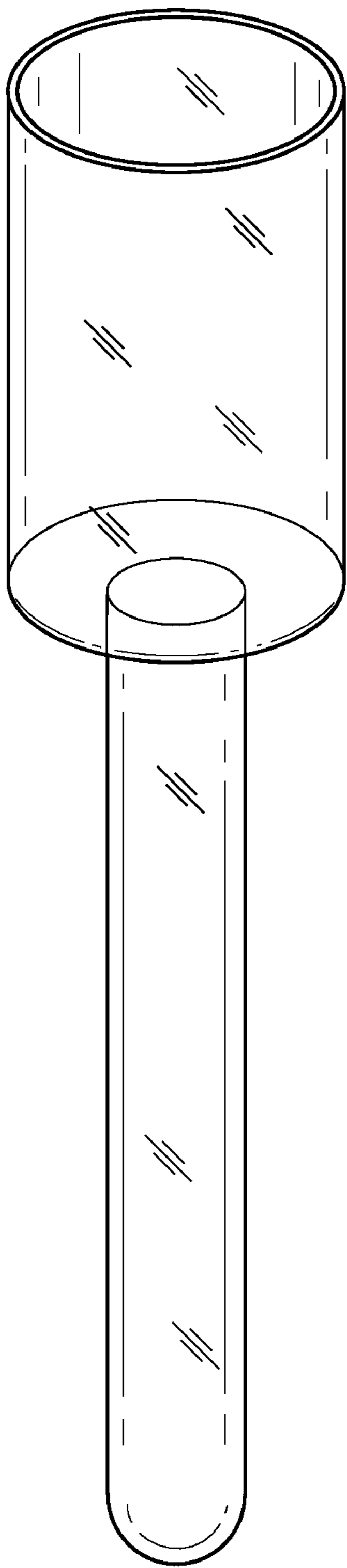
FIG. 8 is a top plan view thereof;

FIG. 9 is a bottom plan view thereof; and,

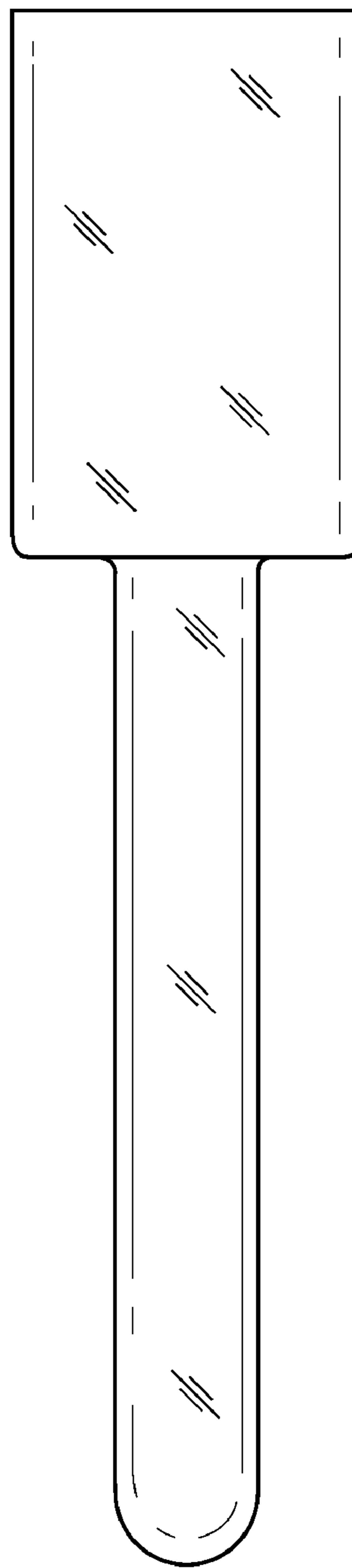
FIG. 10 is a vertical longitudinal sectional view along line 10—10 of FIG. 8.

**1 Claim, 6 Drawing Sheets**

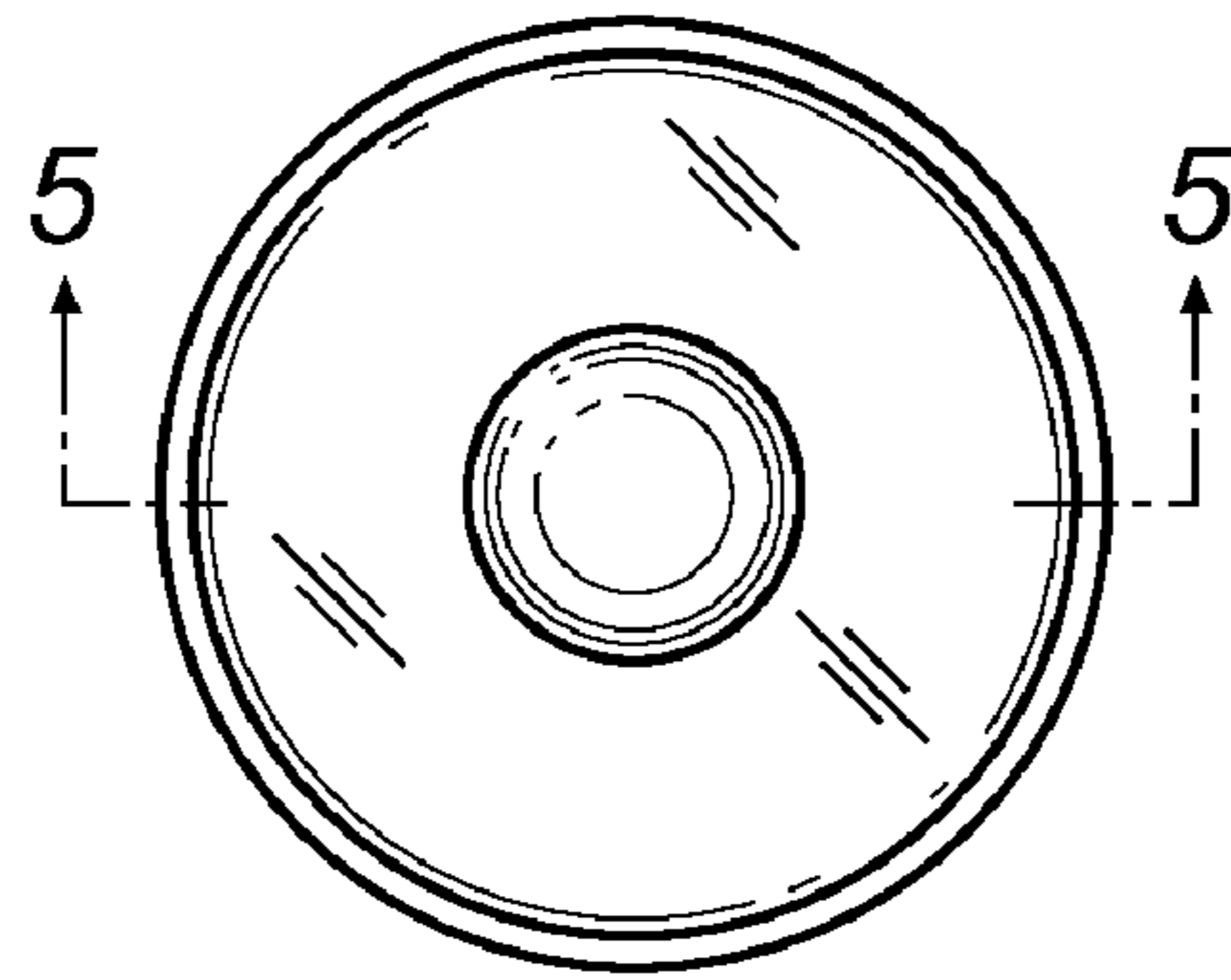




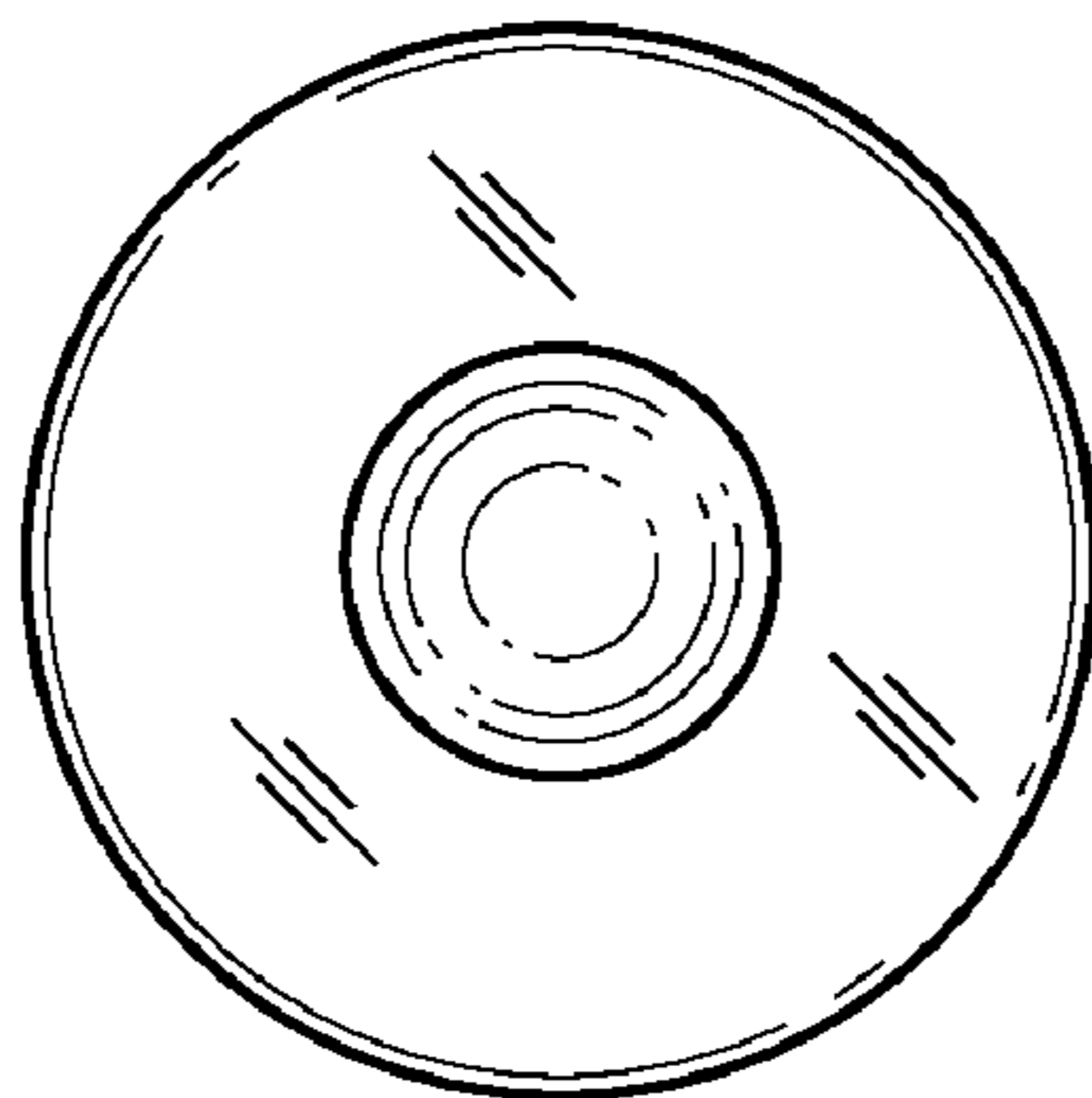
**FIG. 1**



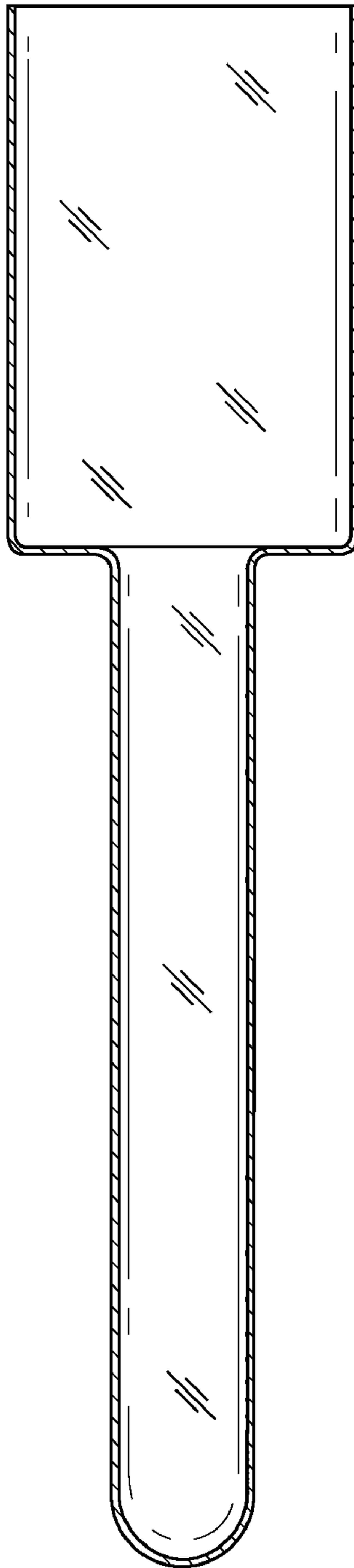
**FIG. 2**



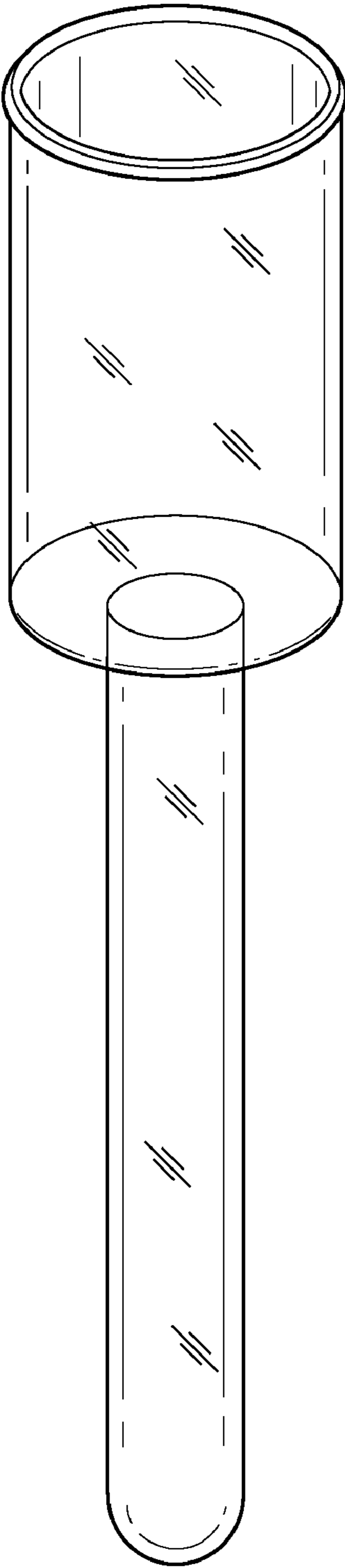
**FIG. 3**



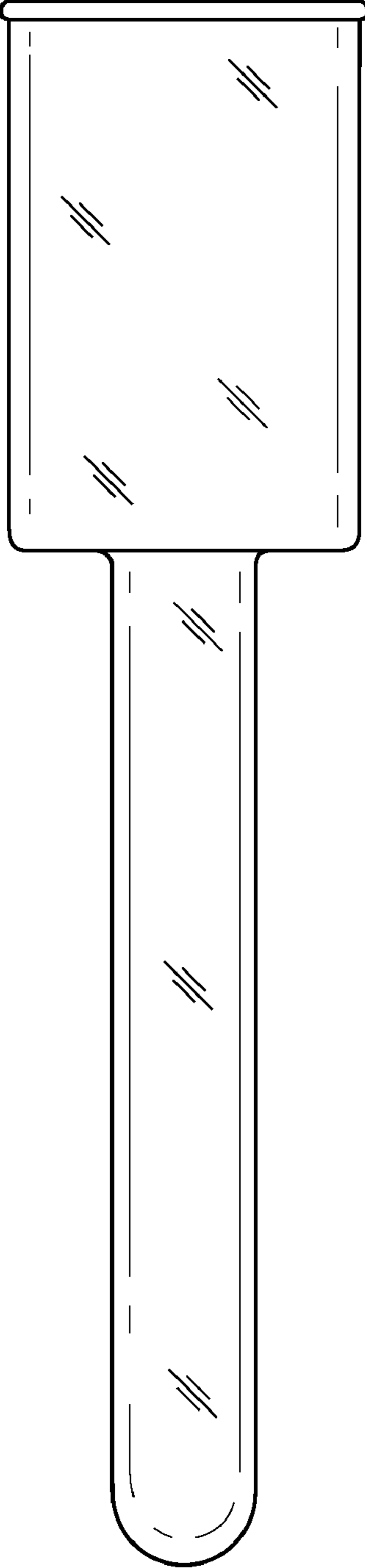
**FIG. 4**



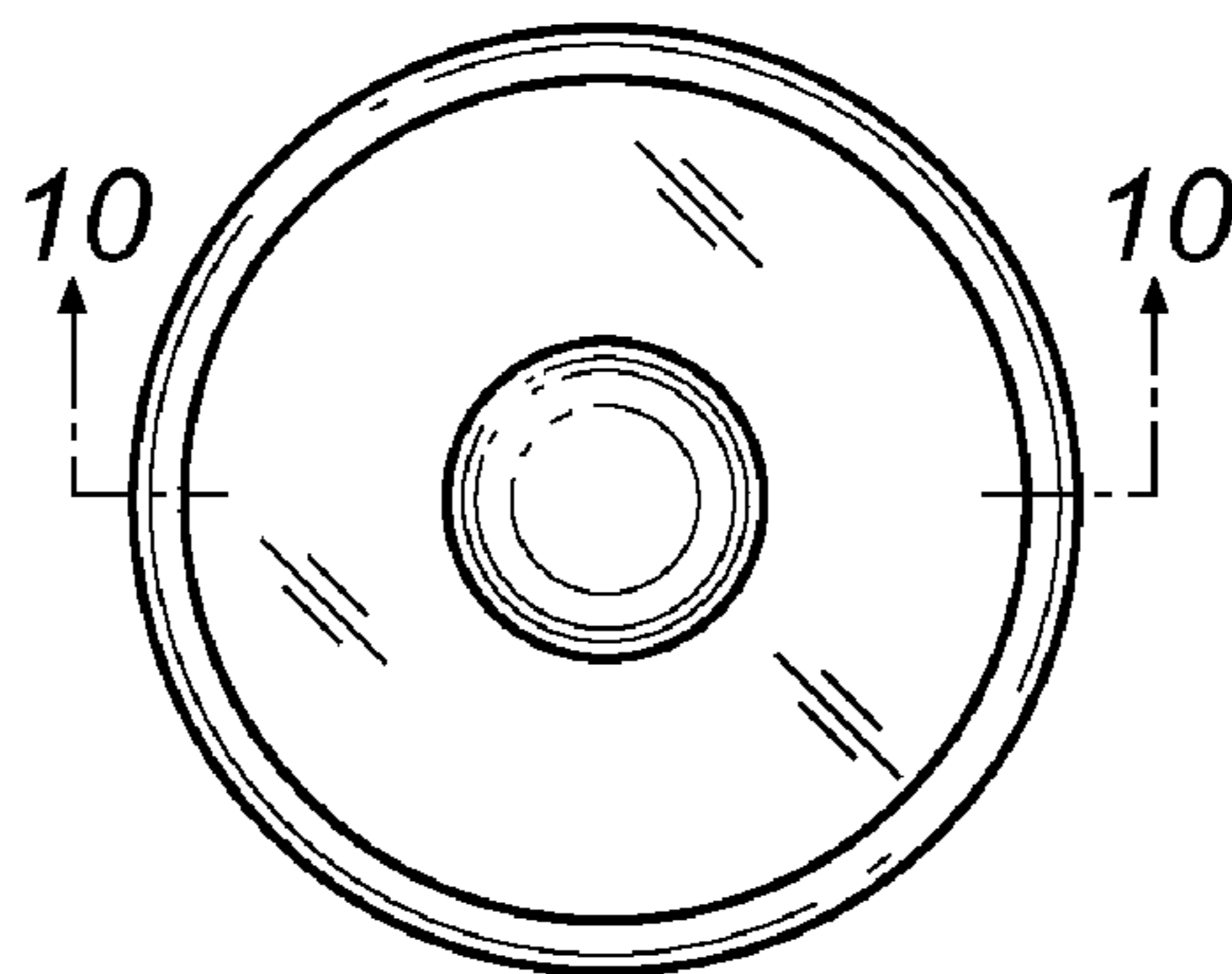
**FIG. 5**



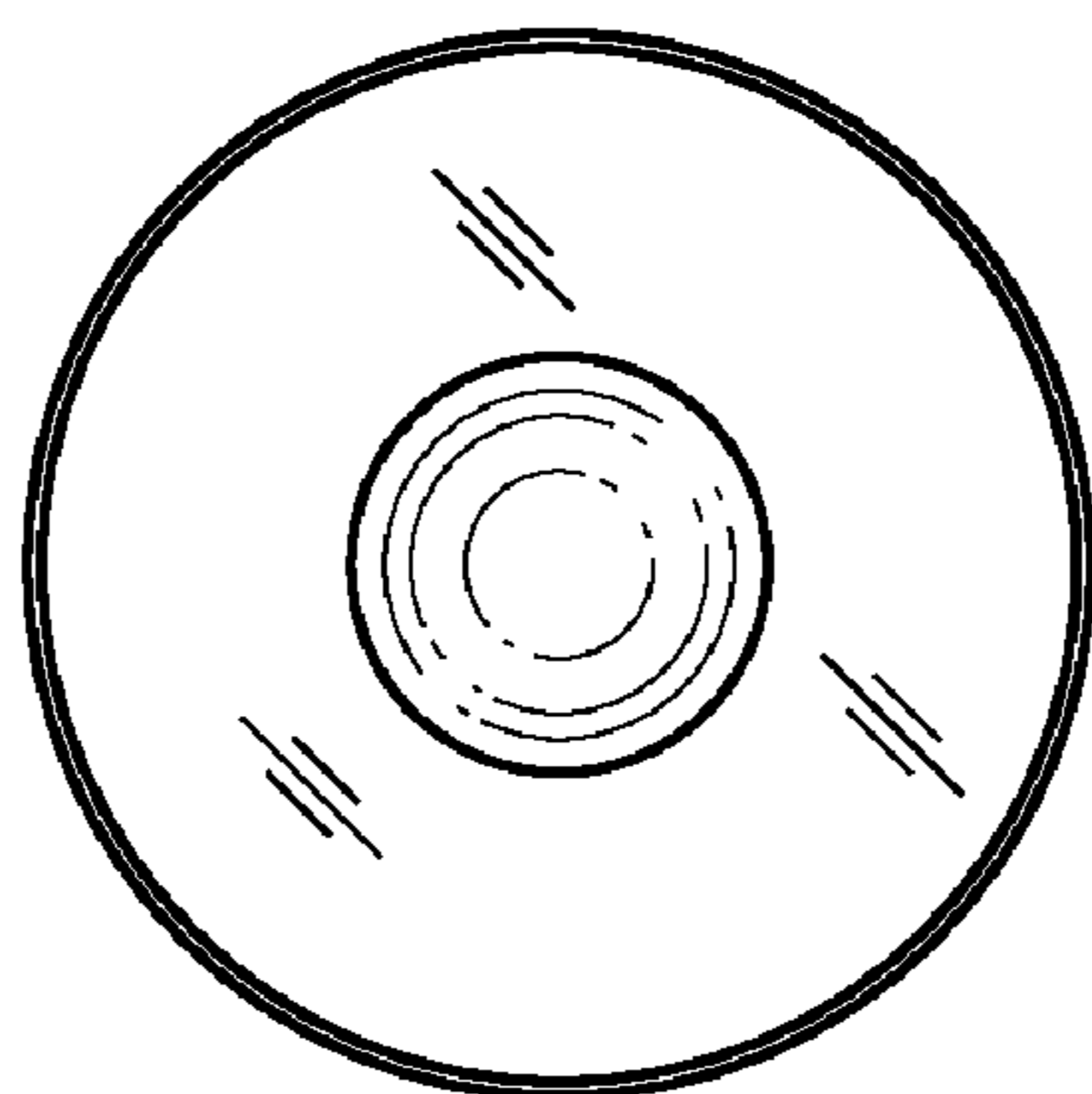
**FIG. 6**



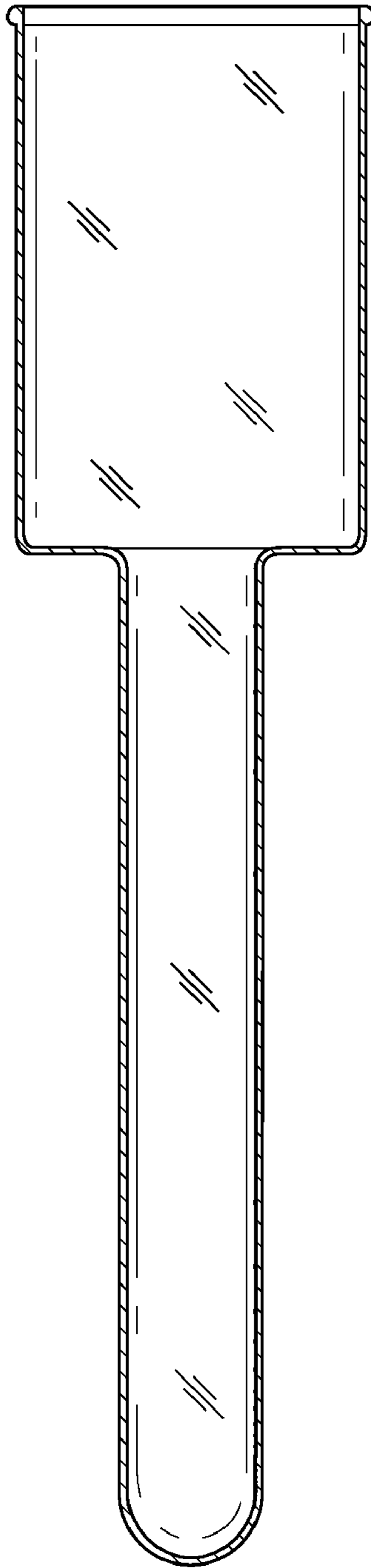
**FIG. 7**



**FIG. 8**



**FIG. 9**



**FIG. 10**