



US00D592455S

(12) **United States Design Patent**  
**Germann**

(10) **Patent No.:** **US D592,455 S**

(45) **Date of Patent:** **\*\* May 19, 2009**

(54) **DRINKING BOTTLE**

(75) Inventor: **Andreas Germann**, Scherzingen (CH)

(73) Assignee: **SIGG Switzerland AG**, Frauenfeld (CH)

(\*\*) Term: **14 Years**

(21) Appl. No.: **29/297,803**

(22) Filed: **Nov. 19, 2007**

(30) **Foreign Application Priority Data**

May 23, 2007 (WO) ..... DM/069 041

(51) **LOC (9) Cl.** ..... **07-01**

(52) **U.S. Cl.** ..... **D7/510**

(58) **Field of Classification Search** ..... D7/507,  
D7/213, 305, 505, 589, 592, 320-321, 312;  
215/227-354; 220/592.16, 592.17, 592.2,  
220/592.21, 703-716, 374, 522; 99/317,  
99/323, 323.3, 285, 321; 126/348; 100/123;  
222/130, 189.07, 108, 500

See application file for complete search history.

(56) **References Cited**

**U.S. PATENT DOCUMENTS**

6,112,925 A \* 9/2000 Nahill et al. .... 215/382  
D494,815 S \* 8/2004 Bodum ..... D7/510  
6,932,230 B2 \* 8/2005 Pedmo et al. .... 215/381  
7,021,479 B2 \* 4/2006 Pedmo et al. .... 215/381  
7,137,520 B1 \* 11/2006 Melrose ..... 215/381  
D541,106 S \* 4/2007 Spiegel ..... D7/510  
7,243,808 B2 \* 7/2007 Livingston et al. .... 215/381

7,258,244 B2 \* 8/2007 Ungrady ..... 215/381  
7,267,242 B2 \* 9/2007 Tanaka et al. .... 215/383

\* cited by examiner

*Primary Examiner*—Antoine D Davis

(74) *Attorney, Agent, or Firm*—Pearne & Gordon LLP

(57) **CLAIM**

The ornamental design for a drinking bottle, as shown and described.

**DESCRIPTION**

FIG. 1 is a perspective view of a first embodiment of my new invention, the drinking bottle being symmetrical about a vertical axis;

FIG. 2 is a cross-sectional view thereof taken along section line 2—2;

FIG. 3 is a perspective view of a second embodiment of my new invention, the drinking bottle being symmetrical about a vertical axis;

FIG. 4 is a cross-sectional view thereof taken along section line 4—4;

FIG. 5 is a perspective view of a third embodiment of my new invention, the drinking bottle being symmetrical about a vertical axis; and,

FIG. 6 is a cross-sectional view thereof taken along section line 6—6.

The sectional views of FIG. 8 and the cross hatching are provided for illustrative purposes only and no claim is made to any particular material.

**1 Claim, 3 Drawing Sheets**

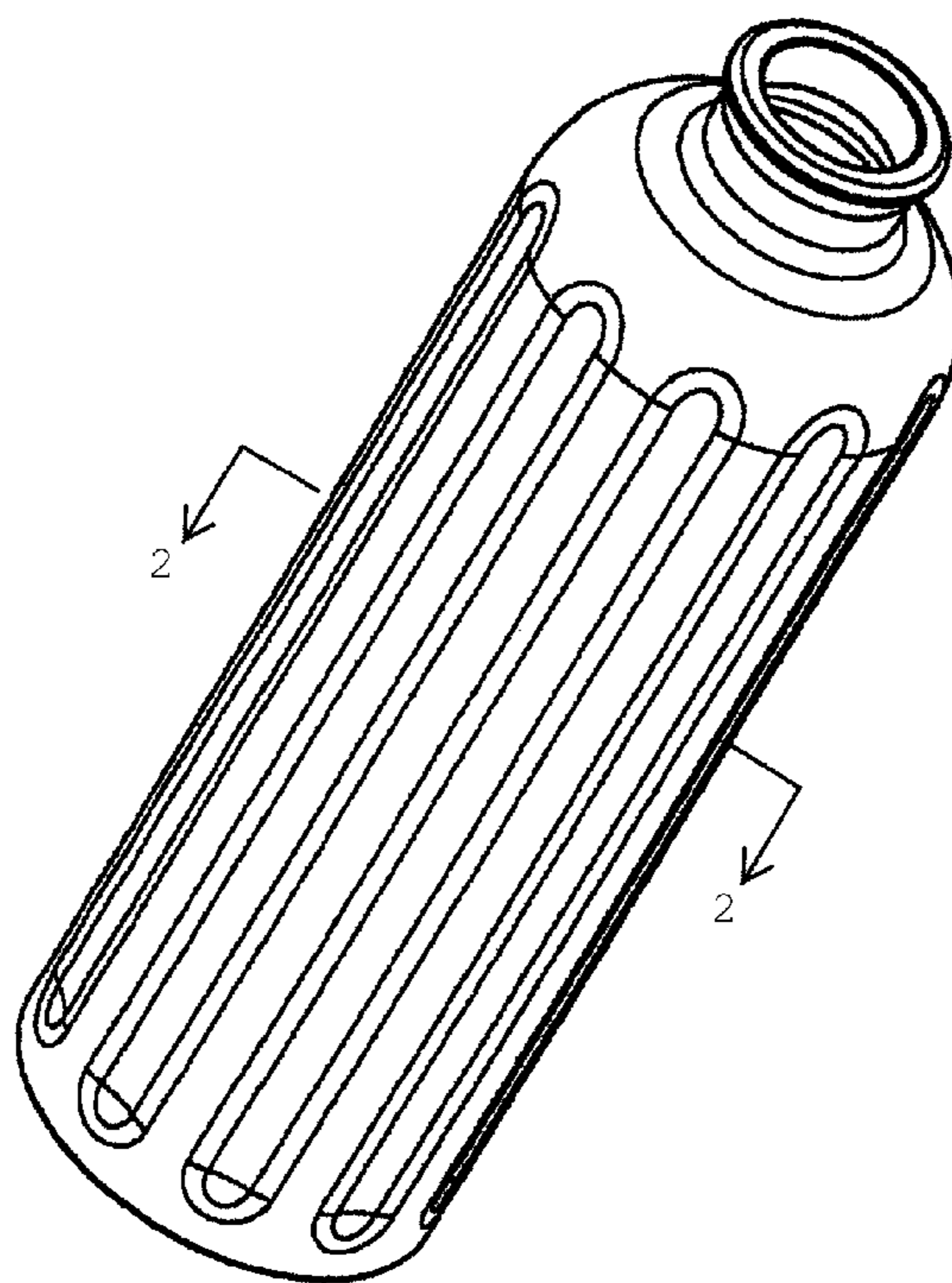


FIG. 1

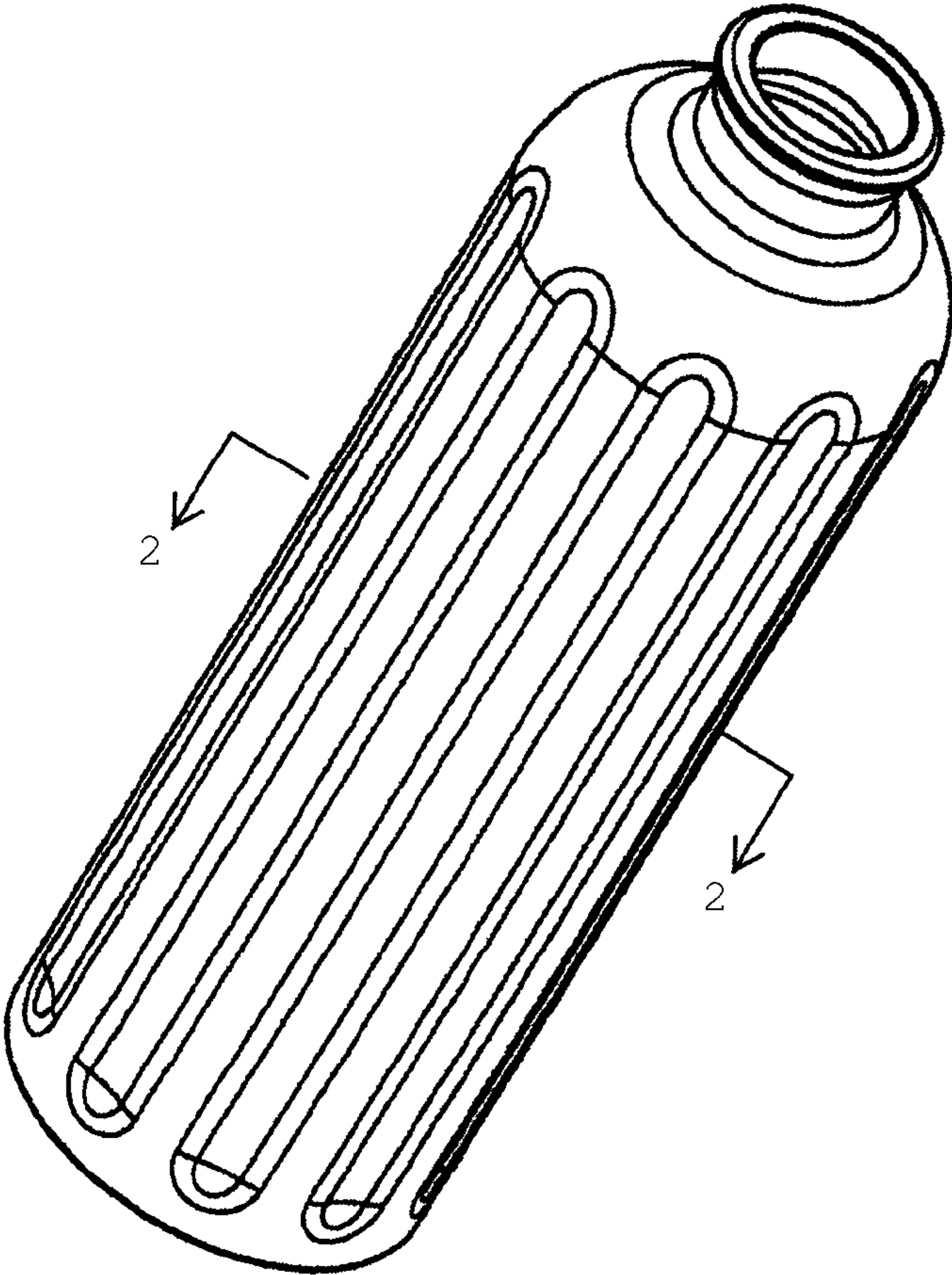


FIG. 2

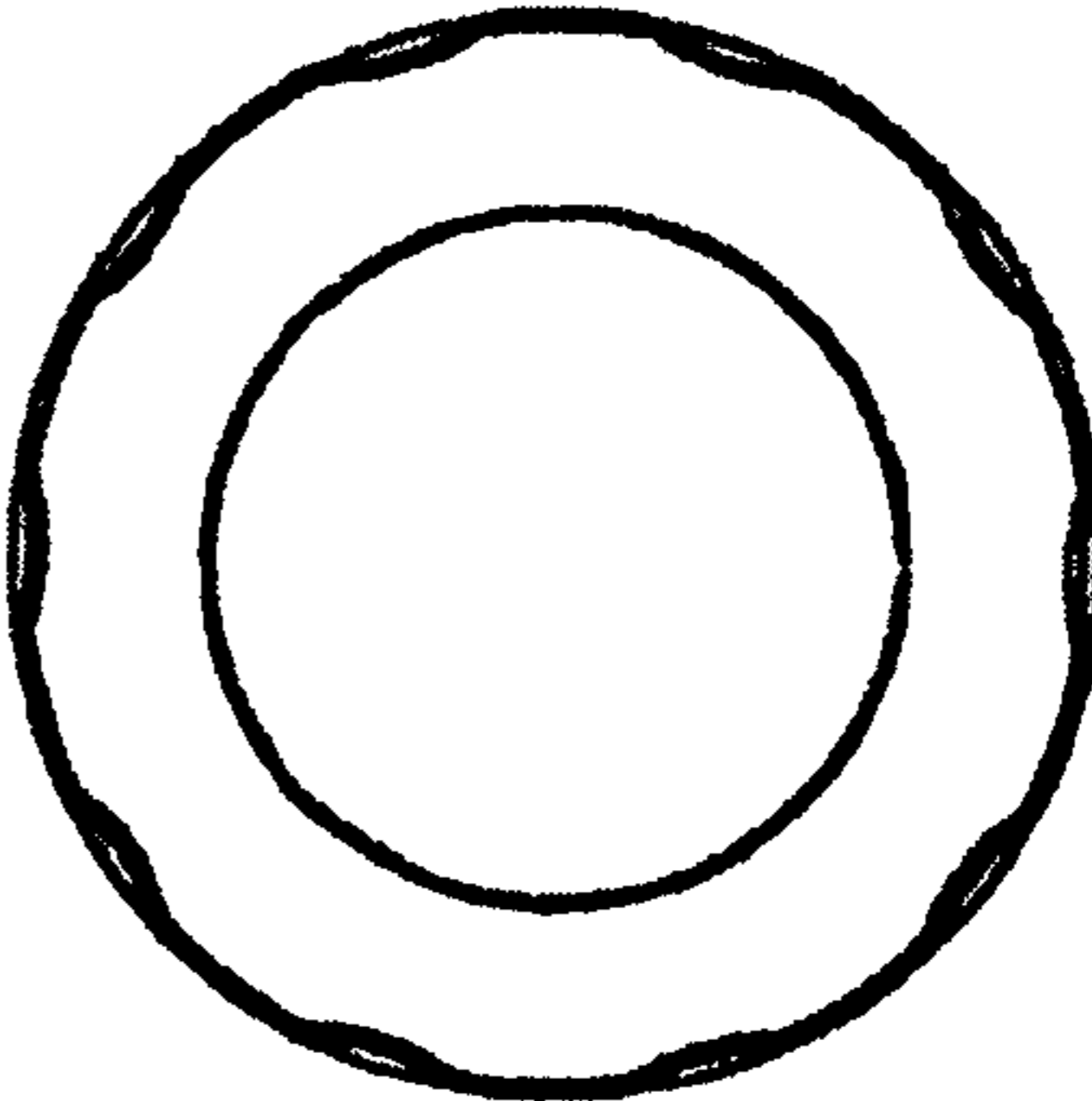


FIG. 3

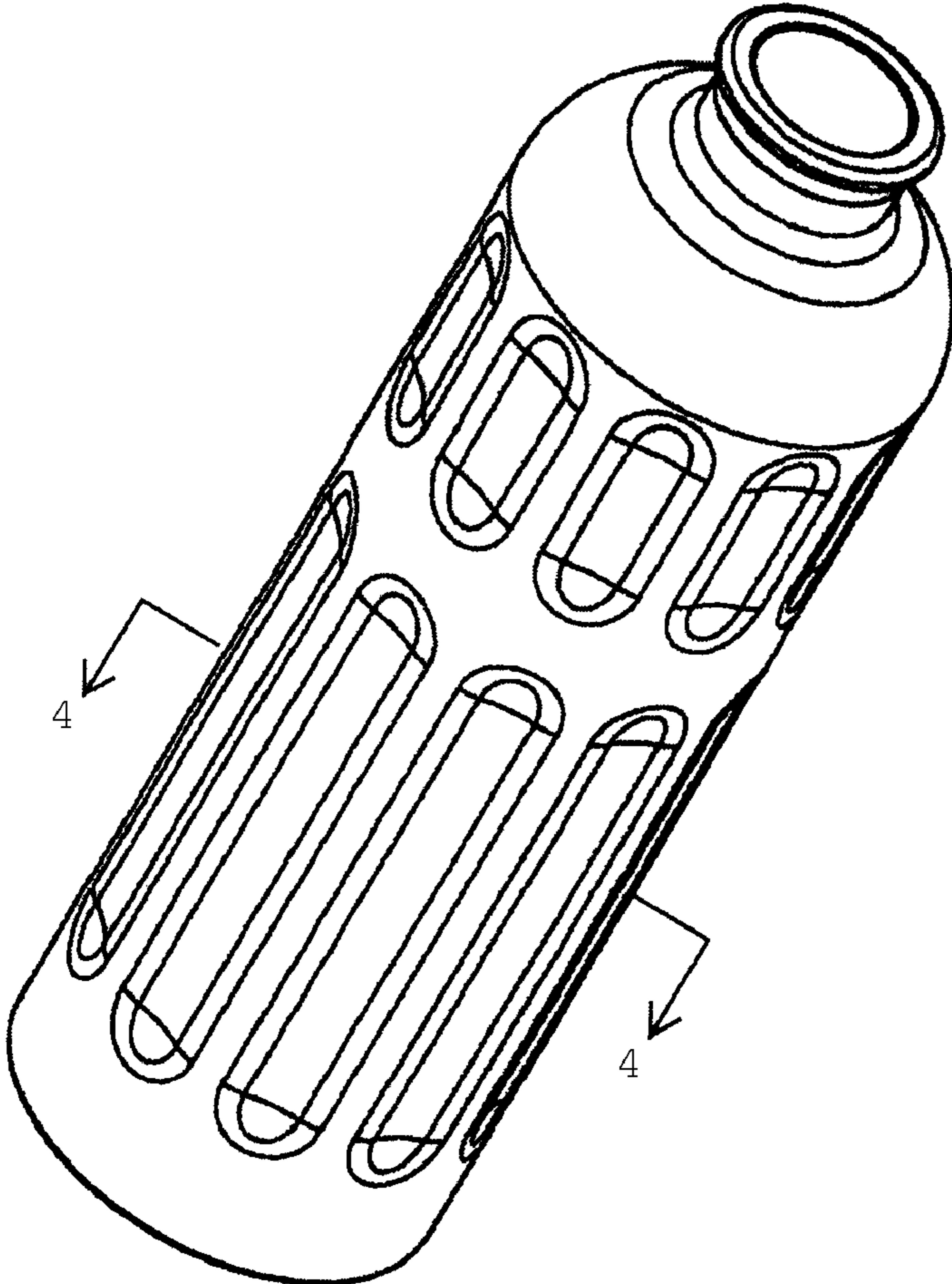


FIG. 4

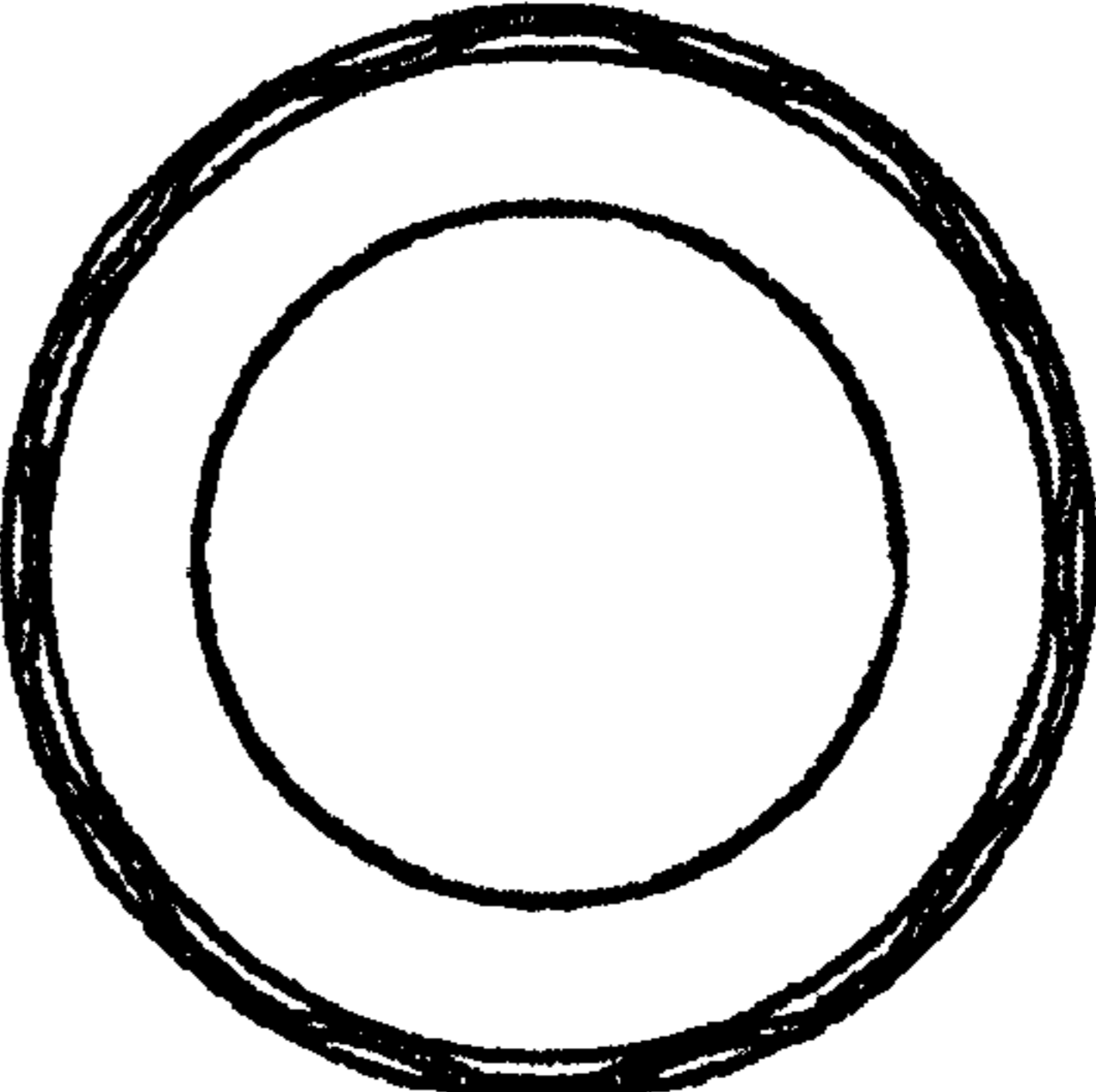


FIG. 5

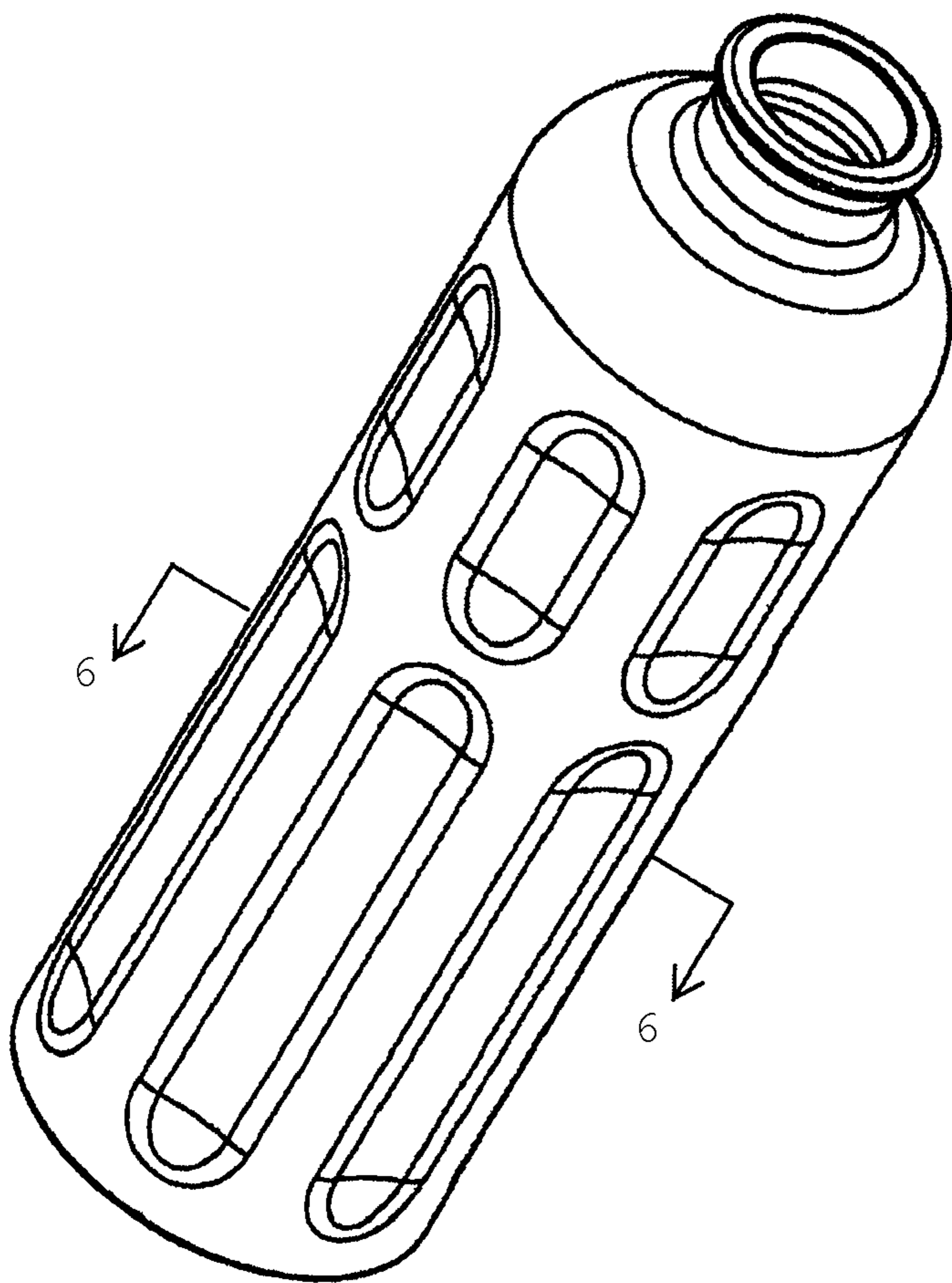


FIG. 6

