

US00D592454S

(12) **United States Design Patent**
Boozer et al.

(10) **Patent No.:** **US D592,454 S**

(45) **Date of Patent:** **** May 19, 2009**

(54) **COVER FOR A BLENDER CONTAINER**

(75) Inventors: **Richard D. Boozer**, Wakeman, OH (US); **David J. Kolar**, Stow, OH (US); **Fred H. Mehlman**, Brunswick, OH (US)

(73) Assignee: **Vita-Mix Corporation**, Cleveland, OH (US)

(**) Term: **14 Years**

(21) Appl. No.: **29/310,184**

(22) Filed: **Jul. 30, 2008**

(51) **LOC (9) Cl.** **31-00**

(52) **U.S. Cl.** **D7/412**

(58) **Field of Classification Search** D7/317-318, D7/356, 376-386, 392, 412-415, 665; D9/438, D9/449, 503; 99/348, 509-511; 215/253; 222/465.1; 241/30-37.5, 101.01-101.2, 241/166-169.1, 274-278.2, 285.1-285.3, 241/291, 292.1; 366/64-67, 98, 192, 197-211, 366/205-206, 241-254, 279-292, 341-343
See application file for complete search history.

(56) **References Cited**

U.S. PATENT DOCUMENTS

D176,258 S	12/1955	Hill et al.	
2,733,052 A	1/1956	Luther	
D204,117 S	3/1966	Di Sesa	
D228,698 S	10/1973	Barnard, Jr. et al.	
D232,297 S	8/1974	Mantelet	
5,147,054 A *	9/1992	Pehr	215/253
D336,590 S	6/1993	Barnard	
D345,488 S	3/1994	Barnard et al.	
D366,418 S *	1/1996	Lown et al.	D9/449
D374,590 S	10/1996	Ahern, Jr.	
D386,941 S *	12/1997	Barker	D7/378
D412,809 S *	8/1999	Toro et al.	D7/378
D419,369 S	1/2000	Naft et al.	
D435,192 S	12/2000	Bohannon, Jr. et al.	
D481,258 S	10/2003	Brady et al.	
D490,708 S *	6/2004	Lown	D9/438
D495,925 S *	9/2004	Ulanski et al.	D7/412

D500,444 S *	1/2005	Drake et al.	D9/503
D520,873 S *	5/2006	Lovell	D9/449
D526,839 S *	8/2006	Boozer et al.	D7/392
D527,575 S *	9/2006	Ulanski et al.	D7/392
D554,938 S *	11/2007	Garman et al.	D7/378
D567,584 S *	4/2008	Boozer et al.	D7/413
D577,545 S	9/2008	Ulanski	

OTHER PUBLICATIONS

“Bar and Restaurant Customer Catalog”, Oster Professional Products Dept., Milwaukee, Wisconsin, 6 pages (1986).

“Hamilton Beach”, Hamilton Beach Commercial, Glen Allen, VA, 5 pages (Aug. 1998).

“Model 990 1 Gallon Blender”, Hamilton Beach Commercial, Glen Allen, VA, 2 pages (Nov. 1992).

(Continued)

Primary Examiner—Caron Veynar

Assistant Examiner—Ricky Pham

(74) *Attorney, Agent, or Firm*—Renner, Kenner, Greive, Bobak, Taylor & Weber

(57) **CLAIM**

The ornamental design for a cover for a blender container, as shown and described.

DESCRIPTION

FIG. 1 is a top, front, right side perspective view of a cover for a blender container showing our new design;

FIG. 2 is a bottom, rear, left side perspective view thereof;

FIG. 3 is a top plan view thereof;

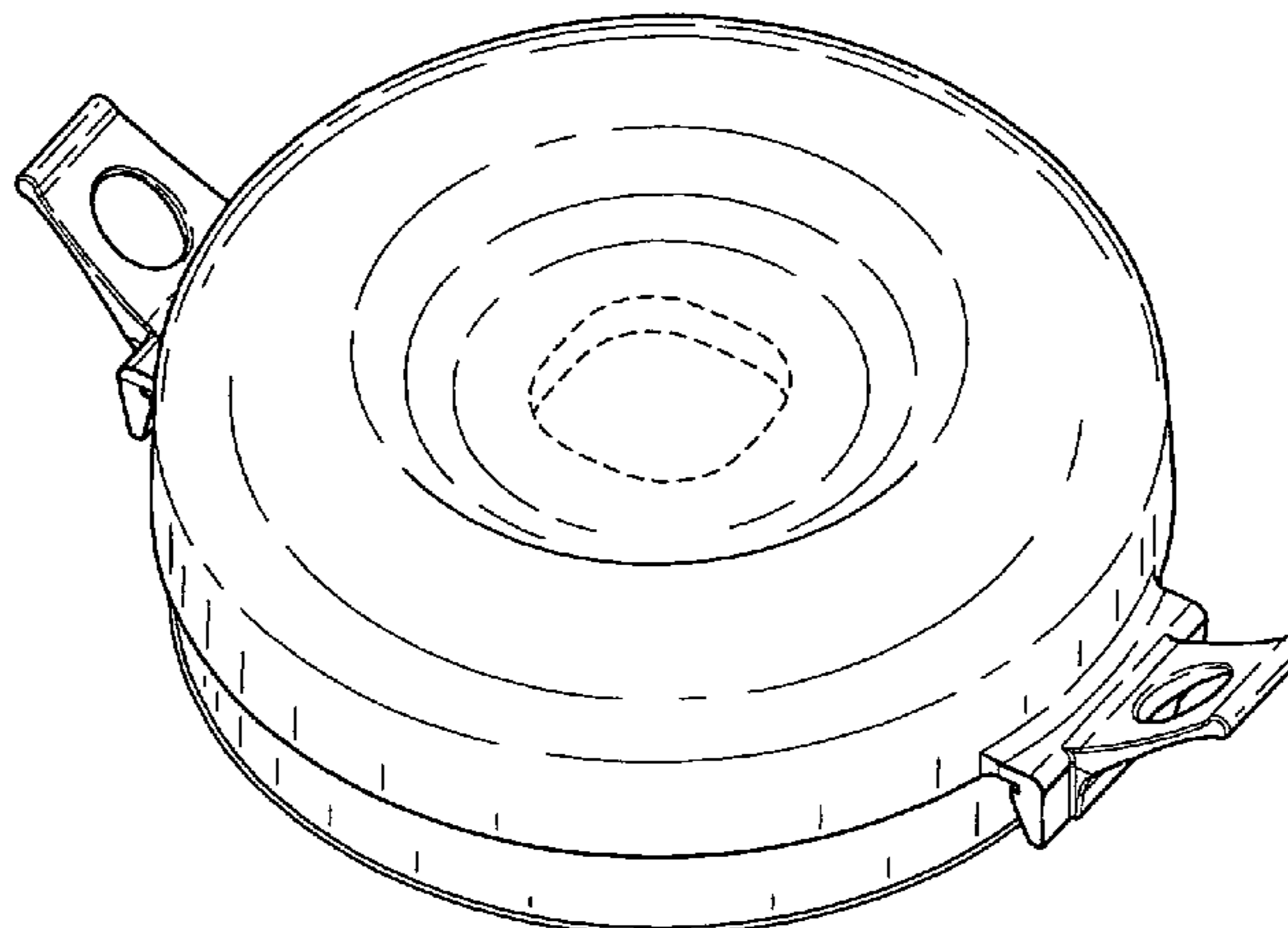
FIG. 4 is a bottom plan view thereof;

FIG. 5 is a front elevational view thereof, the rear elevational view being the same as FIG. 5; and,

FIG. 6 is a right side elevational view thereof, the left side elevational view being the same as FIG. 6.

The portion of the design in dotted lines is not part of the claimed invention.

1 Claim, 3 Drawing Sheets



OTHER PUBLICATIONS

“Vita-prep™ The Professional Chef’s Power Tool”, Vita-Mix Corporation, Cleveland, OH, 2 pages (May 1998).

“Vita-Pro® -- The Difference is Clear”, Vita-Mix Corporation, Cleveland, OH, 2 pages (Jul. 2001).

“Finally, A Boss That Flips Itself Off”, Vita-Mix Corporation, Cleveland, OH, 4 pages (Nov. 2002).

“What more can the world’s best blender offer? More quiet.”, Vita-Mix Corporation, Cleveland, OH, 4 pages (Apr. 1998).

“Get Trim & Fit Fast”, Vita-Mix Corporation, Cleveland, OH, 7 pages (Jan. 1999).

* cited by examiner

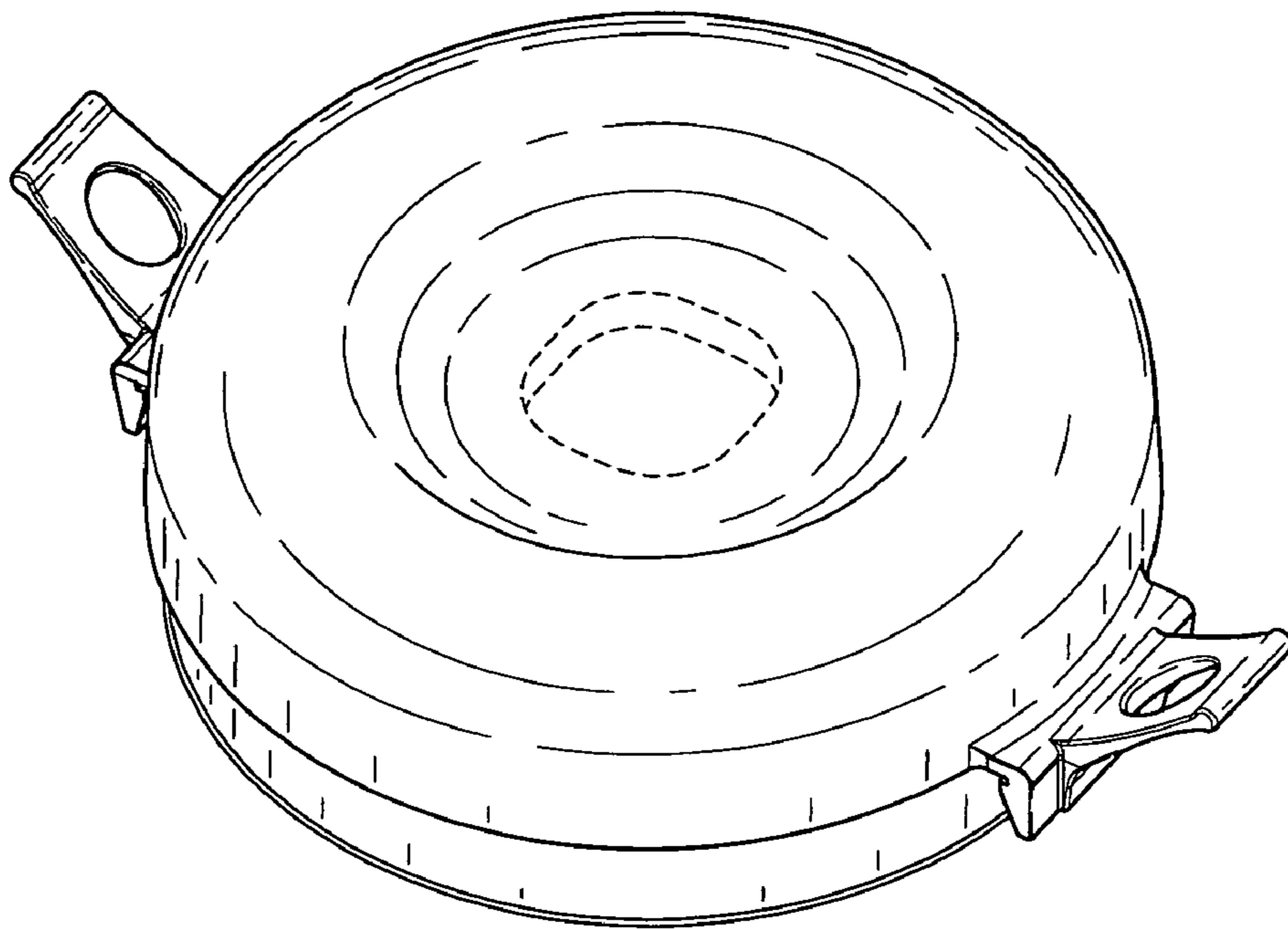


FIG-1

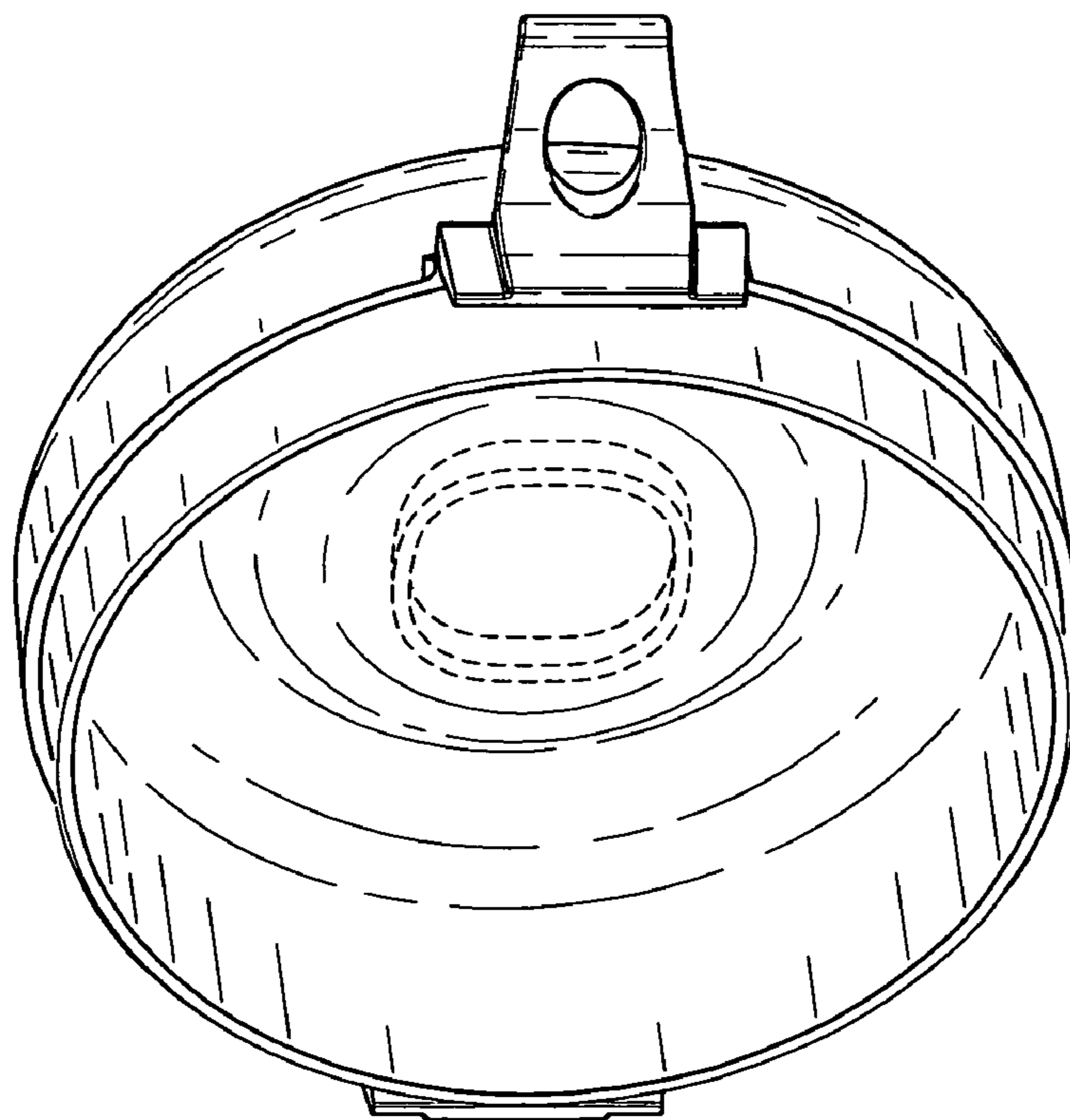


FIG-2

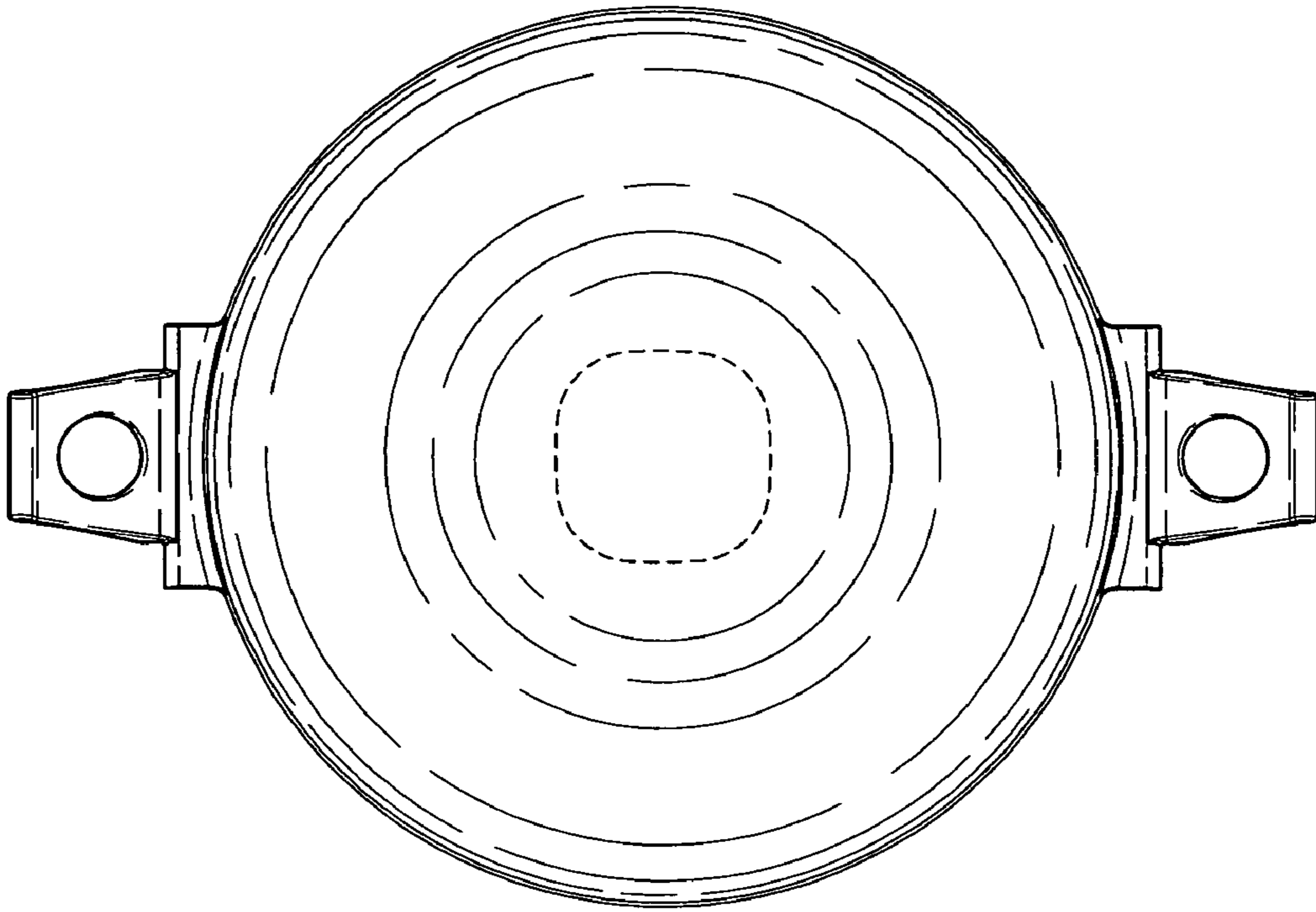


FIG-3

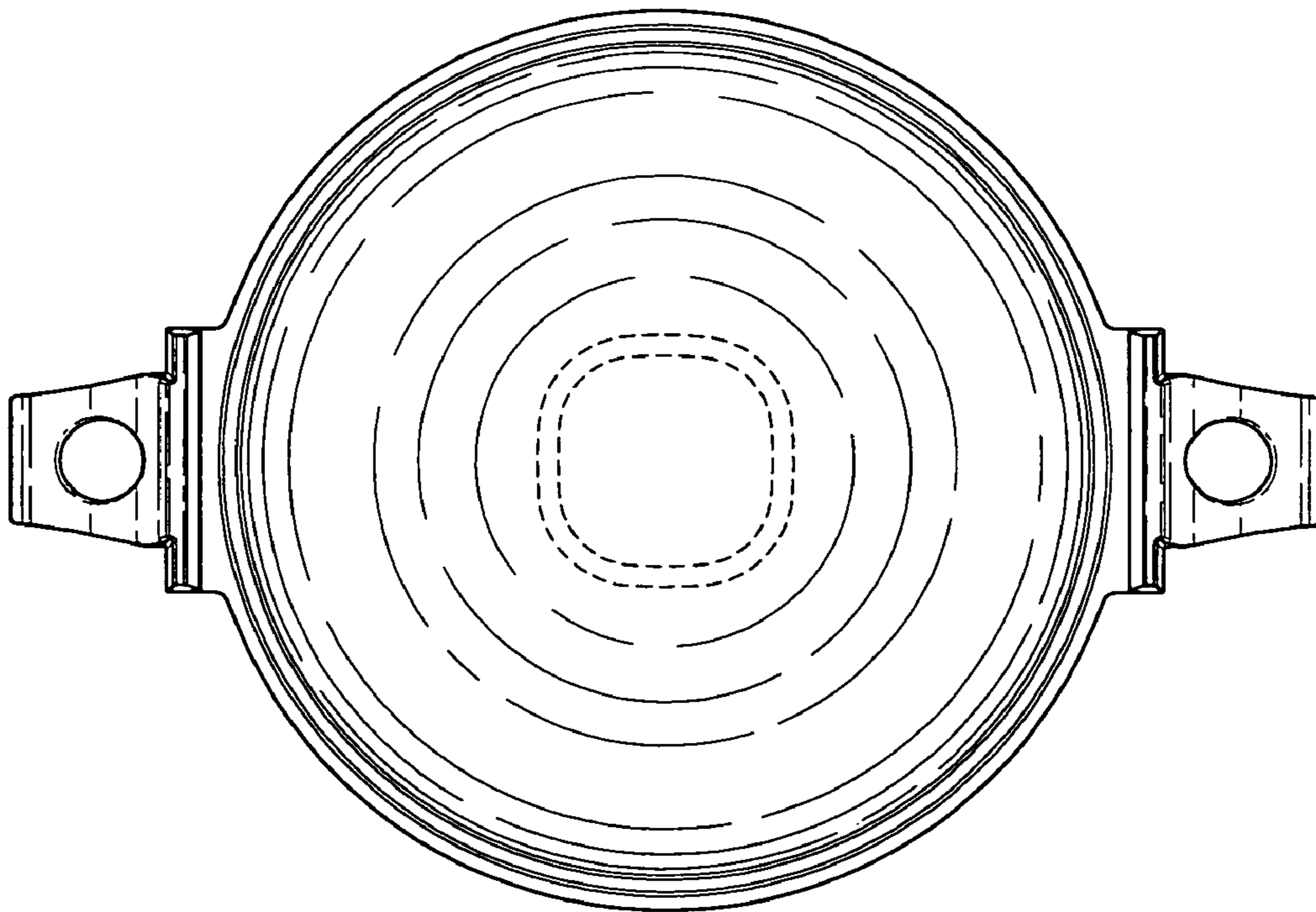


FIG-4

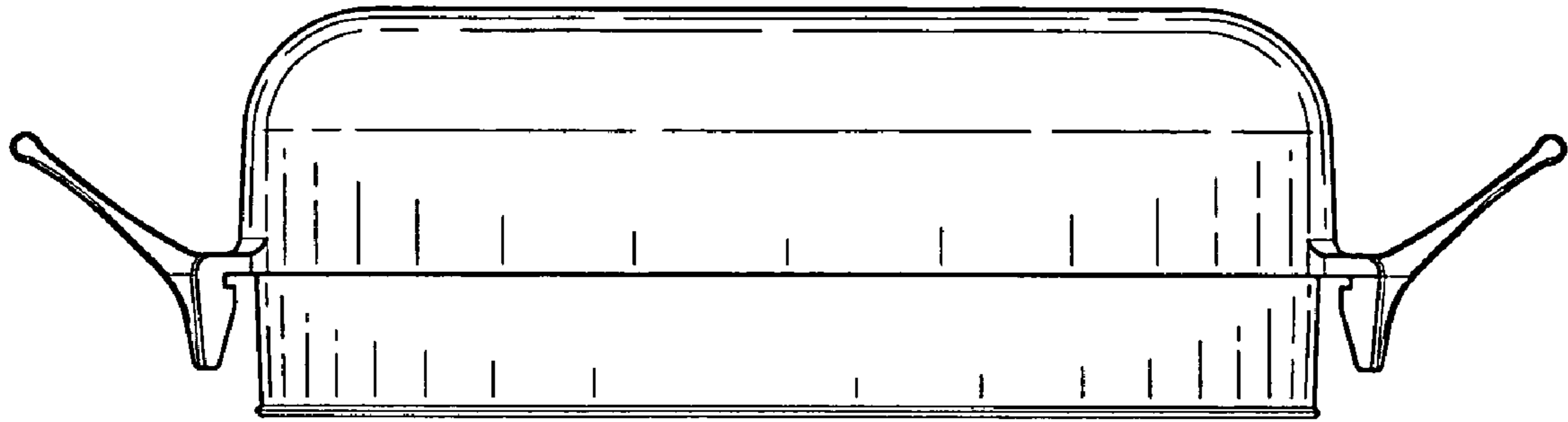


FIG-5

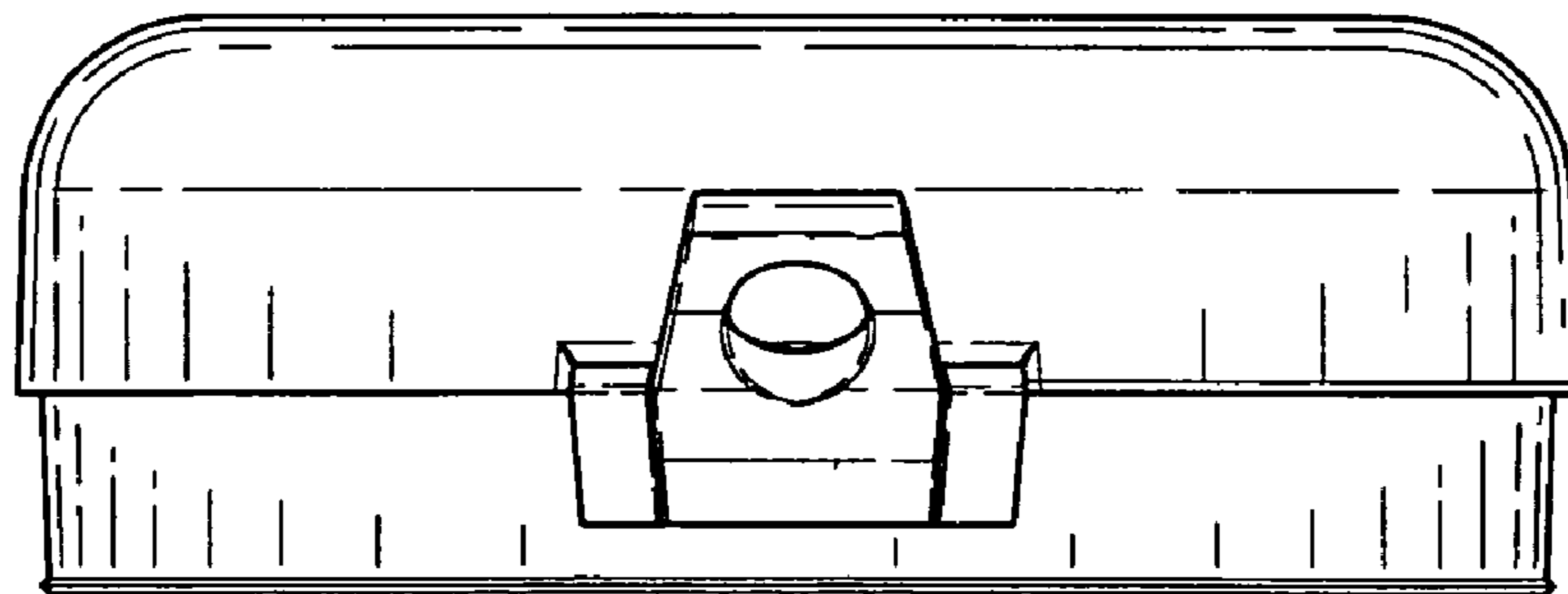


FIG-6