



US00D592446S

(12) **United States Design Patent**
Berlencourt

(10) **Patent No.:** **US D592,446 S**

(45) **Date of Patent:** **** May 19, 2009**

(54) **MILK FROTHING APPARATUS**

(75) Inventor: **Jean-Philippe Berlencourt**, Chatillon
(FR)

(73) Assignee: **SEB S.A.**, Ecully (FR)

(**) Term: **14 Years**

(21) Appl. No.: **29/328,293**

(22) Filed: **Nov. 21, 2008**

(30) **Foreign Application Priority Data**

May 21, 2008 (EM) 000938154

(51) **LOC (9) Cl.** **31-00**

(52) **U.S. Cl.** **D7/376**

(58) **Field of Classification Search** D7/300,
D7/306-313, 317-319, 326, 356, 376-386,
D7/392, 397-399, 412-415, 607, 665; 99/279,
99/348, 509-511; 219/441, 432-433; 222/25,
222/108, 131, 146.6, 469; 241/274-278.2,
241/285.1-285.3, 291, 292.1; 366/64-67,
366/98, 197-211, 205-206, 241-254, 279,
366/341-343

See application file for complete search history.

(56) **References Cited**

U.S. PATENT DOCUMENTS

D149,513 S * 5/1948 Muller-Munk D7/321
D178,521 S * 8/1956 Keefe, Jr. D7/317

D308,459 S * 6/1990 Balzano D7/317
D403,200 S * 12/1998 Joergensen D7/317
D481,254 S * 10/2003 Lin D7/318
D482,925 S * 12/2003 Yuen D7/318
D500,626 S * 1/2005 Ranzoni D7/317
6,974,051 B1 * 12/2005 Lin 222/25
D527,940 S * 9/2006 Cohen D7/318
D554,425 S * 11/2007 Schwamkrug D7/318

* cited by examiner

Primary Examiner—Caron Veynar

Assistant Examiner—Ricky Pham

(74) *Attorney, Agent, or Firm*—Young & Thompson

(57) **CLAIM**

The ornamental design for a milk frothing apparatus, as shown.

DESCRIPTION

FIG. 1 is a top and side perspective view of a milk frothing apparatus showing my new design;

FIG. 2 is a front elevational view thereof;

FIG. 3 is a rear elevational view thereof;

FIG. 4 is a side elevational view thereof from the left of FIG. 3;

FIG. 5 is a side elevational view thereof from the right of FIG. 3;

FIG. 6 is a top plan view thereof; and,

FIG. 7 is a bottom plan view thereof.

1 Claim, 7 Drawing Sheets

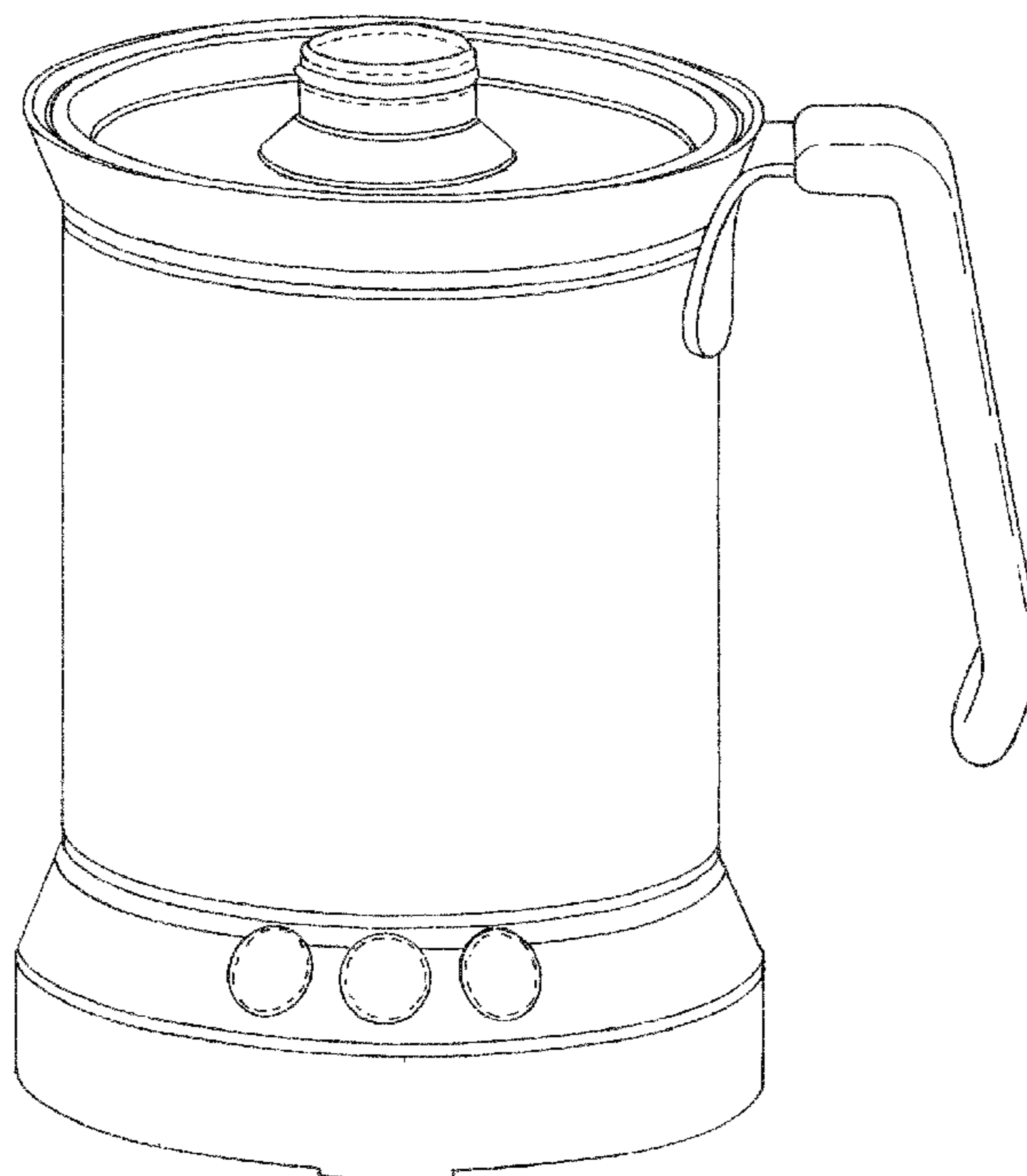


Figure 1



Figure 2

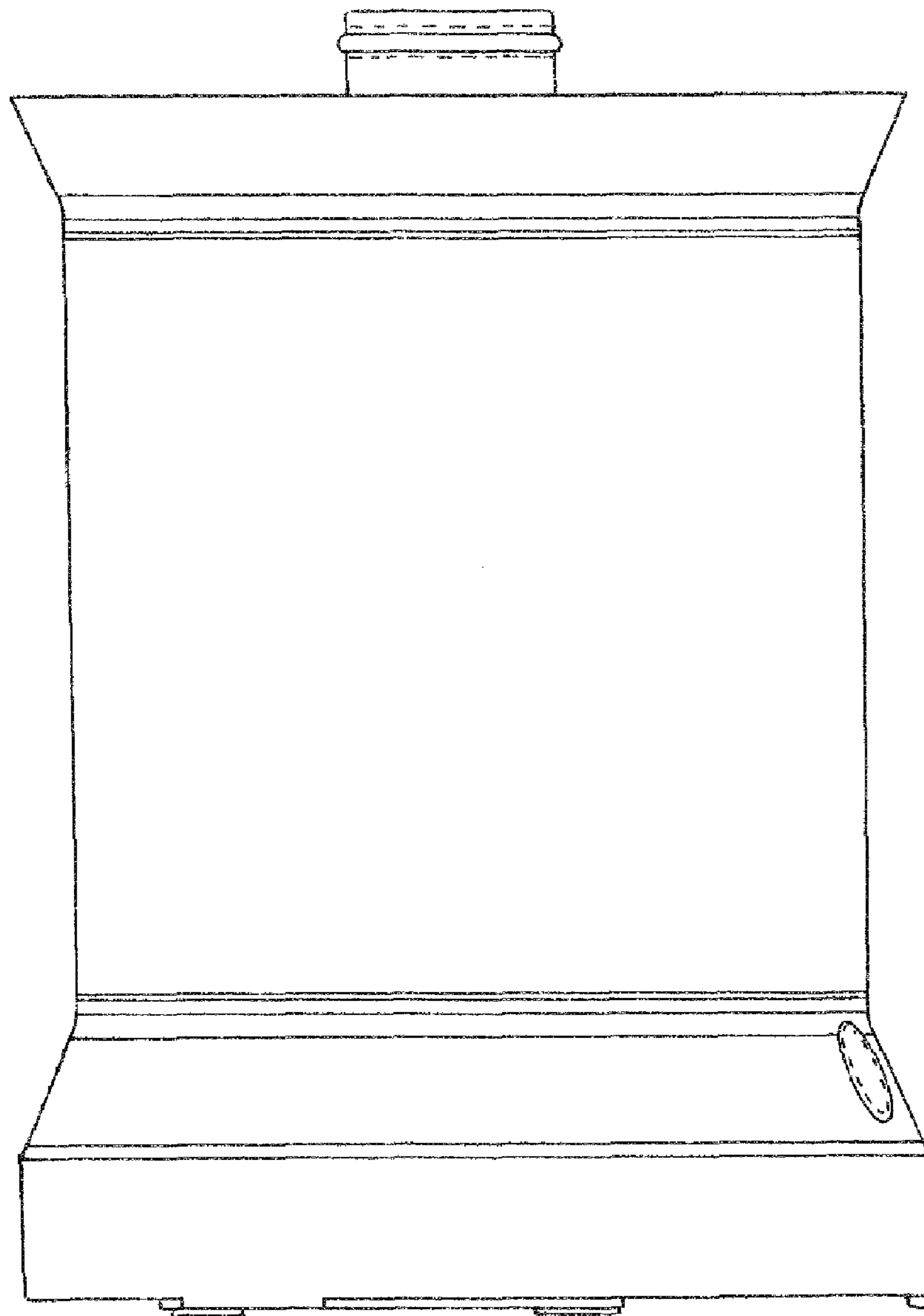


Figure 3

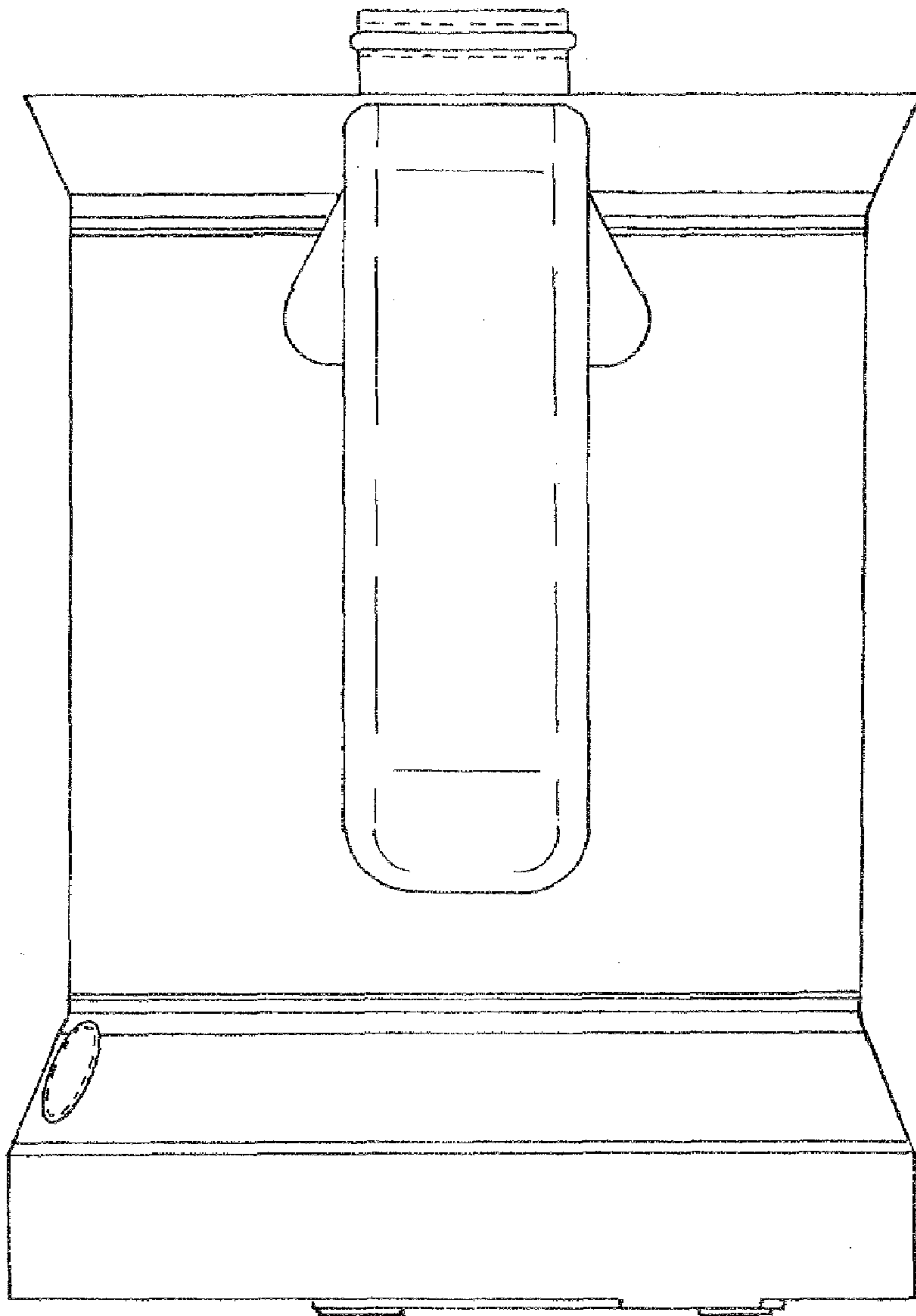


Figure 4

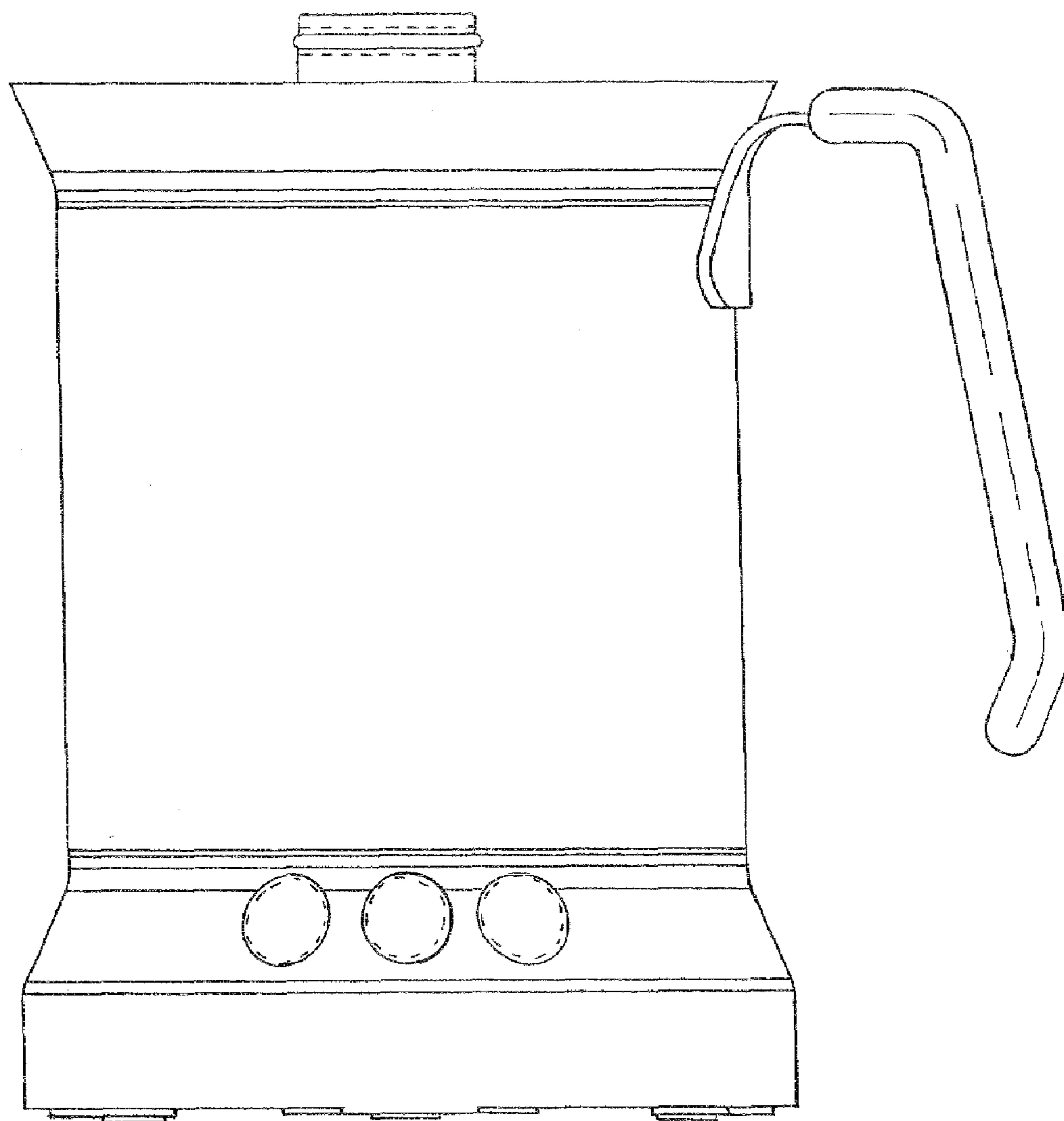


Figure 5

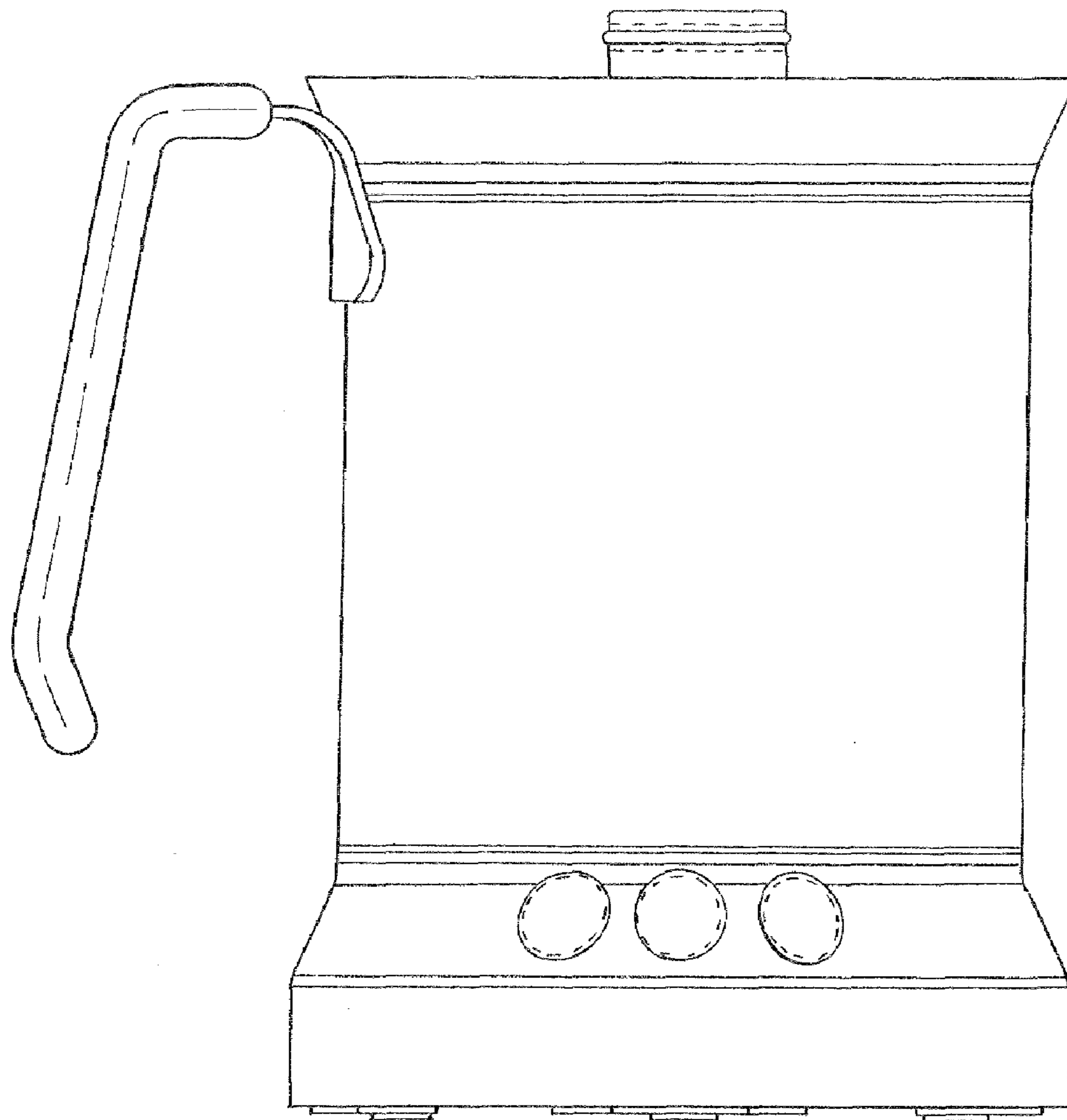


Figure 6

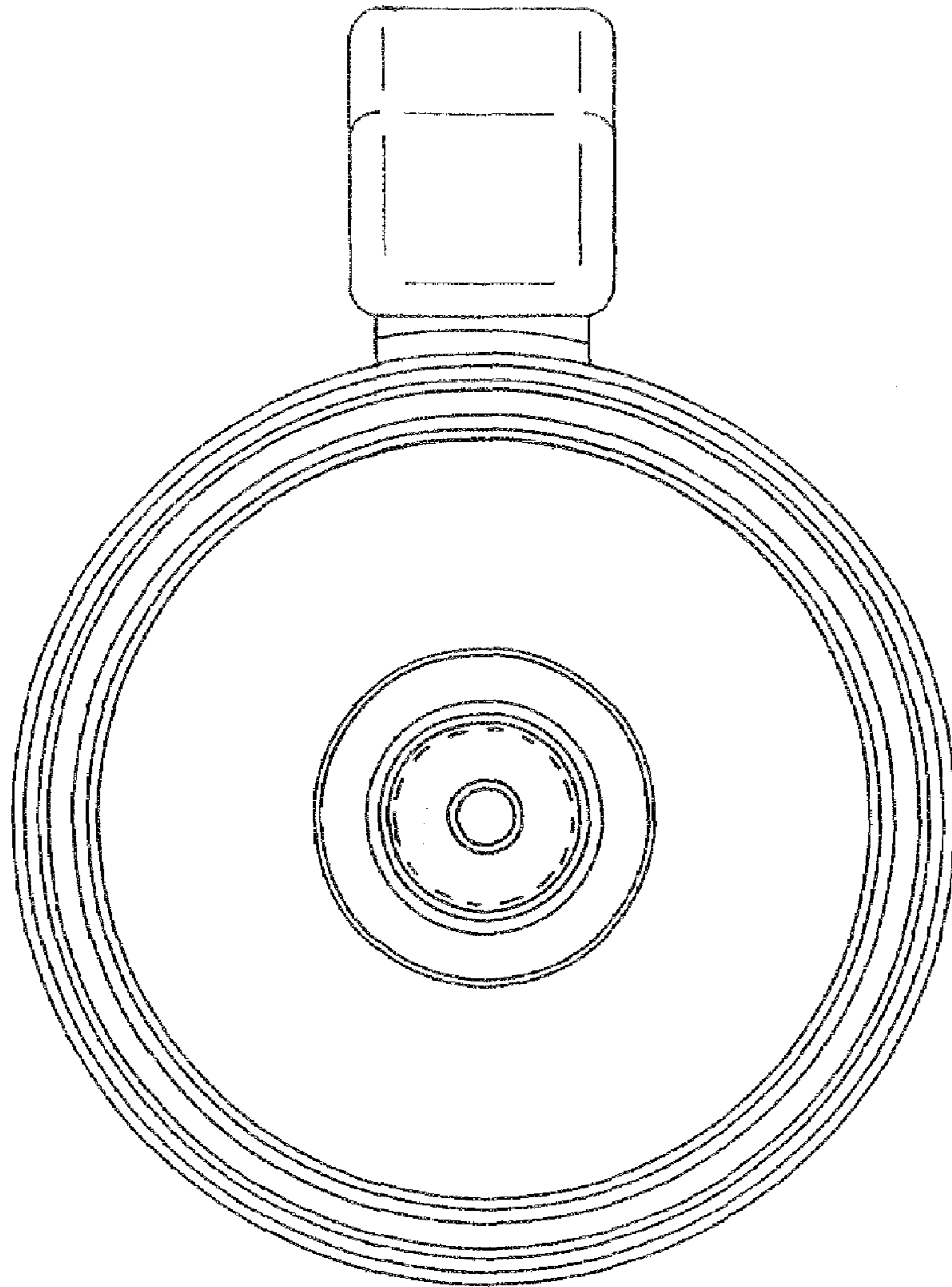


Figure 7

