

US00D592444S

(12) **United States Design Patent**  
**Tetreault**

(10) **Patent No.:** **US D592,444 S**  
(45) **Date of Patent:** **\*\* May 19, 2009**

(54) **RIBBON DETAIL FOR COOKWARE**

(75) Inventor: **Joel Tetreault**, Roswell, GA (US)

(73) Assignee: **Calphalon Corporation**, Atlanta, GA (US)

(\*\*) Term: **14 Years**

(21) Appl. No.: **29/326,996**

(22) Filed: **Oct. 28, 2008**

**Related U.S. Application Data**

(63) Continuation-in-part of application No. 29/299,643, filed on Dec. 31, 2007, now Pat. No. Des. 581,202, and a continuation-in-part of application No. 29/290,678, filed on Jan. 2, 2008, and a continuation-in-part of application No. 29/299,642, filed on Dec. 31, 2007, and a continuation-in-part of application No. 29/290,677, filed on Jan. 2, 2008, and a continuation-in-part of application No. 29/290,666, filed on Dec. 31, 2007.

(51) **LOC (9) Cl.** ..... **07-02**

(52) **U.S. Cl.** ..... **D7/352**

(58) **Field of Classification Search** ..... D7/35-361, D7/393, 396.1, 408, 412, 505, 513, 540-549, D7/550.1, 551.1, 552.1, 553.1, 553.4-553.8, D7/555; 99/324, 339, 430, 645; 220/4.21, 220/23.2-23.8, 376, 573.1-573.4, 575, 601, 220/610-612, 669, 672-675, 912  
See application file for complete search history.

(56) **References Cited**

**U.S. PATENT DOCUMENTS**

- D185,064 S 5/1959 Clark et al.
- D197,476 S 2/1964 De Puy
- D212,704 S 11/1968 Benes
- D218,346 S 8/1970 Aubecq
- D253,574 S 12/1979 Anderson, Jr.
- D409,447 S \* 5/1999 Henry ..... D7/542
- D418,017 S \* 12/1999 Henry ..... D7/545
- D421,202 S 2/2000 Demers
- D436,794 S 1/2001 McClean

- D452,109 S 12/2001 Hensel
- D477,970 S 8/2003 Thonis
- D479,665 S 9/2003 Barker
- D480,908 S \* 10/2003 Krasne ..... D7/354
- D484,745 S 1/2004 Watson
- D503,584 S \* 4/2005 White et al. .... D7/355
- D507,929 S 8/2005 Steinberg et al.
- D509,703 S 9/2005 Barker
- D520,806 S \* 5/2006 Ryan ..... D7/354
- D524,099 S \* 7/2006 Czebiniak ..... D7/396.1
- D527,941 S 9/2006 Serra
- D528,350 S 9/2006 McHutchison
- D532,646 S 11/2006 Moore
- D535,153 S 1/2007 Eide et al.
- D535,856 S 1/2007 Kell
- D536,210 S \* 2/2007 Yeung ..... D7/356
- D539,074 S 3/2007 Lubowicki
- D541,581 S 5/2007 Chuang et al.
- D541,582 S 5/2007 Moore
- D543,414 S 5/2007 Lion
- D546,619 S 7/2007 McHutchison
- D547,601 S \* 7/2007 Ting et al. .... D7/384
- D554,935 S \* 11/2007 Lion et al. .... D7/354
- D557,551 S 12/2007 Tetreault et al.
- D566,457 S \* 4/2008 Ryan ..... D7/360
- D577,247 S \* 9/2008 Barnes et al. .... D7/354
- D581,202 S \* 11/2008 Tetreault et al. .... D7/352

**FOREIGN PATENT DOCUMENTS**

WO 2005002407 1/2005

\* cited by examiner

*Primary Examiner*—Caron Veynar

*Assistant Examiner*—Ricky Pham

(74) *Attorney, Agent, or Firm*—Gardner Groff Greenwald & Villaneva, PC

(57) **CLAIM**

The ornamental design for a ribbon detail for cookware, as shown and described.

**DESCRIPTION**

FIG. 1 is a perspective view of a ribbon detail according to an exemplary embodiment of the present invention and shown on a pot.

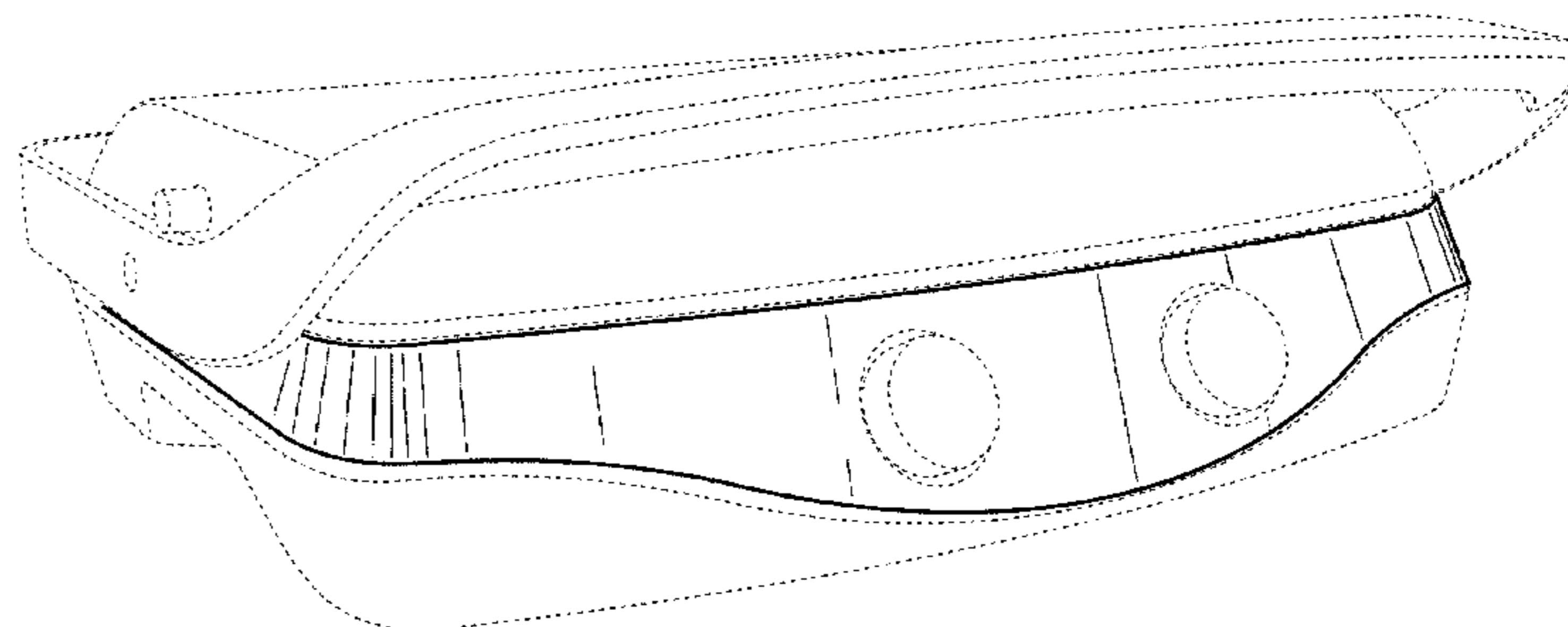
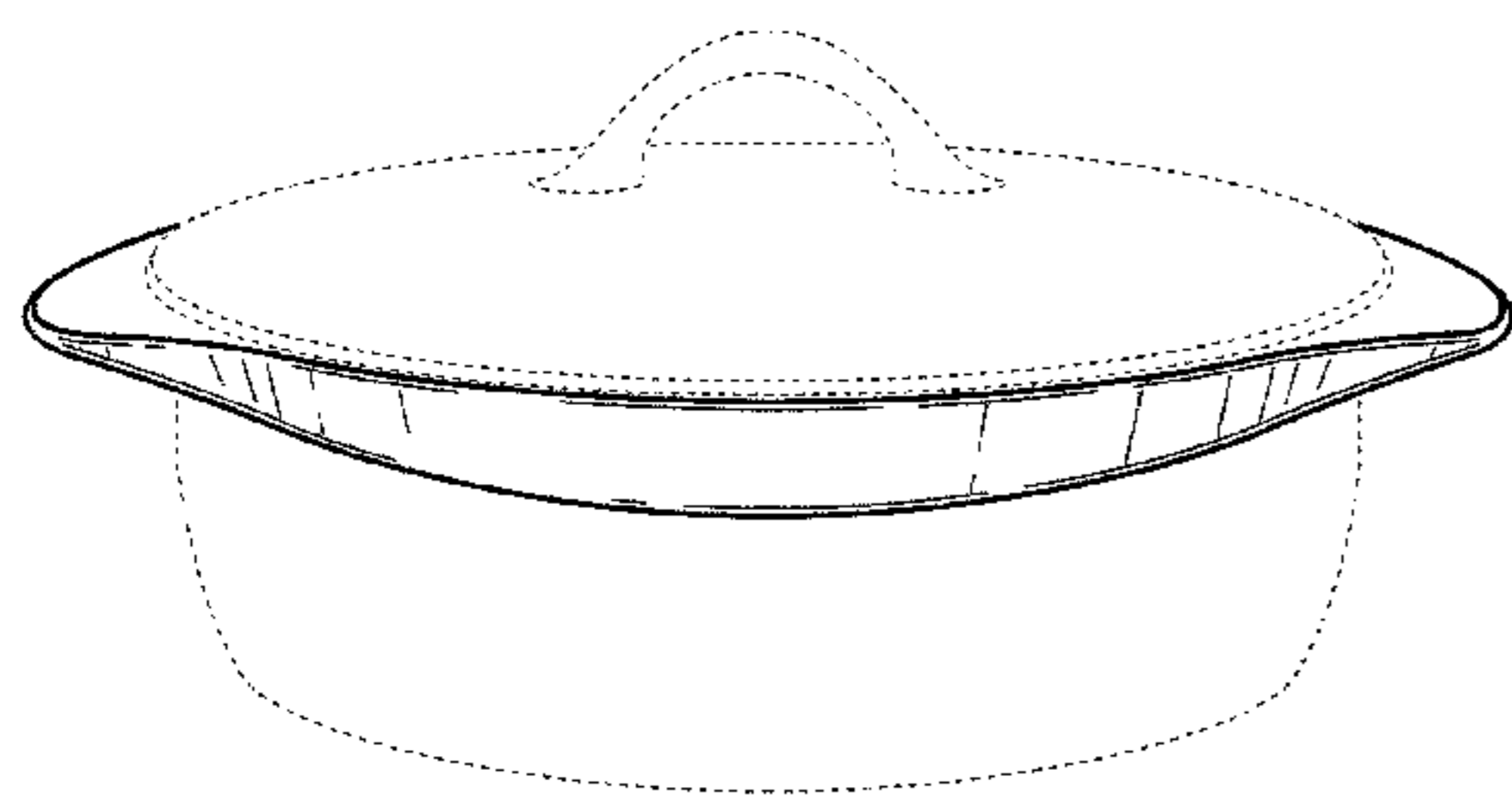


FIG. 2 is a front view of the ribbon detail of FIG. 1, the rear view being a mirror image thereof.

FIG. 3 is a side view of the ribbon detail of FIG. 1, the opposite side view being a mirror image thereof.

FIG. 4 is a top view of the ribbon detail of FIG. 1.

FIG. 5 is a bottom view of the ribbon detail of FIG. 1.

FIG. 6 is a perspective view of a ribbon detail according to another exemplary embodiment of the present invention and shown on a pot.

FIG. 7 is a front view of the ribbon detail of FIG. 6, the rear view being a mirror image thereof.

FIG. 8 is a side view of the ribbon detail of FIG. 6, the opposite side view being a mirror image thereof.

FIG. 9 is a top view of the ribbon detail of FIG. 6.

FIG. 10 is a bottom view of the ribbon detail of FIG. 6.

FIG. 11 is a perspective view of a ribbon detail according to another exemplary embodiment of the present invention and shown on a pan.

FIG. 12 is a front view of the ribbon detail of FIG. 11, the rear view being a mirror image thereof.

FIG. 13 is a side view of the ribbon detail of FIG. 11, the opposite side view being a mirror image thereof.

FIG. 14 is a top view of the ribbon detail of FIG. 11.

FIG. 15 is a bottom view of the ribbon detail of FIG. 11.

FIG. 16 is a perspective view of a ribbon detail according to another exemplary embodiment of the present invention and shown on a pan.

FIG. 17 is a front view of the ribbon detail of FIG. 16, the rear view being a mirror image thereof.

FIG. 18 is a side view of the ribbon detail of FIG. 16, the opposite side view being a mirror image thereof.

FIG. 19 is a top view of the ribbon detail of FIG. 16.

FIG. 20 is a bottom view of the ribbon detail of FIG. 16.

FIG. 21 is a perspective view of a ribbon detail according to another exemplary embodiment of the present invention and shown on a pot.

FIG. 22 is a front view of the ribbon detail of FIG. 21, the rear view being a mirror image thereof.

FIG. 23 is a side view of the ribbon detail of FIG. 21, the opposite side view being a mirror image thereof.

FIG. 24 is a top view of the ribbon detail of FIG. 21.

FIG. 25 is a bottom view of the ribbon detail of FIG. 21.

FIG. 26 is a perspective view of a ribbon detail according to another exemplary embodiment of the present invention and shown on a pot.

FIG. 27 is a front view of the ribbon detail of FIG. 26, the rear view being a mirror image thereof.

FIG. 28 is a side view of the ribbon detail of FIG. 26, the opposite side view being a mirror image thereof.

FIG. 29 is a top view of the ribbon detail of FIG. 26.

FIG. 30 is a bottom view of the ribbon detail of FIG. 26.

FIG. 31 is a perspective view of a ribbon detail according to another exemplary embodiment of the present invention and shown on a pan.

FIG. 32 is a front view of the ribbon detail of FIG. 31, the rear view being a mirror image thereof.

FIG. 33 is a side view of the ribbon detail of FIG. 31, the opposite side view being a mirror image thereof.

FIG. 34 is a top view of the ribbon detail of FIG. 31.

FIG. 35 is a bottom view of the ribbon detail of FIG. 31.

FIG. 36 is a perspective view of a ribbon detail according to another exemplary embodiment of the present invention and shown on a pan.

FIG. 37 is a front view of the ribbon detail of FIG. 36, the rear view being a mirror image thereof.

FIG. 38 is a side view of the ribbon detail of FIG. 36, the opposite side view being a mirror image thereof.

FIG. 39 is a top view of the ribbon detail of FIG. 36.

FIG. 40 is a bottom view of the ribbon detail of FIG. 36.

FIG. 41 is a perspective view of a ribbon detail according to another exemplary embodiment of the present invention and shown on a pan.

FIG. 42 is a front view of the ribbon detail of FIG. 41, the rear view being a mirror image thereof.

FIG. 43 is a side view of the ribbon detail of FIG. 41, the opposite side view being a mirror image thereof.

FIG. 44 is a top view of the ribbon detail of FIG. 41.

FIG. 45 is a bottom view of the ribbon detail of FIG. 41.

FIG. 46 is a perspective view of a ribbon detail according to another exemplary embodiment of the present invention and shown on a pan.

FIG. 47 is a front view of the ribbon detail of FIG. 46, the rear view being a mirror image thereof.

FIG. 48 is a side view of the ribbon detail of FIG. 46, the opposite side view being a mirror image thereof.

FIG. 49 is a top view of the ribbon detail of FIG. 46.

FIG. 50 is a bottom view of the ribbon detail of FIG. 46.

FIG. 51 is a perspective view of a ribbon detail according to another exemplary embodiment of the present invention and shown on a grill.

FIG. 52 is a front view of the ribbon detail of FIG. 51.

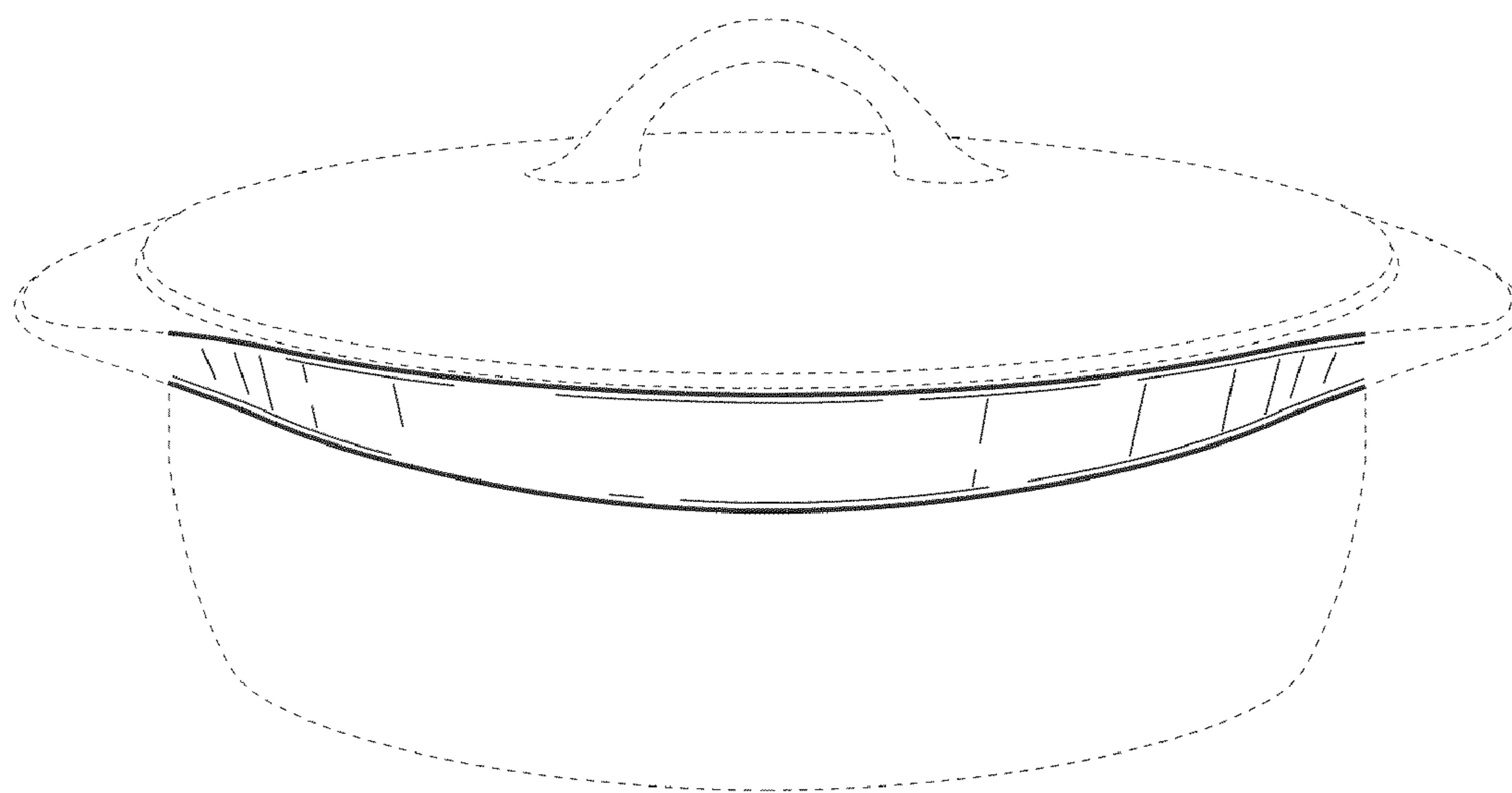
FIG. 53 is a side view of the ribbon detail of FIG. 51, the opposite side view being a mirror image thereof.

FIG. 54 is a side view of the ribbon detail of FIG. 51 and shown in an open configuration, the opposite side view being a mirror image thereof.

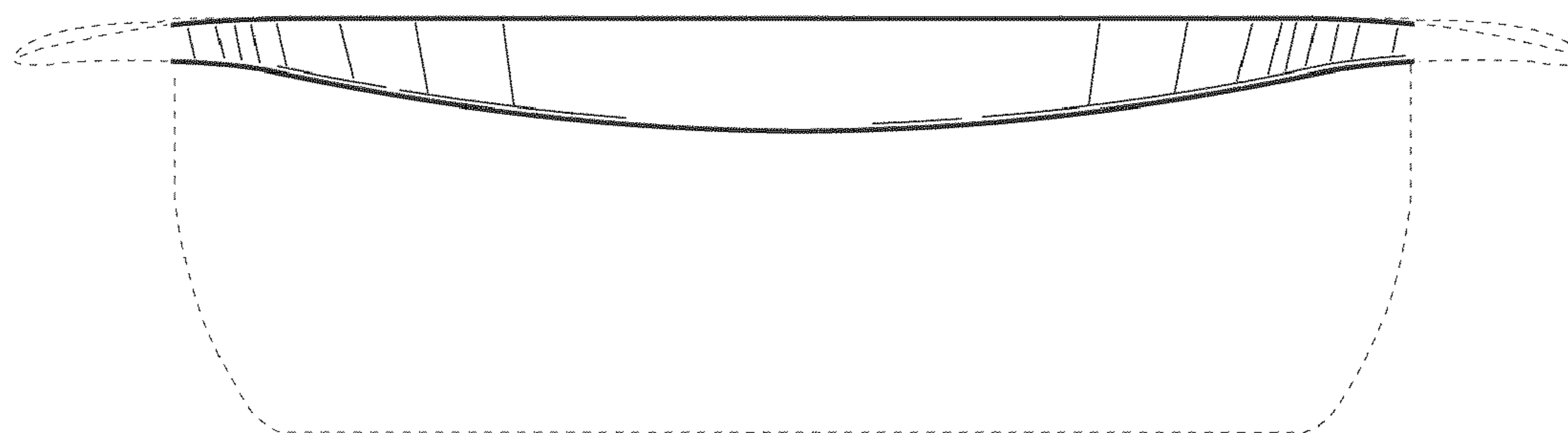
FIG. 55 is a rear view of the ribbon detail of FIG. 51; and,

FIG. 56 is a top view of the ribbon detail of FIG. 51.

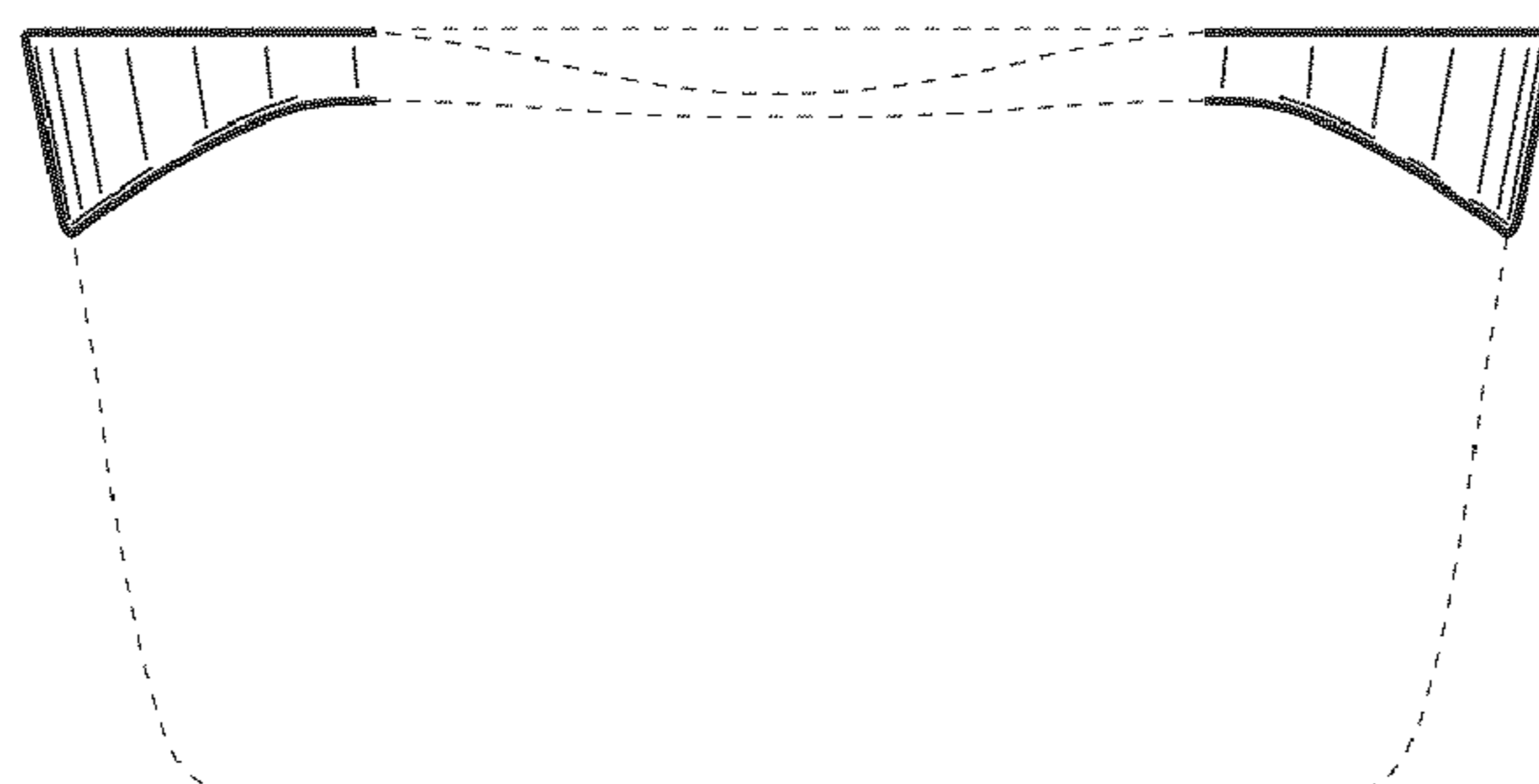
The broken lines of FIGS. 1–56 are for illustrative purposes only and form no part of the claimed design.



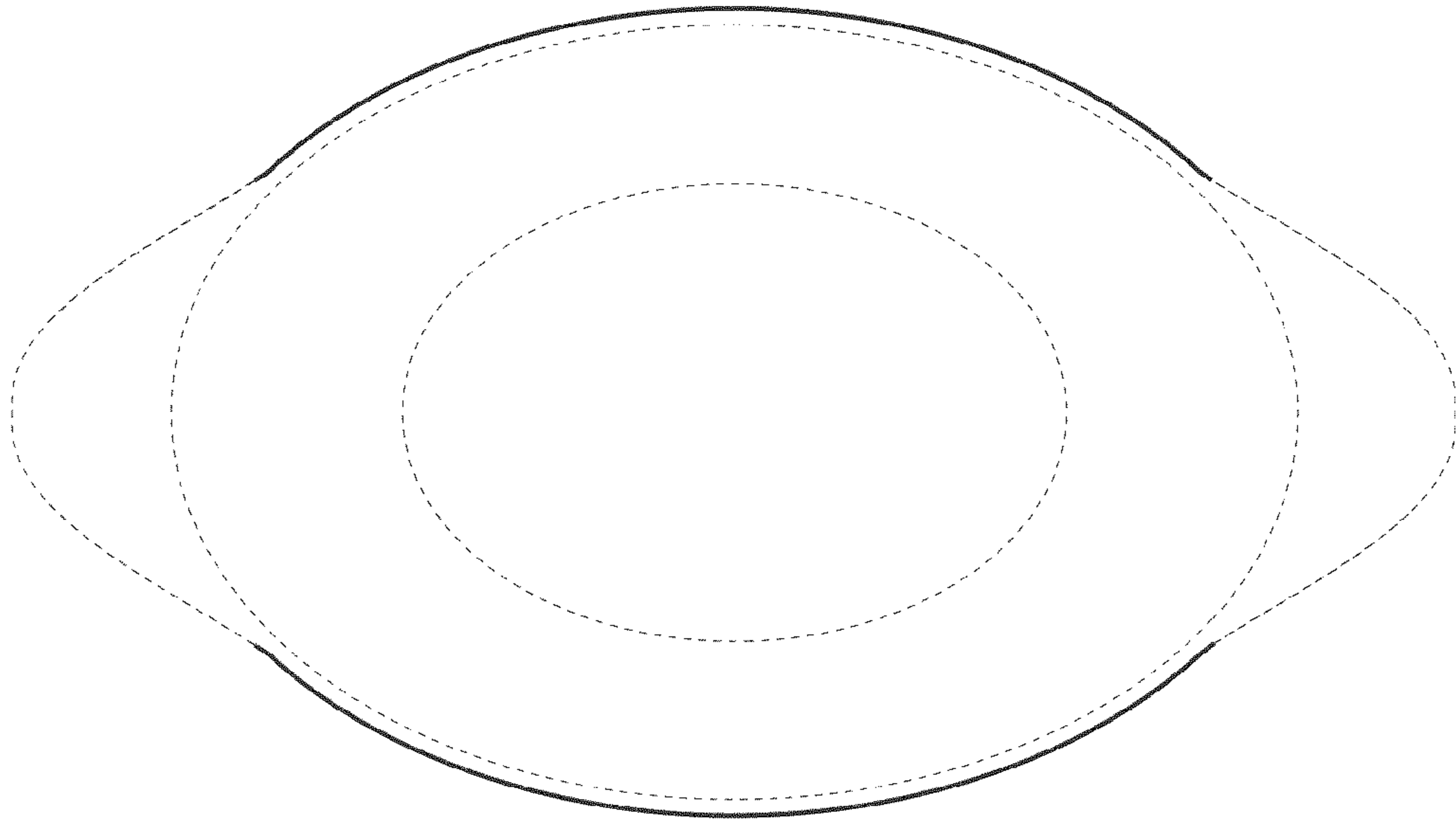
**Fig. 1**



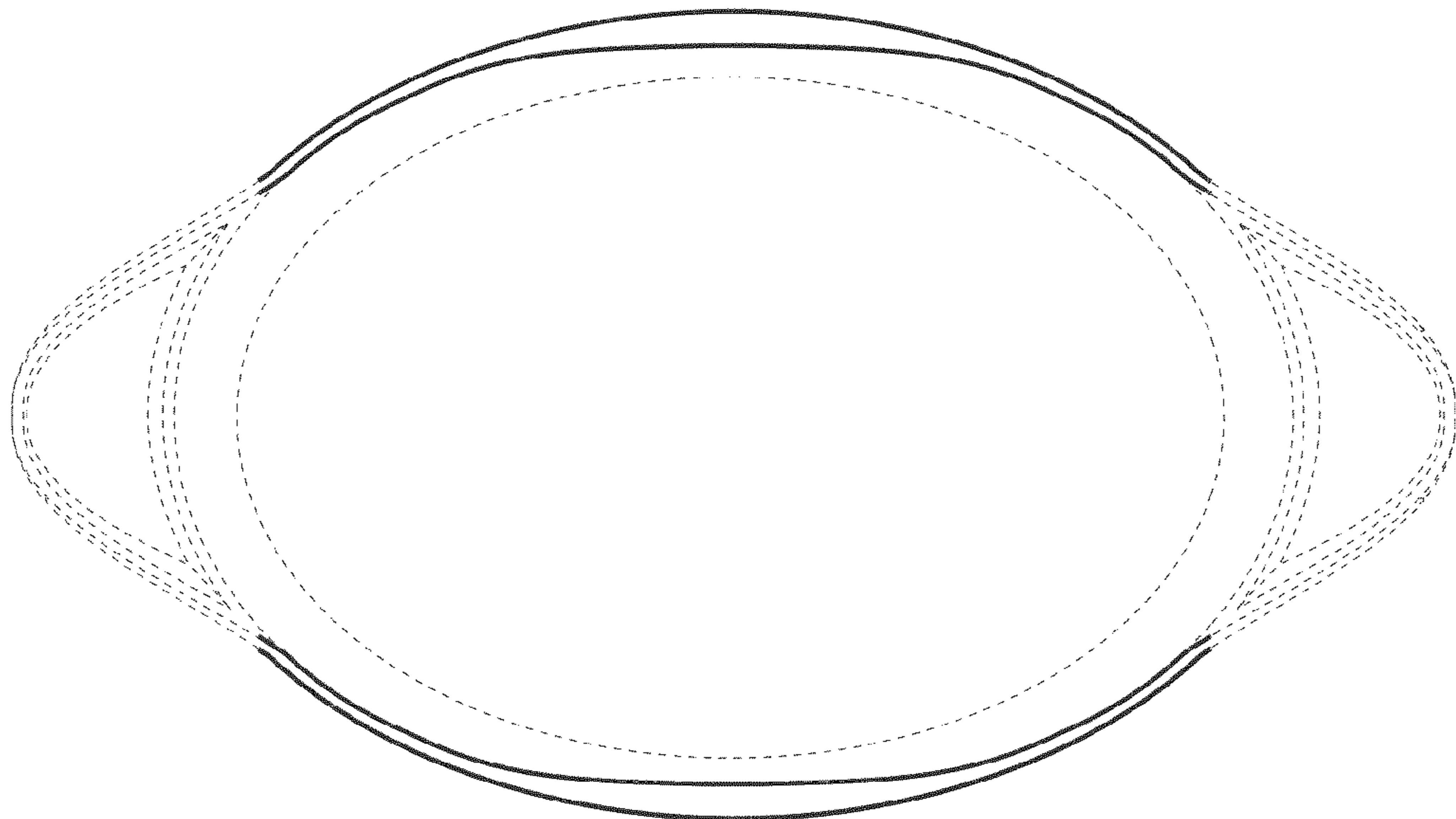
**Fig. 2**



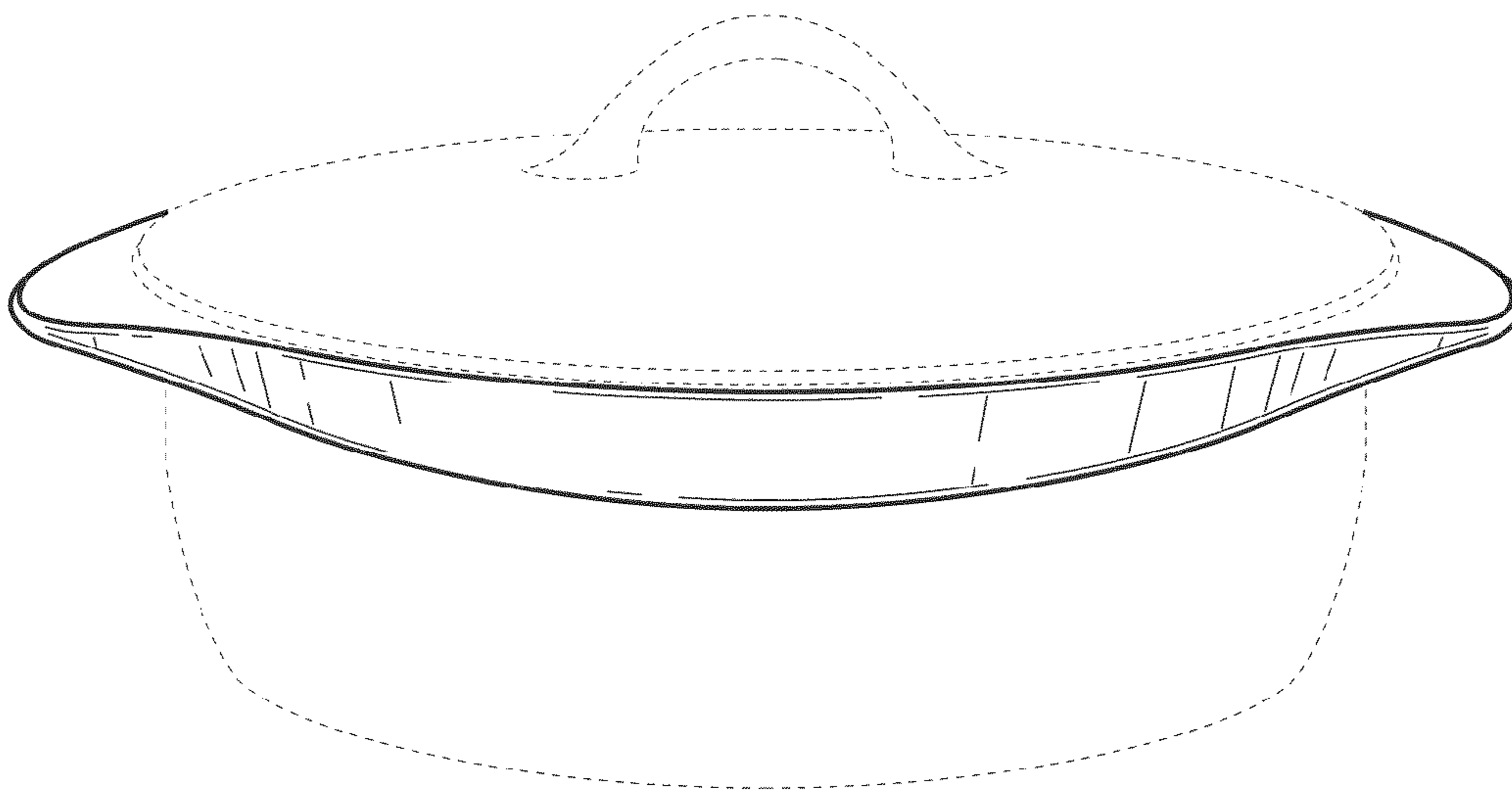
**Fig. 3**



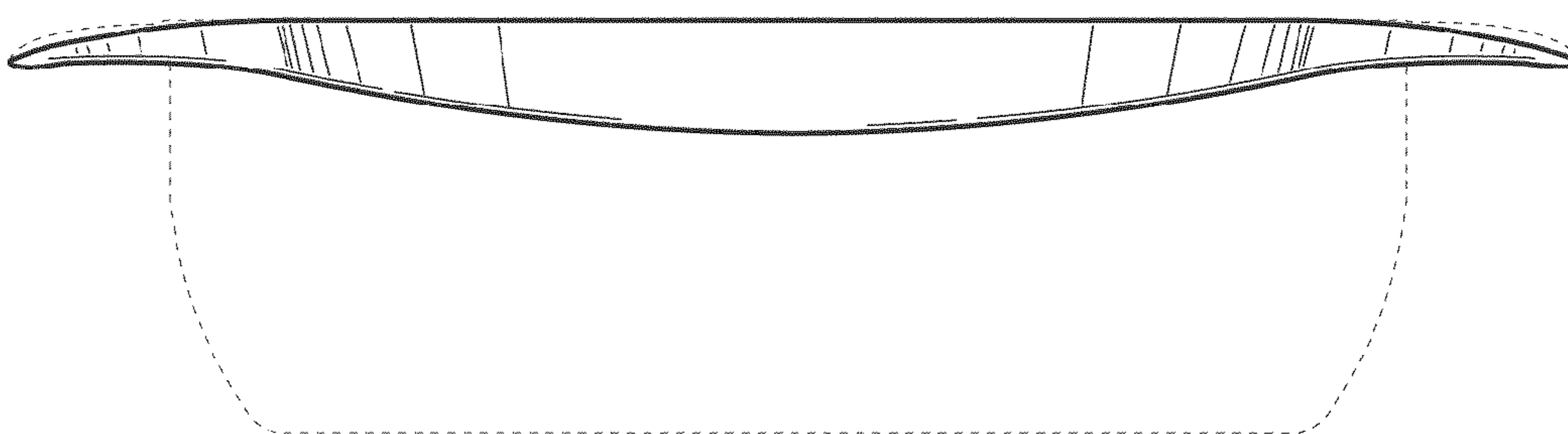
**Fig. 4**



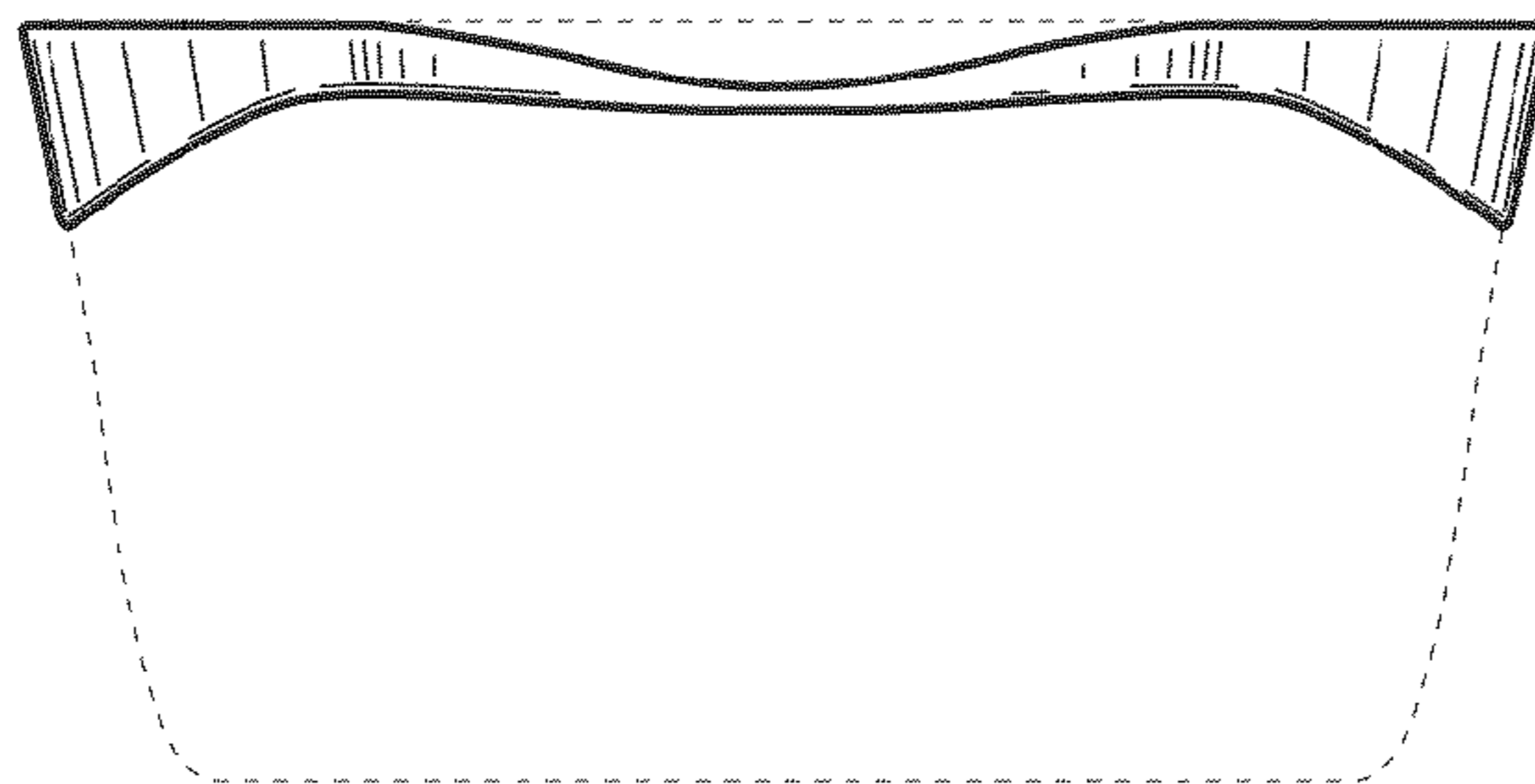
**Fig. 5**



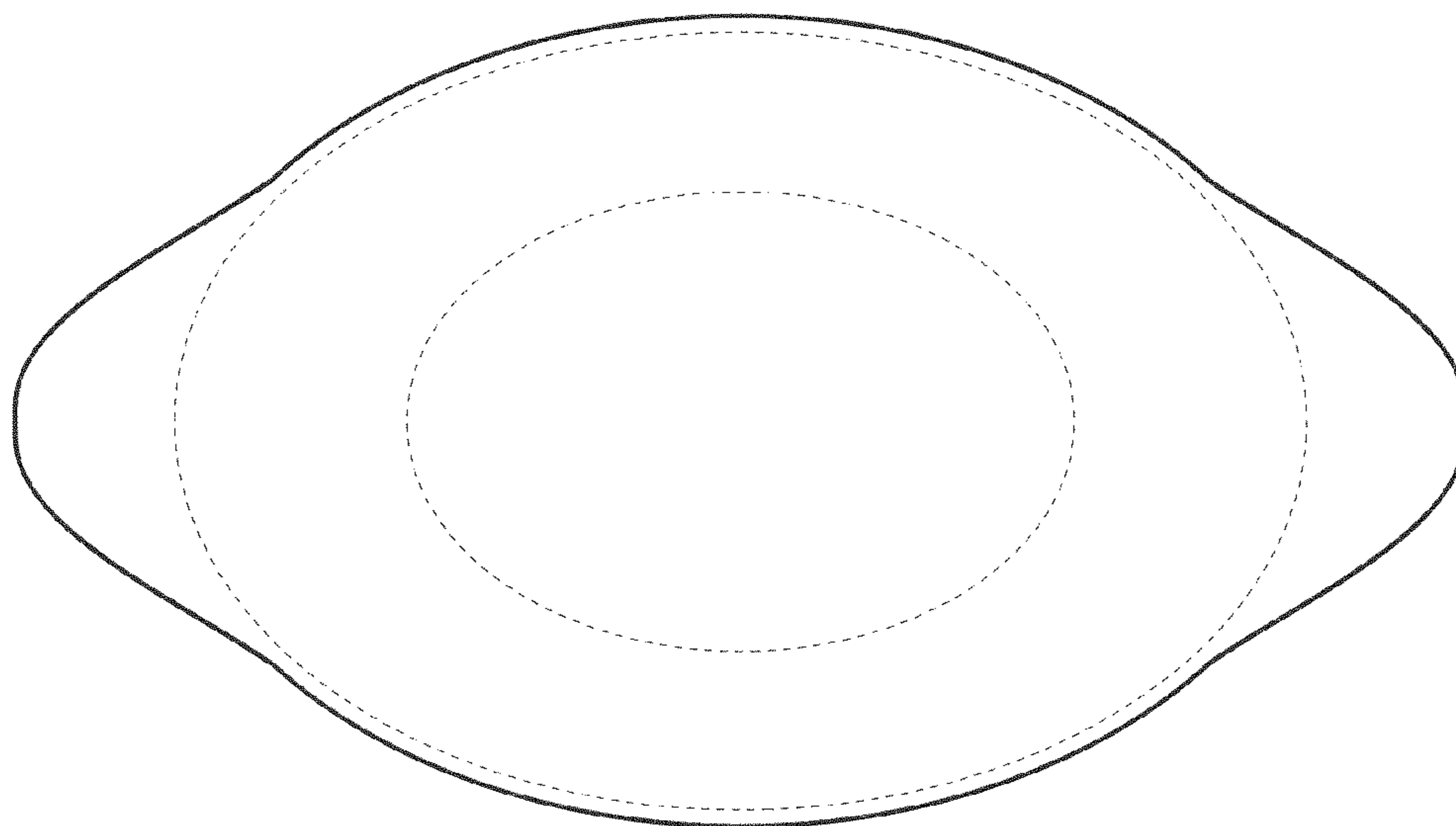
**Fig. 6**



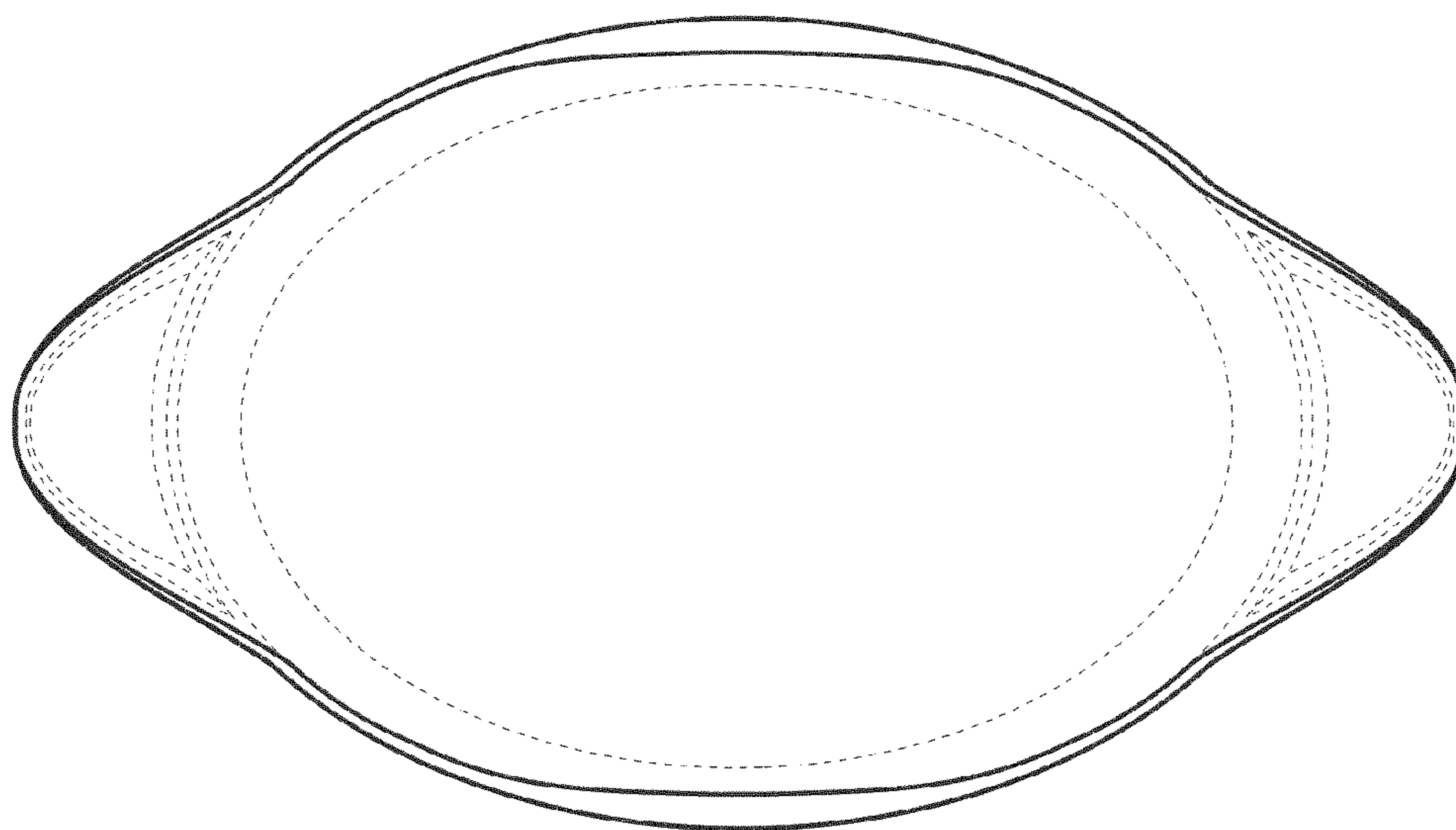
**Fig. 7**



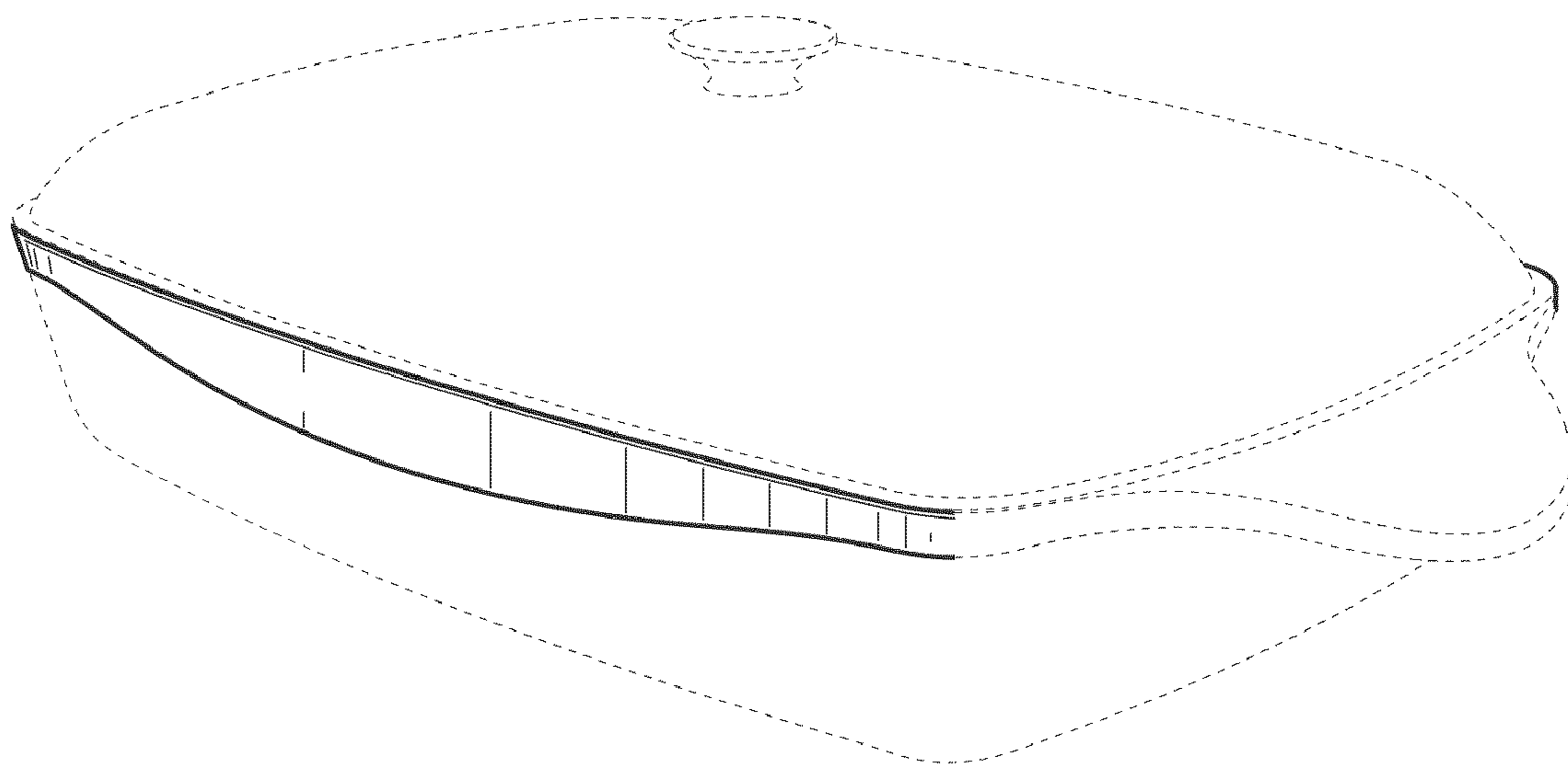
**Fig. 8**



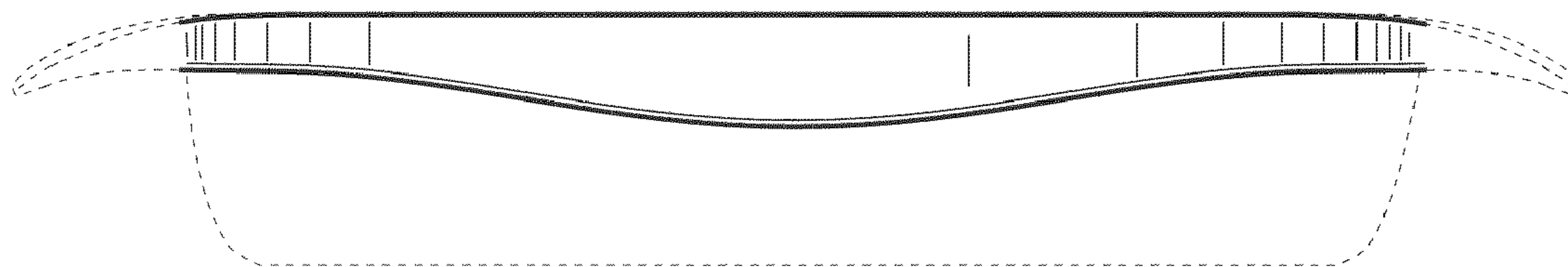
**Fig. 9**



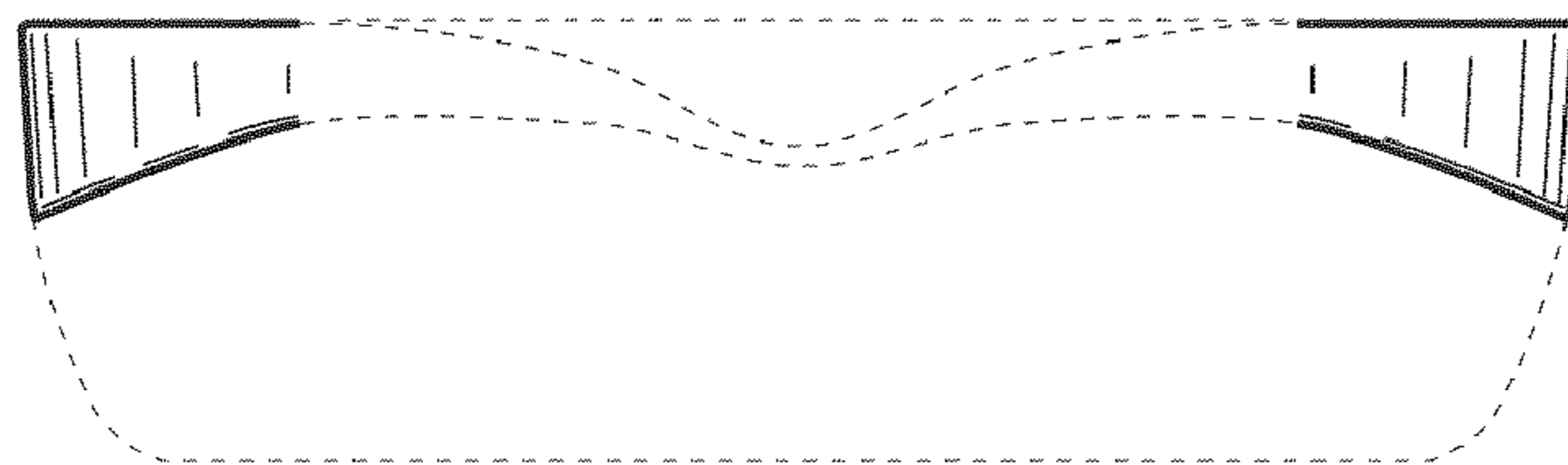
**Fig. 10**



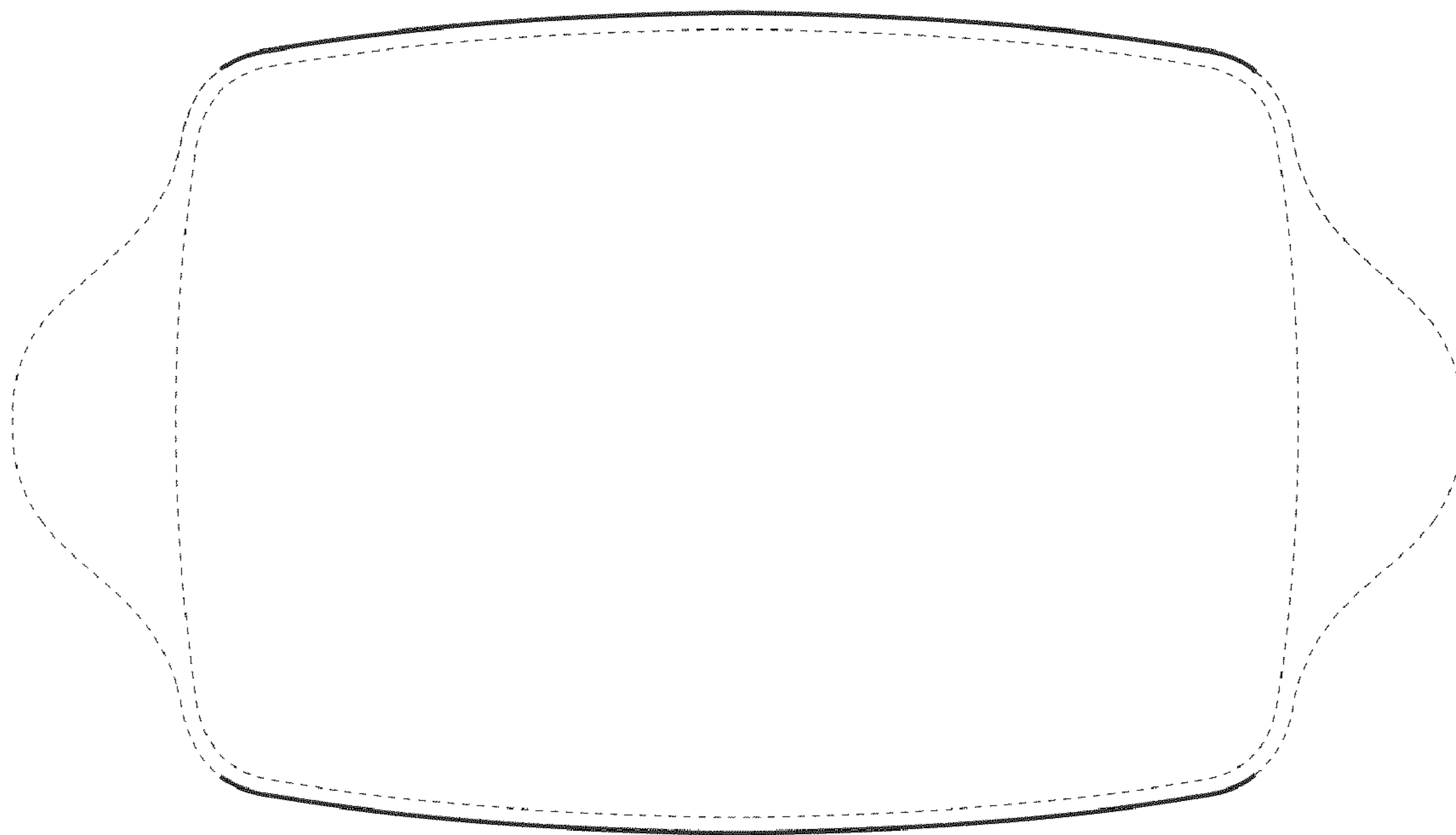
**Fig. 11**



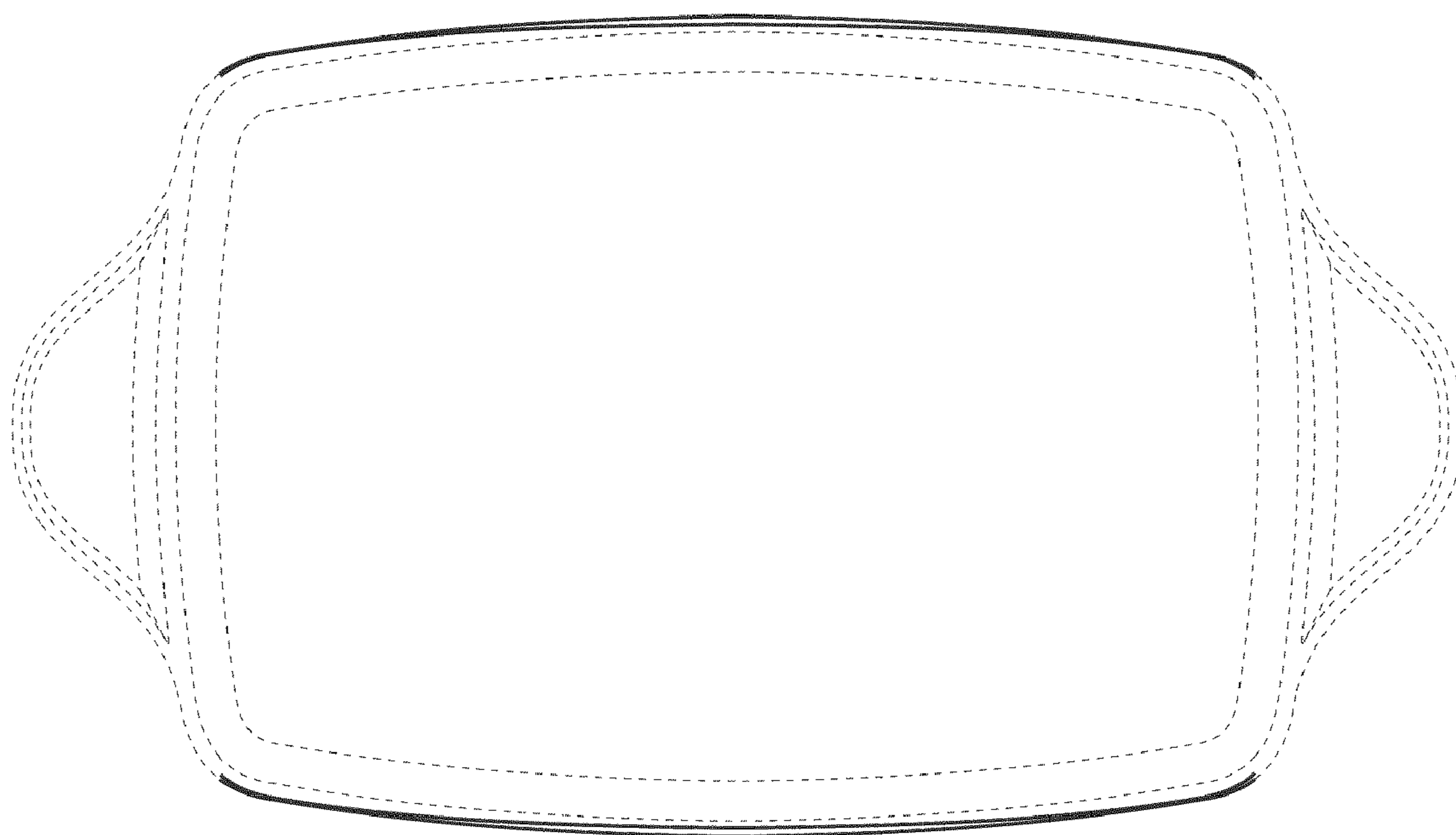
**Fig. 12**



**Fig. 13**

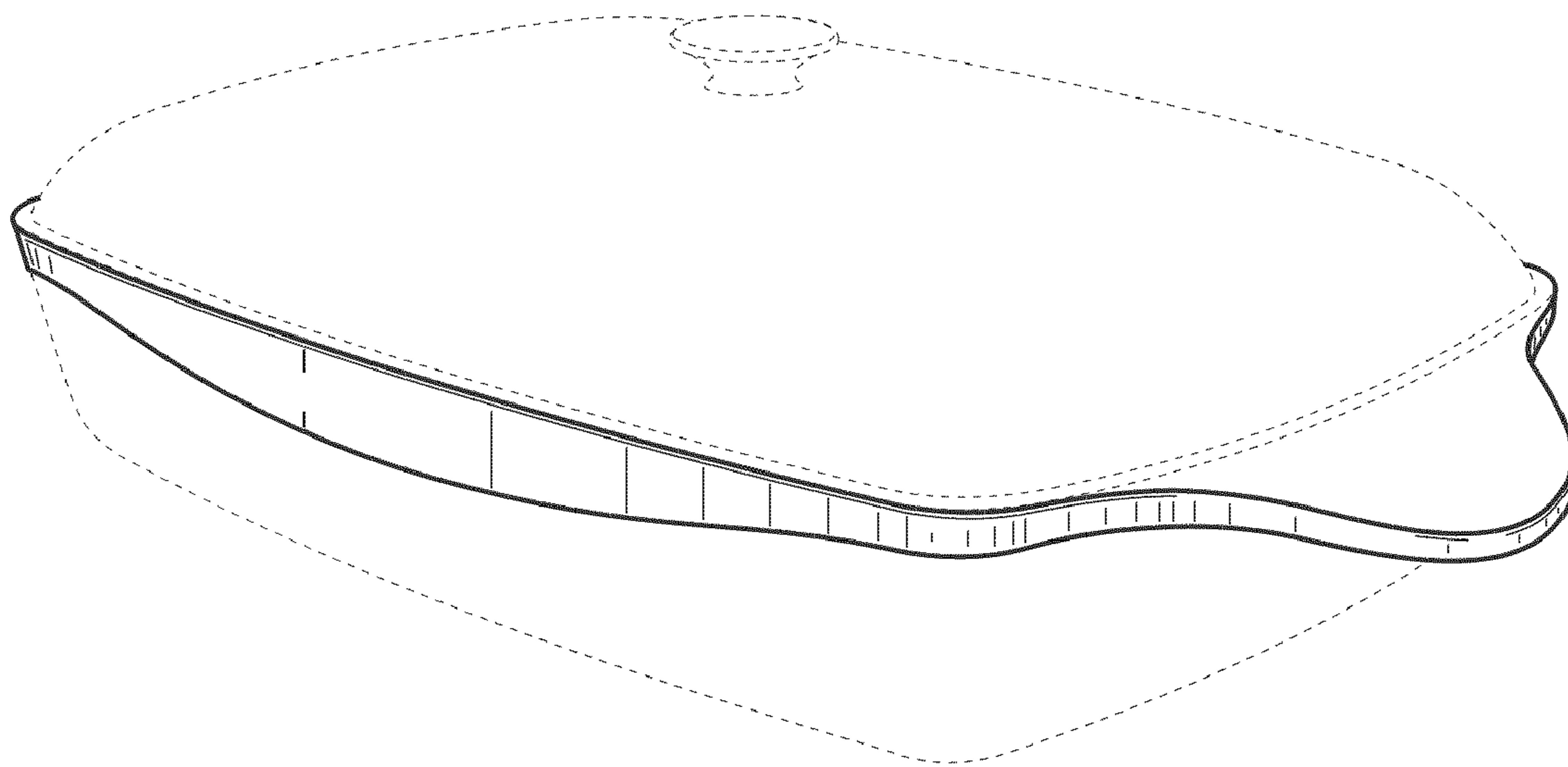


**Fig. 14**

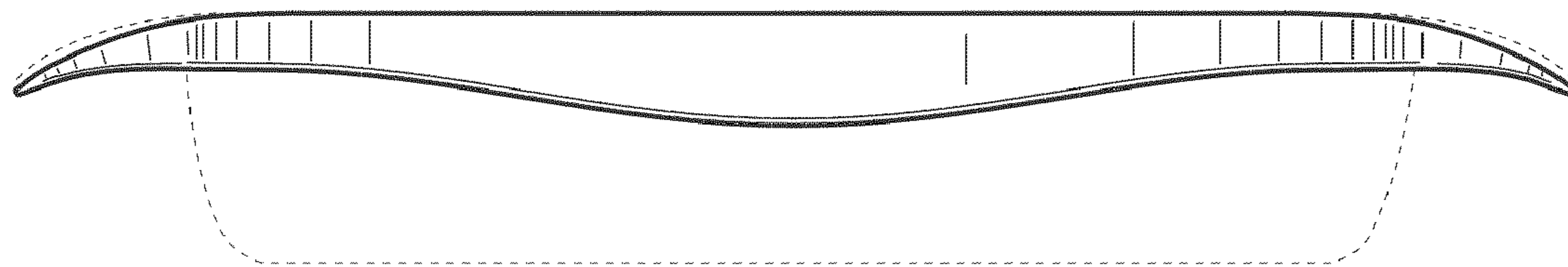


**Fig. 15**

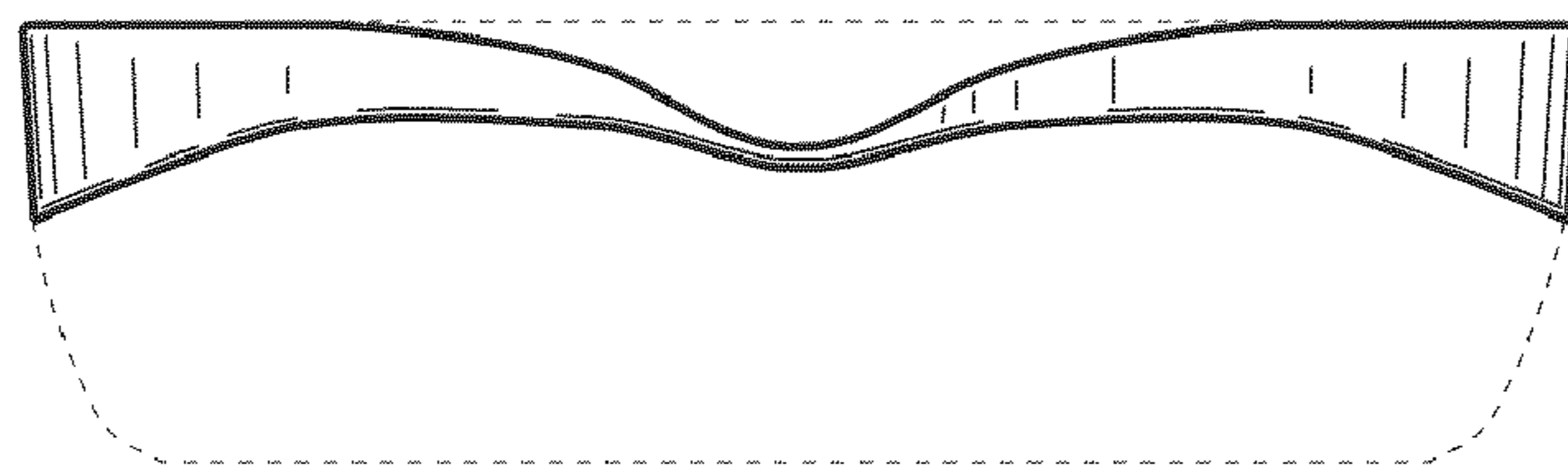




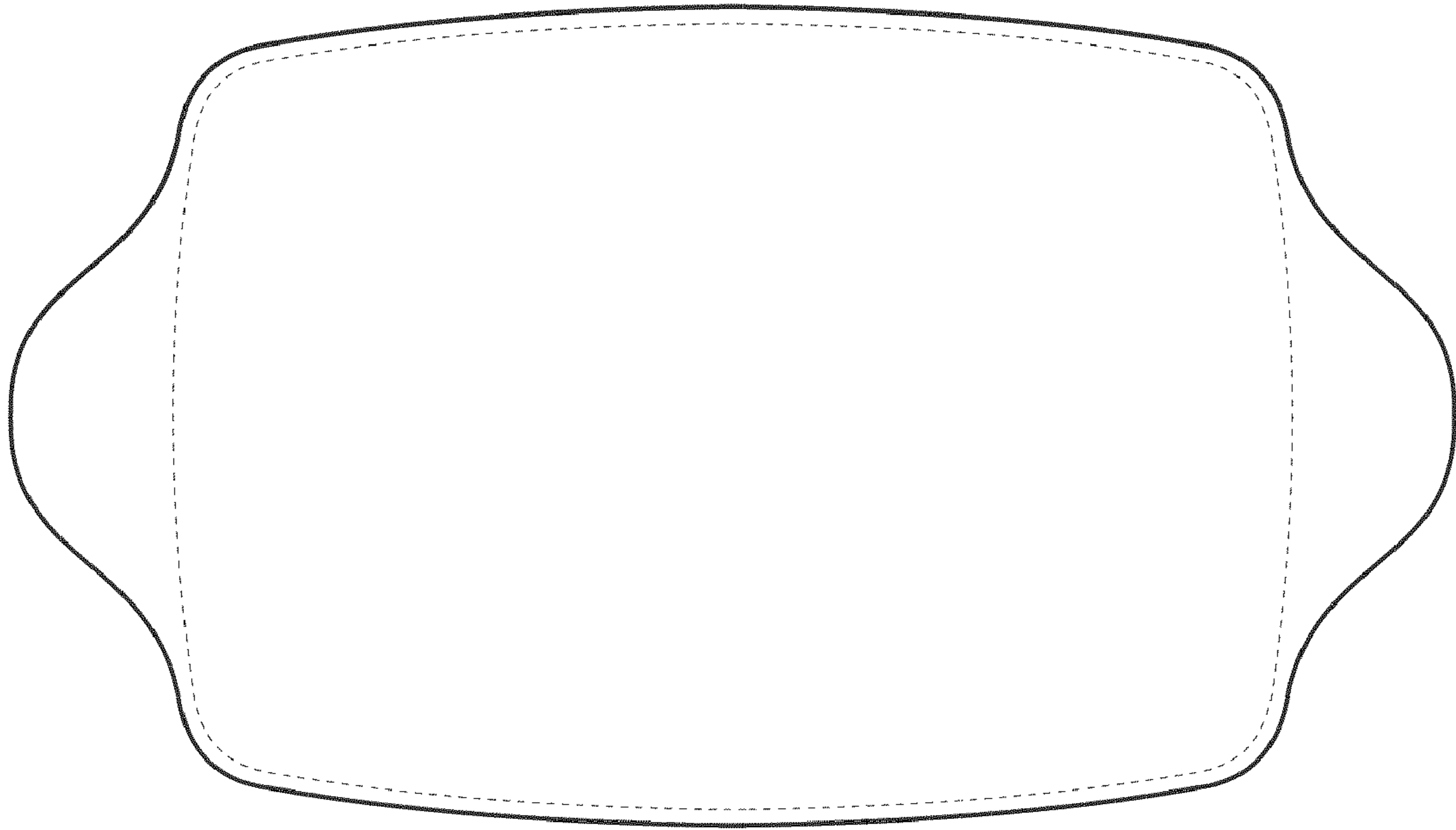
**Fig. 16**



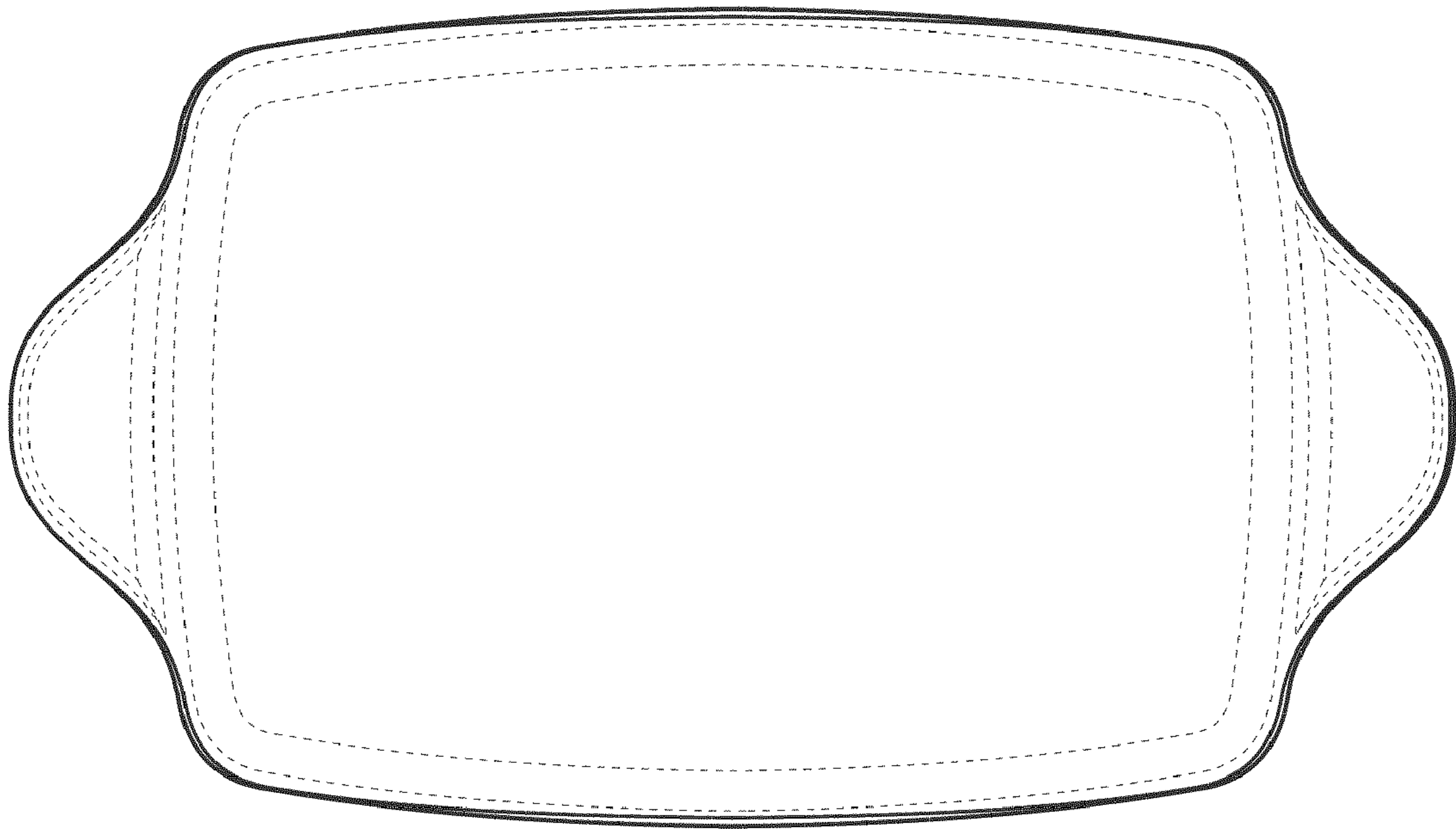
**Fig. 17**



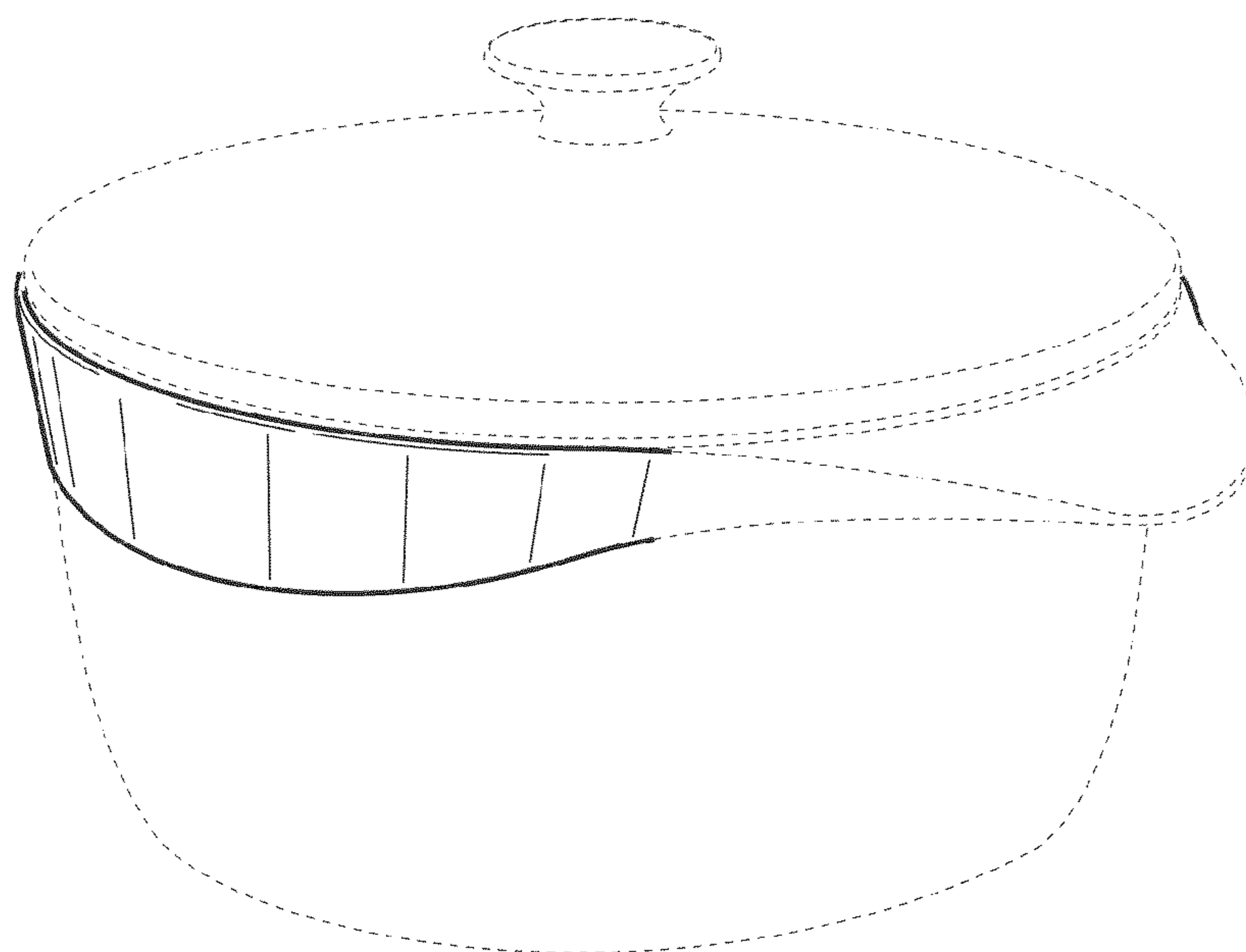
**Fig. 18**



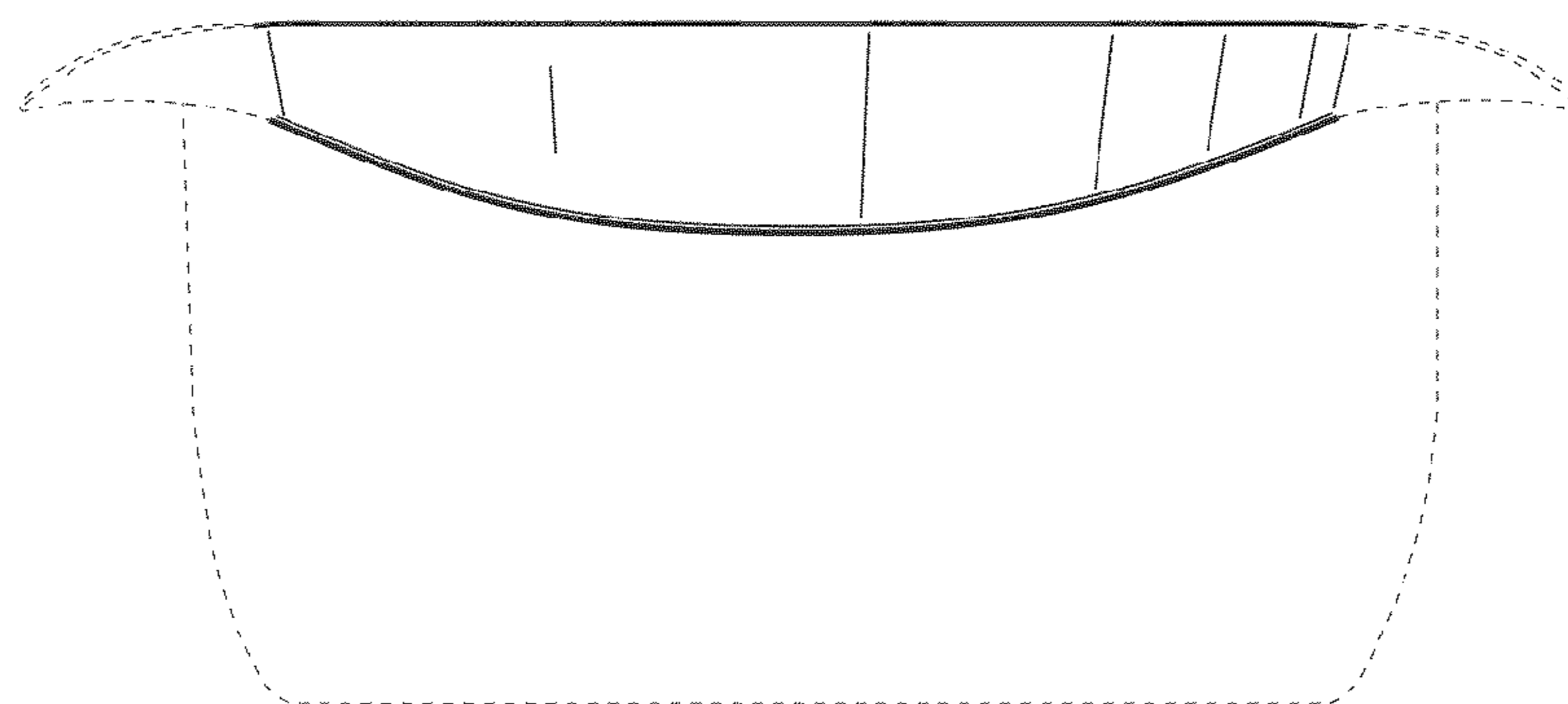
**Fig. 19**



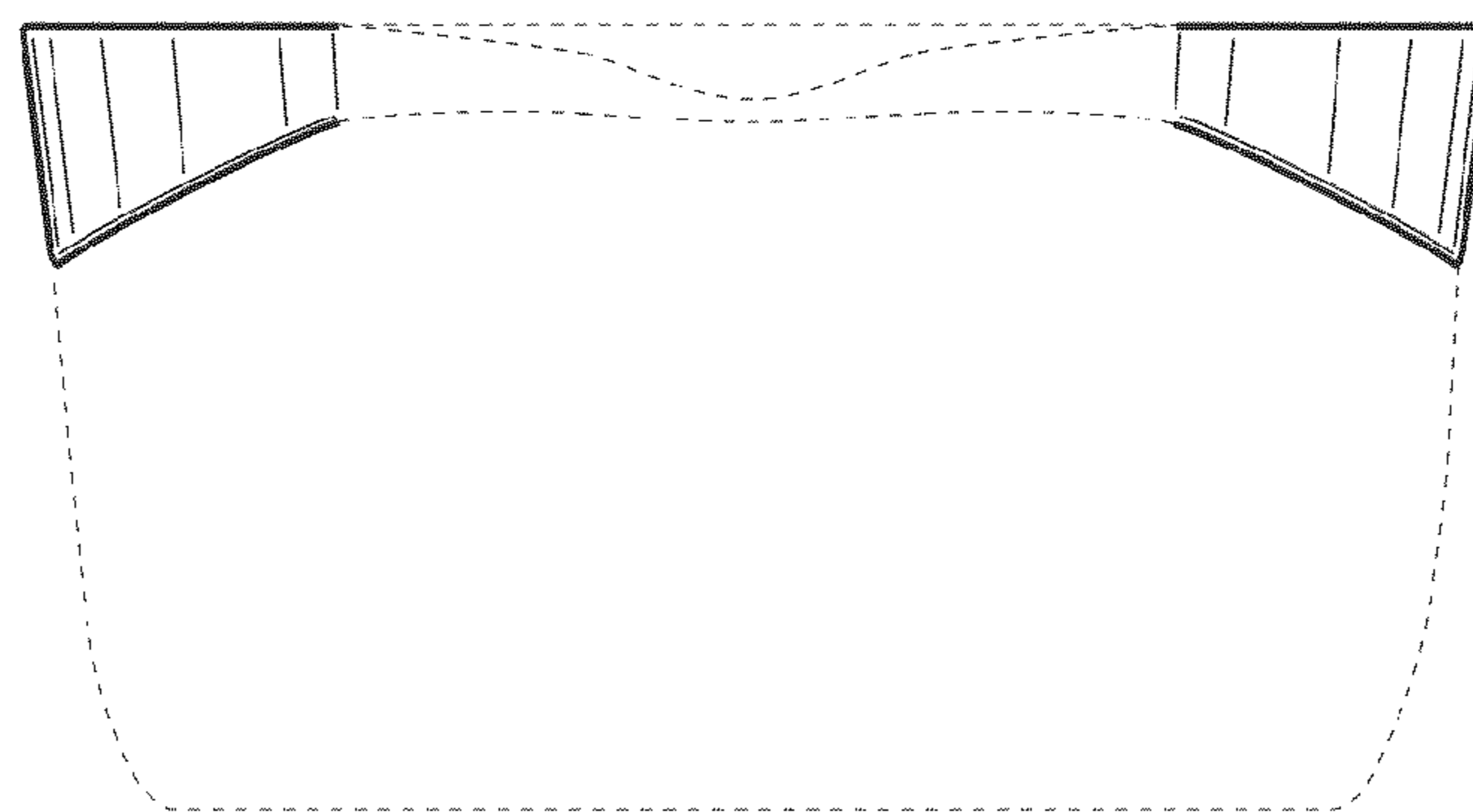
**Fig. 20**



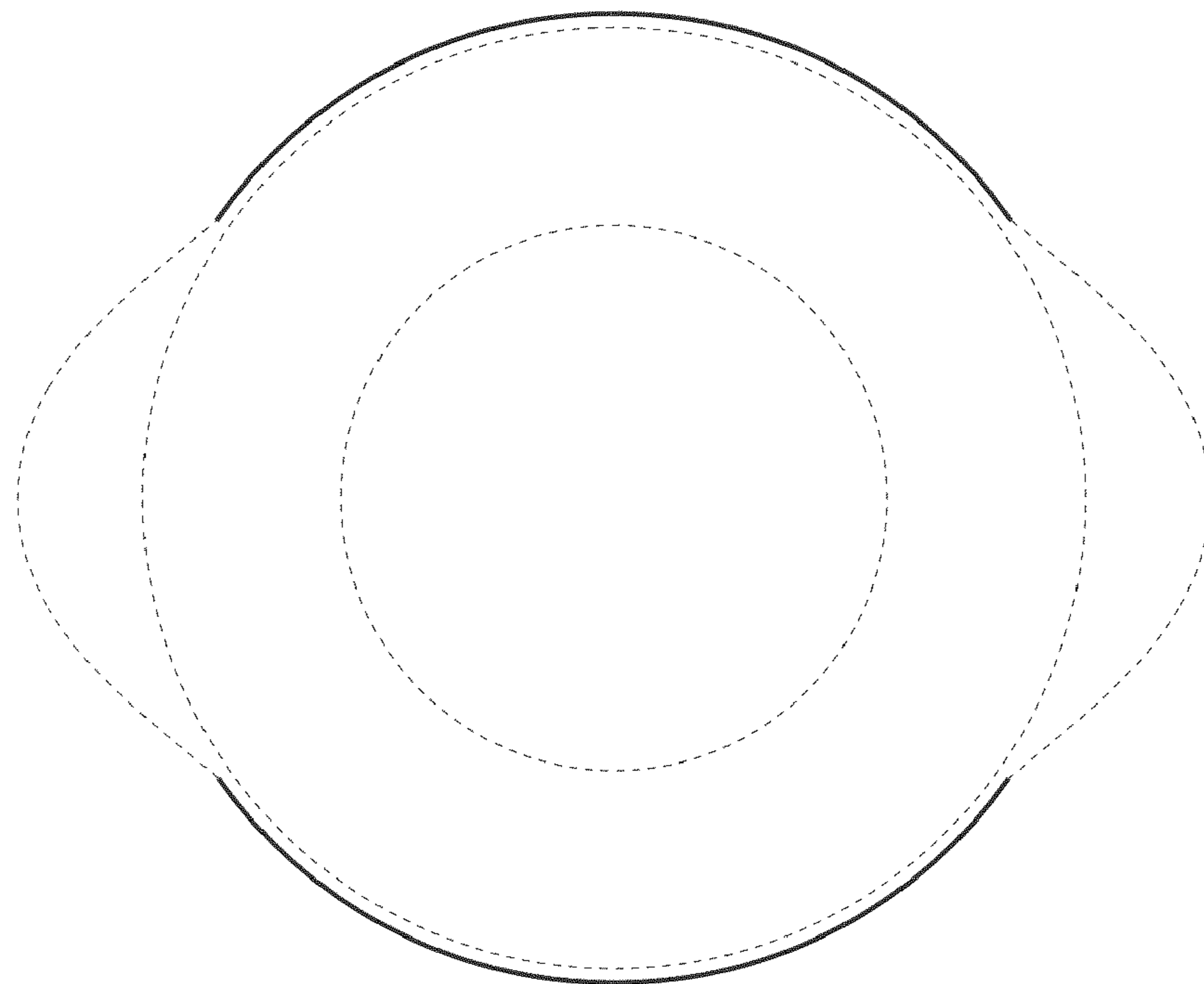
**Fig. 21**



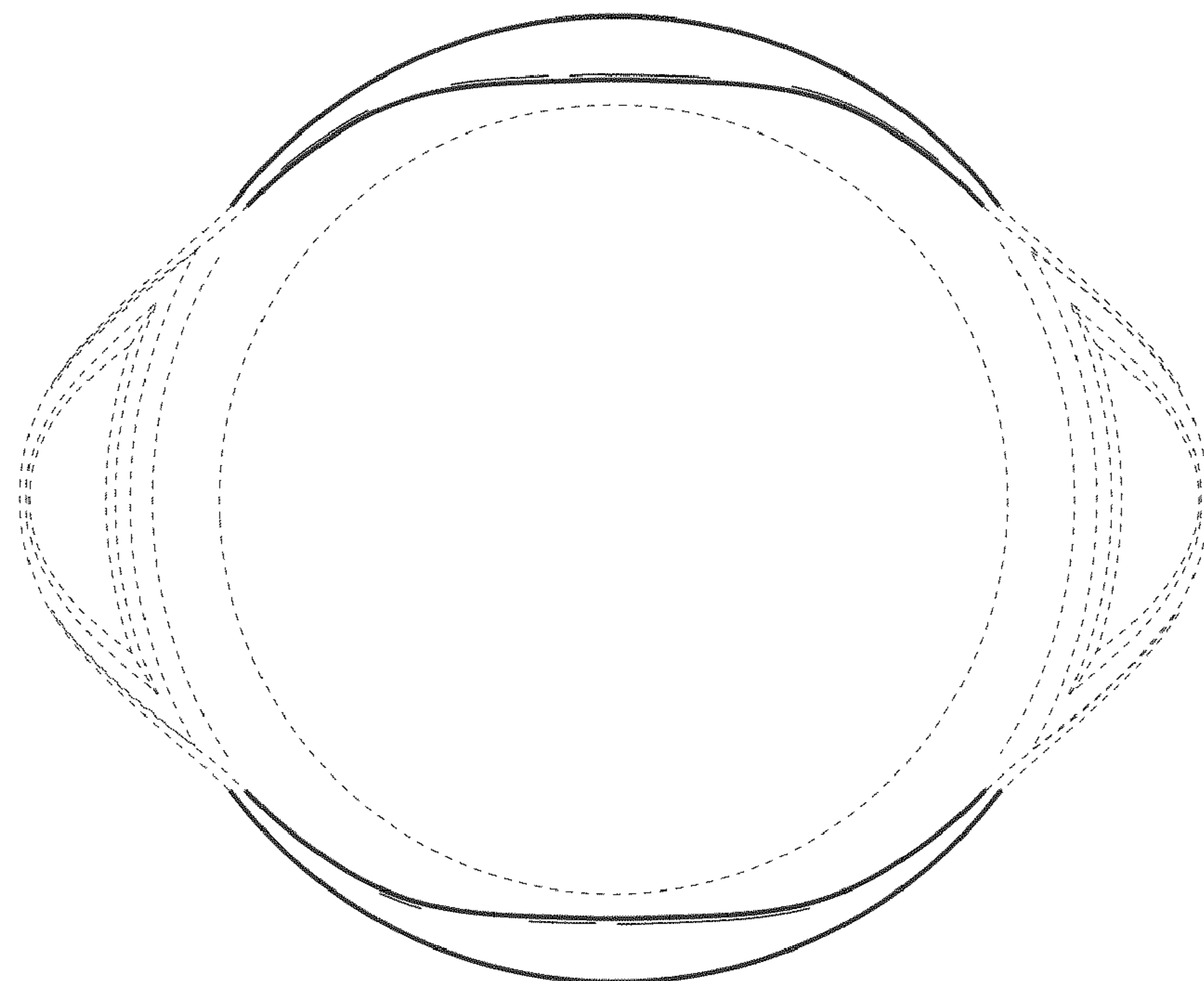
**Fig. 22**



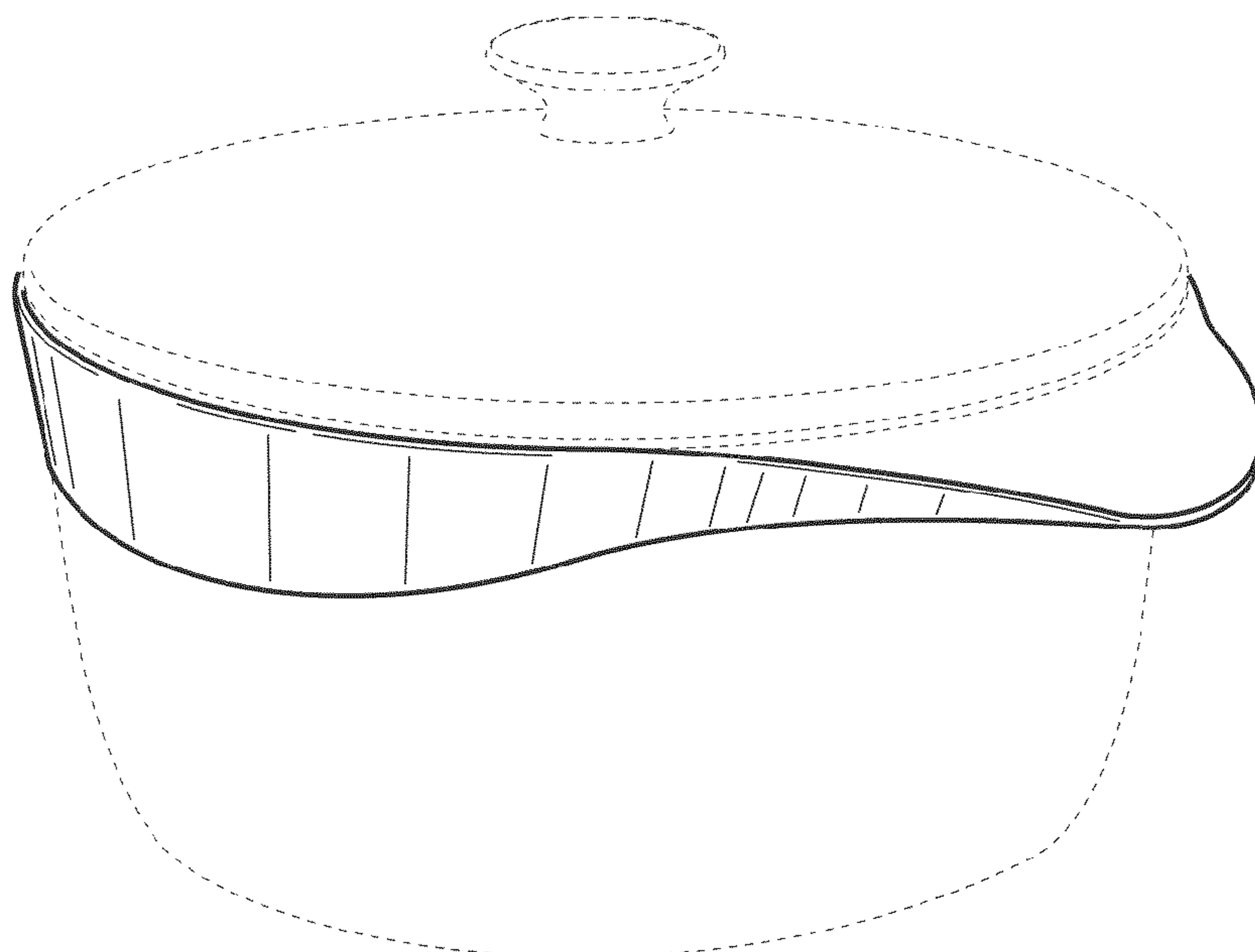
**Fig. 23**



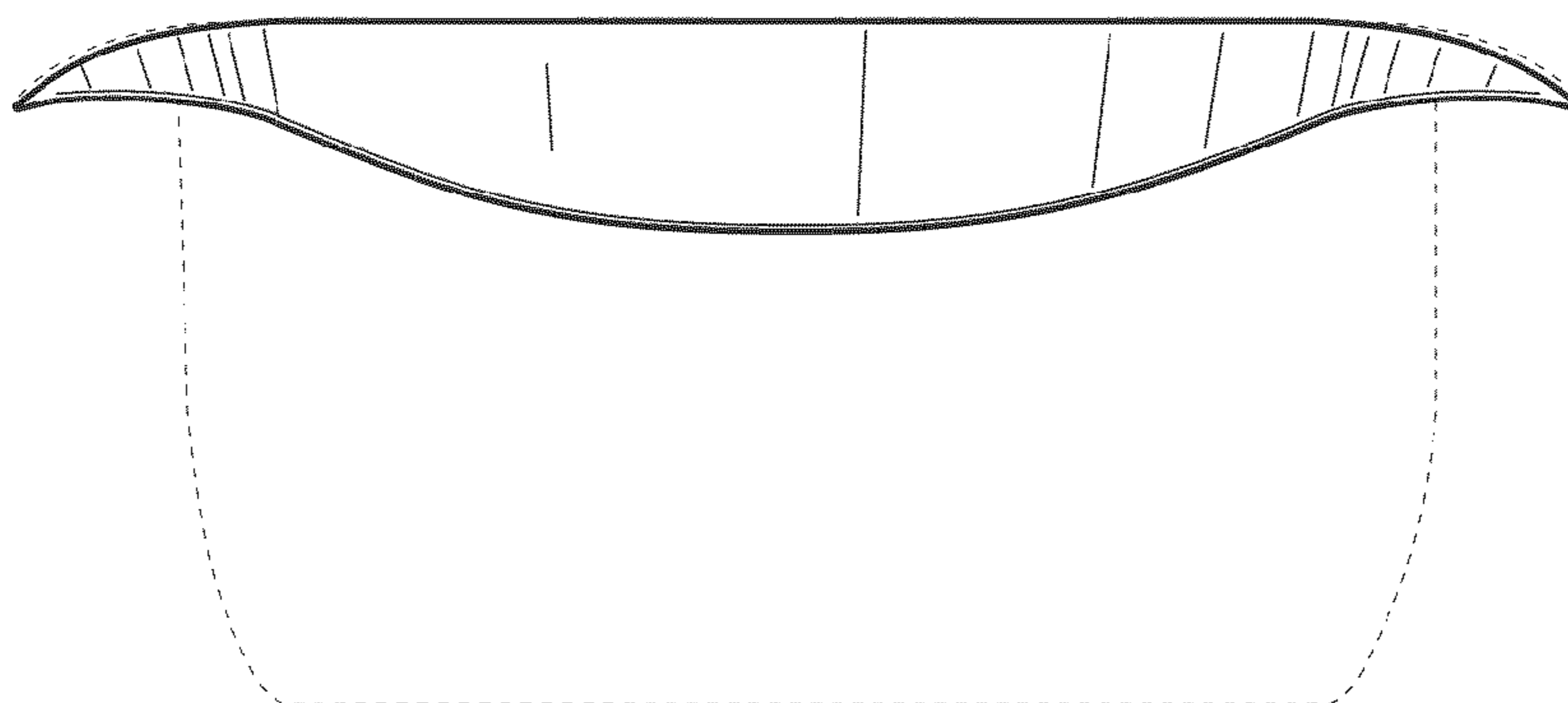
**Fig. 24**



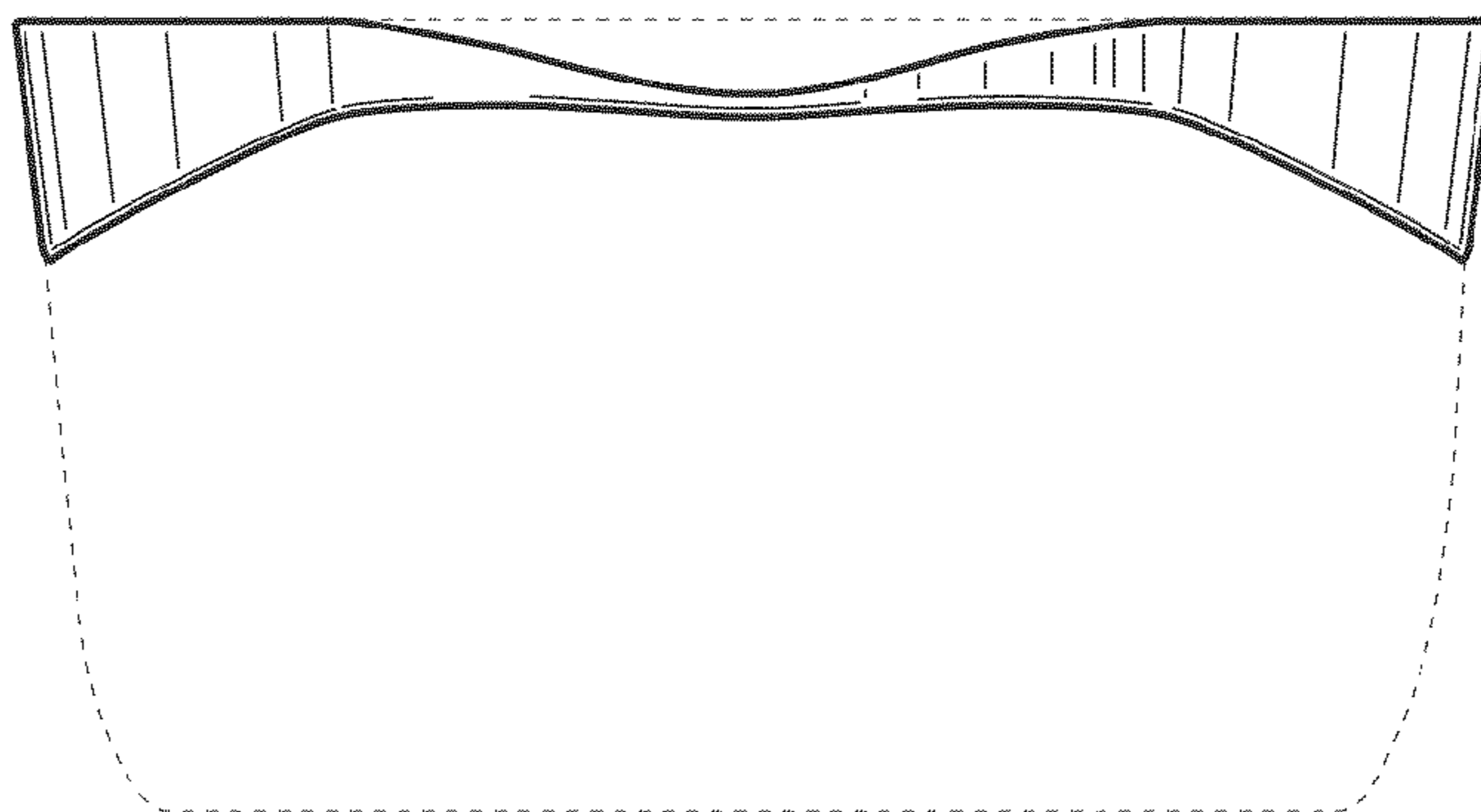
**Fig. 25**



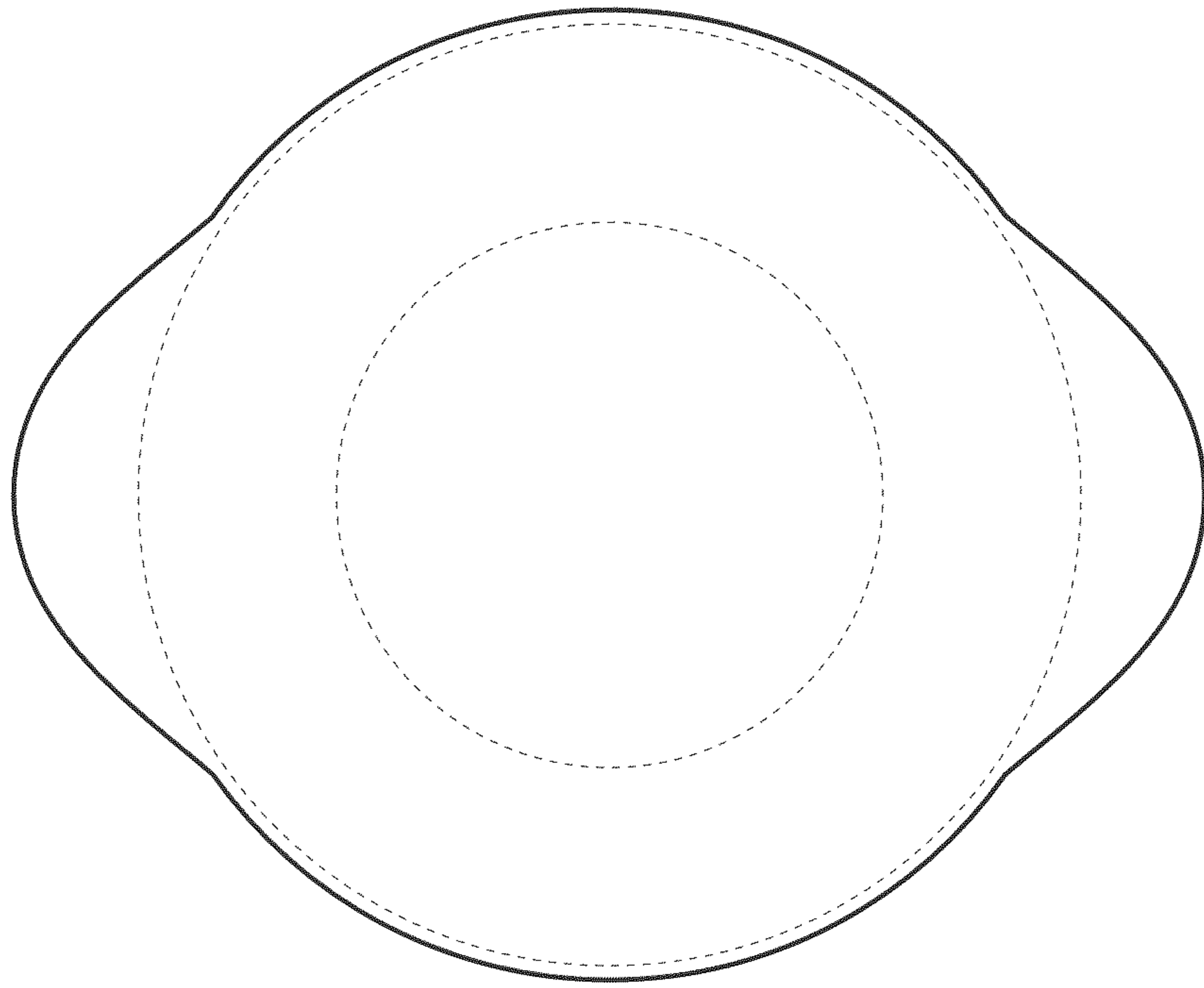
**Fig. 26**



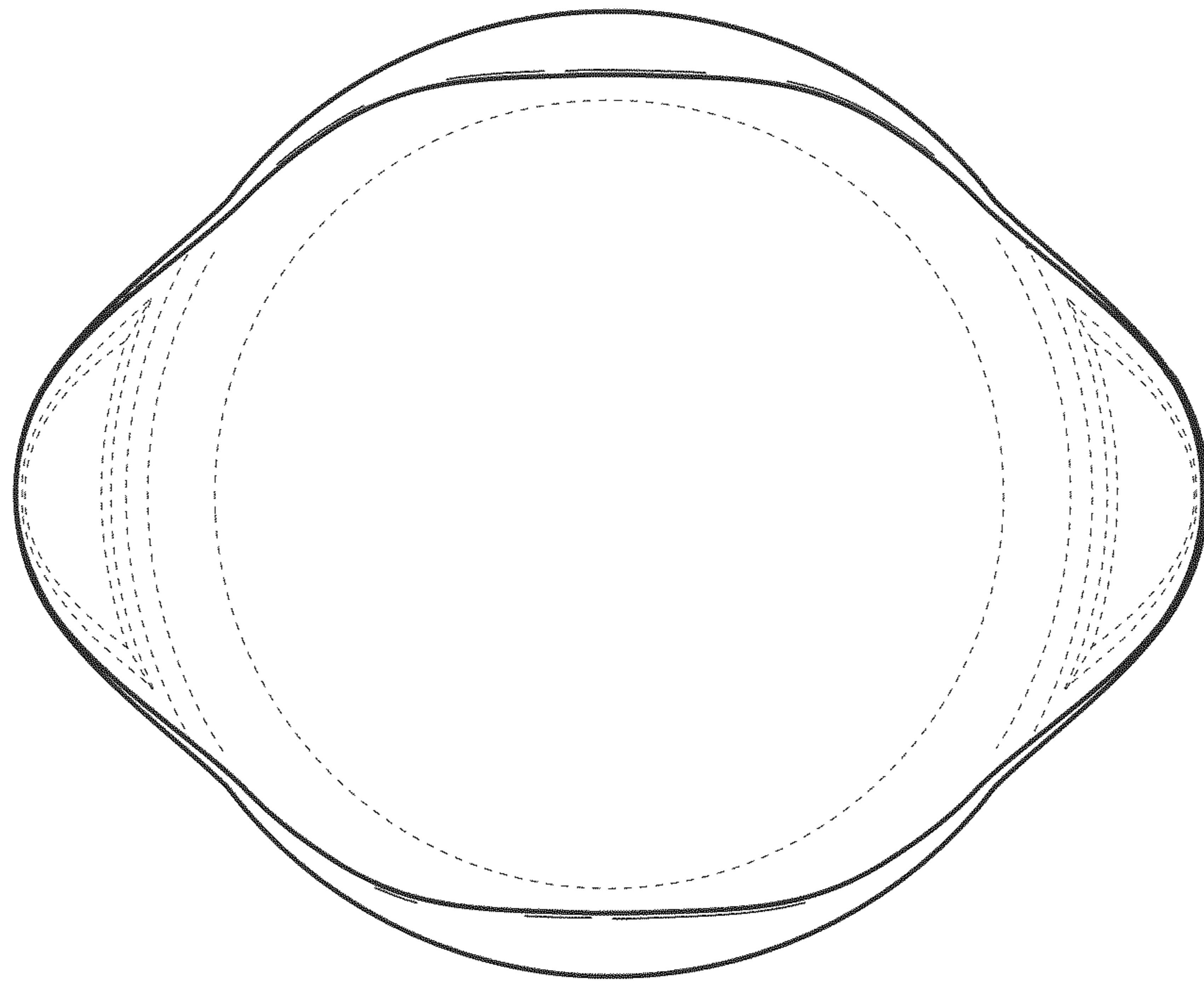
**Fig. 27**



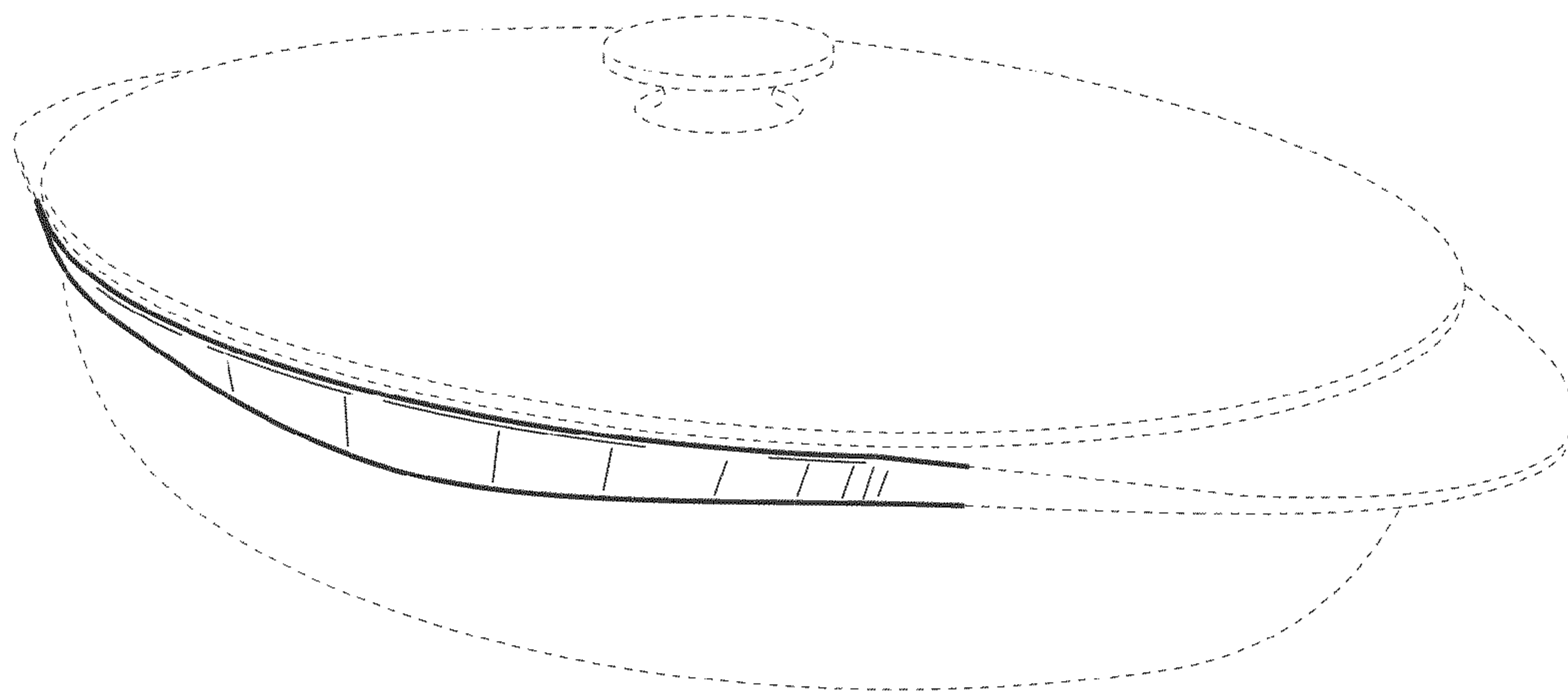
**Fig. 28**



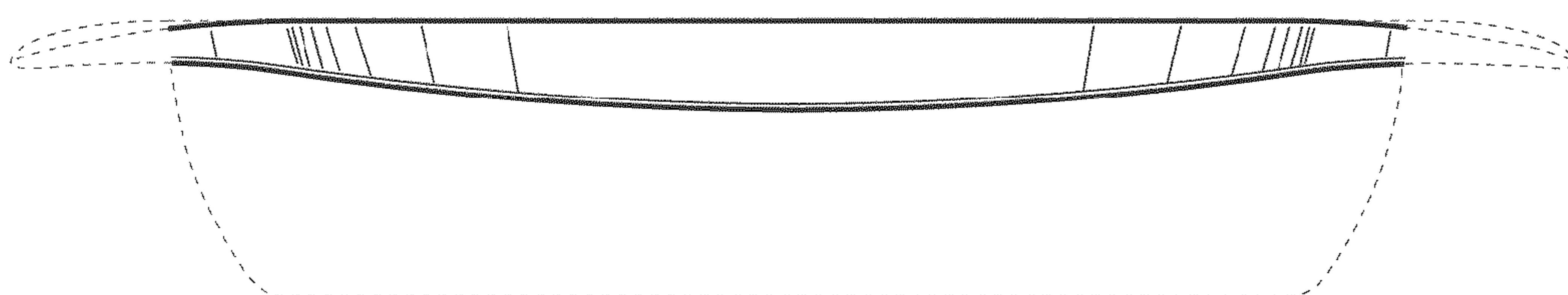
**Fig. 29**



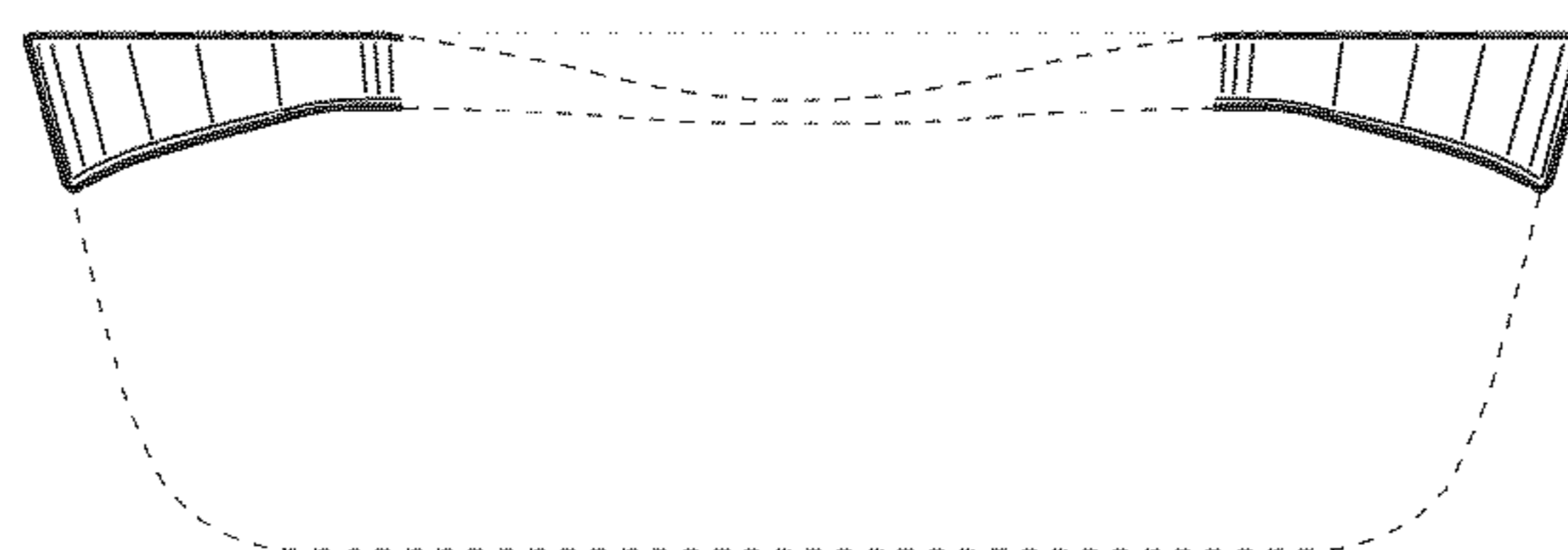
**Fig. 30**



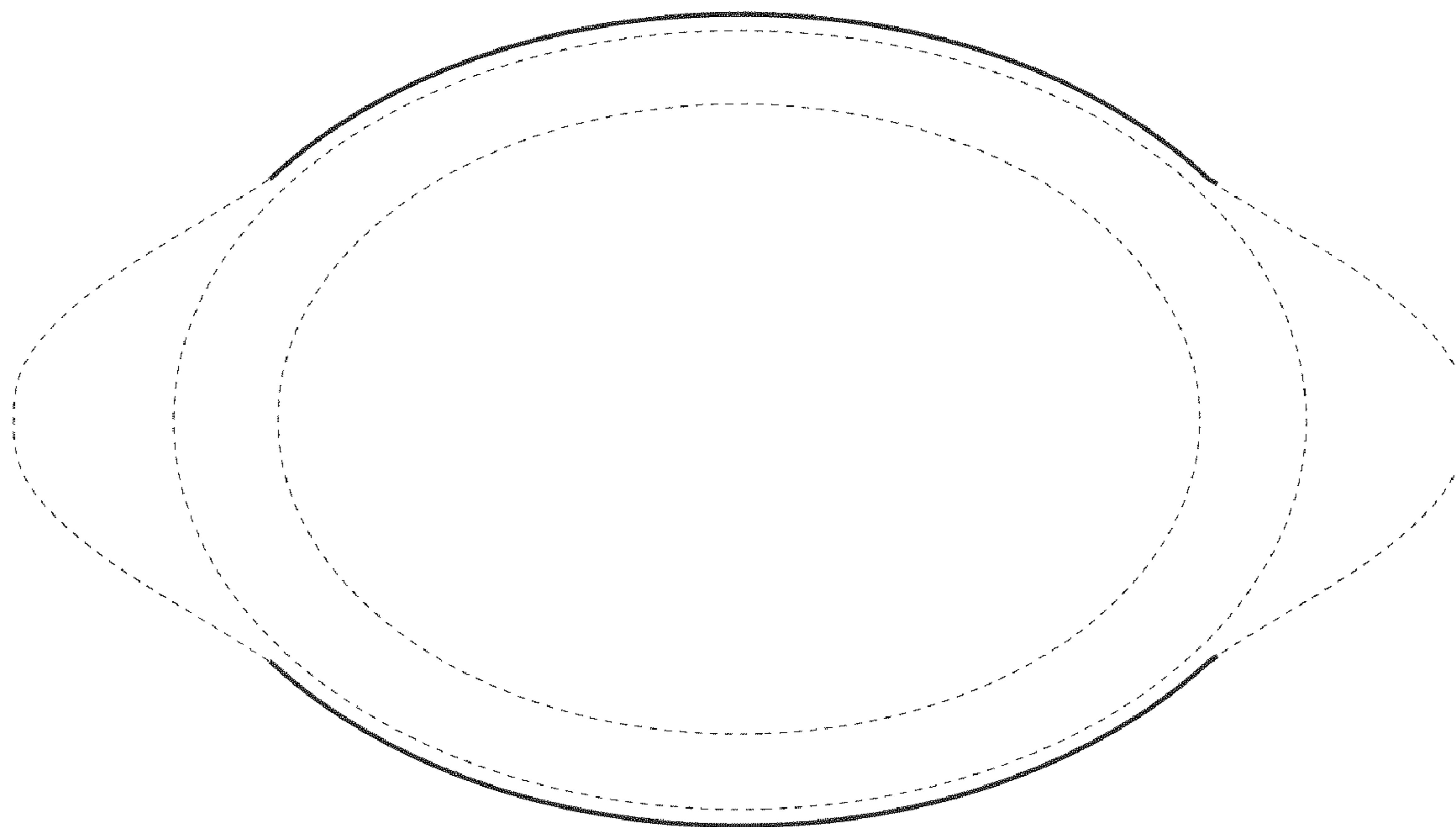
**Fig. 31**



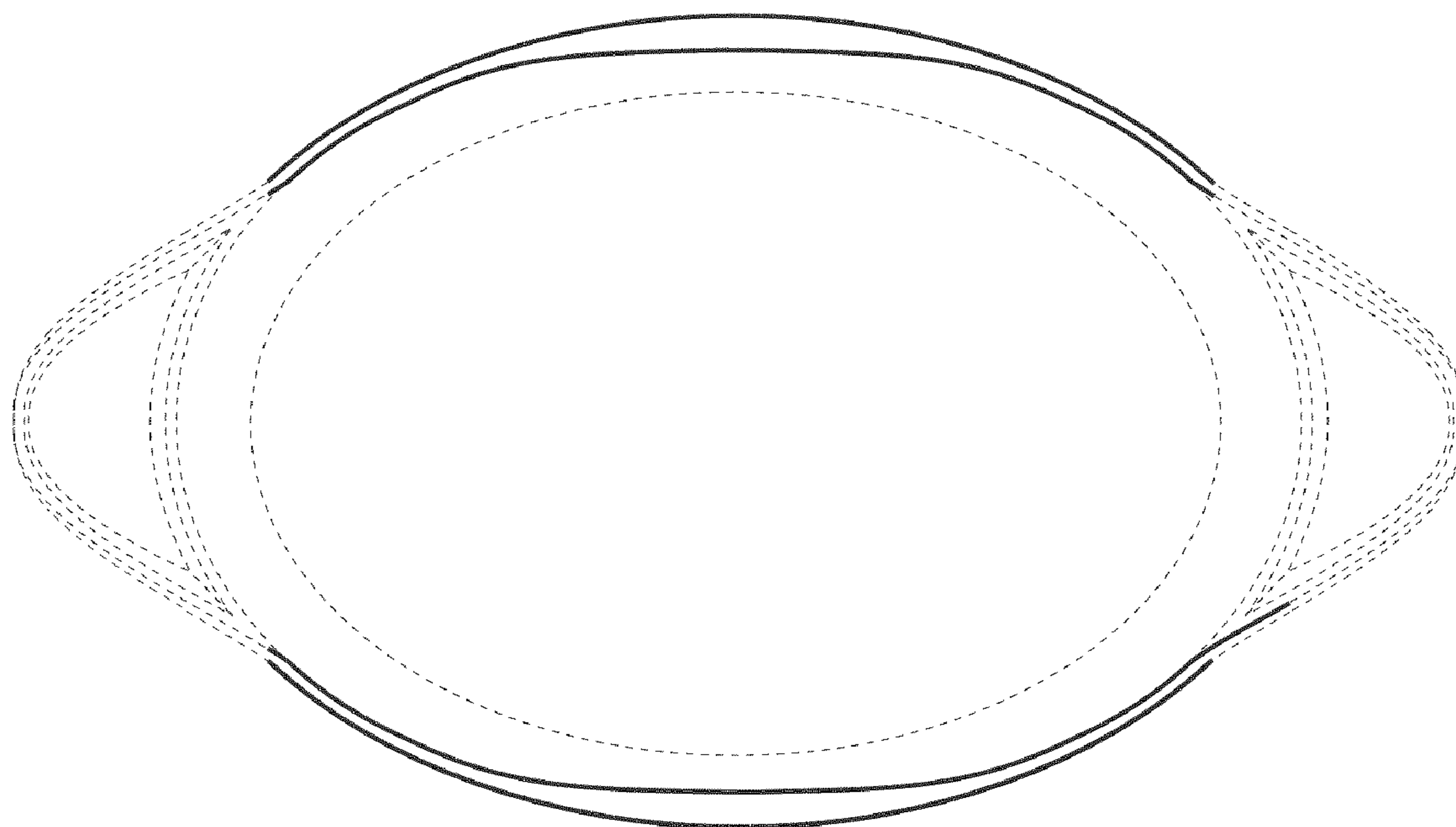
**Fig. 32**



**Fig. 33**

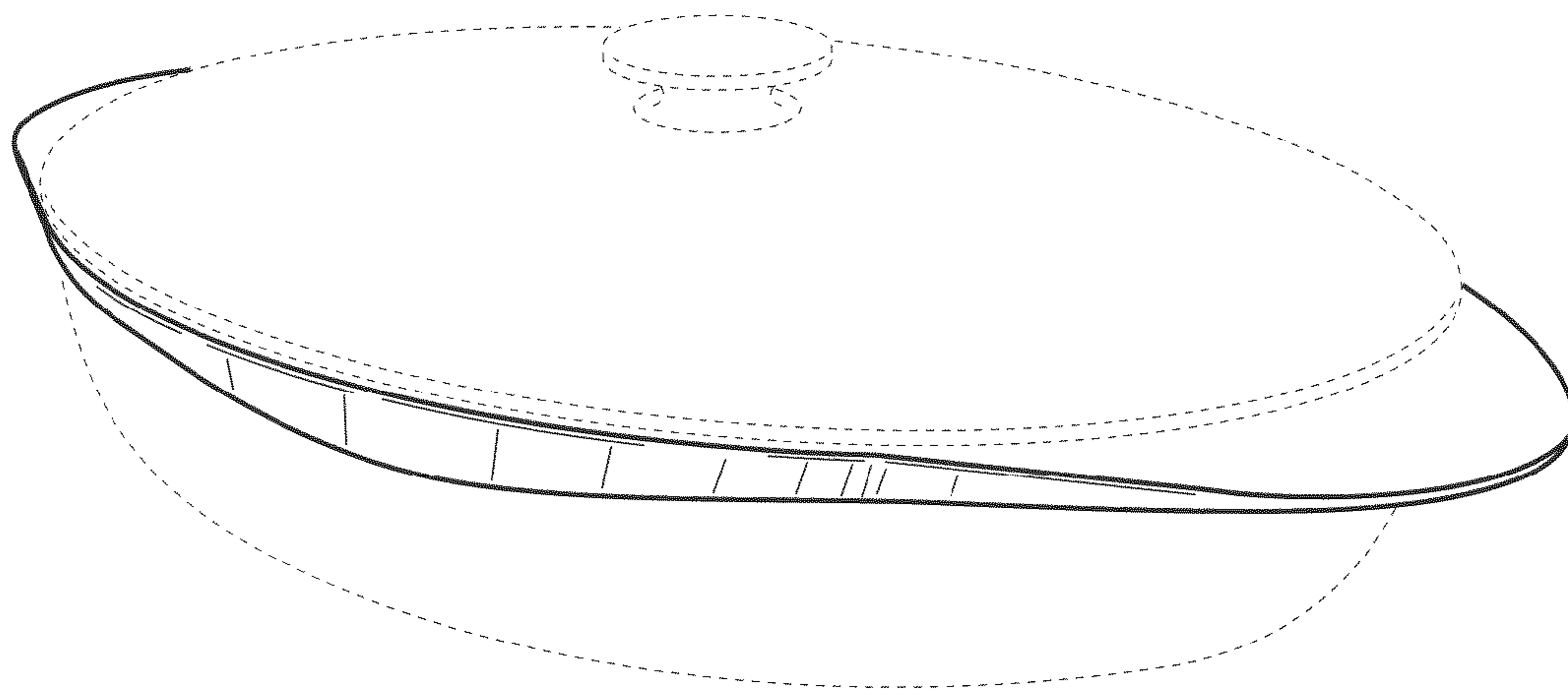


**Fig. 34**

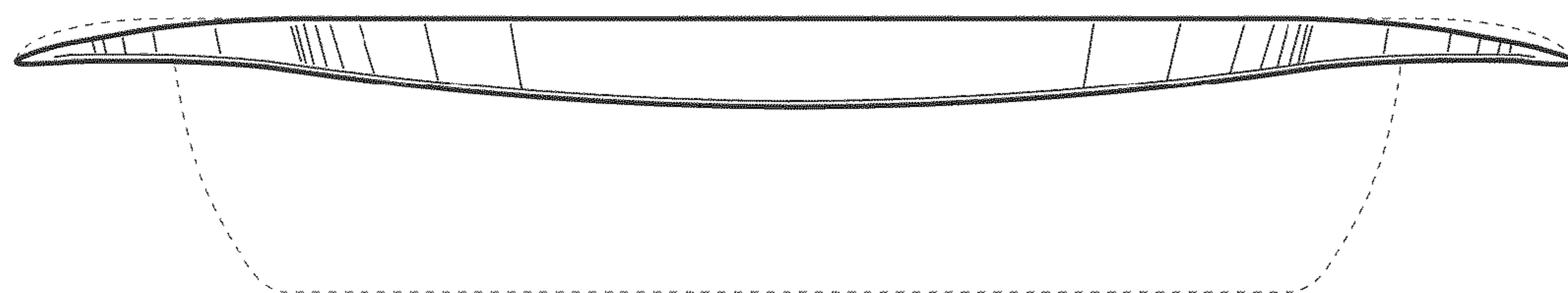


**Fig. 35**

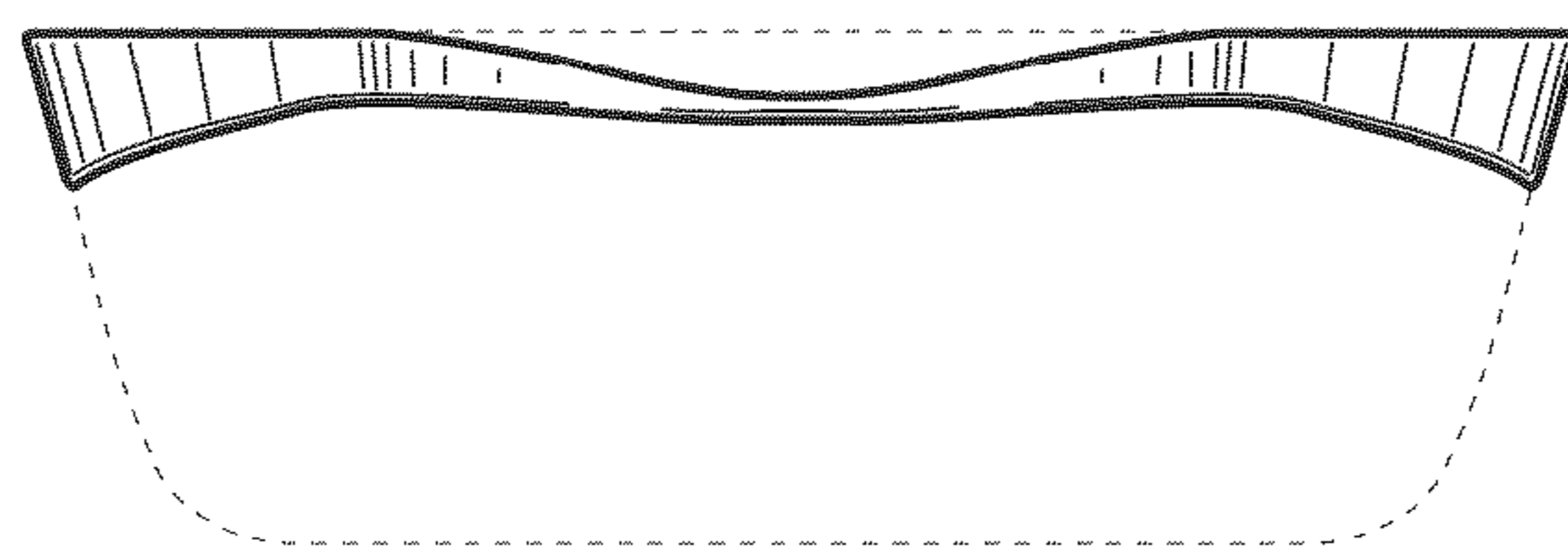




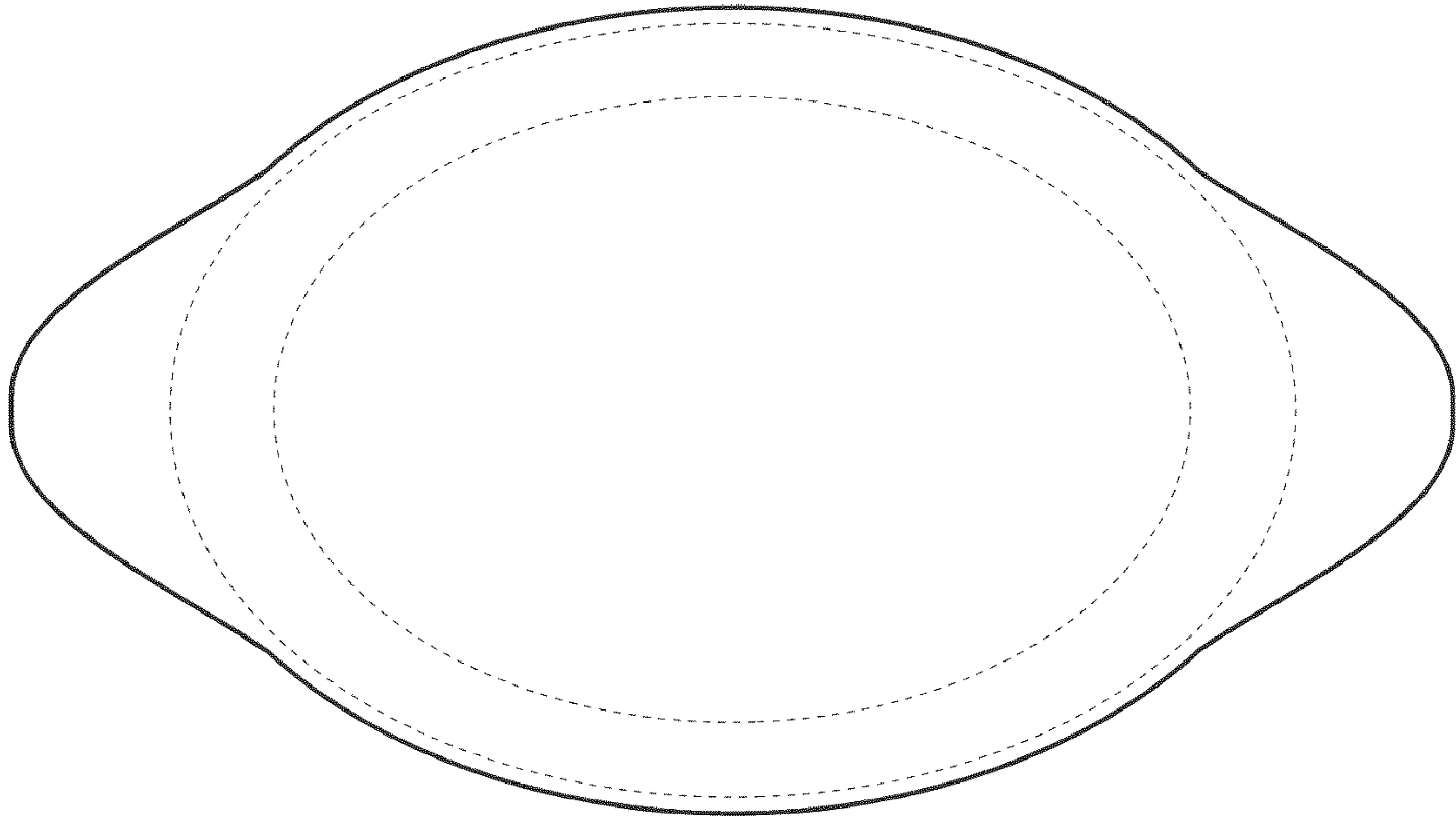
**Fig. 36**



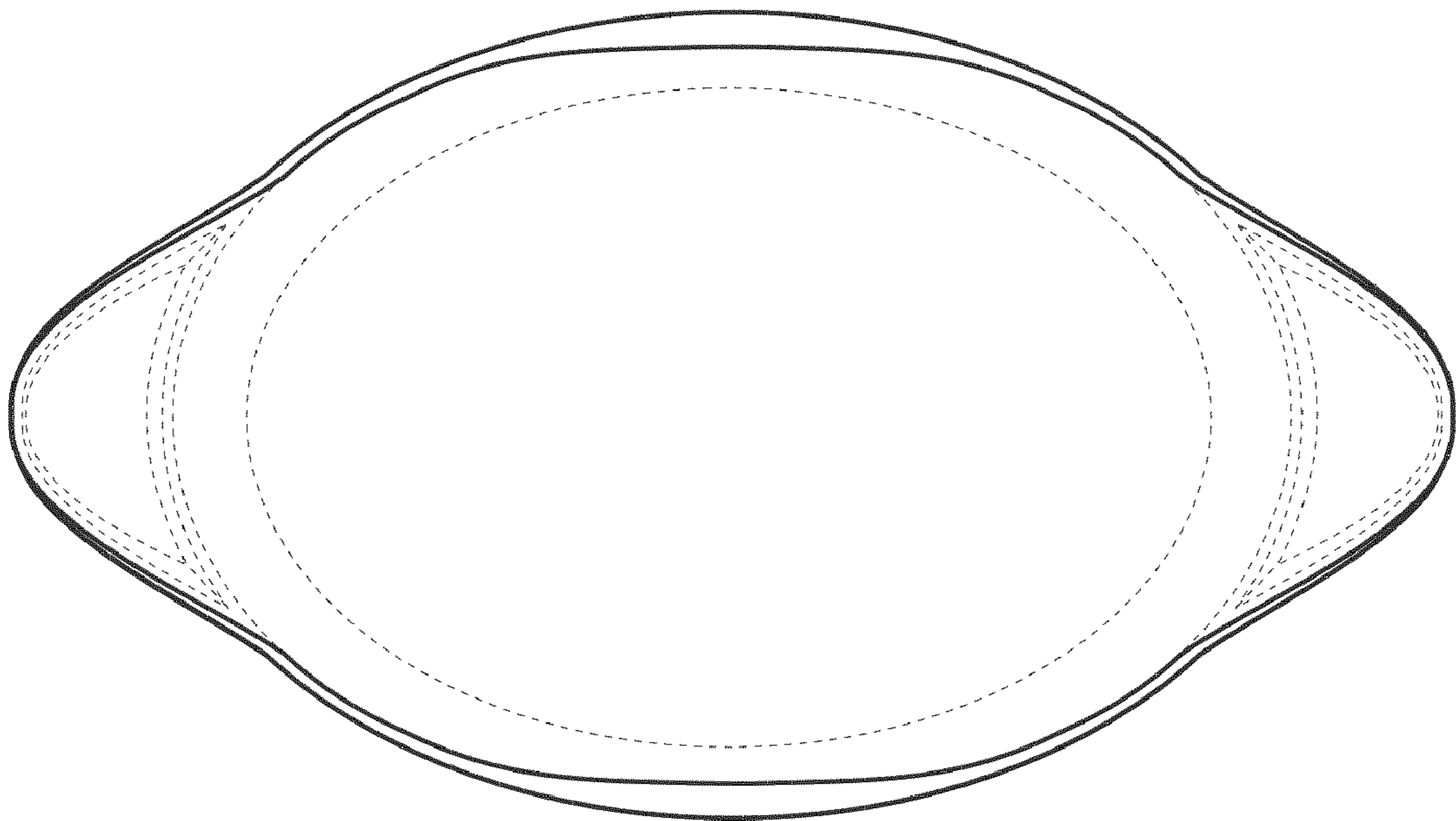
**Fig. 37**



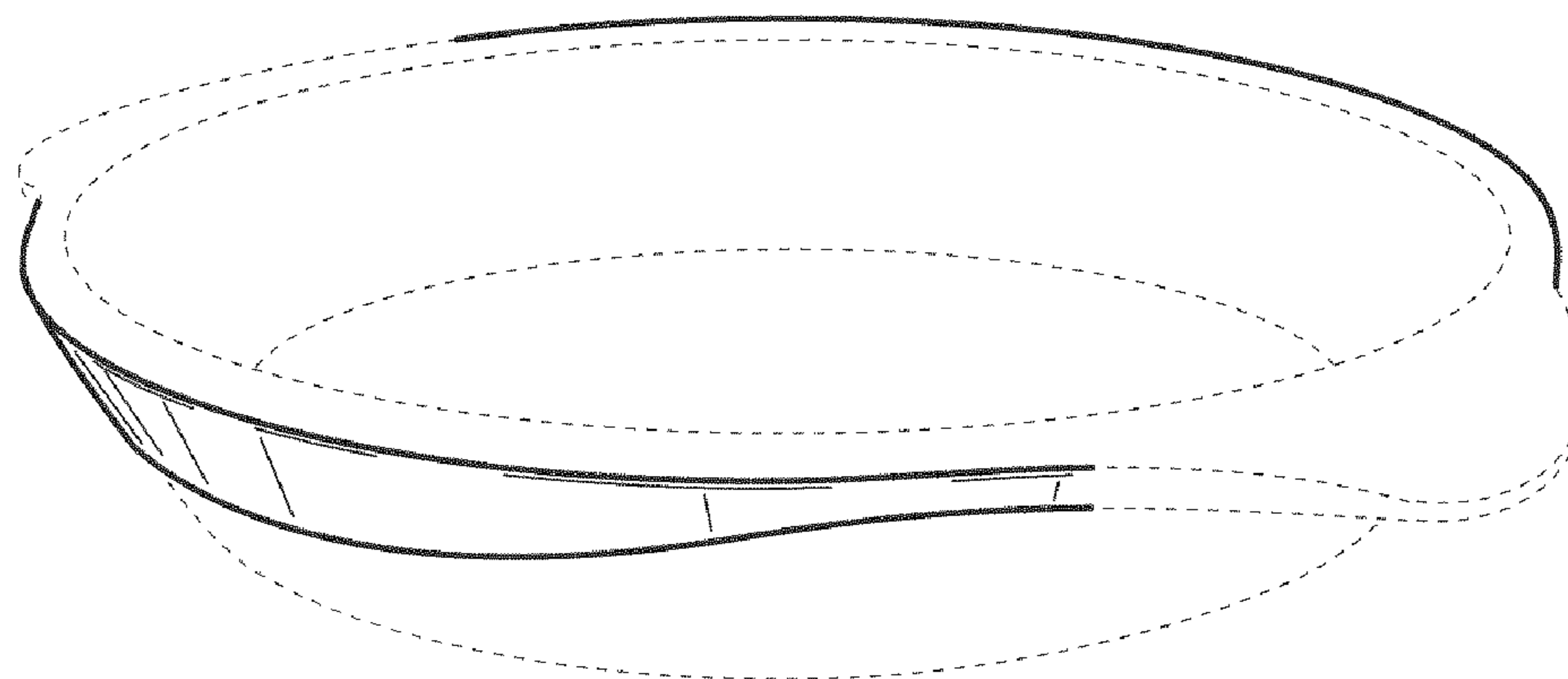
**Fig. 38**



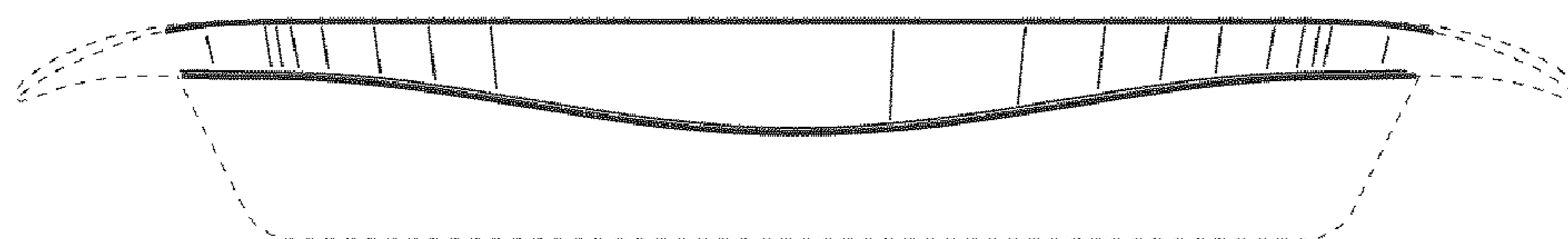
**Fig. 39**



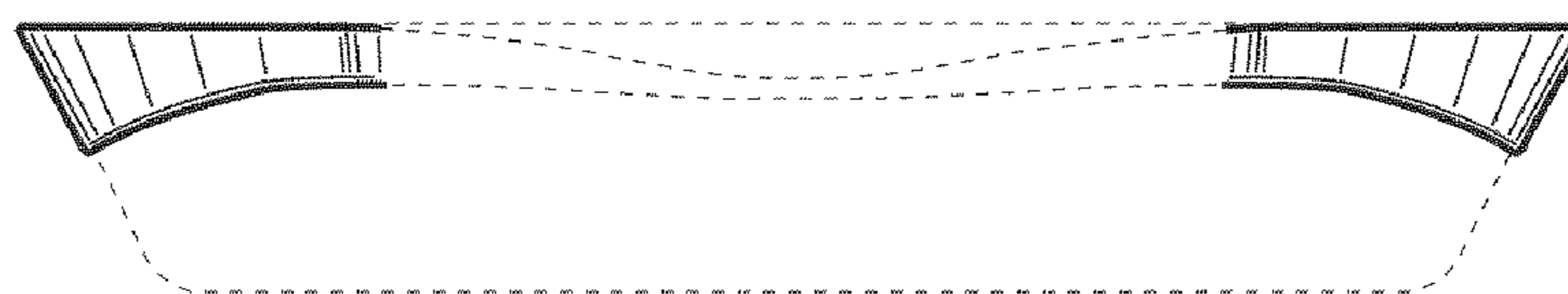
**Fig. 40**



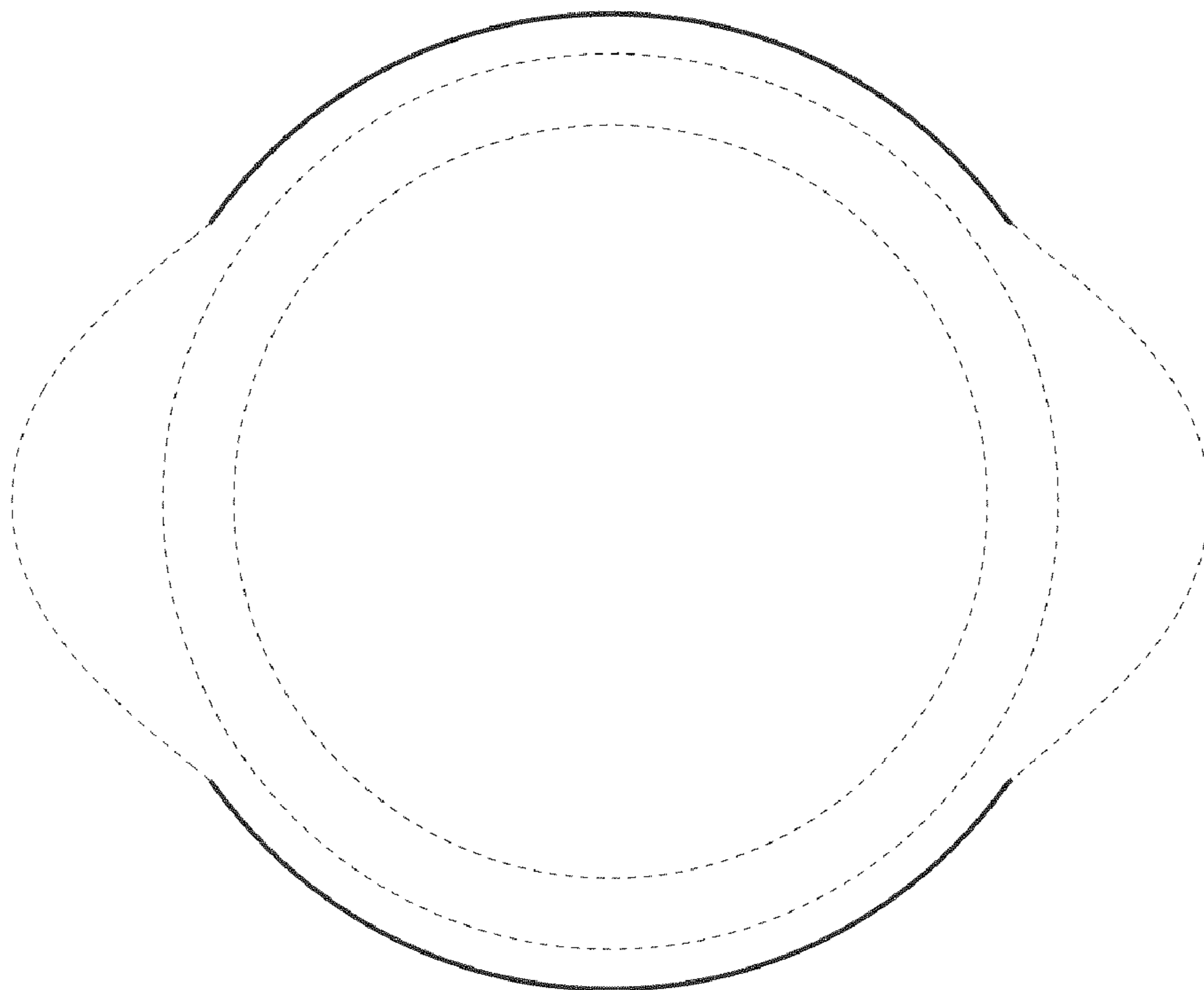
**Fig. 41**



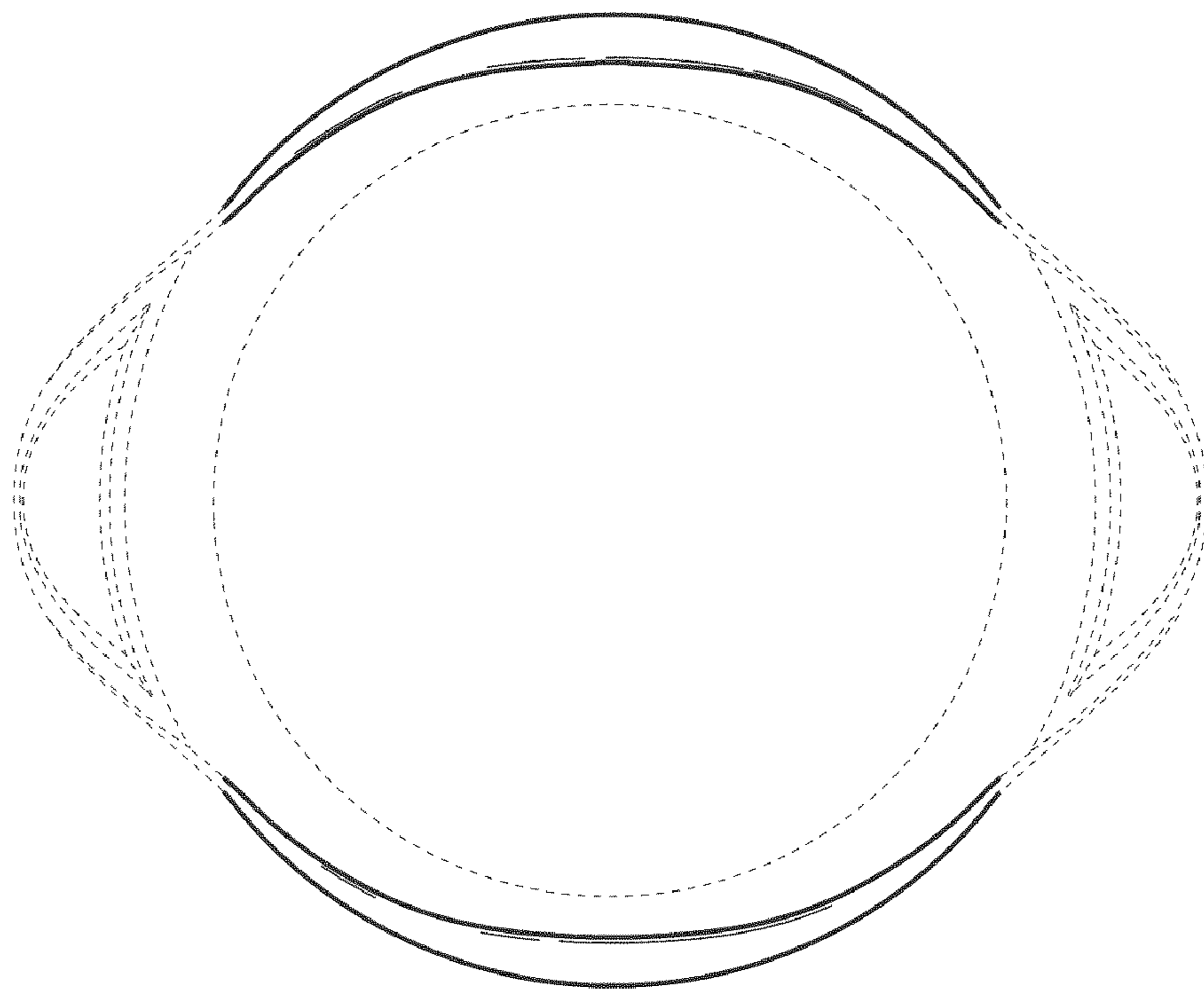
**Fig. 42**



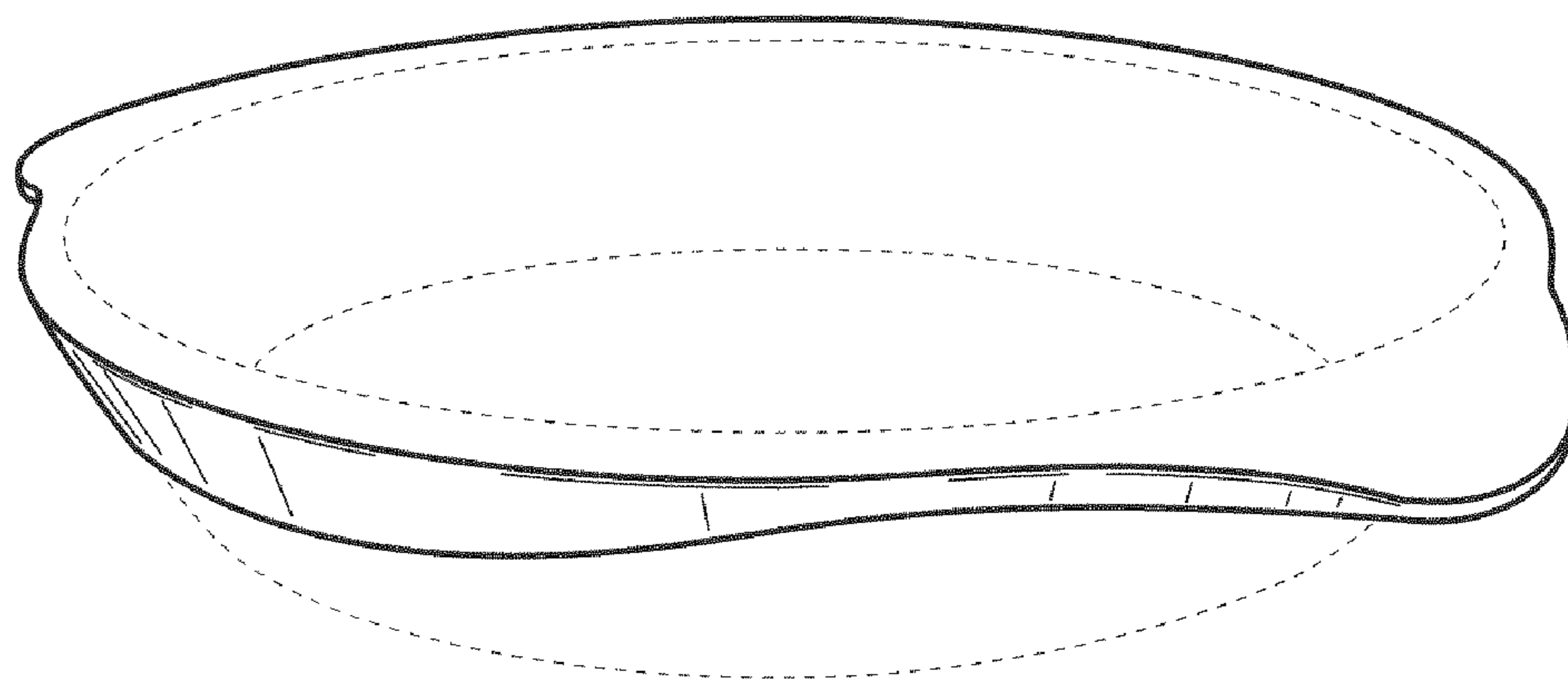
**Fig. 43**



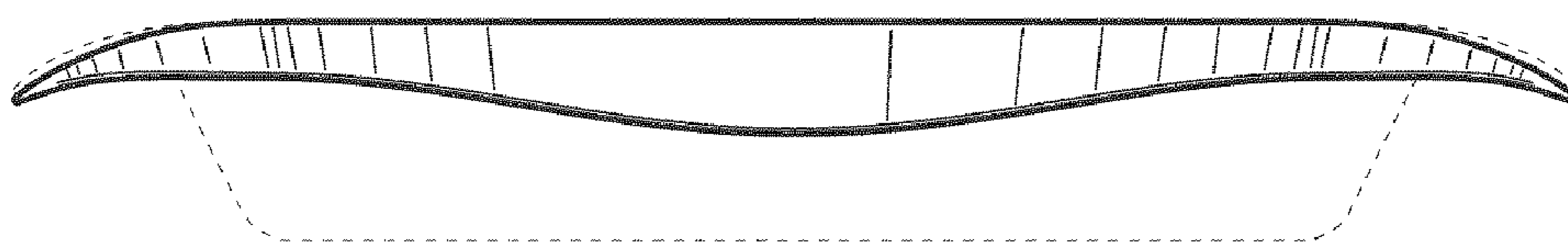
**Fig. 44**



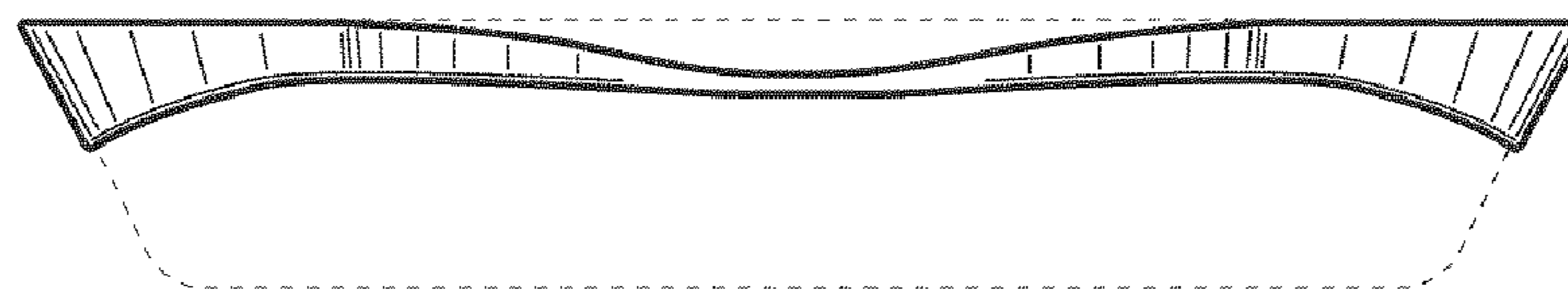
**Fig. 45**



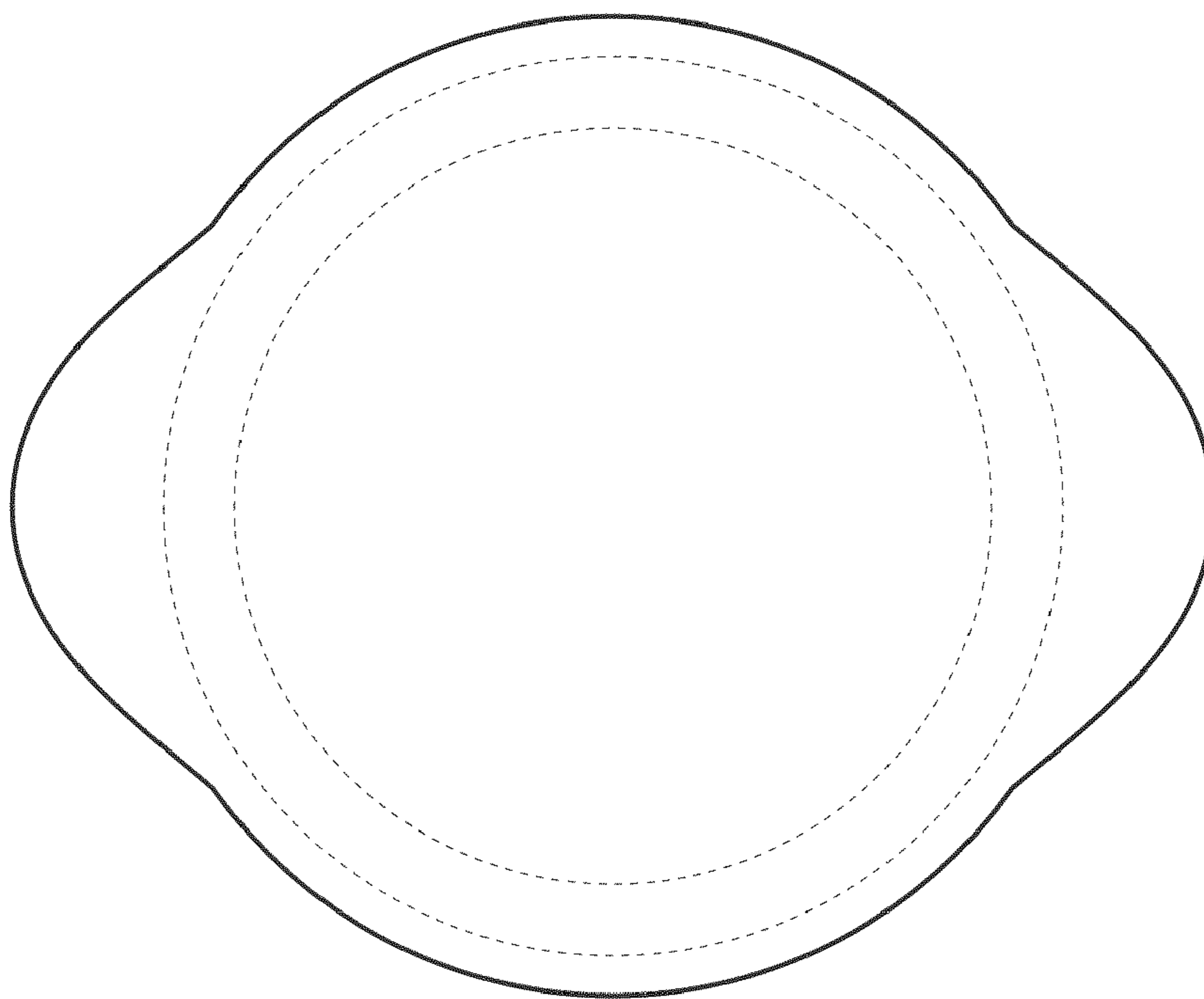
**Fig. 46**



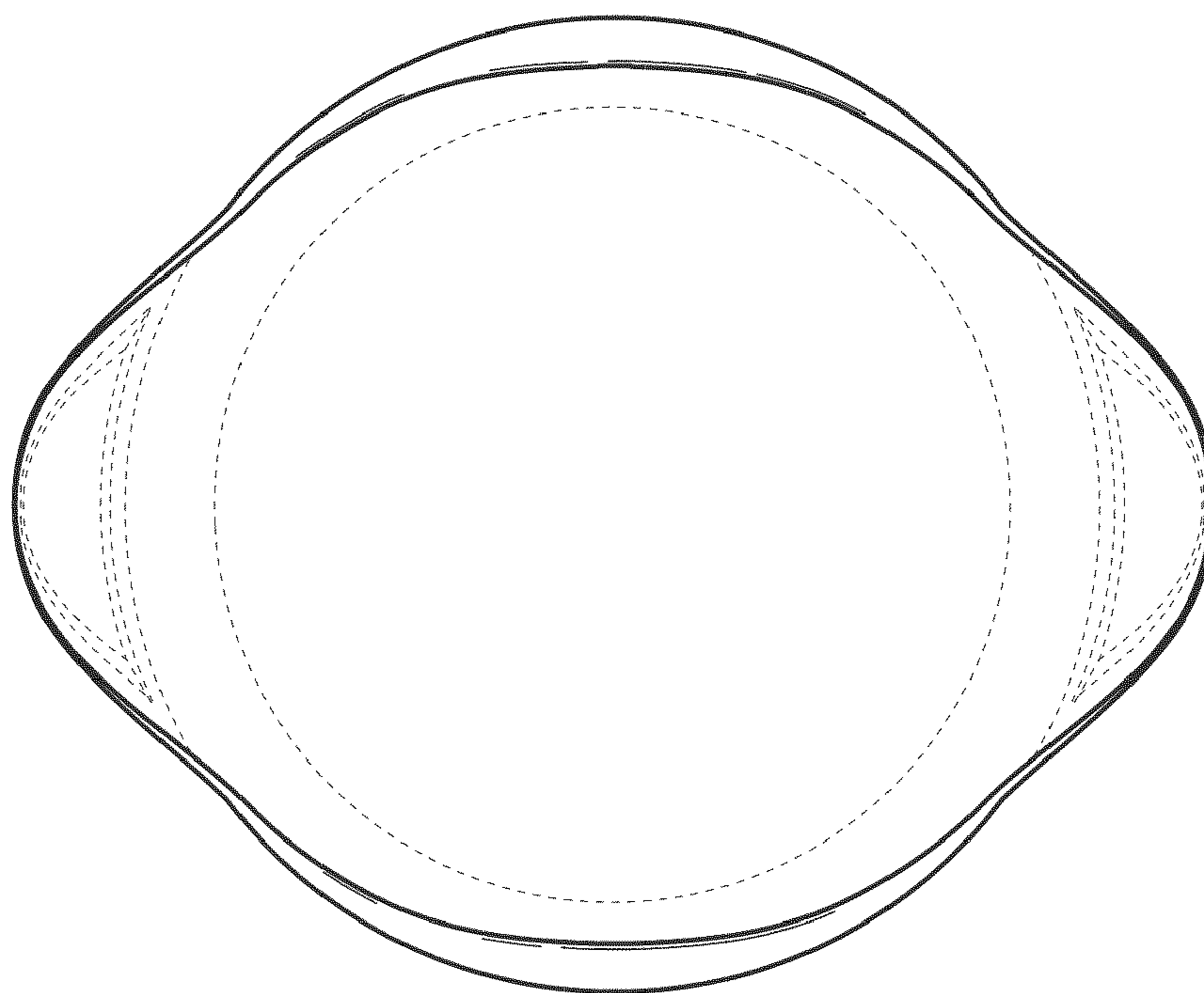
**Fig. 47**



**Fig. 48**



**Fig. 49**



**Fig. 50**

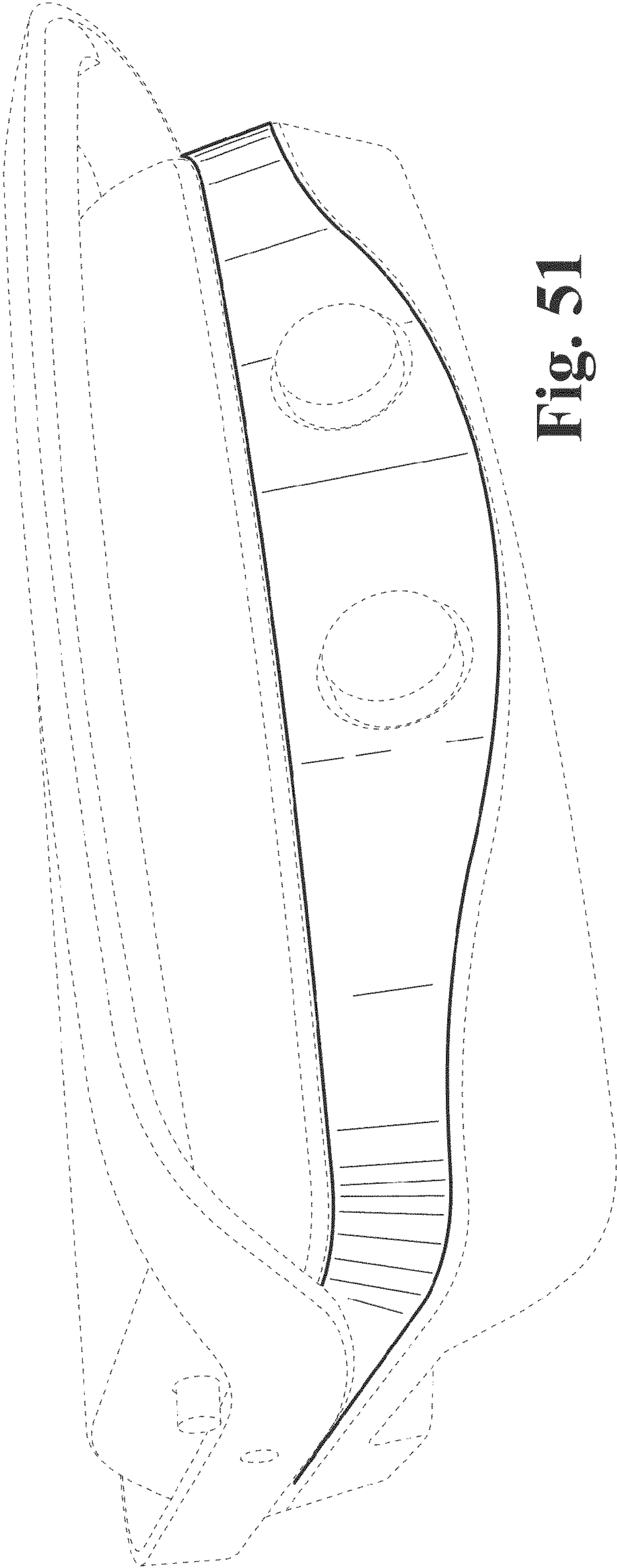


Fig. 51

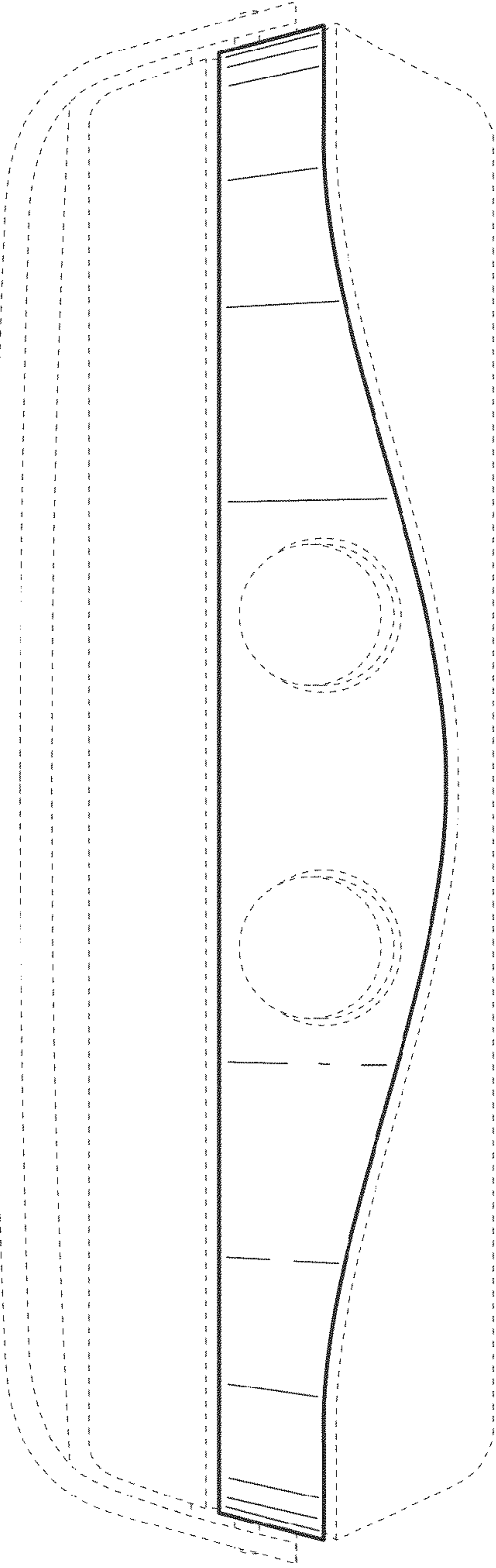


Fig. 52

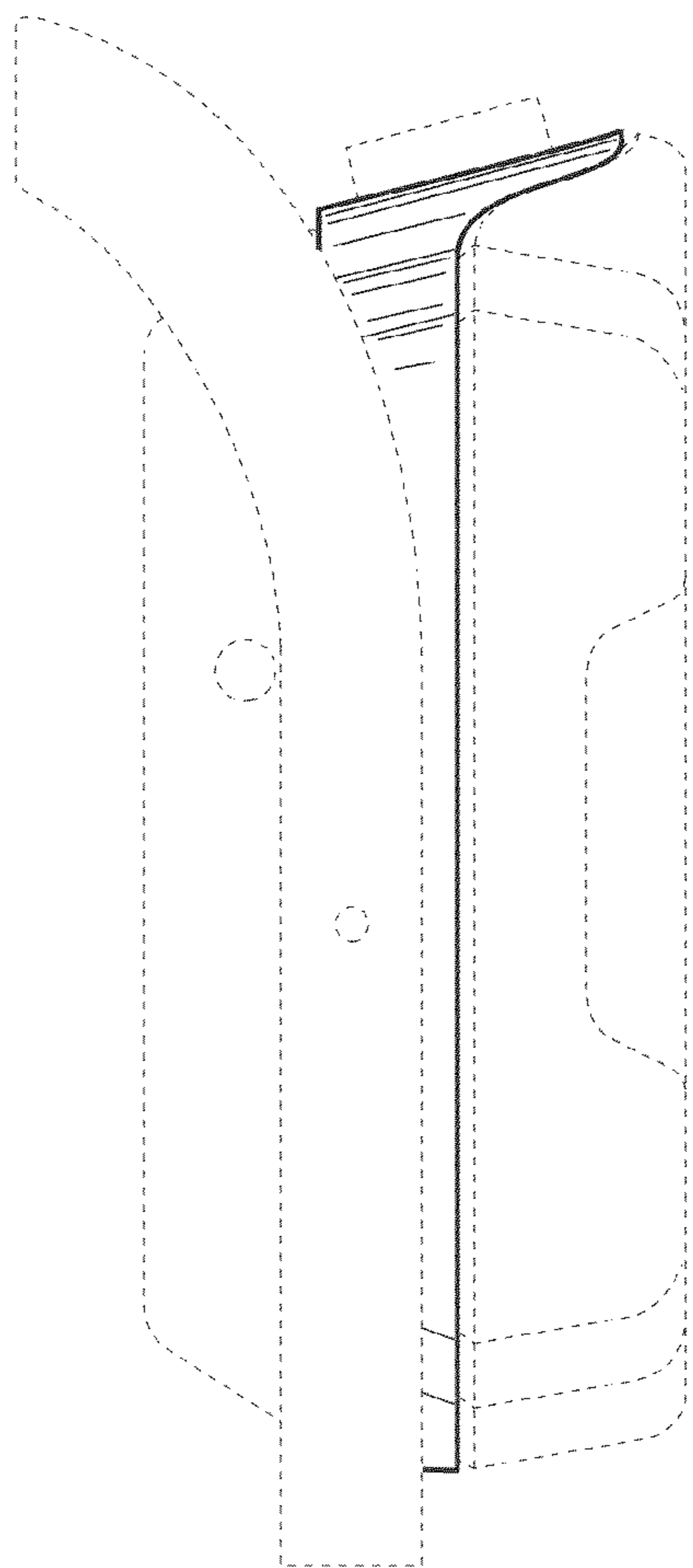


Fig. 53

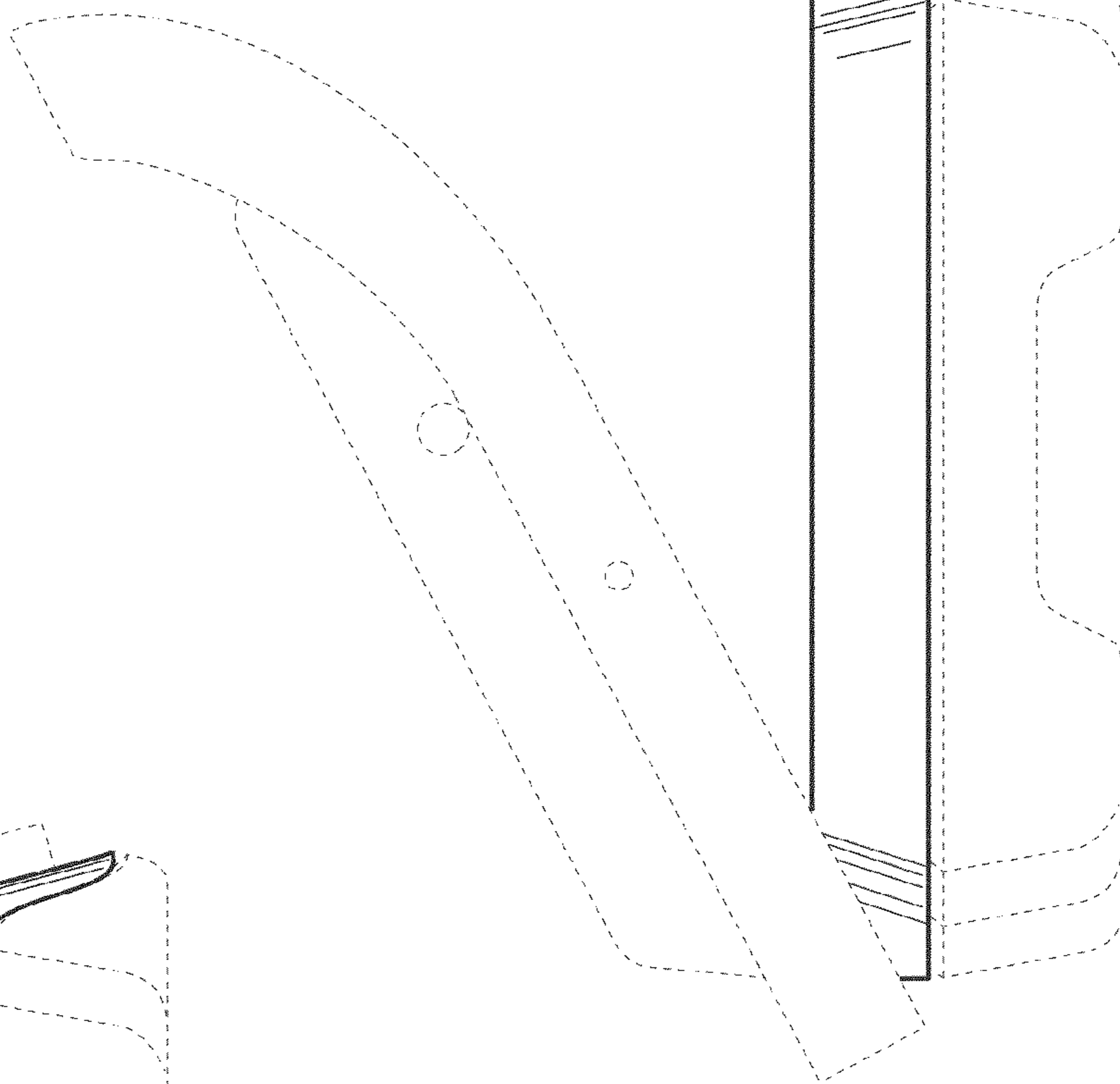
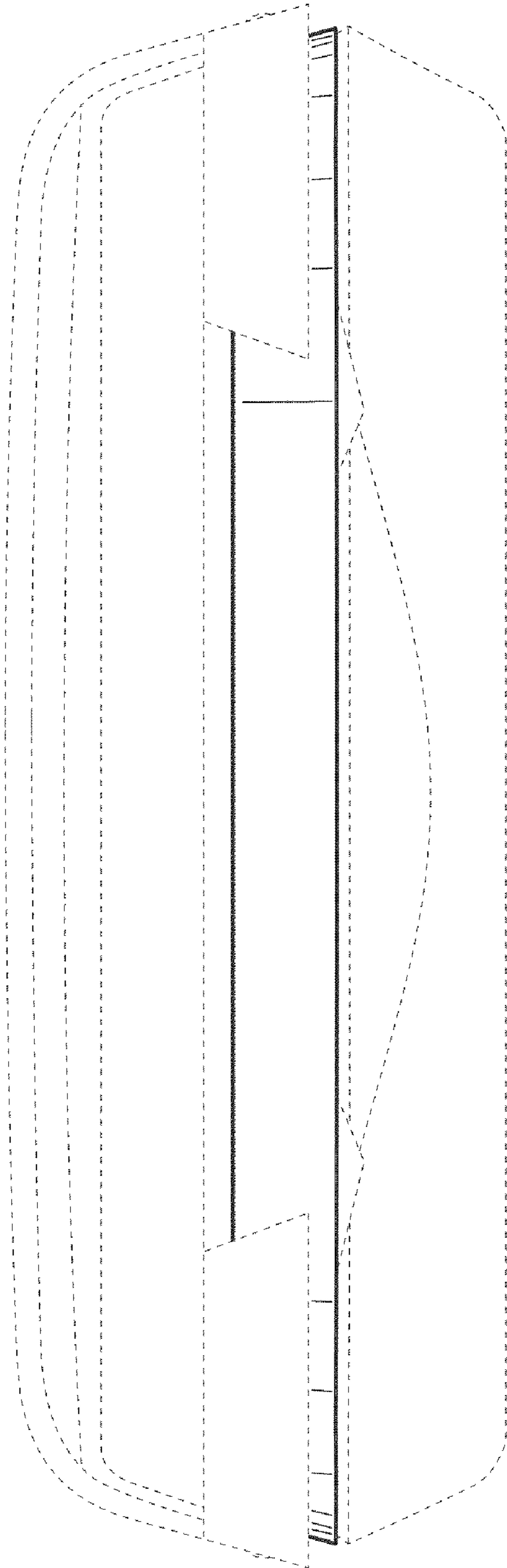


Fig. 54





**Fig. 55**

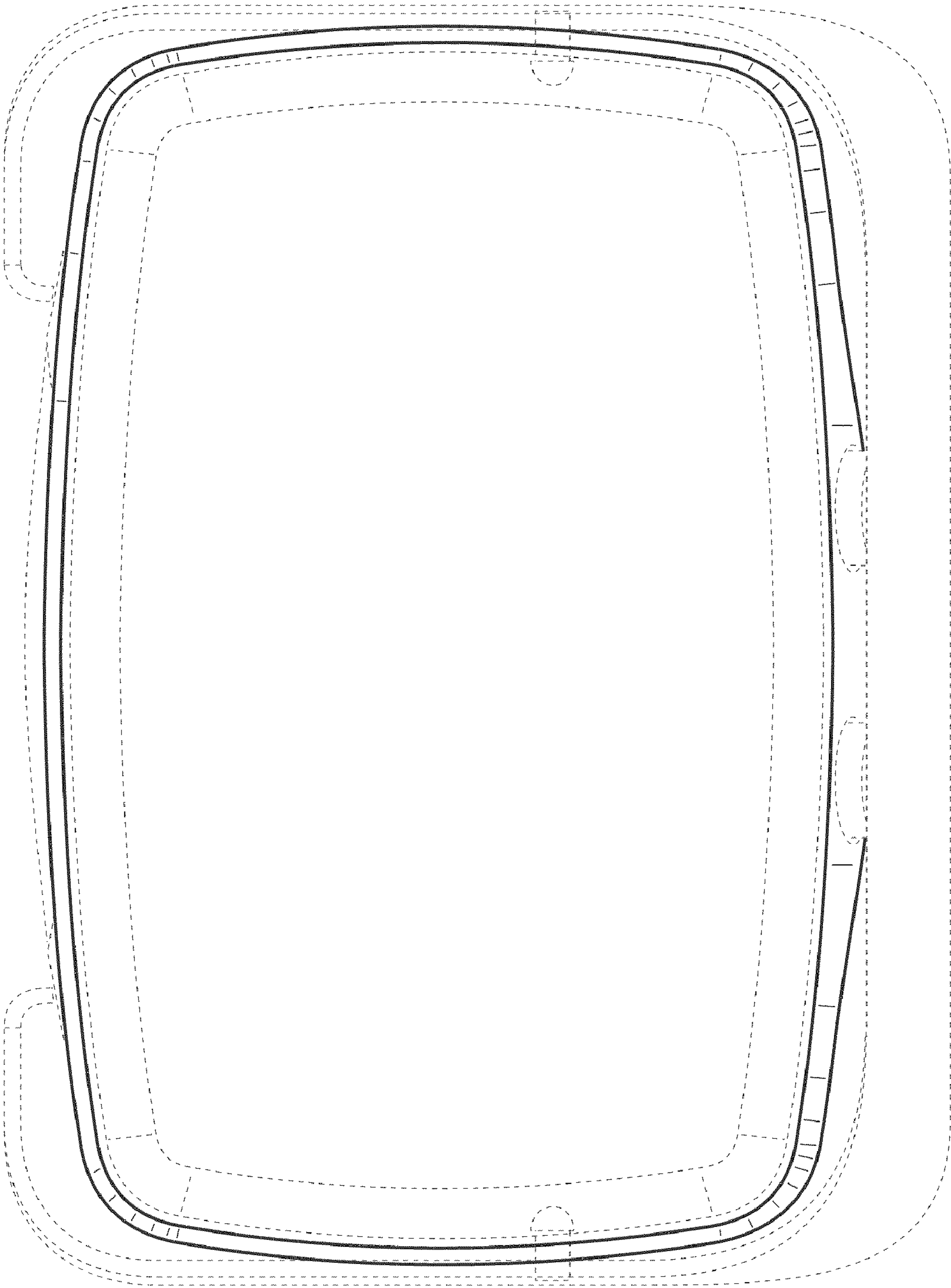


Fig. 56