



US00D592442S

(12) **United States Design Patent**
Rutter et al.

(10) **Patent No.:** **US D592,442 S**

(45) **Date of Patent:** **** May 19, 2009**

(54) **BARBEQUE GRILL**

(75) Inventors: **Bryce G. Rutter**, St. Louis, MO (US);
Melvin J. Leedle, St. Louis, MO (US);
Jeff Feng, Chesterfield, MO (US); **Jon S. Walters**, St. Louis, MO (US);
Carolyn A. Richards, St. Louis, MO (US); **Jonathan Sundy**, St. Louis, MO (US)

(73) Assignee: **Phase 2, LLC**, St. Louis, MO (US)

(**) Term: **14 Years**

(21) Appl. No.: **29/301,422**

(22) Filed: **Feb. 28, 2008**

(51) **LOC (9) Cl.** **07-02**

(52) **U.S. Cl.** **D7/334**

(58) **Field of Classification Search** D3/332-337,
D3/402-405, 352; 99/444-445, 448, 481-482;
D23/343, 401; 126/519, 25 R, 25 A, 25 AA,
126/41 R, 29, 30, 9 R, 38, 37 R, 40, 50
See application file for complete search history.

(56) **References Cited**

U.S. PATENT DOCUMENTS

4,467,709 A * 8/1984 Anstedt 99/482
5,222,475 A * 6/1993 Greener 126/41 R
D374,371 S * 10/1996 Hall McDonald D7/332
6,016,797 A * 1/2000 Nowicke, Jr. 126/25 R

D420,243 S * 2/2000 Samaras D7/332
D457,775 S * 5/2002 Peloquin D7/332
D463,196 S * 9/2002 Hsu D7/332
D463,948 S * 10/2002 Innes D7/332
D486,348 S * 2/2004 Zhu D7/332
D548,513 S * 8/2007 Huang D7/332
D550,022 S * 9/2007 Amajuwon et al. D7/332
D574,177 S * 8/2008 Hulsey D7/335

* cited by examiner

Primary Examiner—Ruth McInroy

(74) *Attorney, Agent, or Firm*—Harness, Dickey & Pierce, P.L.C.

(57) **CLAIM**

We claim the ornamental design for a barbeque grill, as shown and described.

DESCRIPTION

FIG. 1 is a right isometric view of a barbeque grill showing our new design;

FIG. 2 is a front view thereof;

FIG. 3 is a rear view thereof;

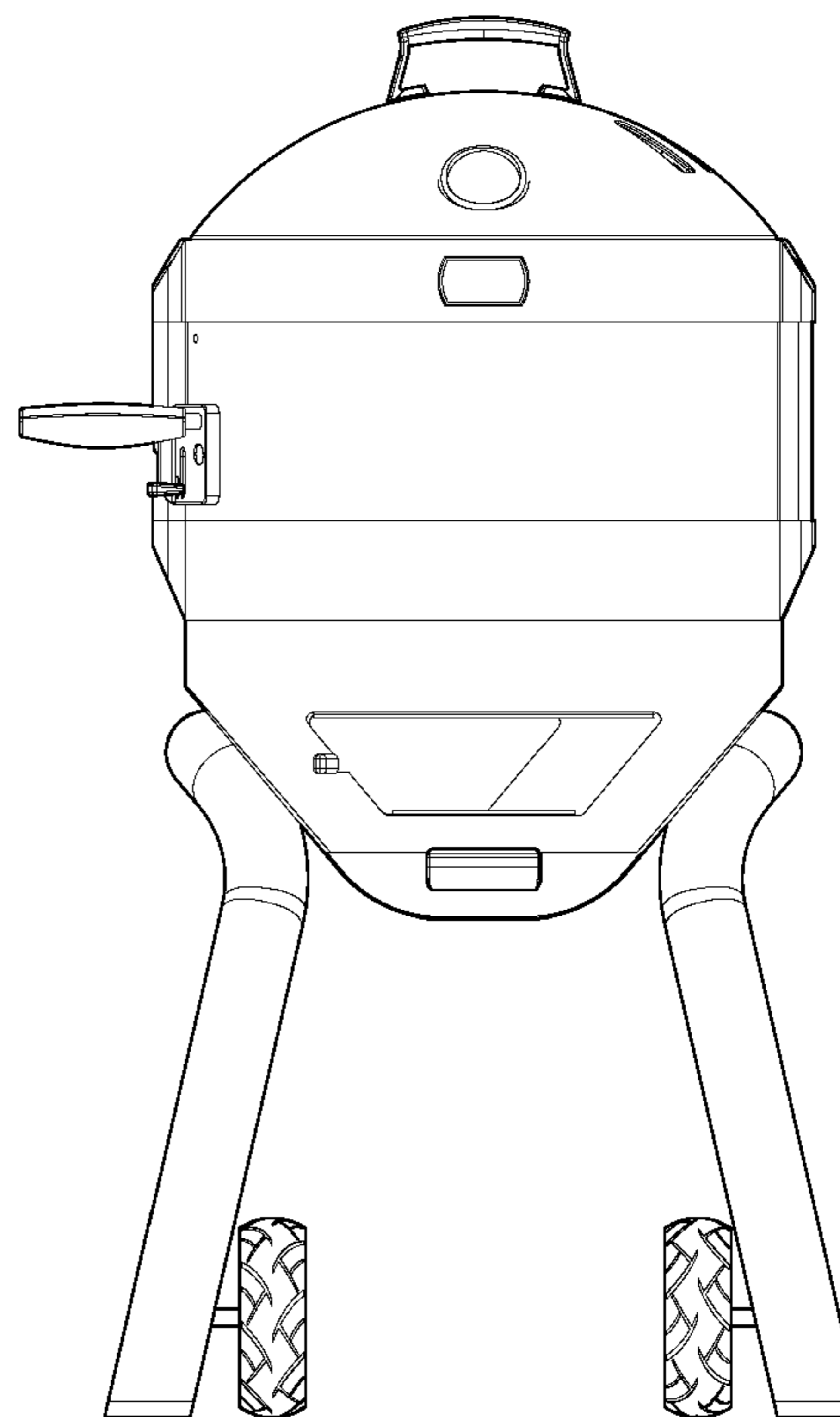
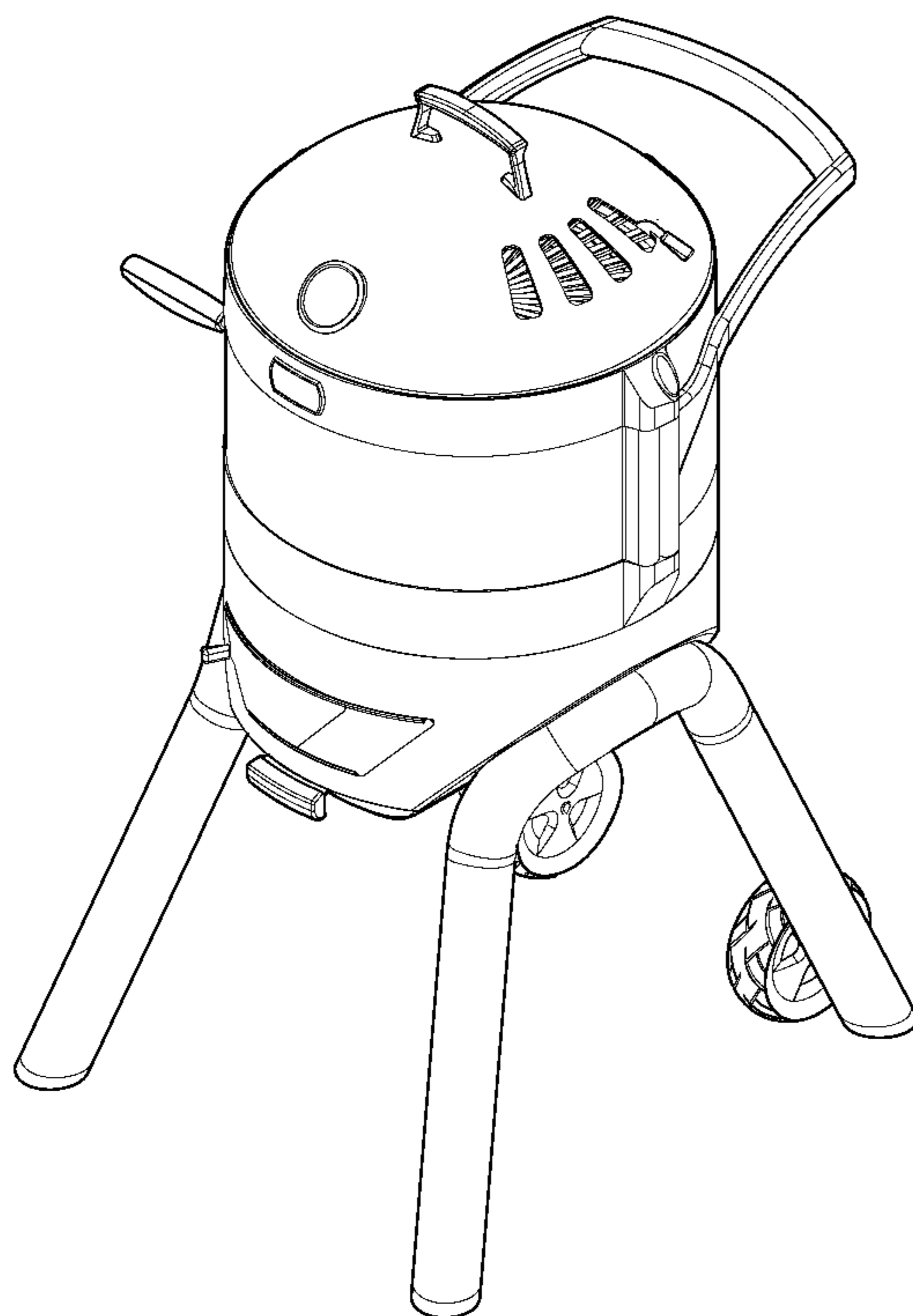
FIG. 4 is a right side view thereof;

FIG. 5 is a left side view thereof;

FIG. 6 is a top view thereof; and,

FIG. 7 is a bottom view thereof.

1 Claim, 7 Drawing Sheets



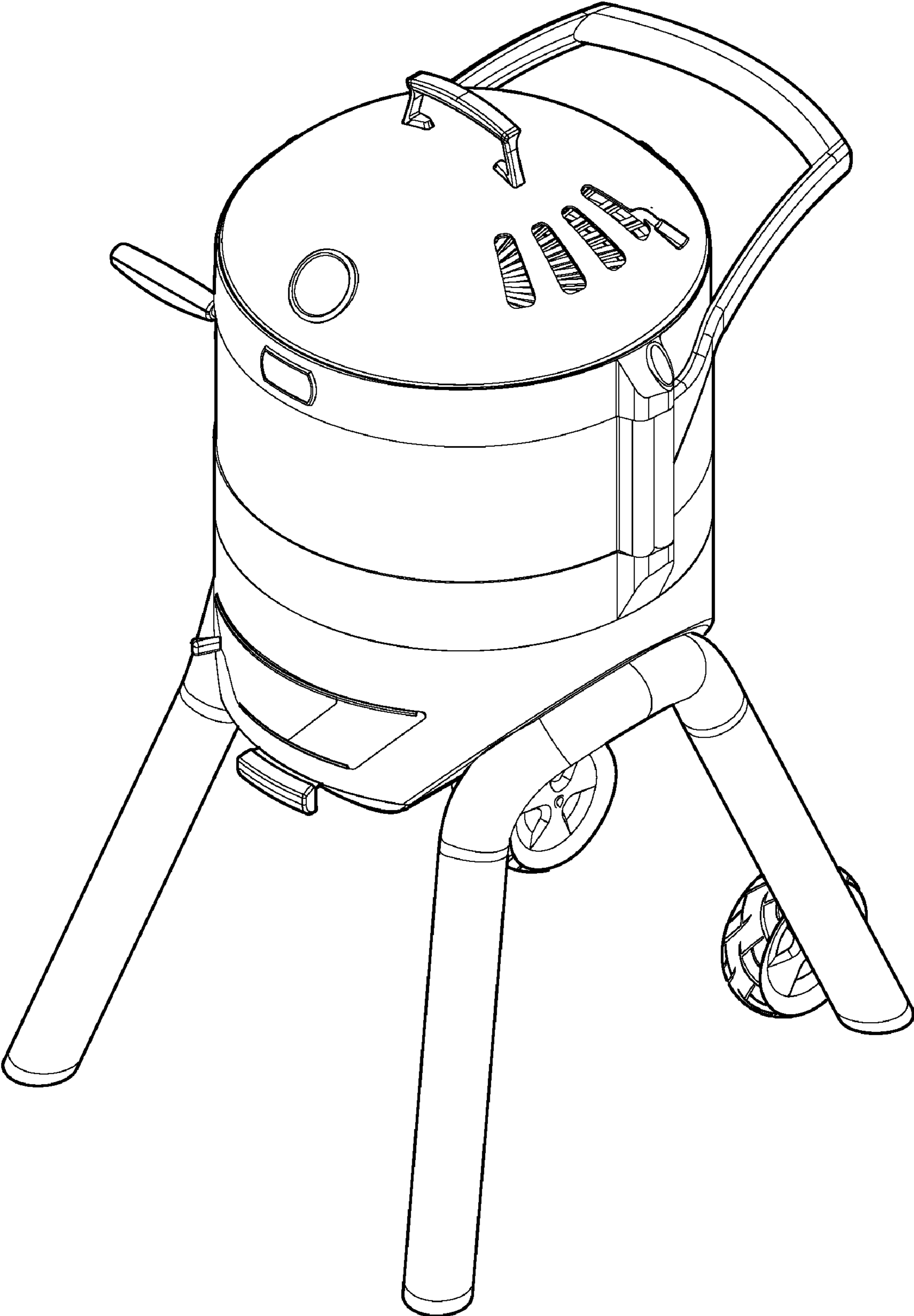


Fig. 1

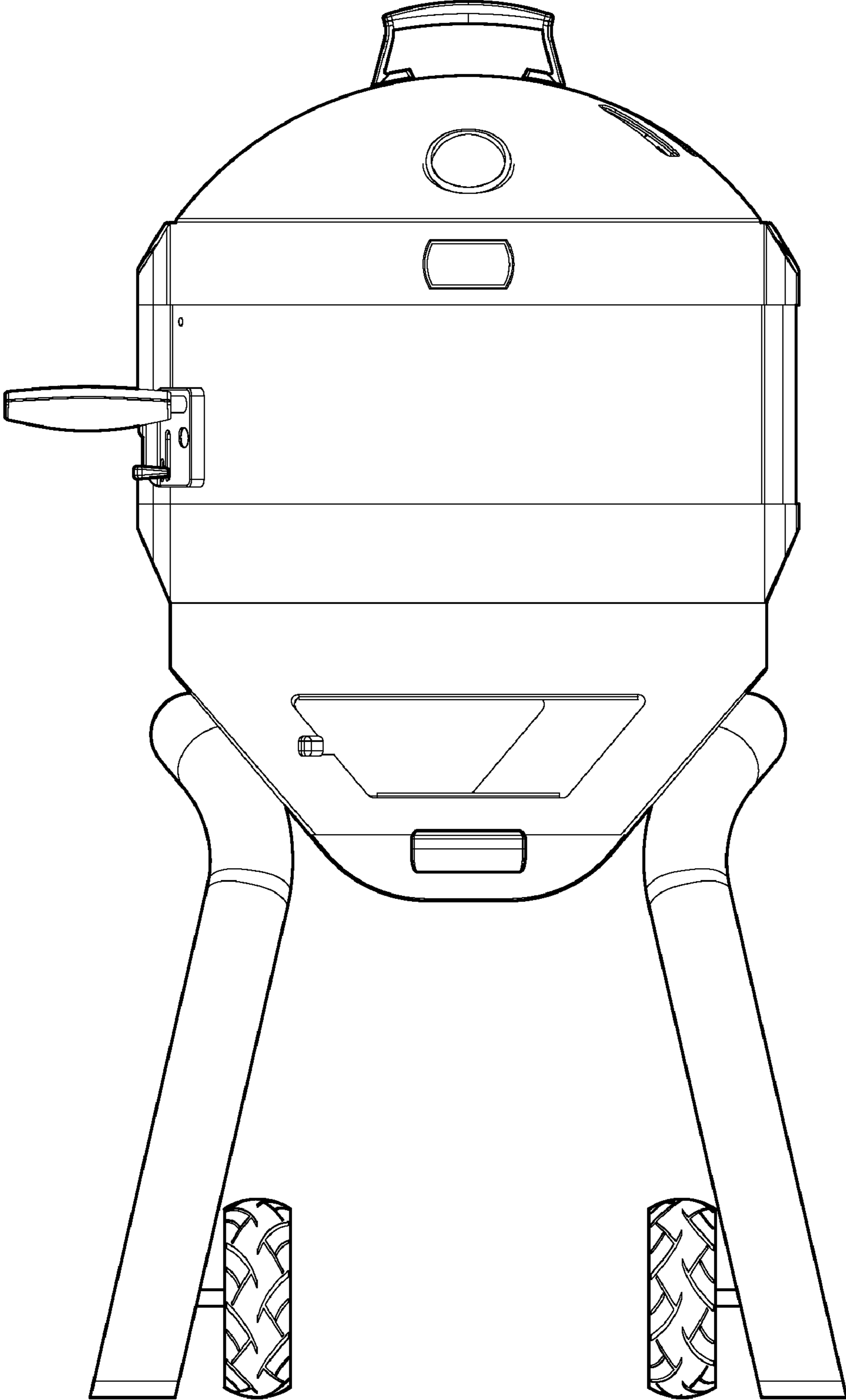


Fig. 2

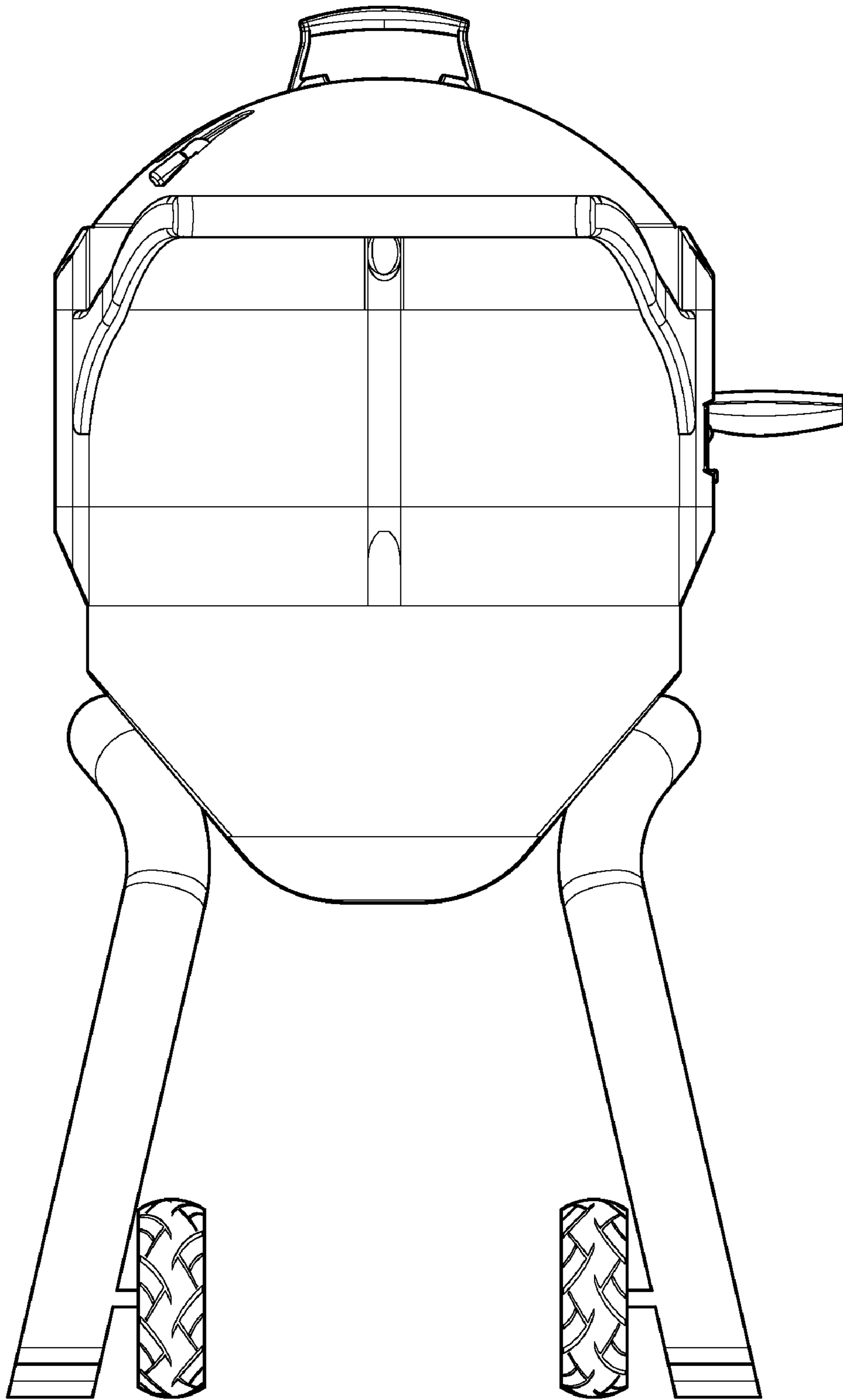


Fig. 3

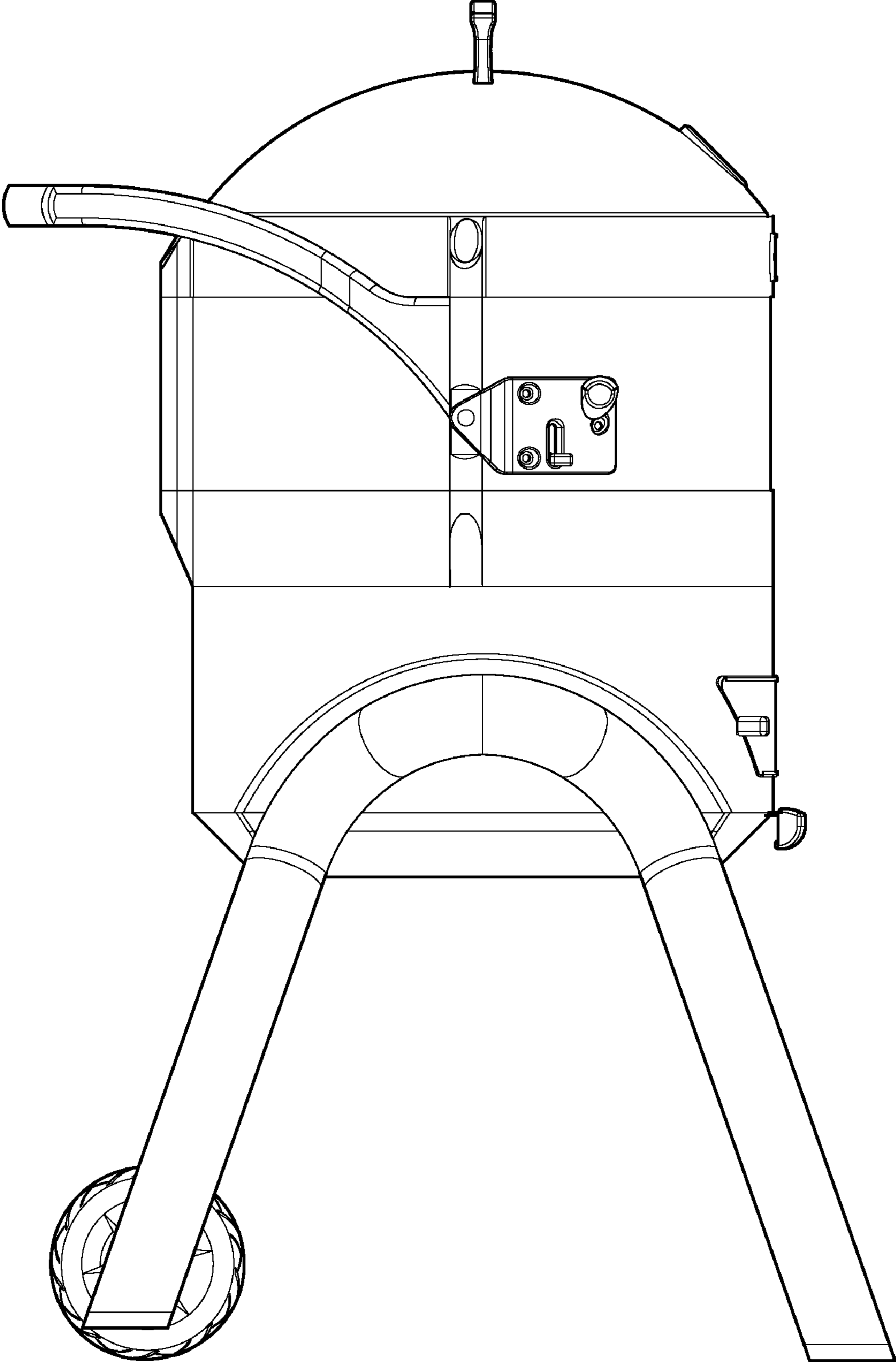


Fig. 4

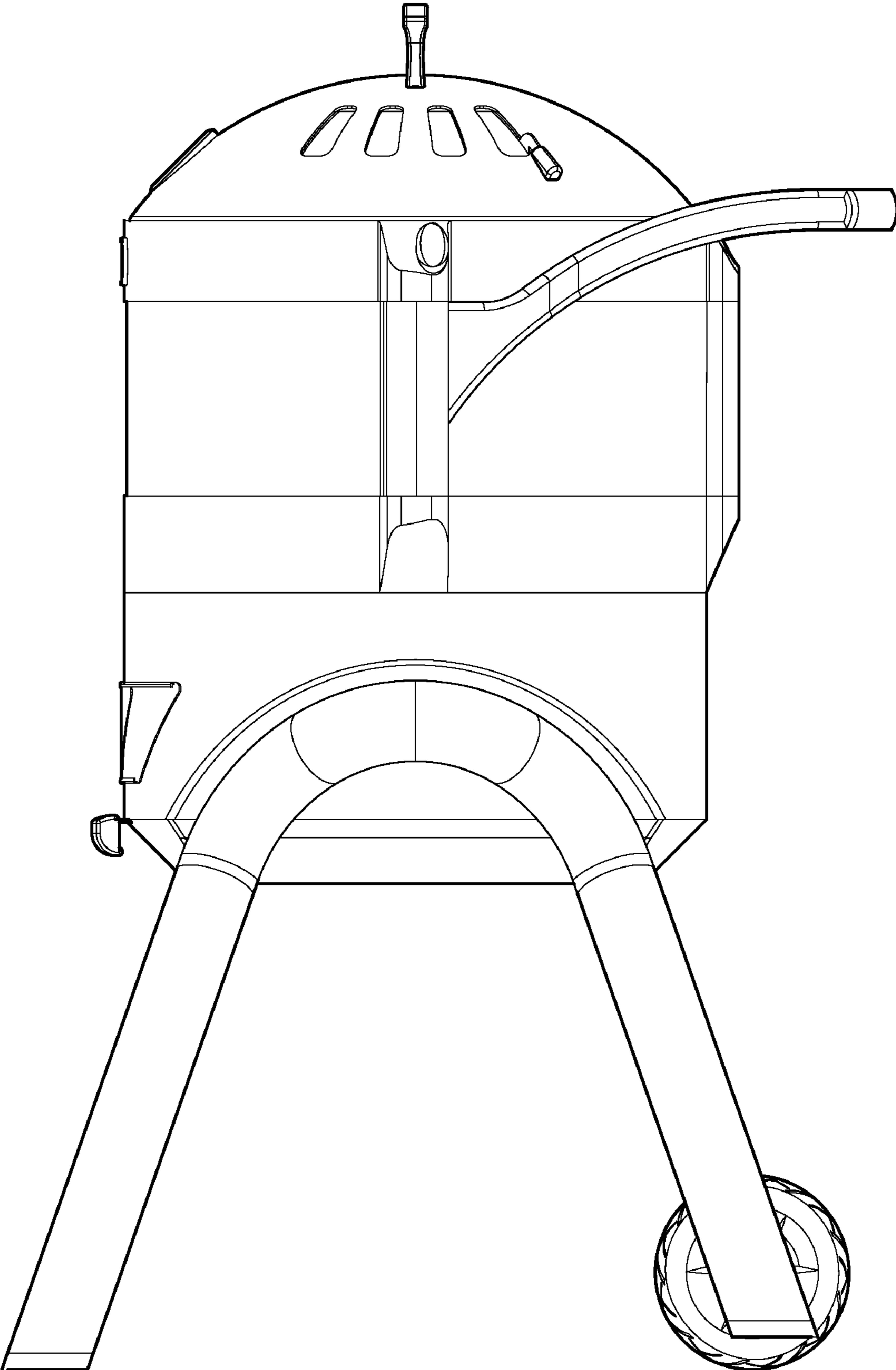


Fig. 5

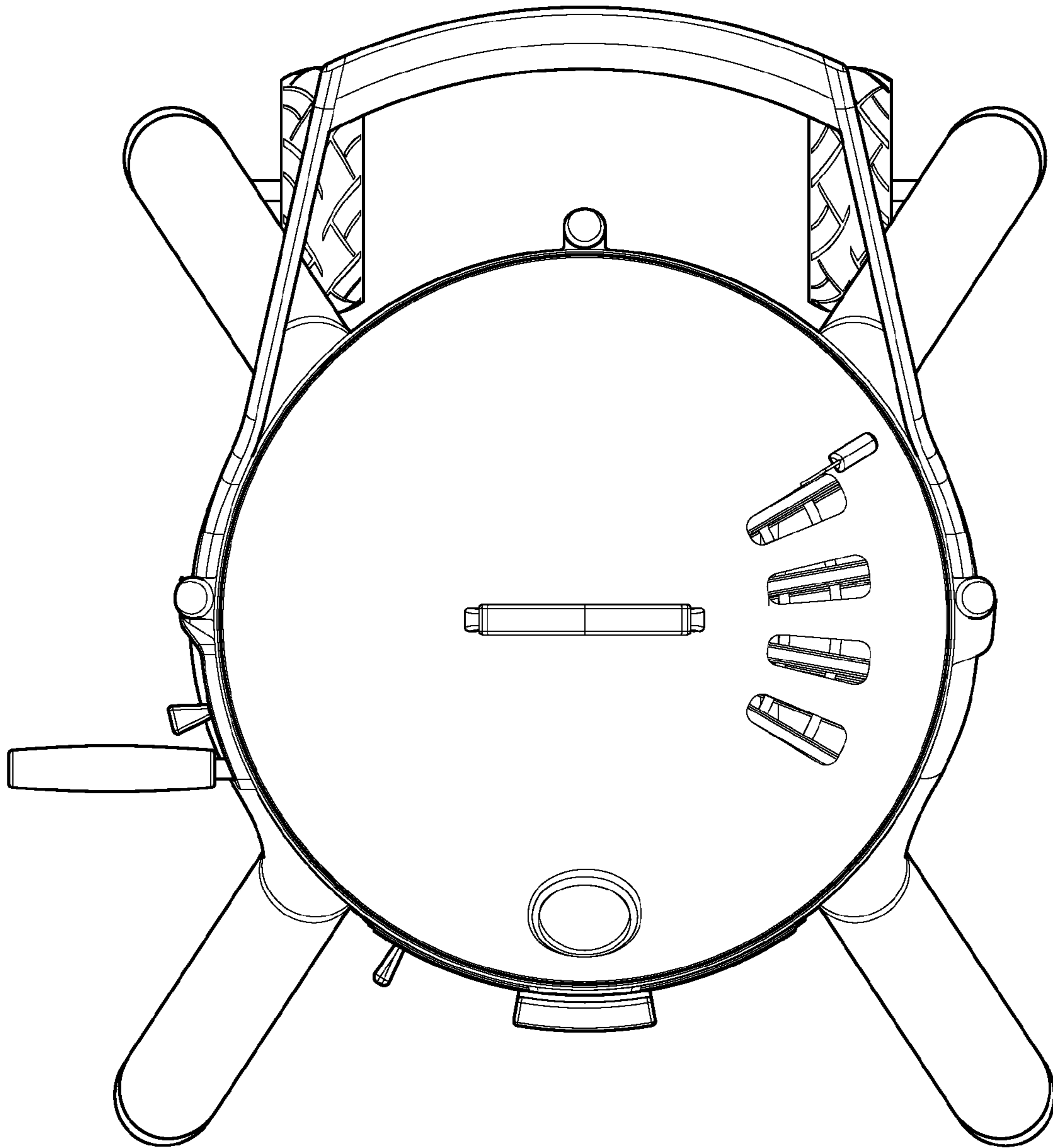


Fig. 6

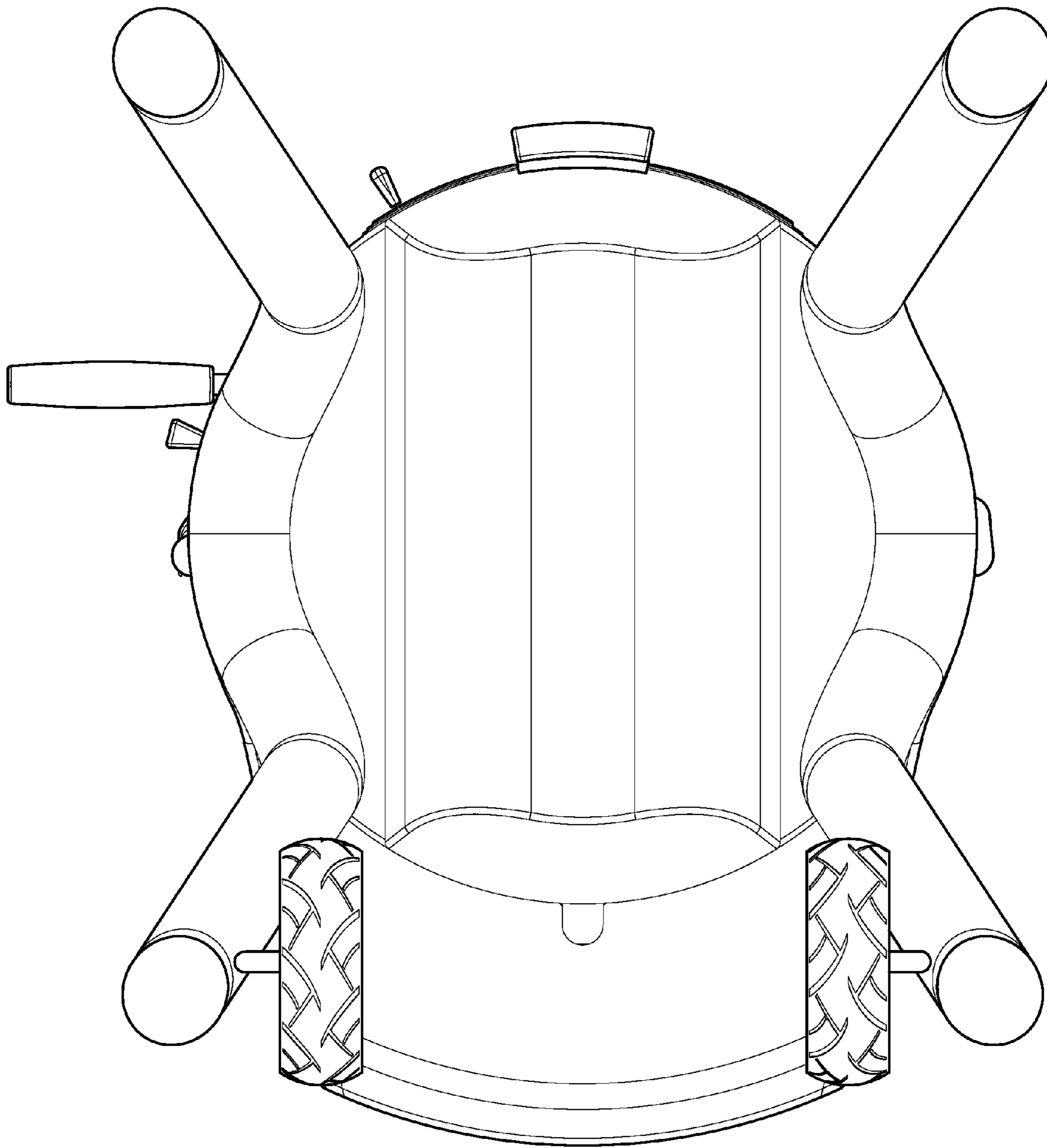


Fig. 7

UNITED STATES PATENT AND TRADEMARK OFFICE
CERTIFICATE OF CORRECTION

PATENT NO. : Des. 592,442 S
APPLICATION NO. : 29/301422
DATED : May 19, 2009
INVENTOR(S) : Rutter et al.

Page 1 of 2

It is certified that error appears in the above-identified patent and that said Letters Patent is hereby corrected as shown below:

Title Pg, Item (56) References Cited Add

U.S. PATENT DOCUMENTS

OTHER PUBLICATIONS

D193,163	7/1962	Levi
D198,822	8/1964	Lyemance
D201,416	6/1965	Sazegar
D201,937	8/1965	Johnson
D219,413	12/1970	Glaser et al.
D219,693	1/1971	Hahn
D223,042	2/1972	Wilkinson et al.
D225,781	1/1973	Ehrlichmann
D227,643	7/1973	Koziol
D233,585	11/1974	Thomas
D237,578	11/1975	Thomas
D243,309	2/1977	Reunanen
D269,839	7/1983	Givens, III
D270,420	9/1983	Baugh
D270,987	10/1983	Scheufler
D279,537	7/1985	Taylor et al.
D284,929	8/1986	Schlosser et al.
D292,163	10/1987	Mashburn et al.
D293,191	12/1987	Stephen et al.
D295,135	4/1988	Ogden
D303,061	8/1989	Fountain, Sr.
D325,318	4/1992	Parent et al.
D327,805	7/1992	Parent et al.
D333,941	3/1993	Hait
D341,988	12/1993	Endres
D444,663	7/2001	Samaras
D444,990	7/2001	Samaras

www.biggreenegg.com
www.grilldome.com

UNITED STATES PATENT AND TRADEMARK OFFICE
CERTIFICATE OF CORRECTION

PATENT NO. : Des. 592,442 S
APPLICATION NO. : 29/301422
DATED : May 19, 2009
INVENTOR(S) : Rutter et al.

Page 2 of 2

It is certified that error appears in the above-identified patent and that said Letters Patent is hereby corrected as shown below:

D469,651	2/2003	Samaras
6,463,923	10/2002	Carley et al.

Signed and Sealed this

Twenty-first Day of July, 2009



JOHN DOLL
Acting Director of the United States Patent and Trademark Office