



US00D592439S

(12) **United States Design Patent**
Root

(10) **Patent No.:** **US D592,439 S**

(45) **Date of Patent:** **** May 19, 2009**

(54) **BEVERAGE DISPENSER**

(76) **Inventor:** **Robert Root**, 1275 White Oak Rd.,
Scotch Plains, NJ (US) 07076

(**) **Term:** **14 Years**

(21) **Appl. No.:** **29/293,378**

(22) **Filed:** **Nov. 20, 2007**

(51) **LOC (9) Cl.** **07-01**

(52) **U.S. Cl.** **D7/301; D7/304**

(58) **Field of Classification Search** D7/300,
D7/306, 304, 301, 307, 308; D23/293.1,
D23/295, 301; 220/234; 222/185.1

See application file for complete search history.

(56) **References Cited**

U.S. PATENT DOCUMENTS

D11,817 S *	6/1880	Jenks	D7/301
D55,828 S *	7/1920	Taylor	D7/304
D88,706 S *	12/1932	Garton	D34/13
D91,331 S *	1/1934	Rourke	D7/301
D150,397 S *	8/1948	Berg	D23/295
D165,471 S *	12/1951	Krantos	D7/304
D239,284 S *	3/1976	Haws	D7/304
D268,779 S *	4/1983	Doman	D23/295
D276,869 S *	12/1984	Doman	D7/304
D292,774 S *	11/1987	McGraw	D9/600
D311,057 S *	10/1990	Stairs, Jr.	D23/295
D323,880 S *	2/1992	McKeone et al.	D23/295
D343,352 S *	1/1994	Sahr	D9/641
D359,548 S *	6/1995	Chen	D23/295
D372,961 S *	8/1996	Bonnell et al.	D23/295

6,212,696 B1 *	4/2001	Ray	4/256.1
D480,456 S *	10/2003	Svendsen et al.	D23/295
D491,644 S *	6/2004	Garza et al.	D23/295
D547,104 S *	7/2007	Hong	D7/304
D547,996 S *	8/2007	Clark et al.	D7/304

* cited by examiner

Primary Examiner—Marianne Pandozzi

(74) *Attorney, Agent, or Firm*—Daniel Kirshner

(57) **CLAIM**

The ornamental design for a beverage dispenser, as shown and described.

DESCRIPTION

FIG. 1 is a perspective view of the present invention beverage dispenser;

FIG. 2 is a perspective view thereof with its shelf in a horizontal position;

FIG. 3 is front view thereof;

FIG. 4 is a perspective view thereof shown the design in exploded condition;

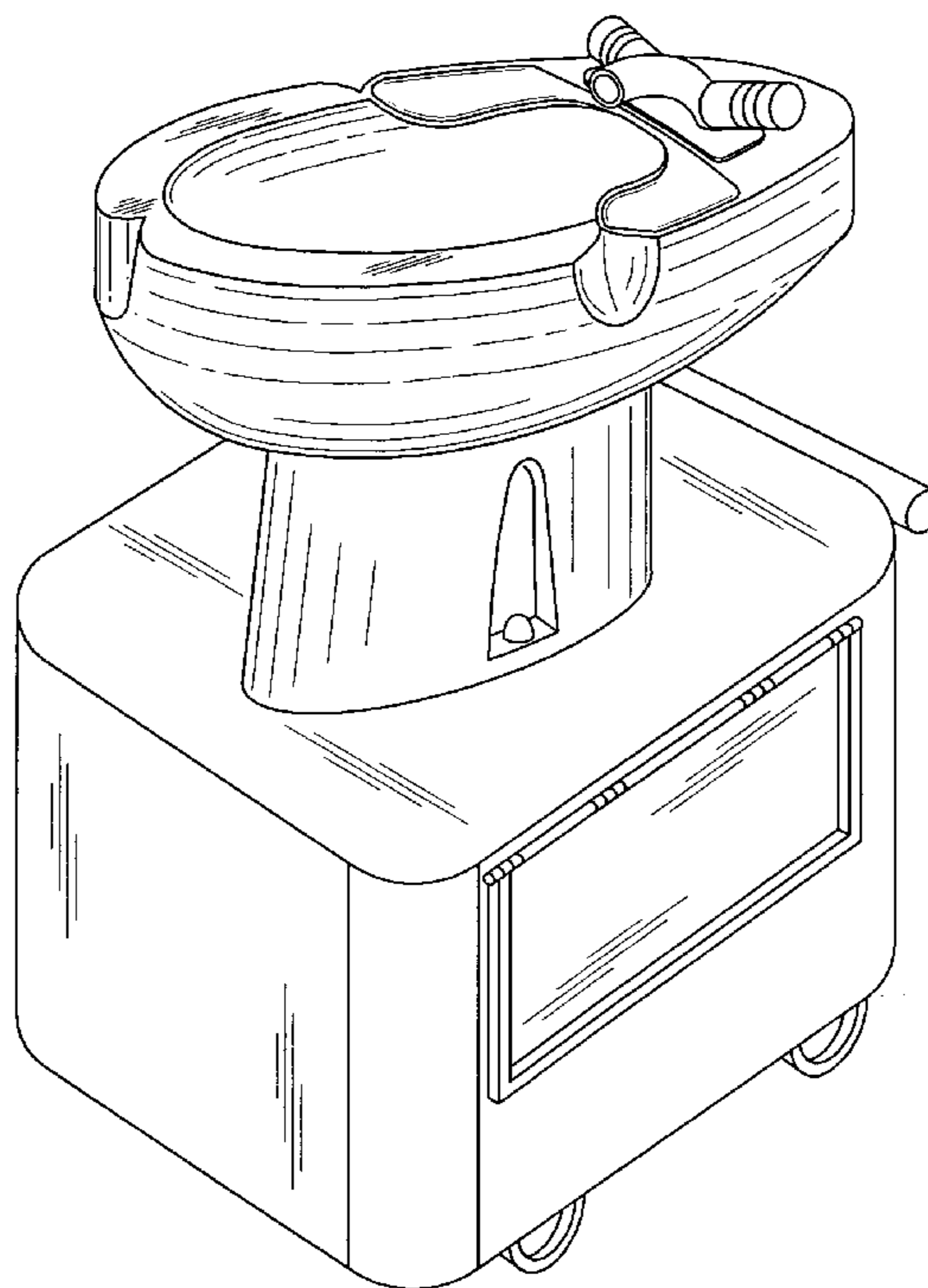
FIG. 5 is a rear perspective view broken away for ease of illustration with the handle pushed in;

FIG. 6 is a rear perspective view broken away for ease of illustration with the handle pulled out; and,

FIG. 7 is a bottom view thereof.

The broken lines in the drawings are included for the purpose of illustration and form no part of the claimed design.

1 Claim, 6 Drawing Sheets



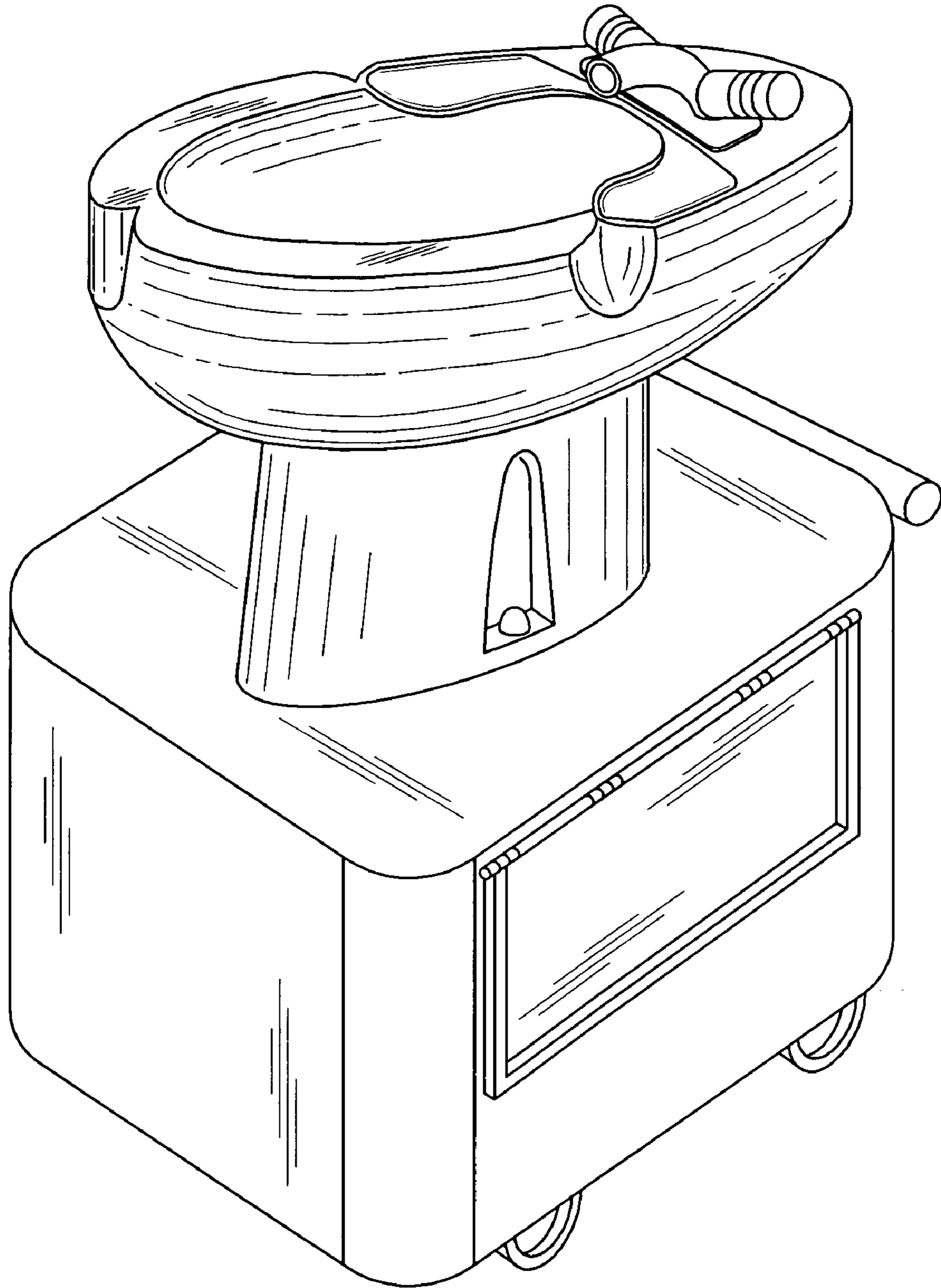


FIG. 1

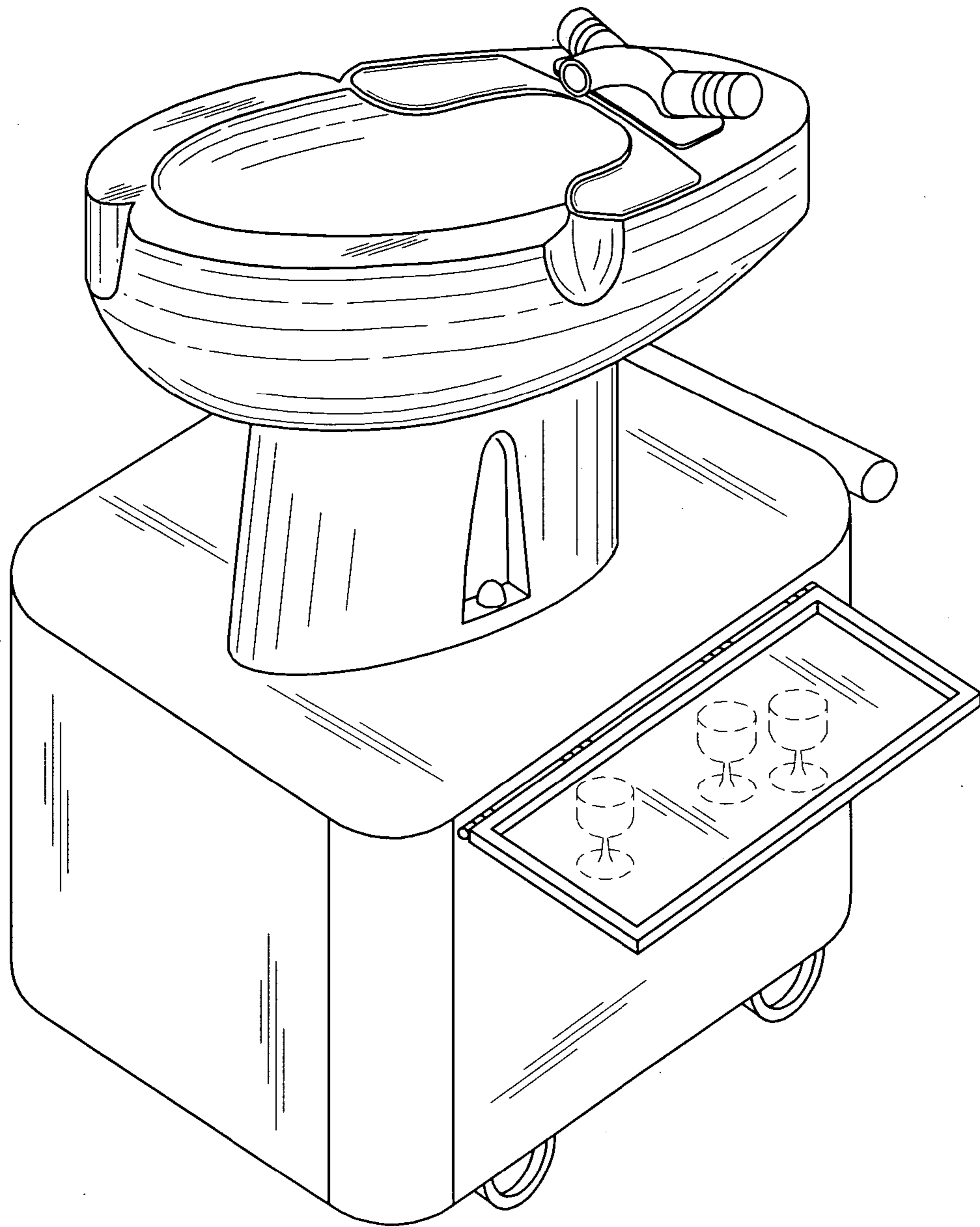


FIG. 2

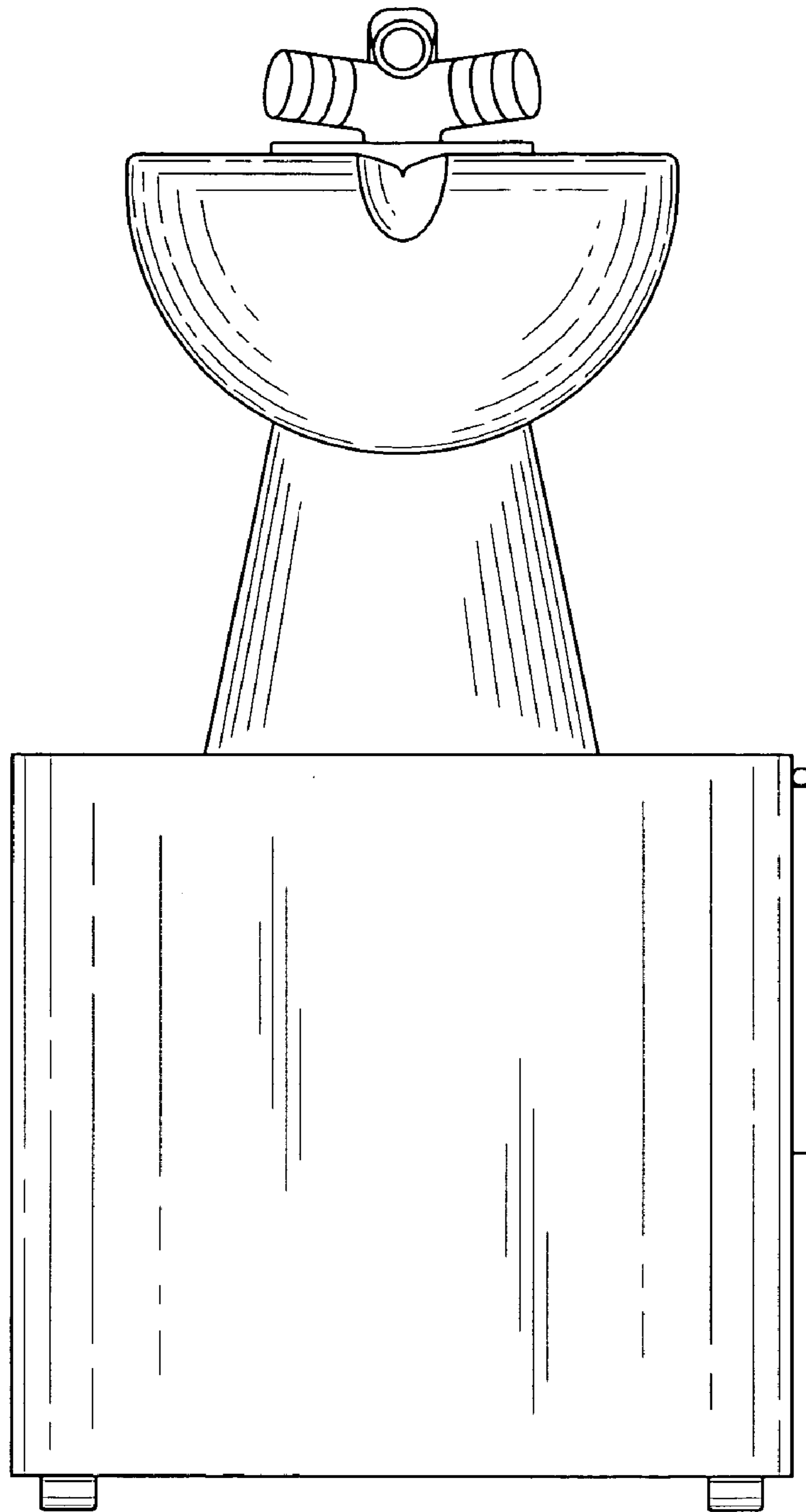


FIG. 3

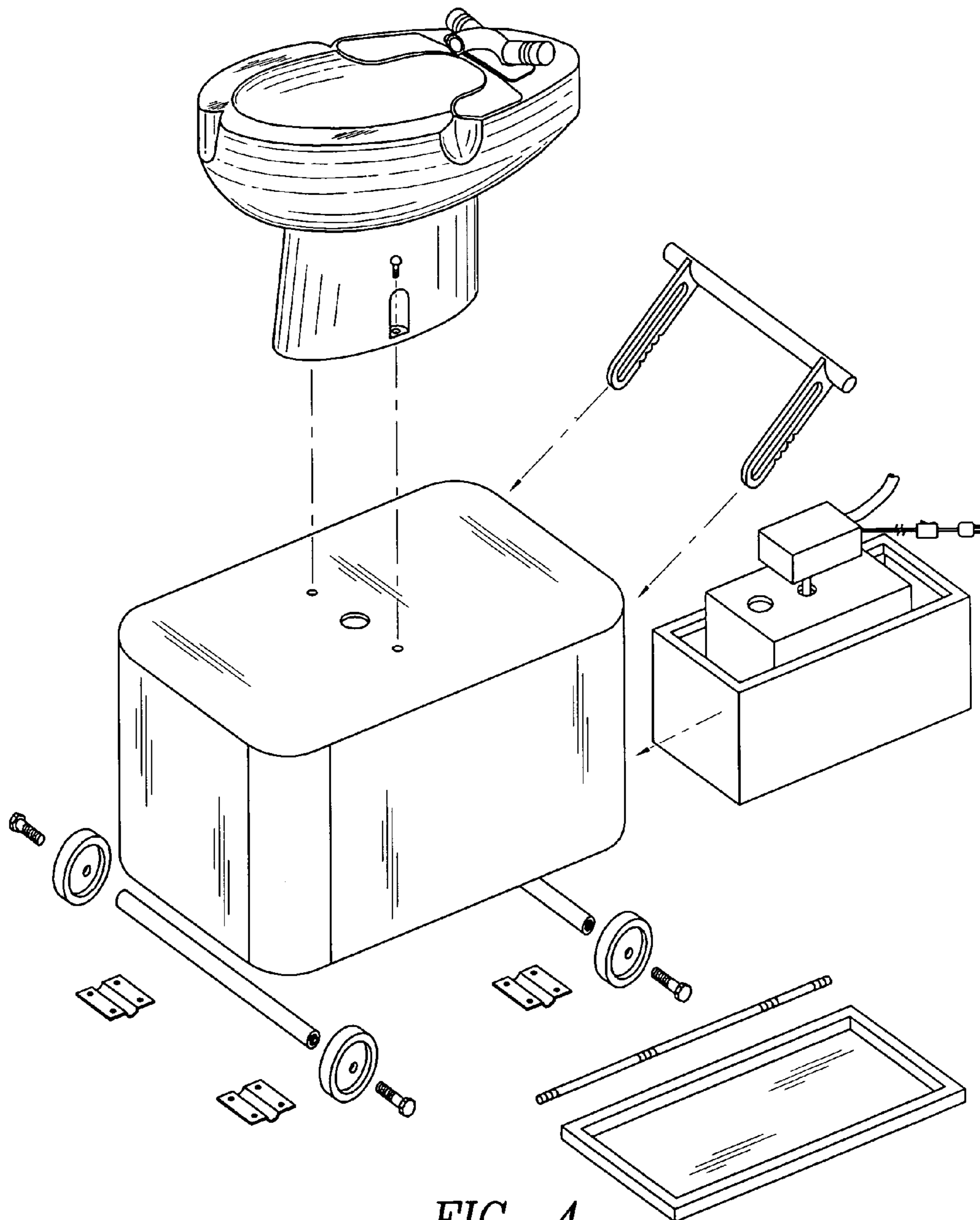


FIG. 4

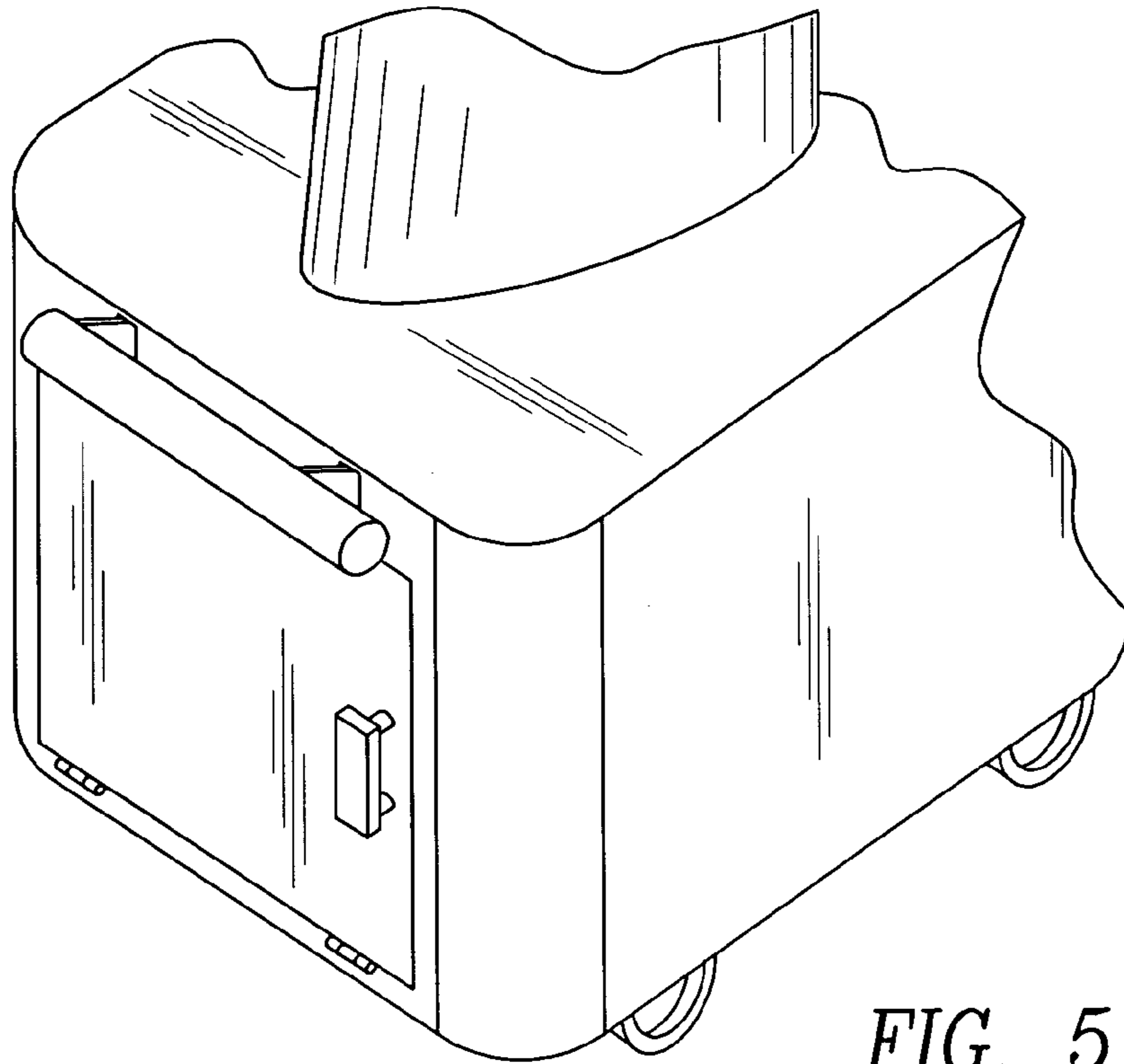


FIG. 5

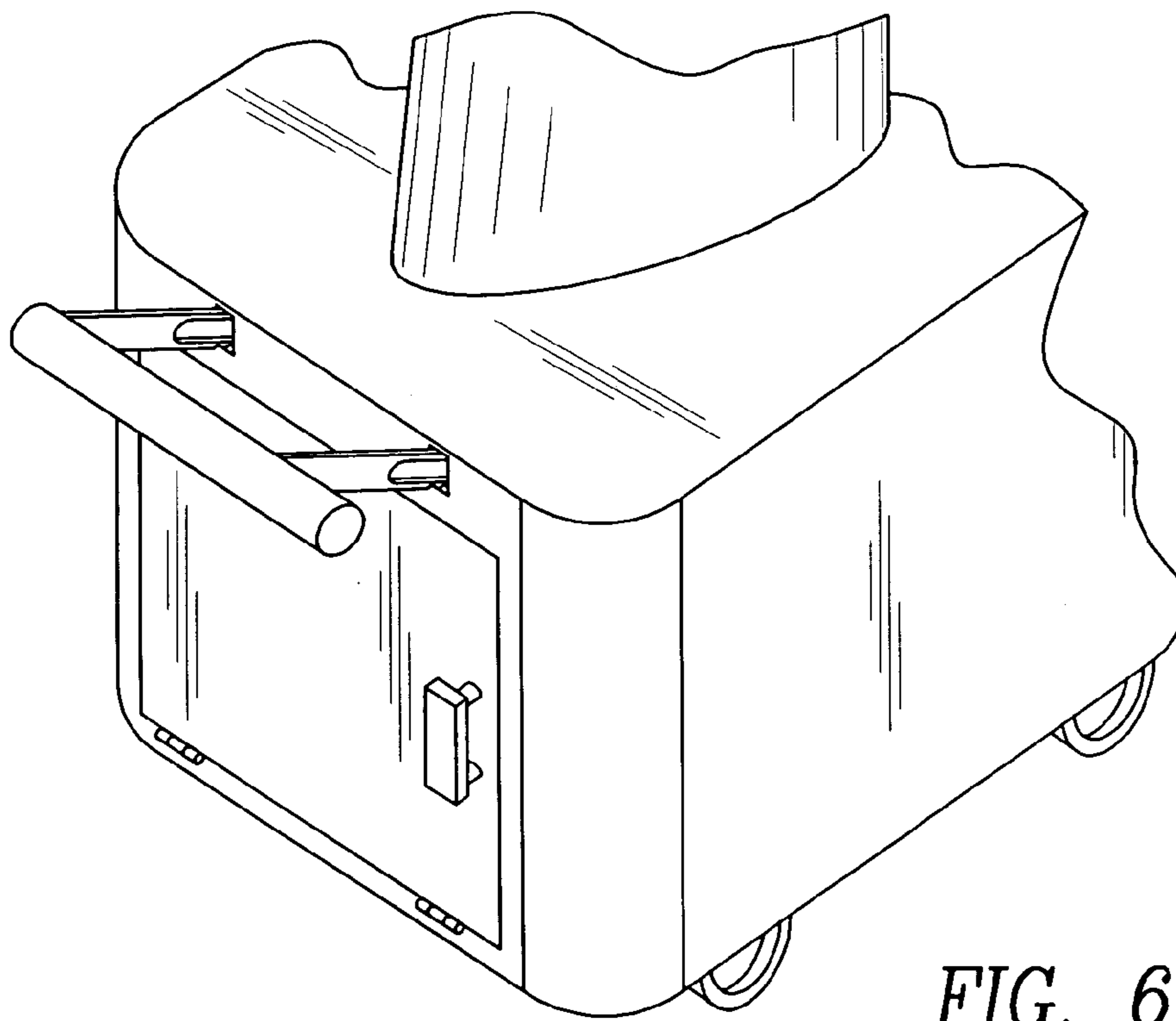


FIG. 6

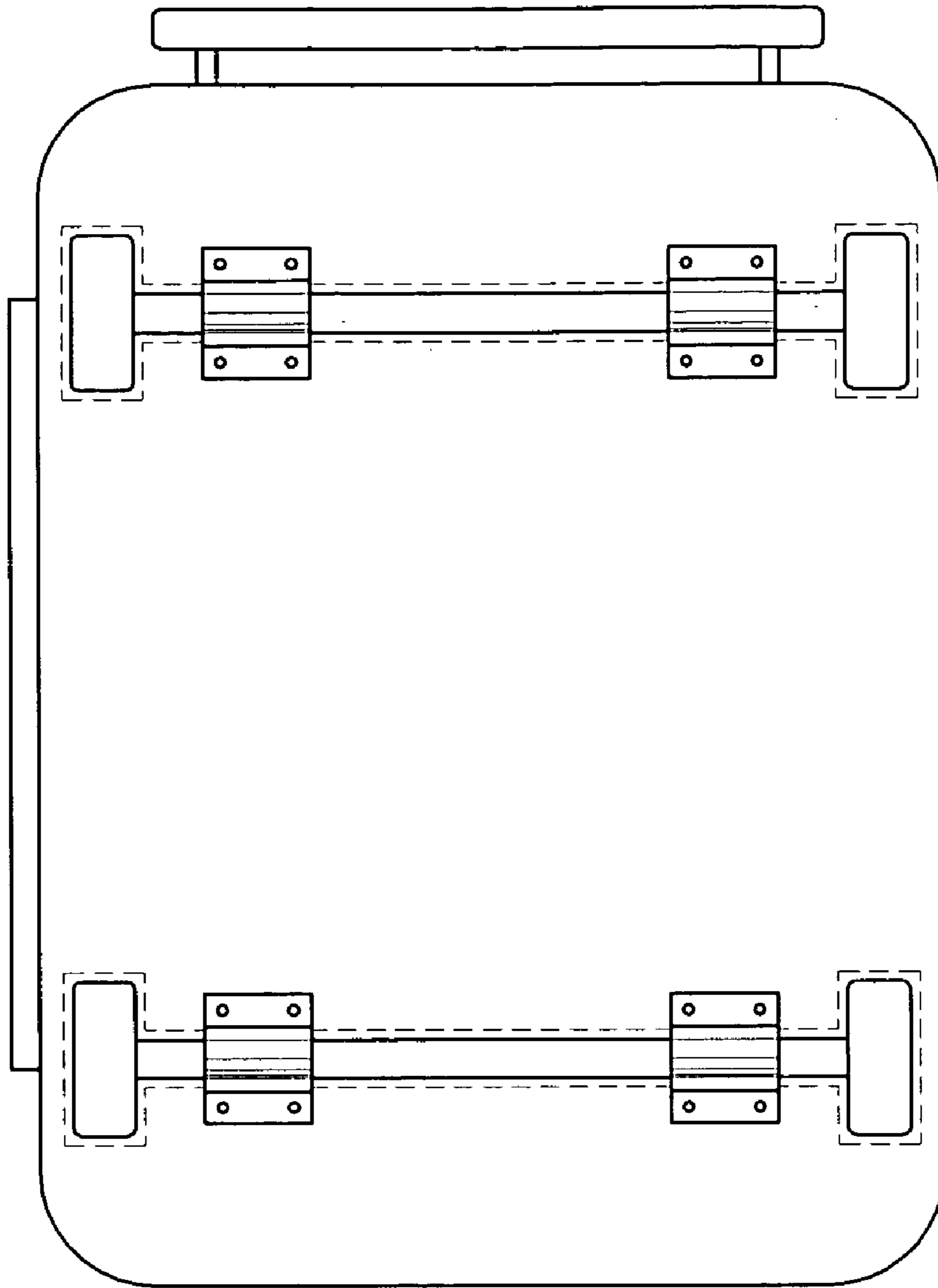


FIG. 7