



US00D592437S

(12) **United States Design Patent**  
**Chou**

(10) **Patent No.:** **US D592,437 S**  
(45) **Date of Patent:** **\*\* May 19, 2009**

(54) **PULL CORD POSITION-APART DEVICE OF WINDOW CURTAIN**

D587,054 S \* 2/2009 Patterson et al. .... D6/580

(76) Inventor: **Tser Wen Chou**, 1A, 3F., No. 176,  
Jiankang Rd., Taipei City (TW)

\* cited by examiner

(\*\*) Term: **14 Years**

*Primary Examiner*—Robert M Spear  
*Assistant Examiner*—Barbara B Lohr  
(74) *Attorney, Agent, or Firm*—Ming Chow; Sinorica, LLC

(21) Appl. No.: **29/328,934**

(57) **CLAIM**

(22) Filed: **Dec. 4, 2008**

The ornamental design for a pull cord position-apart device of window curtain, as shown and described.

(51) **LOC (9) Cl.** ..... **06-10**

(52) **U.S. Cl.** ..... **D6/580**

(58) **Field of Classification Search** ..... D6/576,  
D6/577, 578, 579, 580, 581, 582, 583, 584,  
D6/585, 586, 587, 589, 590; 160/38, 39,  
160/177 R, 178.1 R, 32, 84.02, 84.03, 84.04,  
160/84.05, 170, 168.1 V, 321; D13/155;  
D20/44; D25/119, 122, 124; 4/506; 52/169.2;  
D8/354; D16/205

See application file for complete search history.

**DESCRIPTION**

(56) **References Cited**

**U.S. PATENT DOCUMENTS**

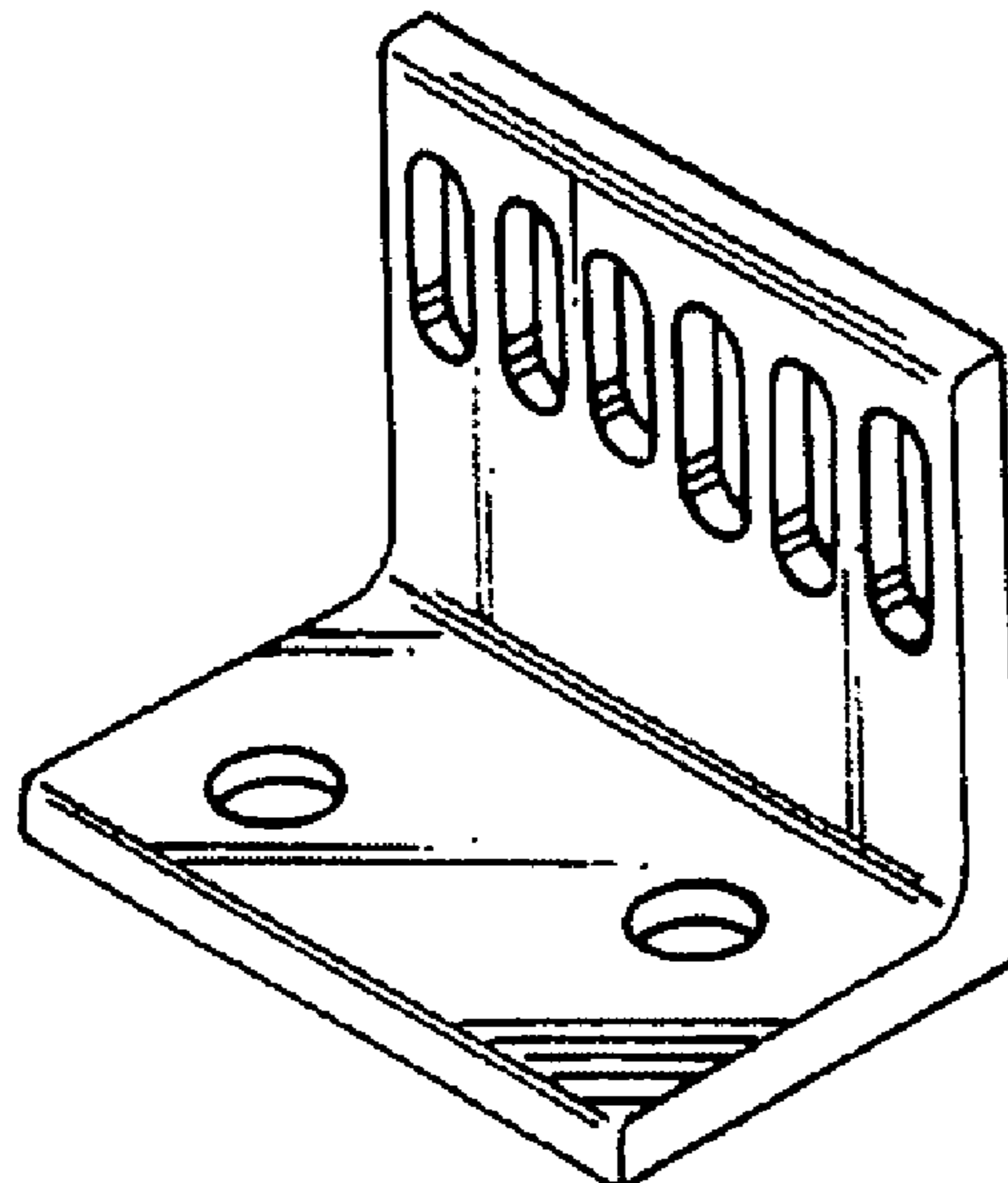
- D440,447 S \* 4/2001 Horsten ..... D6/580
- D443,456 S \* 6/2001 Horsten ..... D6/580
- D447,901 S \* 9/2001 Horsten ..... D6/580
- D486,987 S \* 2/2004 Tyner ..... D6/580
- D506,341 S \* 6/2005 Gruner ..... D6/580
- D541,567 S \* 5/2007 Spence ..... D6/580
- D543,404 S \* 5/2007 Watkins et al. .... D6/580

FIG. 1 is a perspective view of a pull cord position-apart device of a window curtain;  
FIG. 2 is a front view thereof;  
FIG. 3 is a rear view thereof;  
FIG. 4 is a left side view thereof;  
FIG. 5 is a right side view thereof;  
FIG. 6 is a top view thereof;  
FIG. 7 is a bottom view thereof; and,

FIG. 8 is a perspective view of the design showing that the pull cord position-apart device and a roller set are mounted on a bottom face of a sheet in which pull cords being passing through, the broken line forming the pull cords, the roller set and the sheet of the design that forms no part of the claim.

The device is mounted in a window rail or installed in a window rail by means of a sheet as shown in FIG. 8.

**1 Claim, 4 Drawing Sheets**



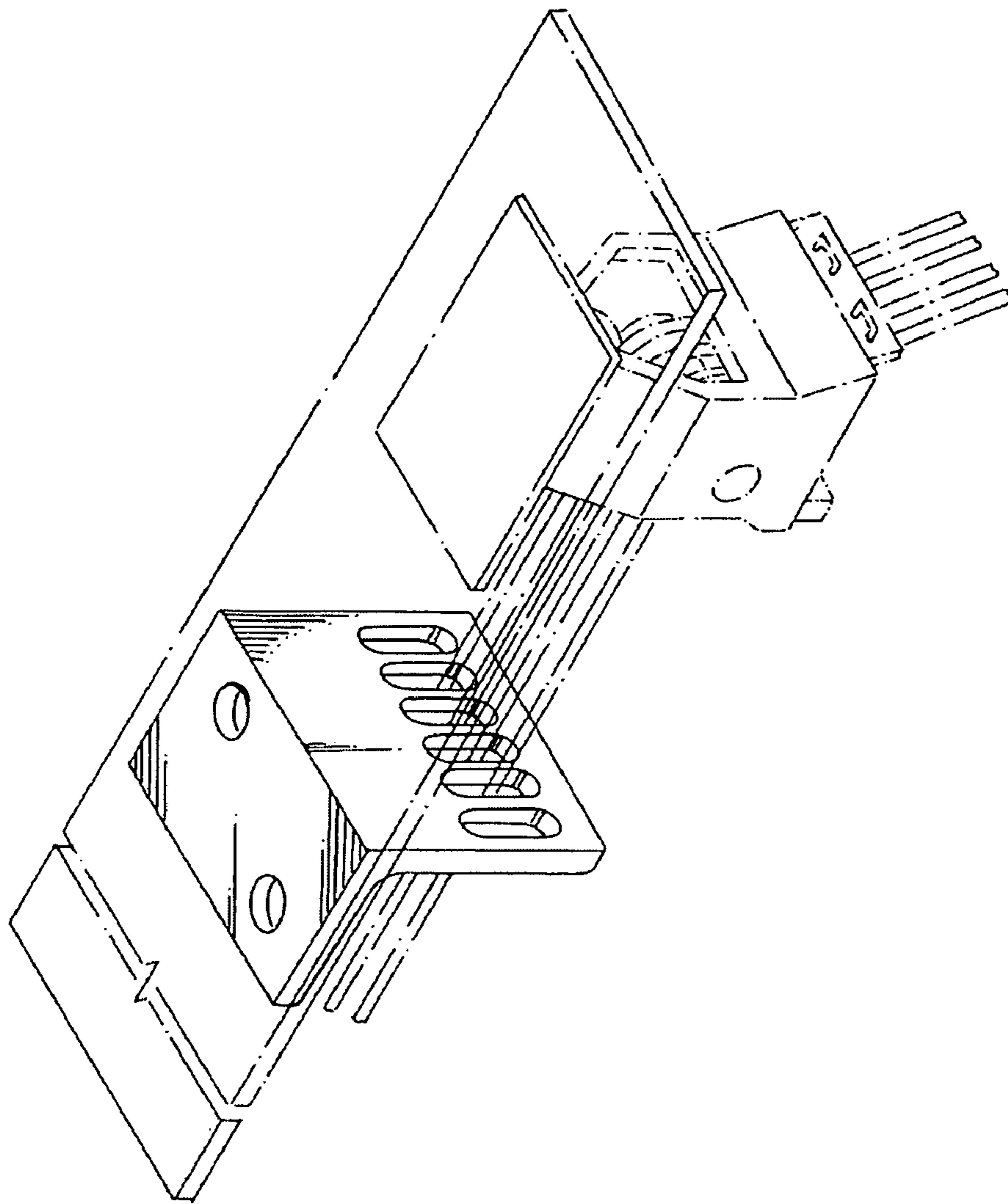


FIG 8

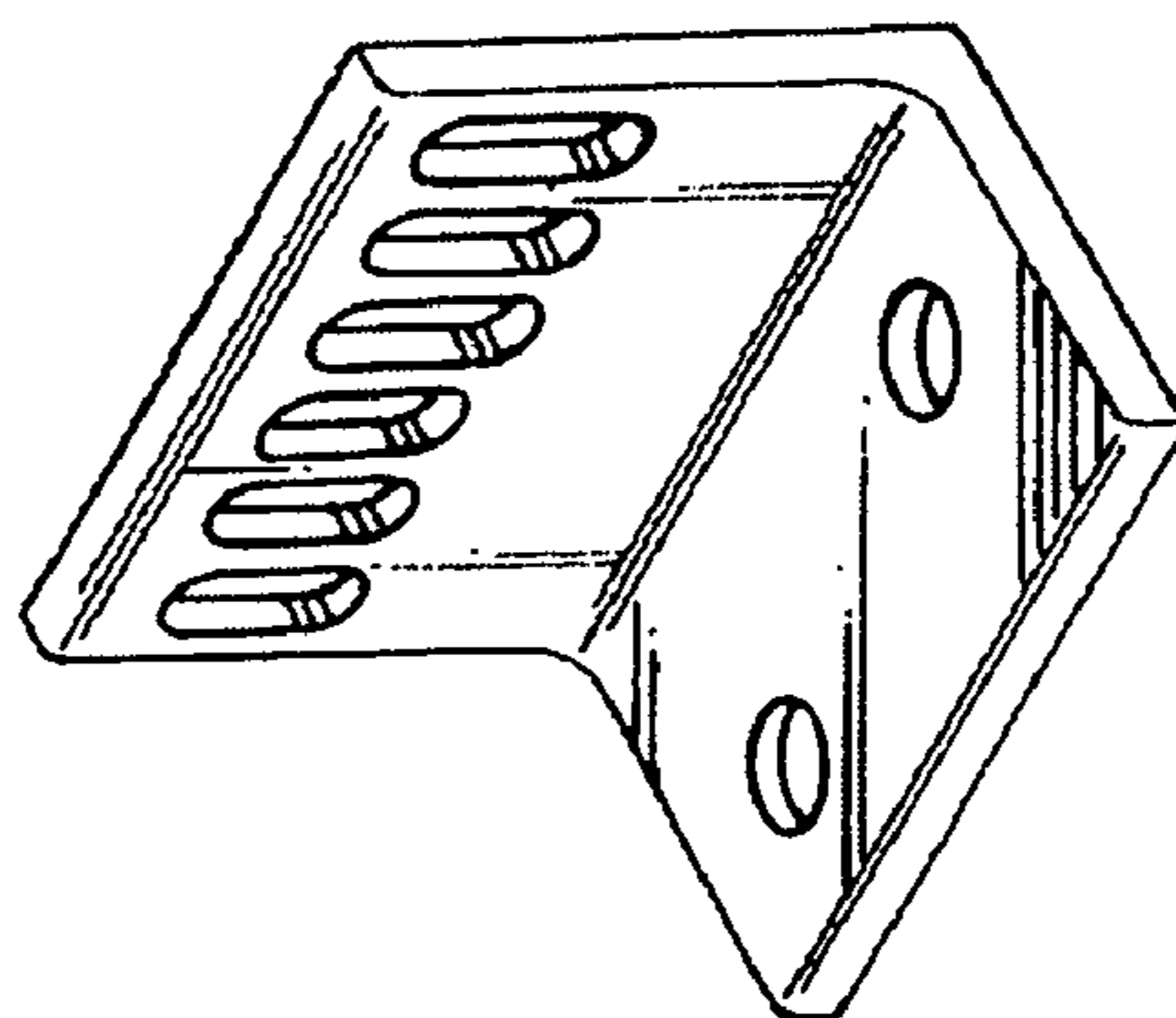


FIG 1

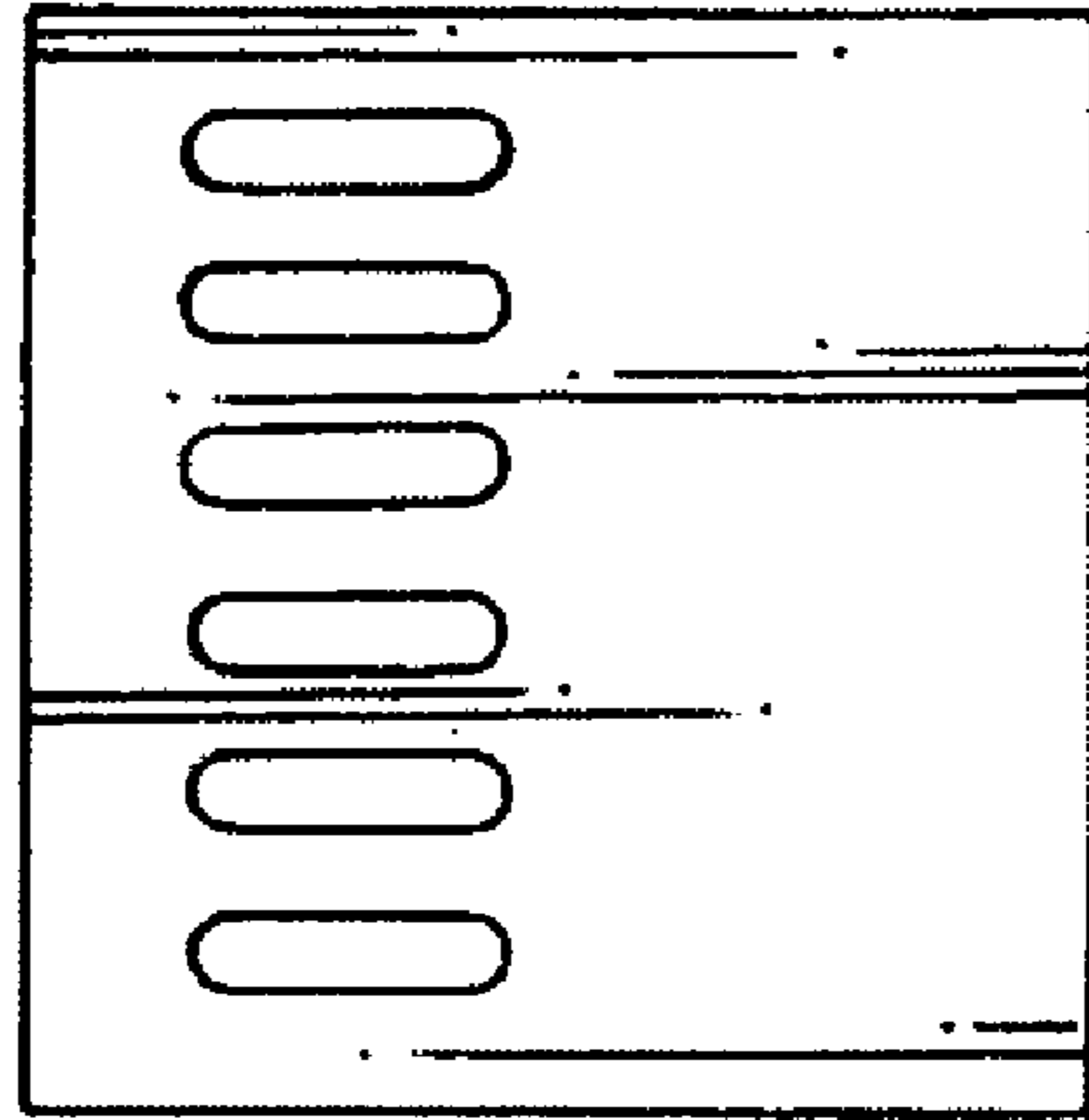


FIG 3

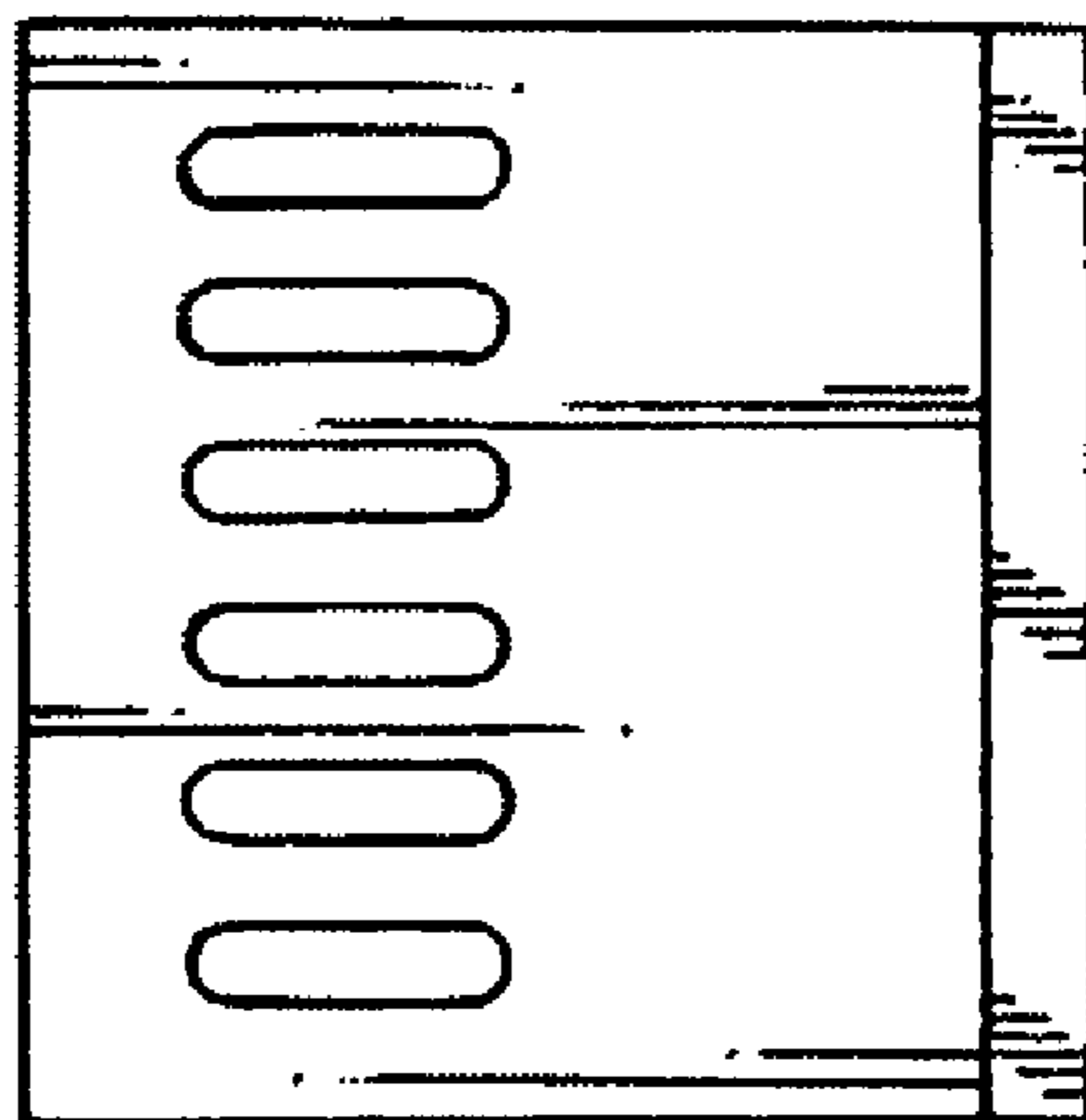


FIG 2

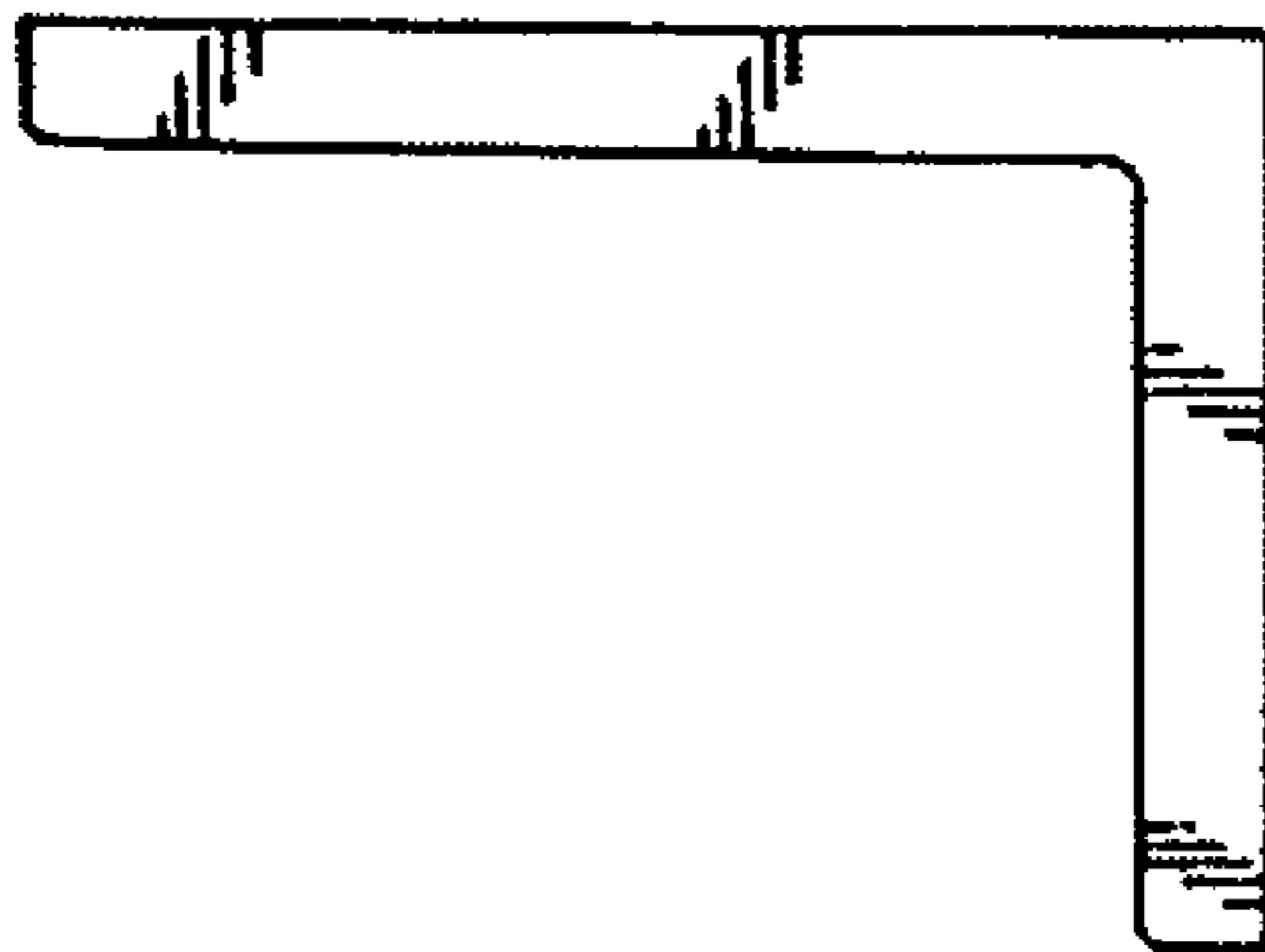


FIG 5

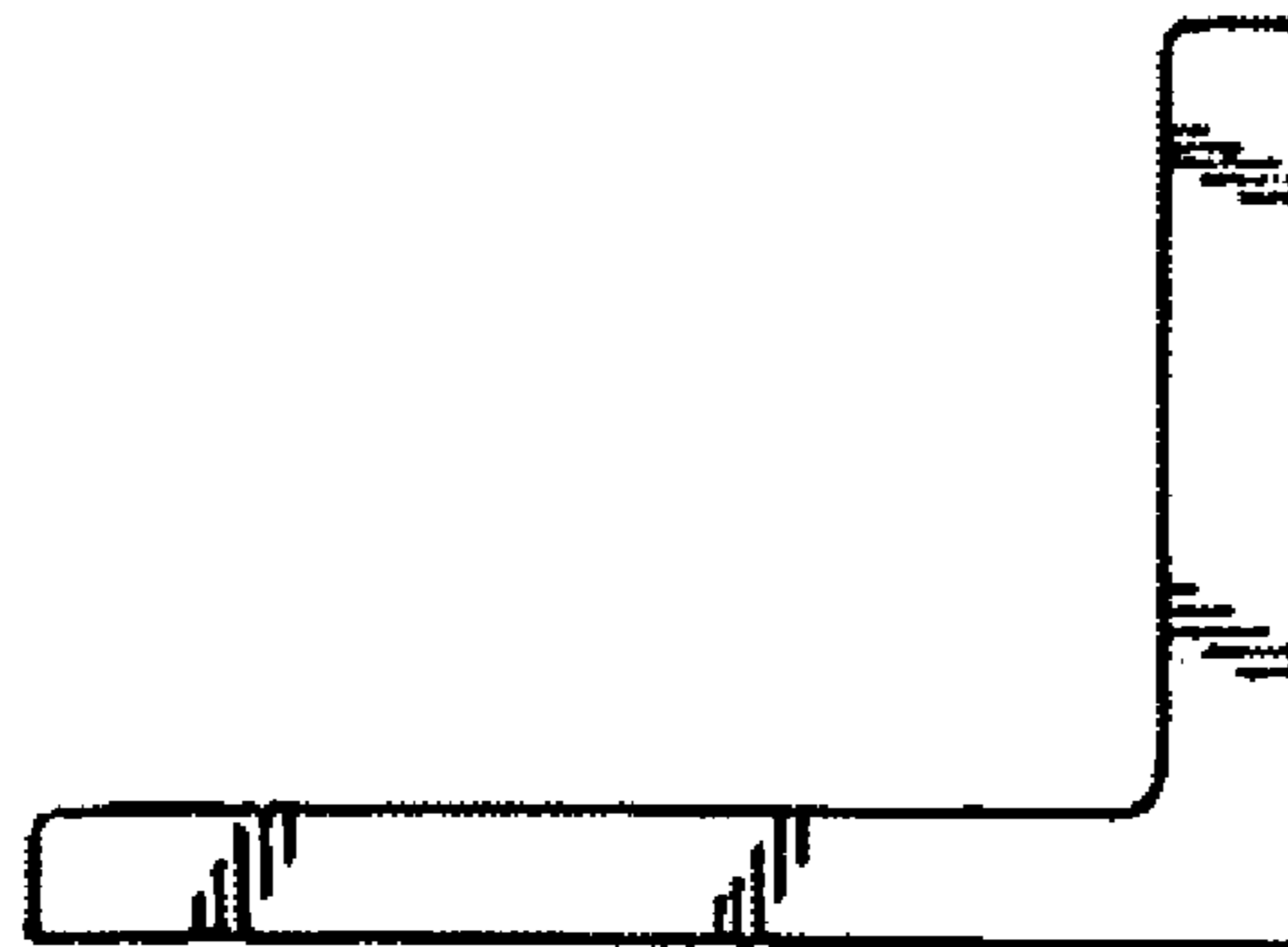


FIG 4

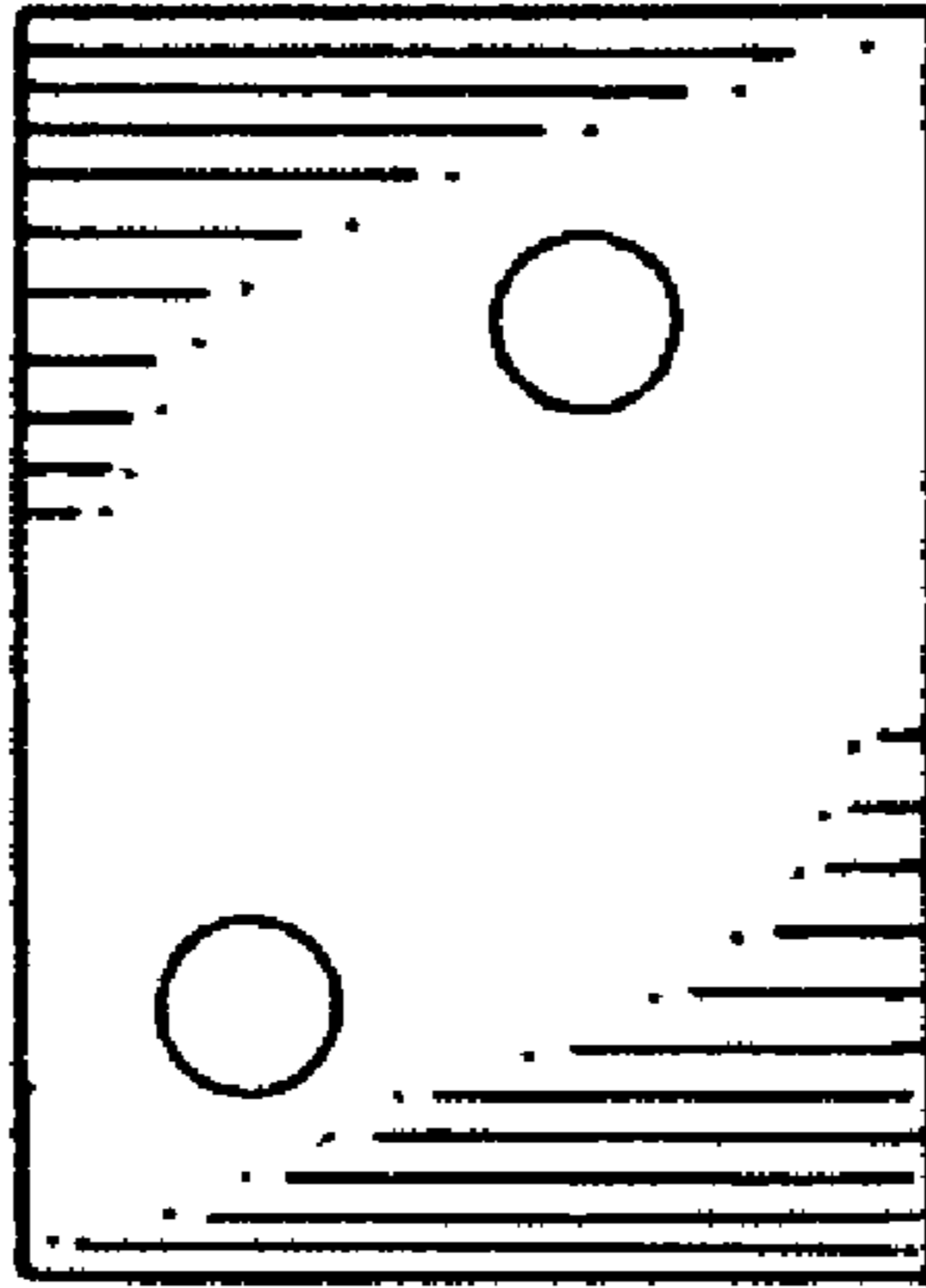


FIG 7

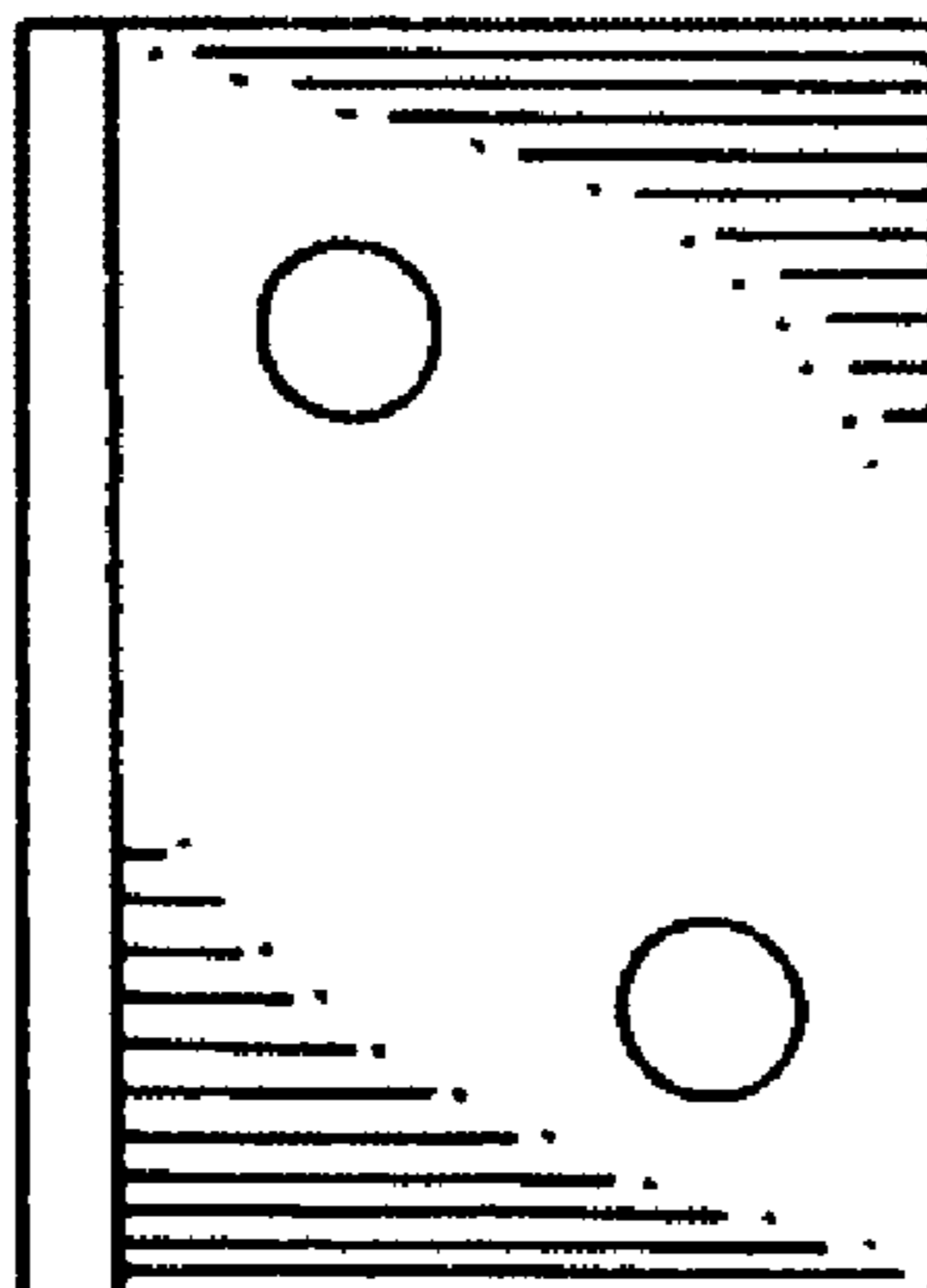


FIG 6