



US00D592436S

(12) **United States Design Patent**
Thompson et al.

(10) **Patent No.:** **US D592,436 S**

(45) **Date of Patent:** **** May 19, 2009**

(54) **WALL MOUNTABLE JEWELRY RACK ASSEMBLY**

D484,346 S * 12/2003 Shamoan D6/574
D553,408 S * 10/2007 Kubota D6/553
D557,964 S * 12/2007 Hoernig D6/574
D559,602 S * 1/2008 Bickler et al. D6/574

(75) Inventors: **Craig Thompson**, Inver Grove Heights, MN (US); **Byron E. Trotter**, St. Paul, MN (US); **Peter J. Newbould**, Milan (IT); **Michele Cestone**, Milan (IT)

* cited by examiner

(73) Assignee: **3M Innovative Properties Company**, St. Paul, MN (US)

Primary Examiner—Brian N Vinson

(74) *Attorney, Agent, or Firm*—David B. Patchett

(**) Term: **14 Years**

(57) **CLAIM**

(21) Appl. No.: **29/296,610**

The ornamental design for a wall mountable jewelry rack assembly, as shown and described.

(22) Filed: **Oct. 24, 2007**

(51) **LOC (9) Cl.** **06-04**

DESCRIPTION

(52) **U.S. Cl.** **D6/574**

(58) **Field of Classification Search** D6/518–524, D6/548–550, 574; D8/300, 303, 315–321, D8/349, 354, 363, 373, 380; 108/28–29; 211/13.1, 16, 60.1, 100, 86.01, 87.01, 88.01, 211/88.04, 105.1–105.2, 123, 182, 181.1; 248/176, 176.1, 251, 302, 309.1; 16/110.1, 16/412, 415; 242/570, 590, 595–598
See application file for complete search history.

FIG. 1 is a perspective view showing the new design for a wall mountable jewelry rack assembly;

FIG. 2 is a front view thereof;

FIG. 3 is a bottom view thereof;

FIG. 4 is a top view thereof;

FIG. 5 is a back view thereof; and,

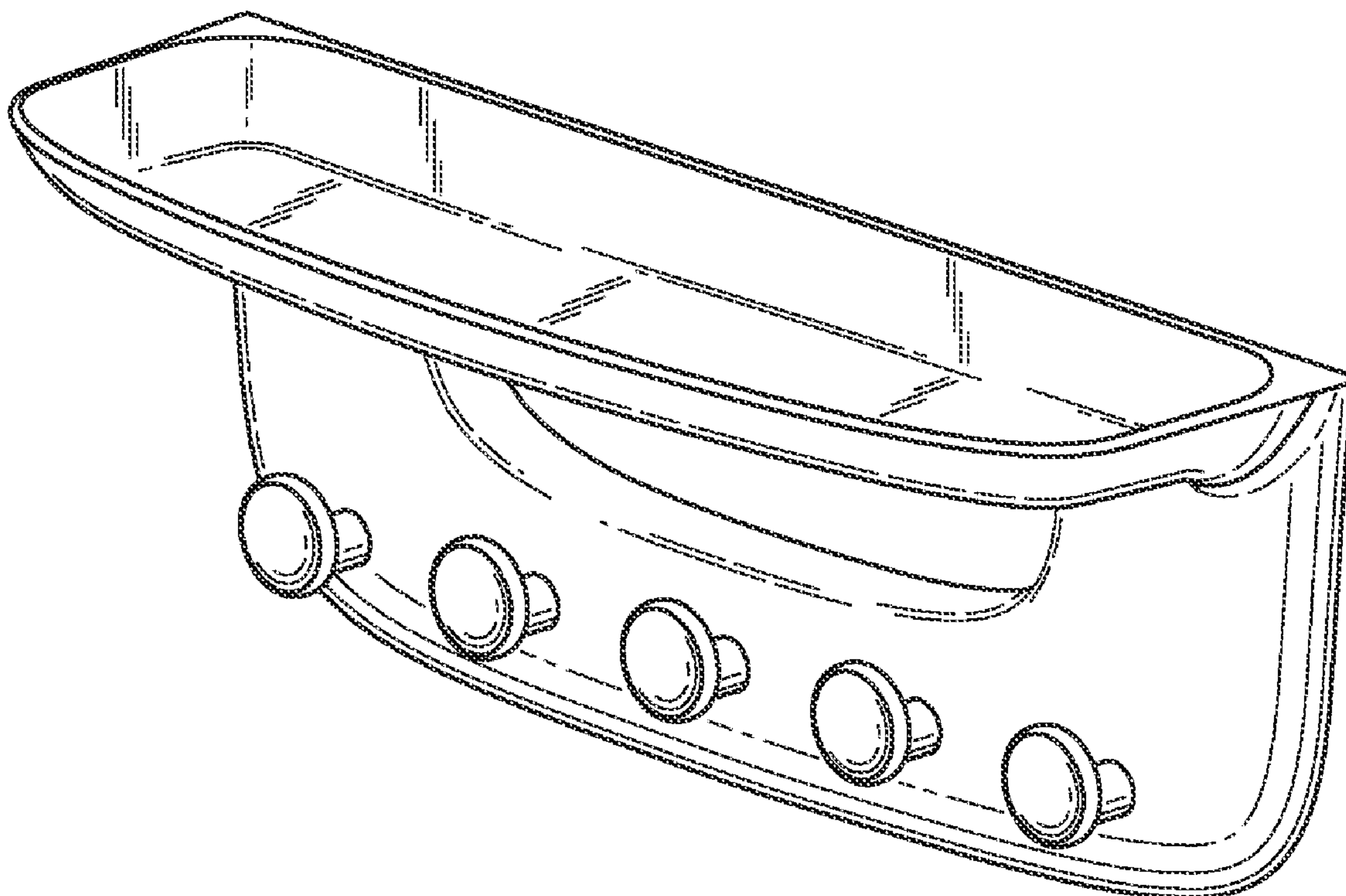
FIG. 6 is a side view thereof, the opposite side view being a mirror image of the side view shown.

(56) **References Cited**

U.S. PATENT DOCUMENTS

D483,976 S * 12/2003 Hoernig D6/574

1 Claim, 2 Drawing Sheets



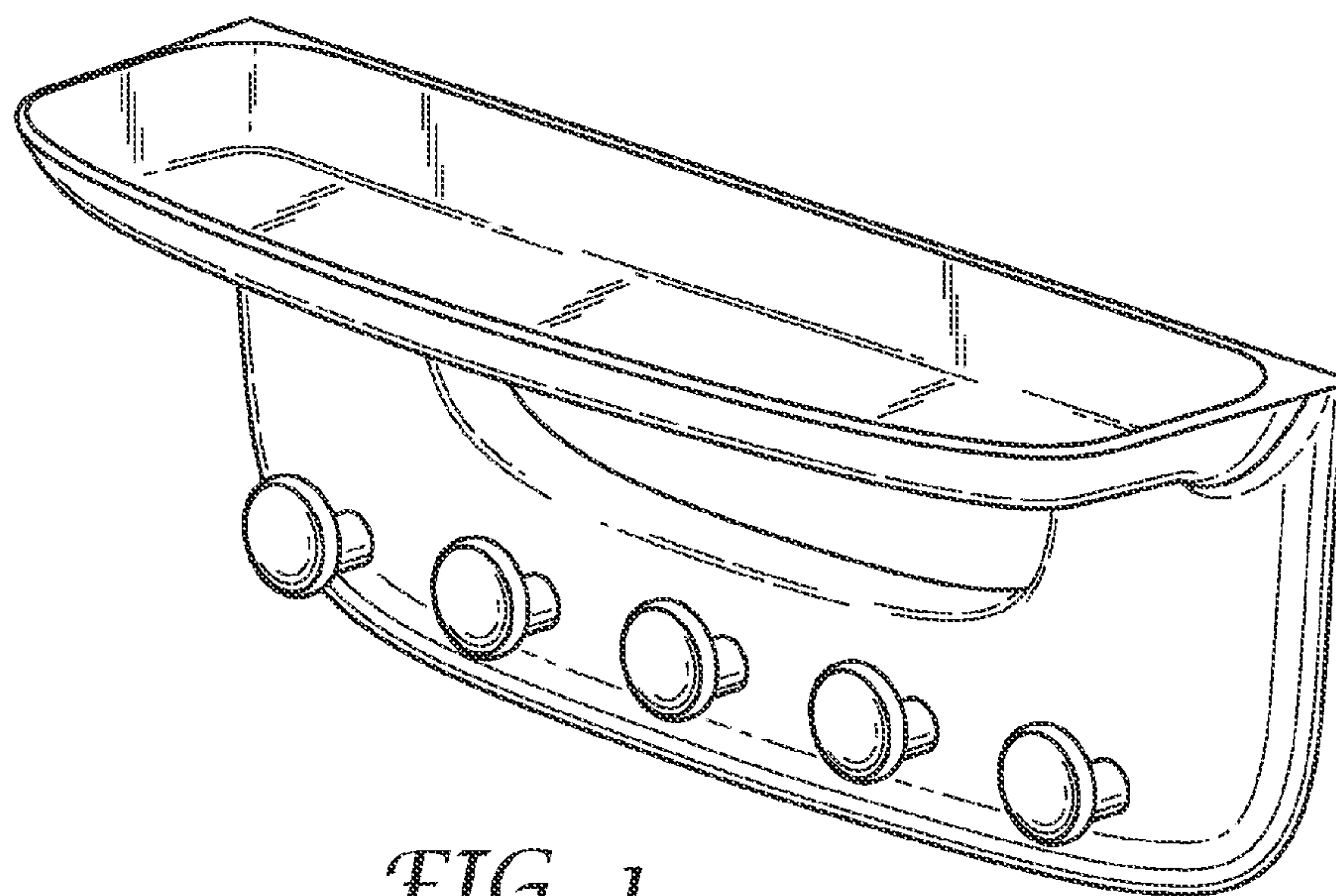


FIG. 1

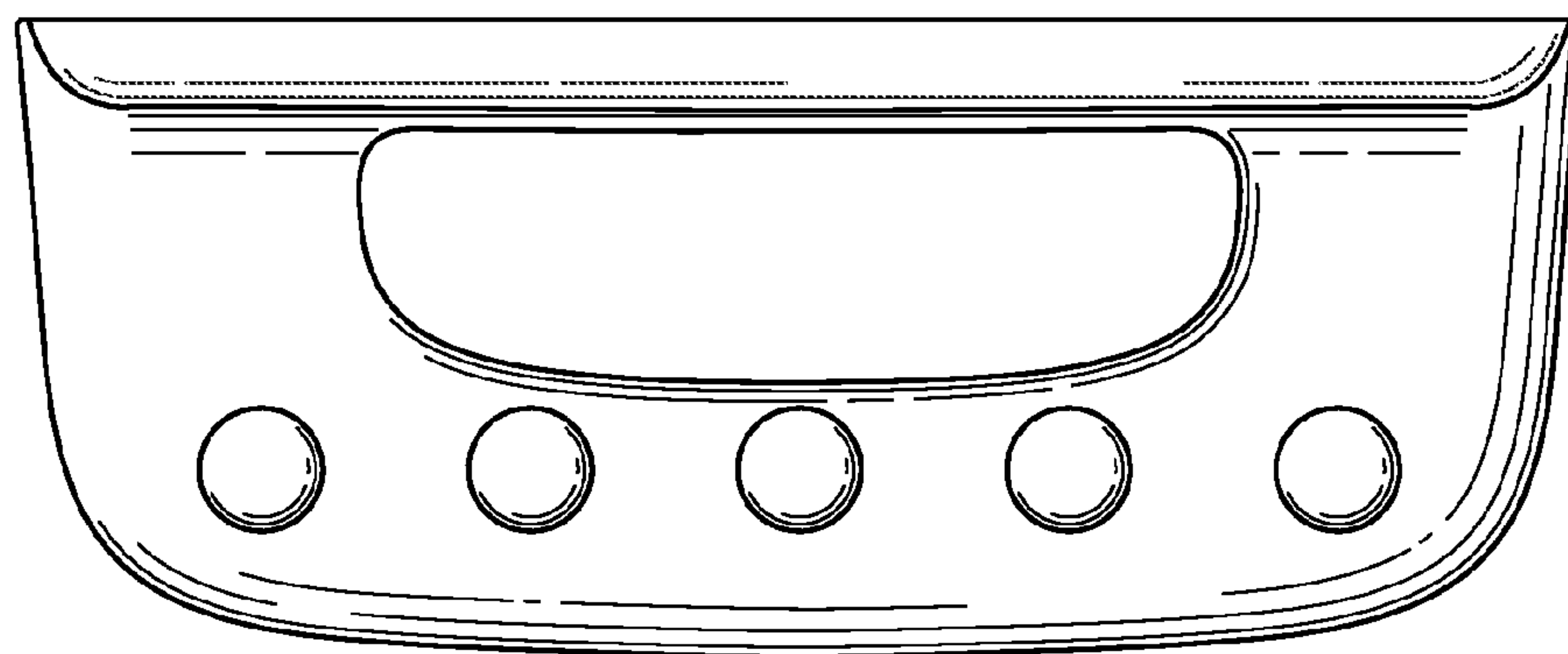


FIG. 2

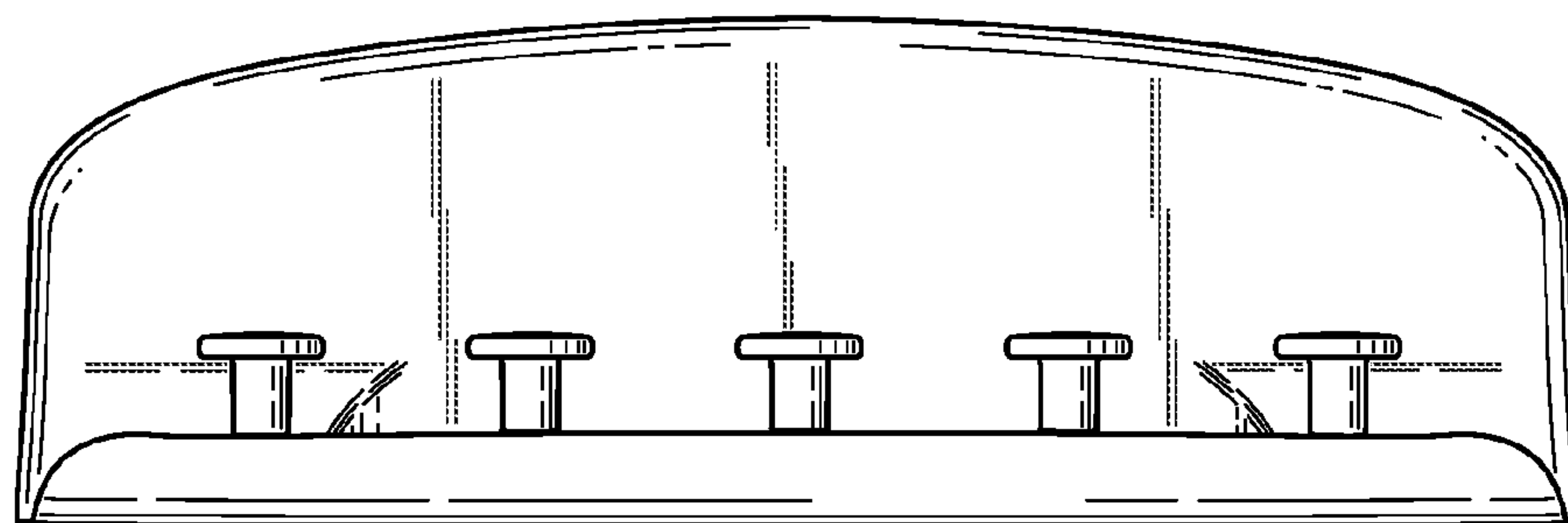


FIG. 3

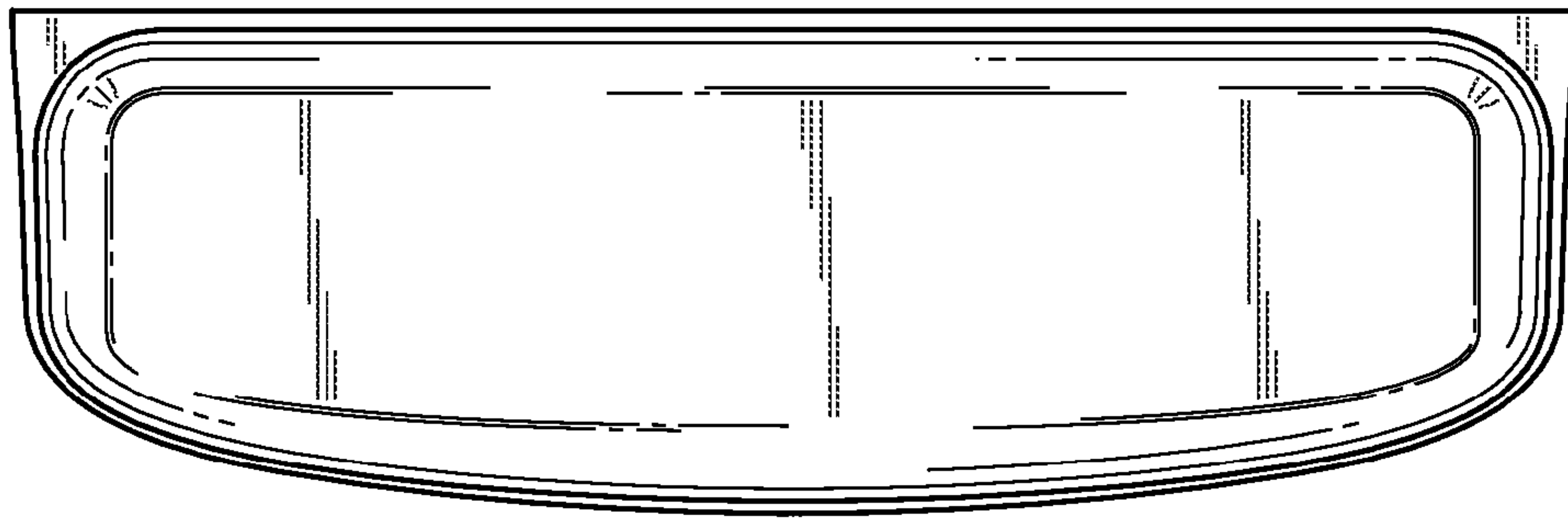


FIG. 4

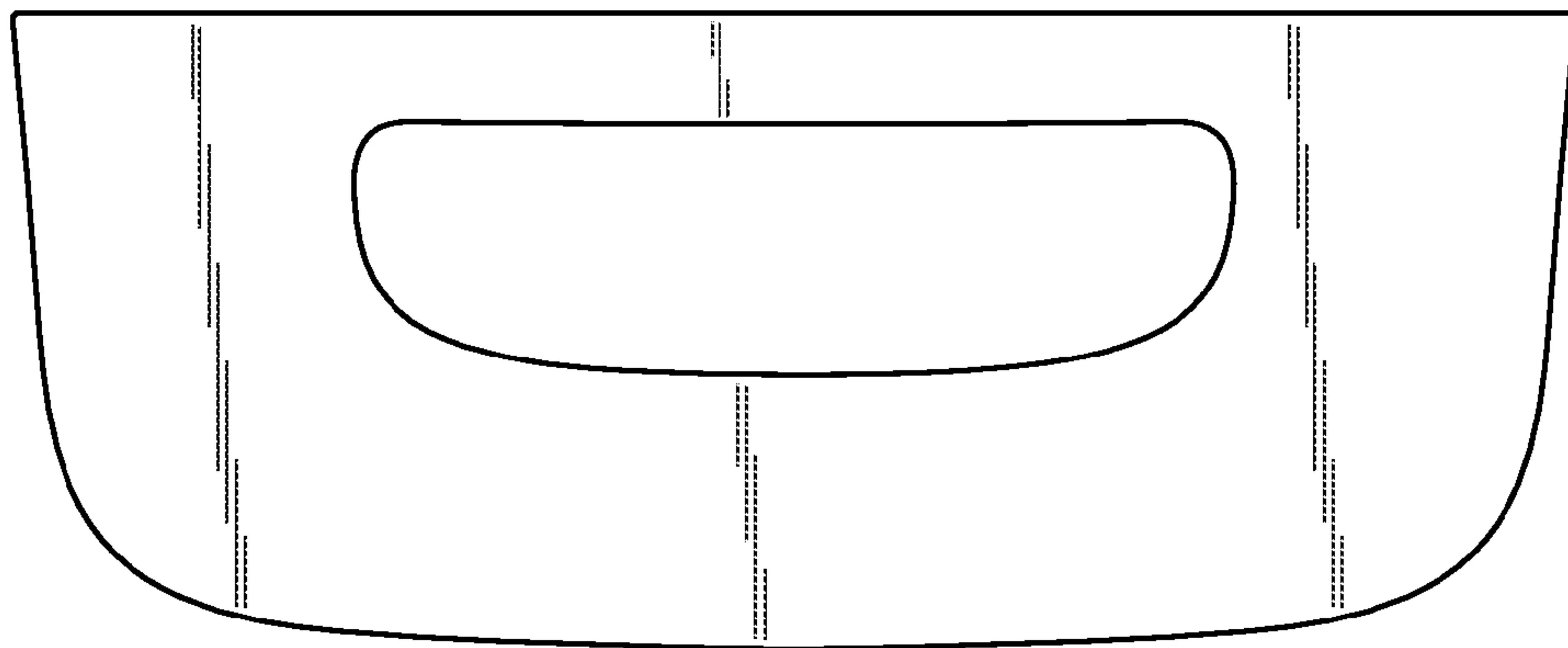


FIG. 5

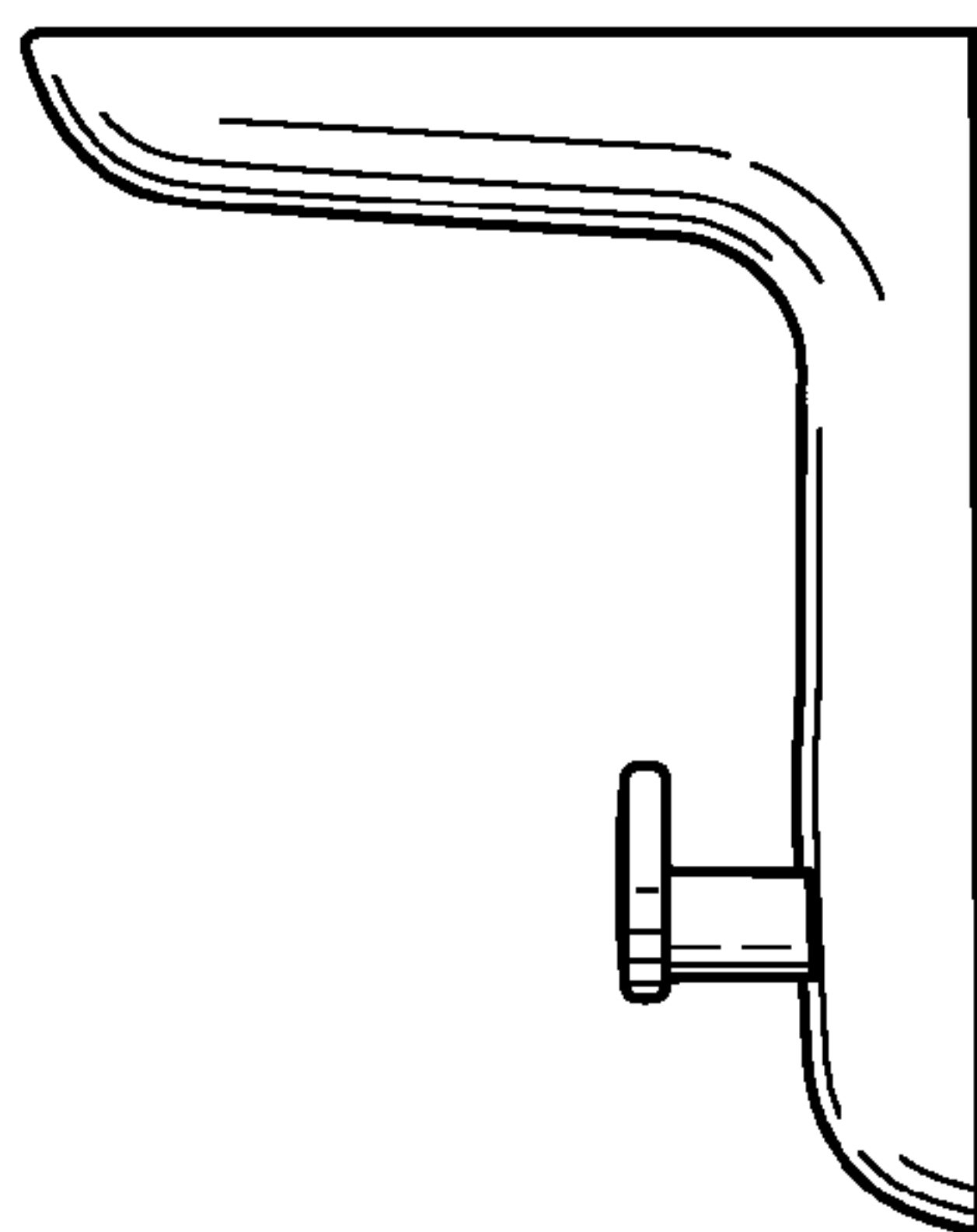


FIG. 6