



US00D592435S

(12) **United States Design Patent**
Jasman

(10) **Patent No.:** **US D592,435 S**
(45) **Date of Patent:** **** May 19, 2009**

(54) **GIFT WRAPPING STORAGE BOX WITH A DEPLOYABLE SHELF**

(76) Inventor: **Amy Jasman**, 2515 Glenbush Cir.,
Corona, CA (US) 92882

(**) Term: **14 Years**

(21) Appl. No.: **29/293,164**

(22) Filed: **Nov. 9, 2007**

(51) **LOC (9) Cl.** **06-04**

(52) **U.S. Cl.** **D6/555**

(58) **Field of Classification Search** D6/553,
D6/555, 567, 569; 312/114, 126, 128-129,
312/204, 231, 234, 242, 245; 211/13.1, 14,
211/88.01, 134, 126.1

See application file for complete search history.

(56) **References Cited**

U.S. PATENT DOCUMENTS

4,291,516	A	9/1981	Warner et al.	
D330,986	S *	11/1992	Lau	D6/555
D344,869	S *	3/1994	Paradis et al.	D6/555
5,480,080	A	1/1996	Ferguson	
D489,208	S *	5/2004	Noblet et al.	D6/555
6,749,097	B1	6/2004	McElhinny	
6,938,397	B2	9/2005	Miller	
7,118,001	B2	10/2006	Klein et al.	
D544,275	S *	6/2007	Tanus	D6/555

* cited by examiner

Primary Examiner—Brian N Vinson

(74) *Attorney, Agent, or Firm*—Kirk A. Buhler; Buhler & Associates

(57) **CLAIM**

The ornamental design of a gift wrapping storage box with a deployable shelf, as shown and described.

DESCRIPTION

FIG. 1 is a perspective view of a preferred embodiment.

FIG. 2 is a front view of a preferred embodiment with the shelf in the closed position.

FIG. 3 is a front view of a preferred embodiment with the shelf in the open position.

FIG. 4 is a right side view of a preferred embodiment with the shelf in the closed position where the left side view is a mirror image of this view.

FIG. 5 is a right side view of a preferred embodiment with the shelf in the open position where the left side view is a mirror image of this view.

FIG. 6 is a back view of a preferred embodiment where the position of the shelf is not visible in this view.

FIG. 7 is a back perspective view of a preferred embodiment with the shelf in the open position.

FIG. 8 is a top view of a preferred embodiment with the shelf in the closed position.

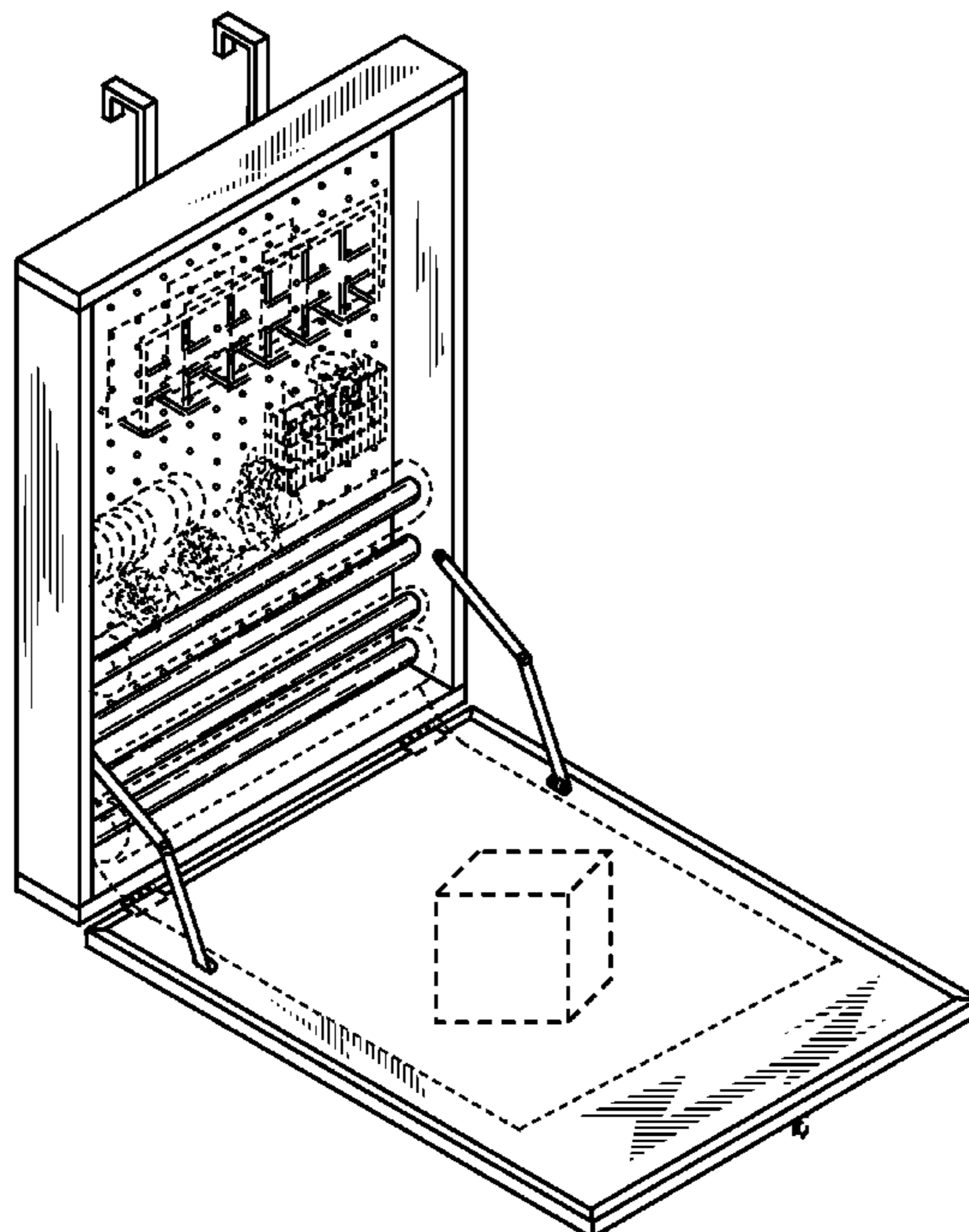
FIG. 9 is a top view of a preferred embodiment with the shelf in the open position.

FIG. 10 is a bottom view of a preferred embodiment with the shelf in the closed position; and,

FIG. 11 is a bottom view of a preferred embodiment with the shelf in the open position.

The broken lines in FIGS. 1-11 depict environmental subject matter only and form no part of the claimed design.

1 Claim, 6 Drawing Sheets



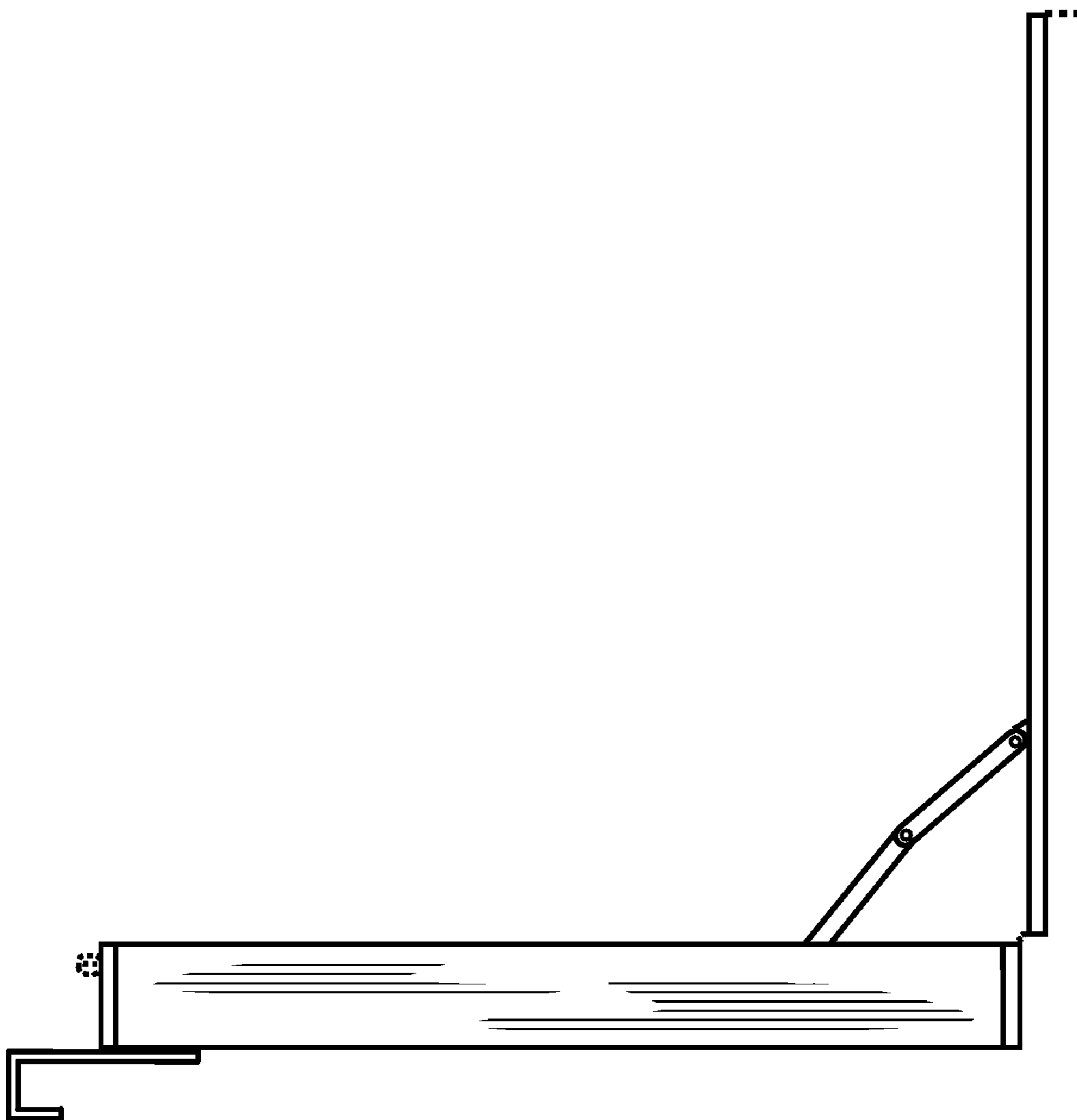


FIG. 4

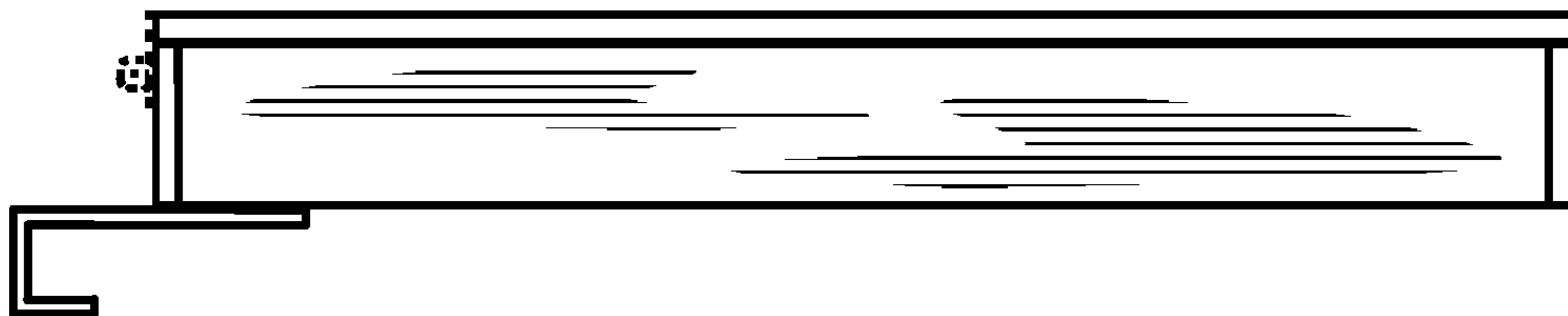


FIG. 5

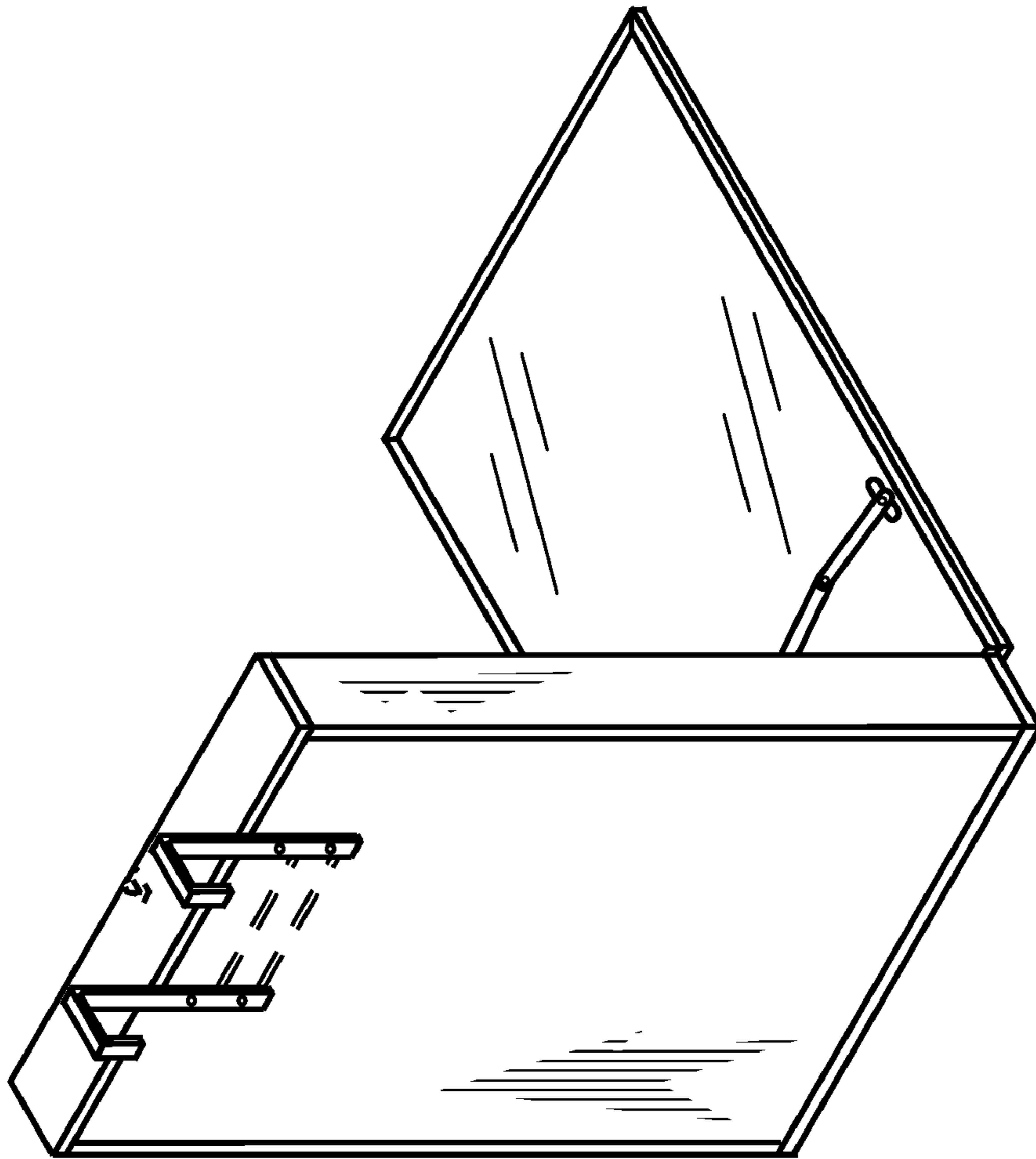


FIG. 7

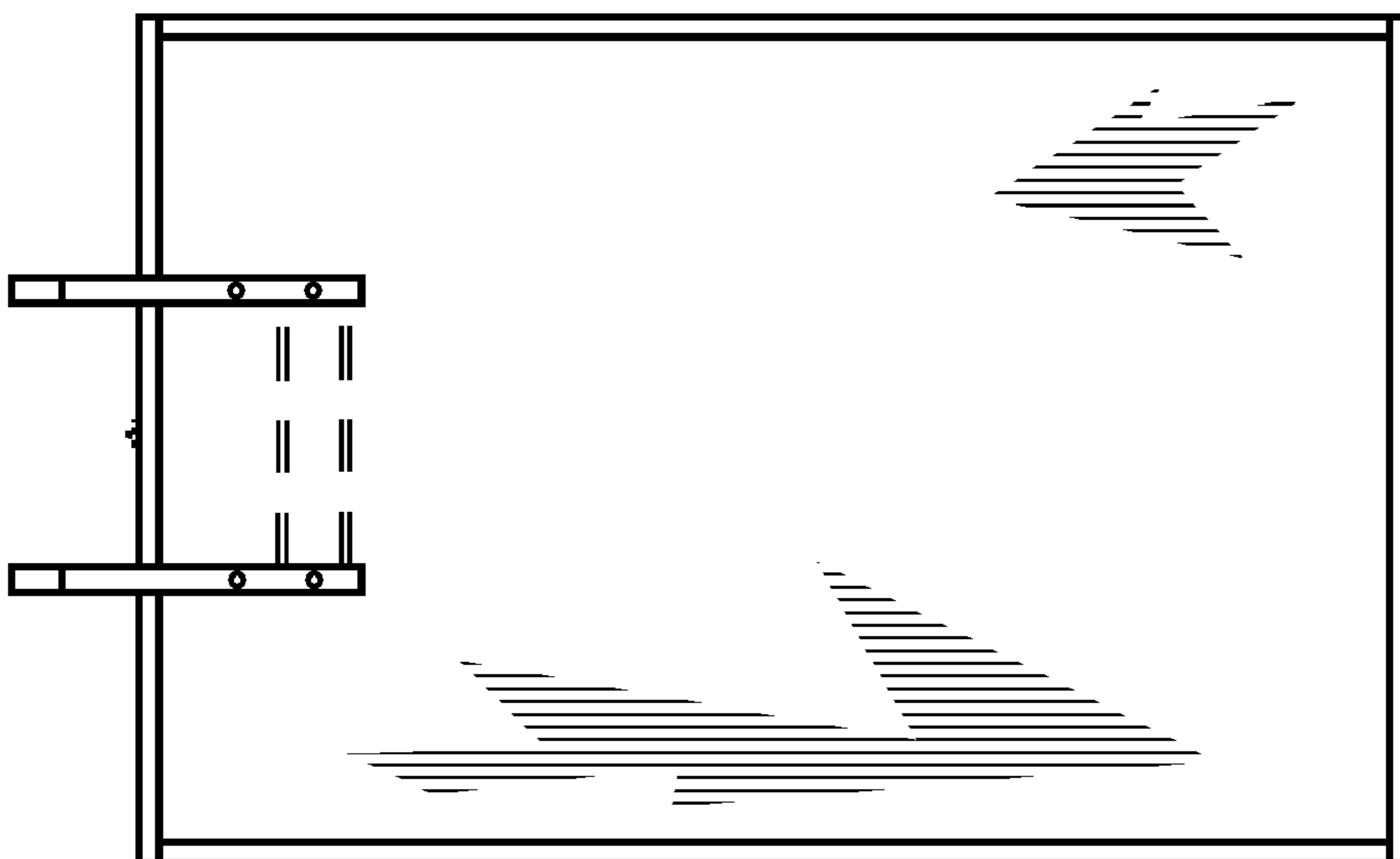


FIG. 6

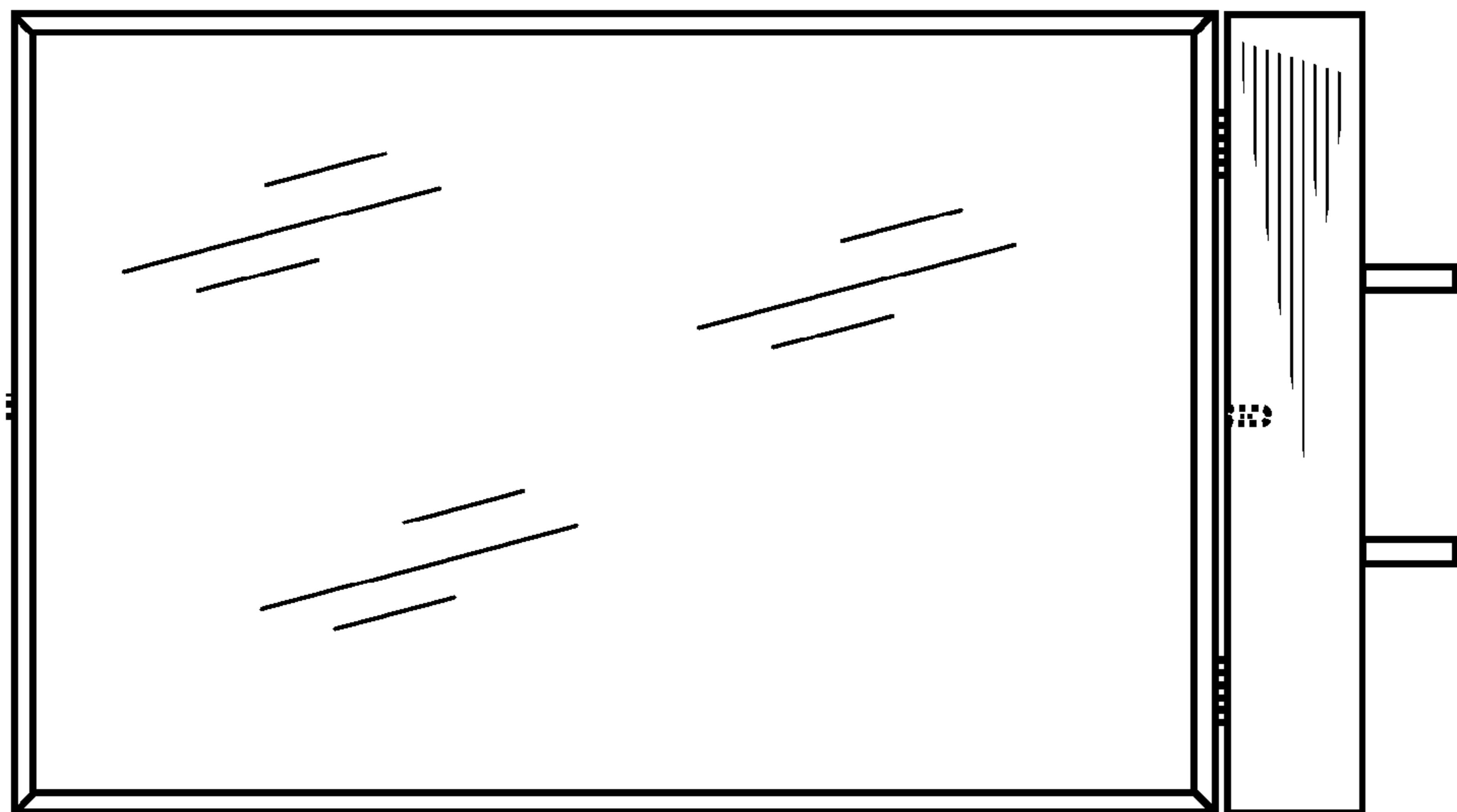


FIG. 9

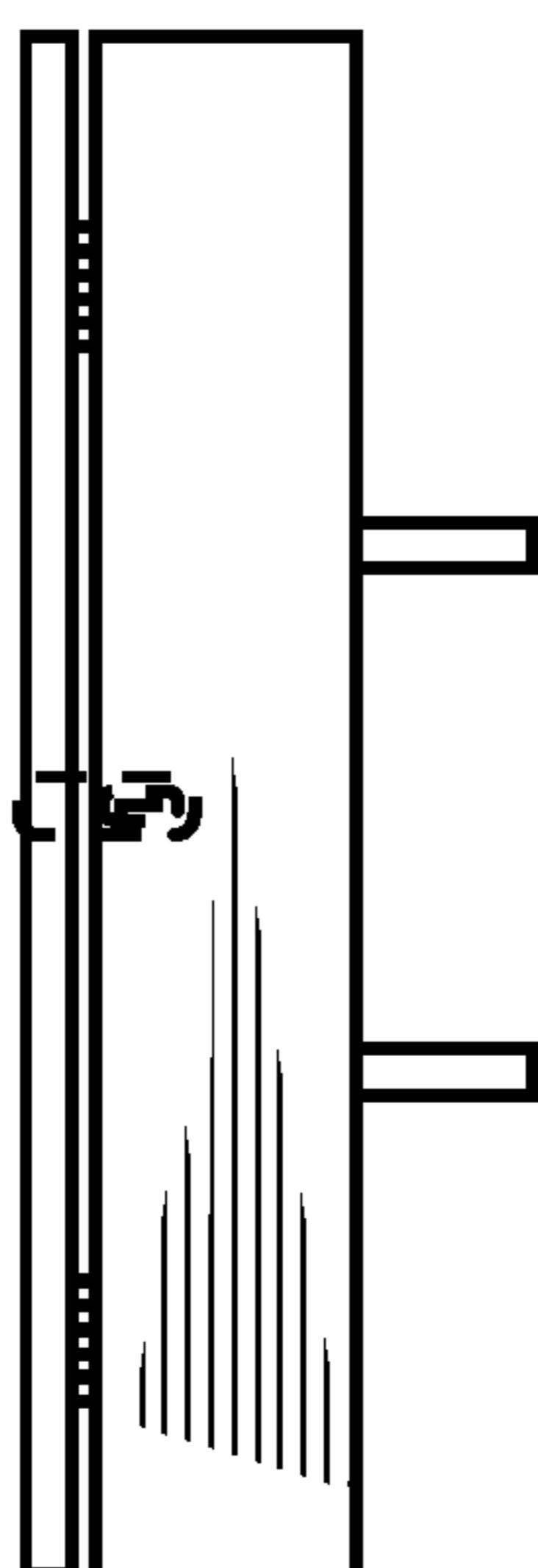


FIG. 8

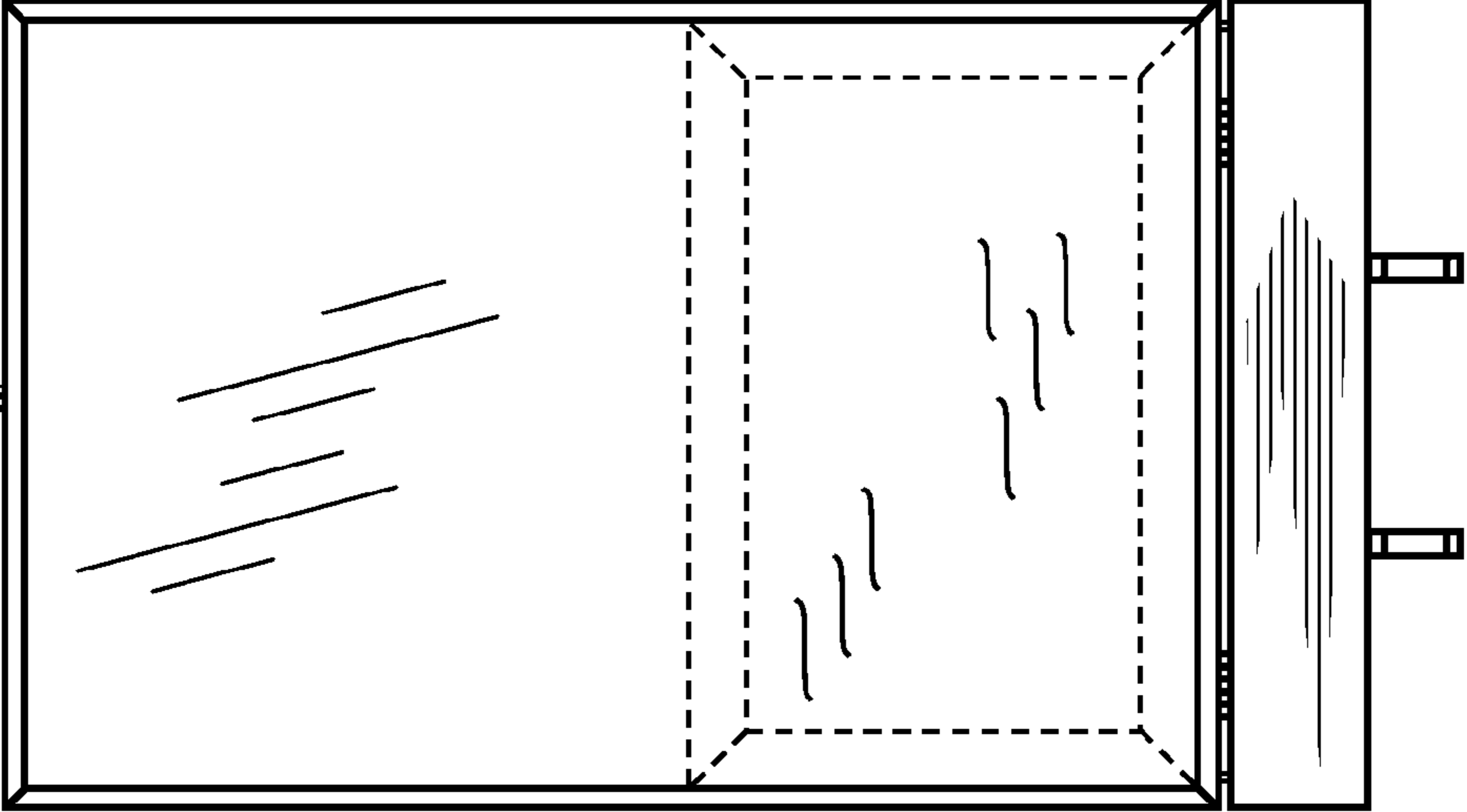


FIG. 11

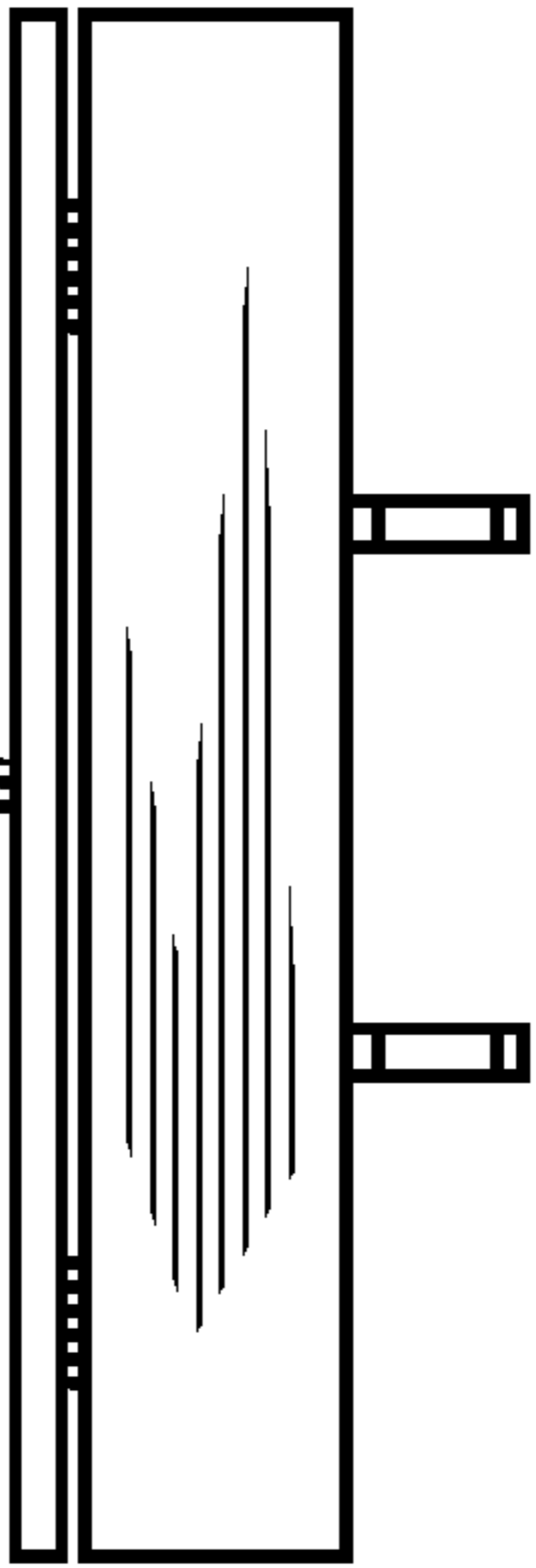


FIG. 10