

US00D592432S

(12) **United States Design Patent**
Sexton

(10) **Patent No.:** **US D592,432 S**

(45) **Date of Patent:** **** May 19, 2009**

(54) **FLAT SCREEN TV MOUNT**

(75) **Inventor:** **James S. Sexton**, San Ramon, CA (US)

(73) **Assignee:** **Z-Line Designs, Inc.**, San Ramon, CA (US)

(**) **Term:** **14 Years**

(21) **Appl. No.:** **29/318,884**

(22) **Filed:** **May 29, 2008**

(51) **LOC (9) Cl.** **06-06**

(52) **U.S. Cl.** **D6/510**

(58) **Field of Classification Search** D6/432-448,
D6/470-472, 477-479; 108/59; 211/41.41,
211/42, 74, 90.01, 133.1; 312/7.2, 9.1, 114,
312/117-118, 204, 224, 237, 251.1, 241,
312/278-279

See application file for complete search history.

(56) **References Cited**

U.S. PATENT DOCUMENTS

D458,053 S *	6/2002	Luong	D6/477
D508,171 S *	8/2005	Choo	D6/477
D522,773 S *	6/2006	Becker	D6/470
D554,393 S *	11/2007	Yalif	D6/470
D559,584 S *	1/2008	Zambelli	D6/436

D559,585 S *	1/2008	Lara	D6/436
D560,077 S *	1/2008	Zambelli	D6/436
D564,261 S *	3/2008	Sculler	D6/477
D564,796 S *	3/2008	Zambelli	D6/477

* cited by examiner

Primary Examiner—Caron Veynar

Assistant Examiner—Ricky Pham

(74) *Attorney, Agent, or Firm*—Townsend and Townsend and Crew LLP

(57) **CLAIM**

The ornamental design for a flat screen TV mount, as shown.

DESCRIPTION

FIG. 1 is a perspective view of a flat screen TV mount showing my new design;

FIG. 2 is a front elevational view thereof;

FIG. 3 is a rear elevational view thereof;

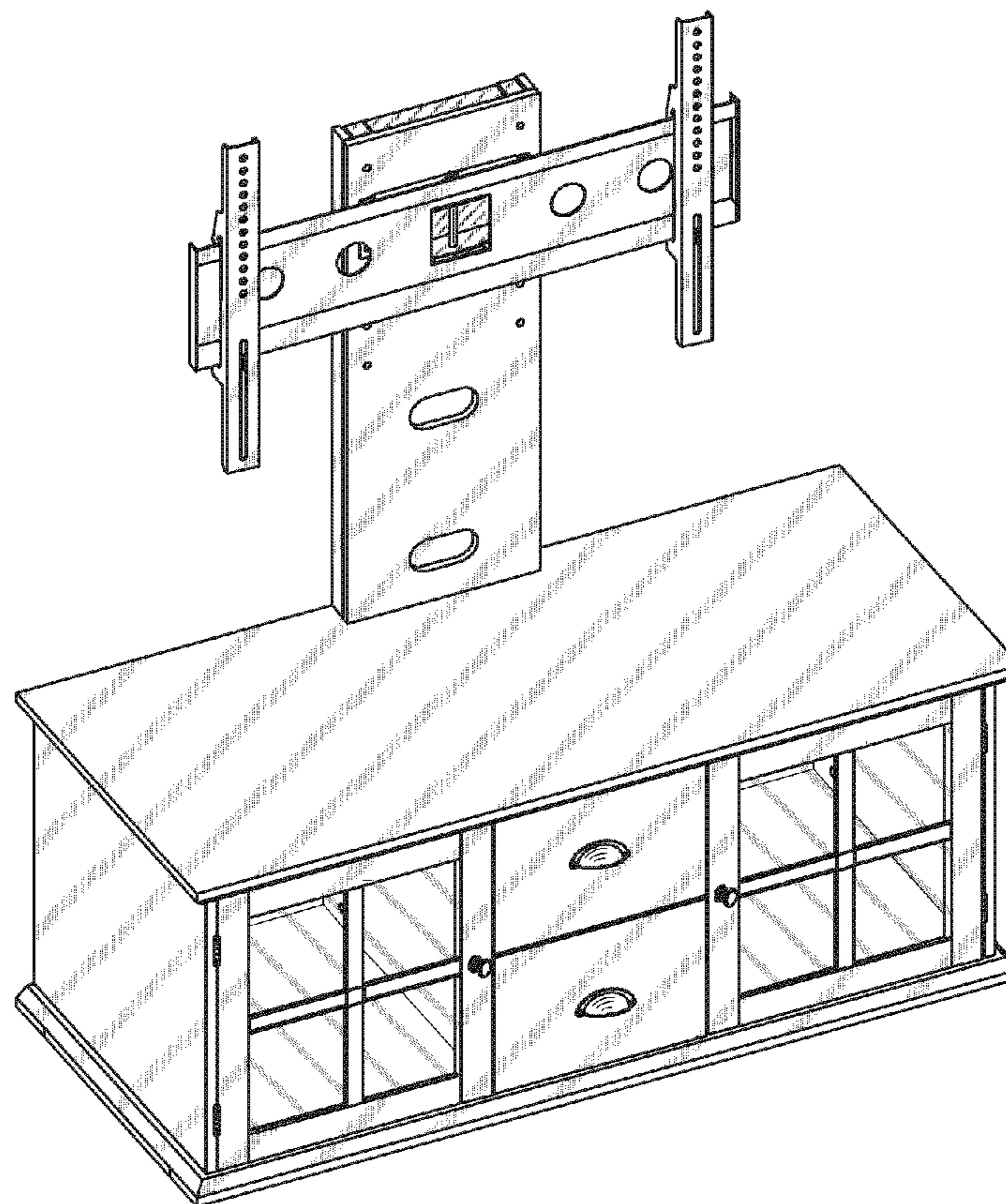
FIG. 4 is a left side elevational view thereof;

FIG. 5 is a right side elevational view thereof;

FIG. 6 is a top plan view thereof; and,

FIG. 7 is a bottom plan view thereof.

1 Claim, 5 Drawing Sheets



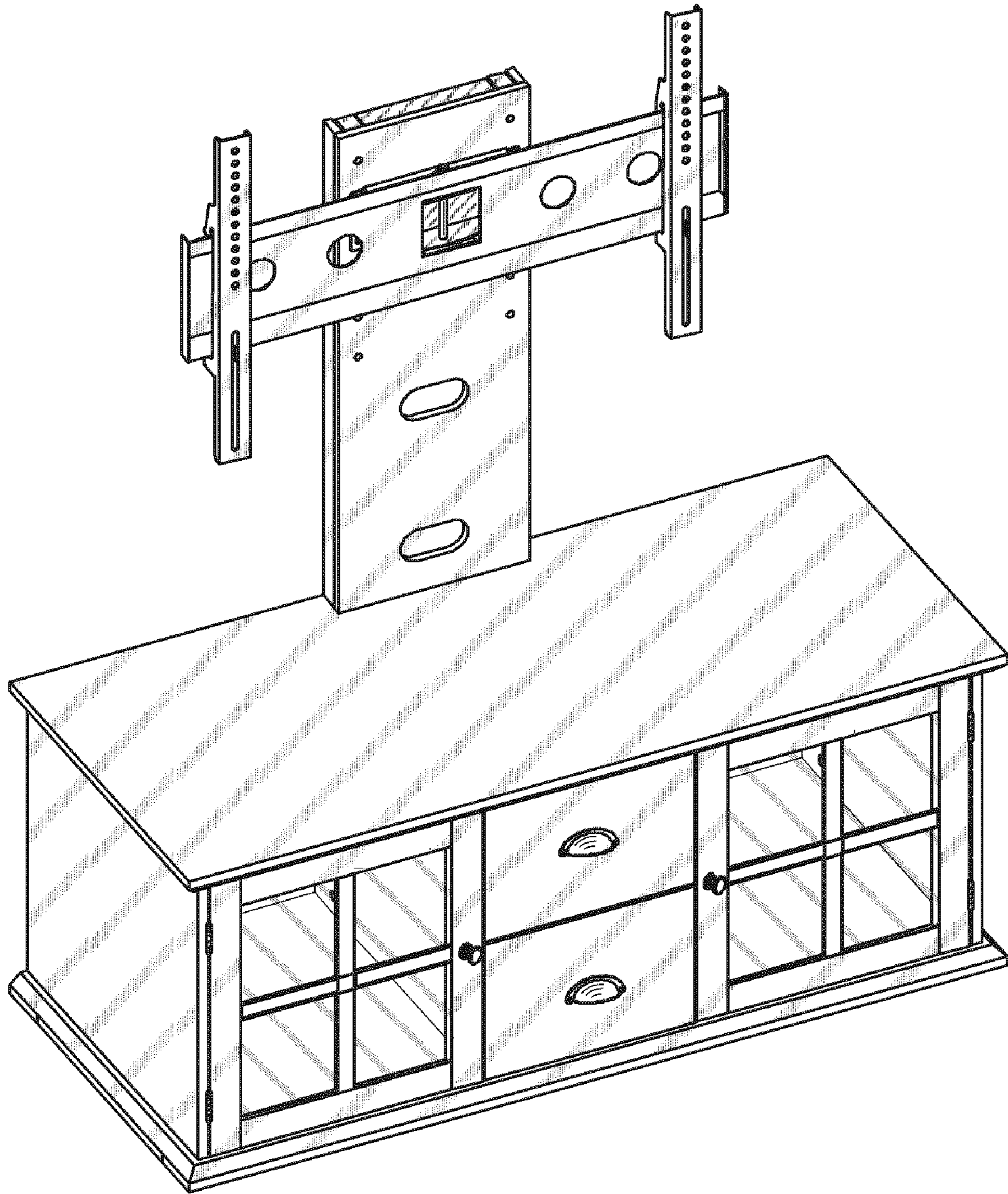


FIG. 1

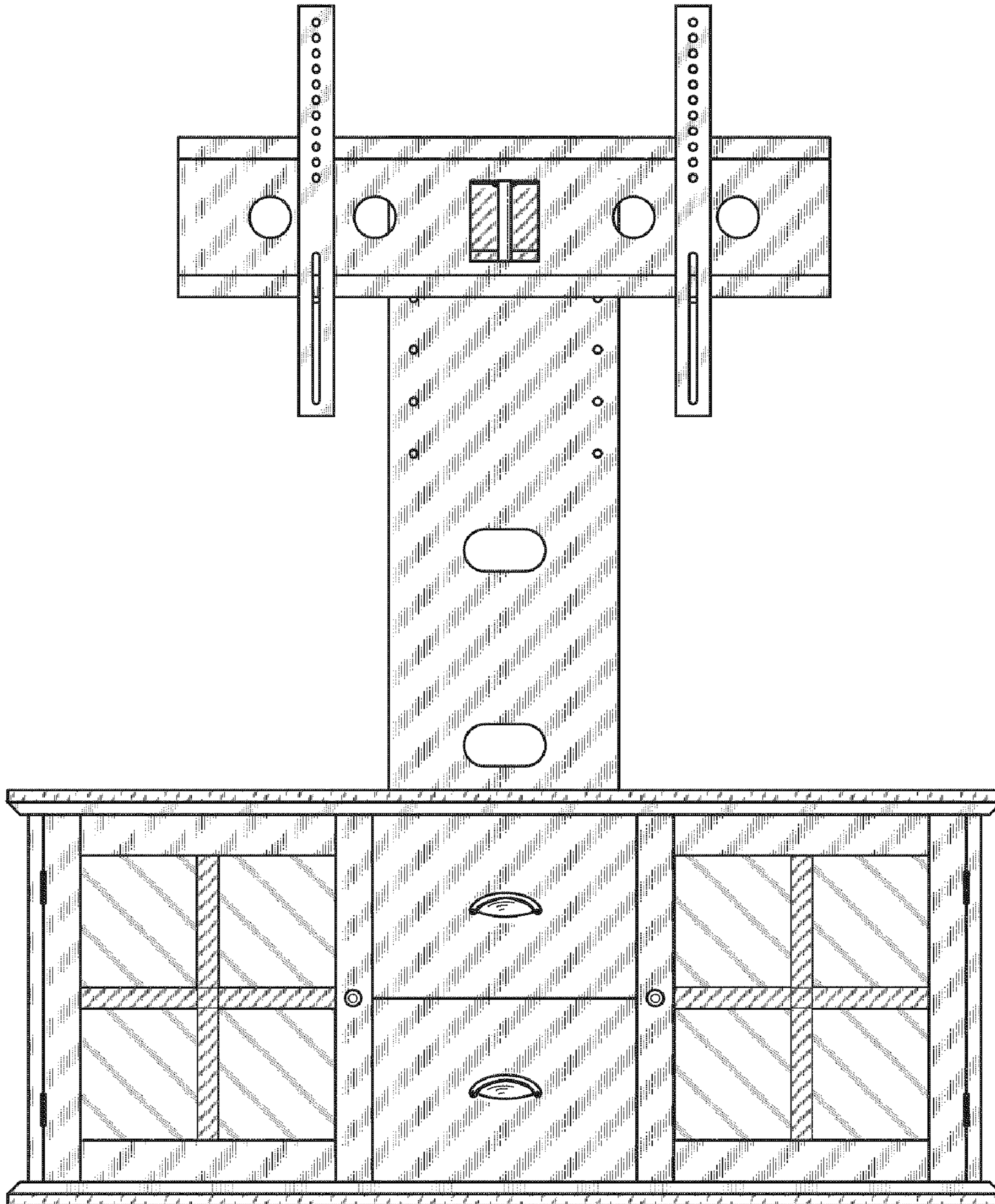


FIG. 2

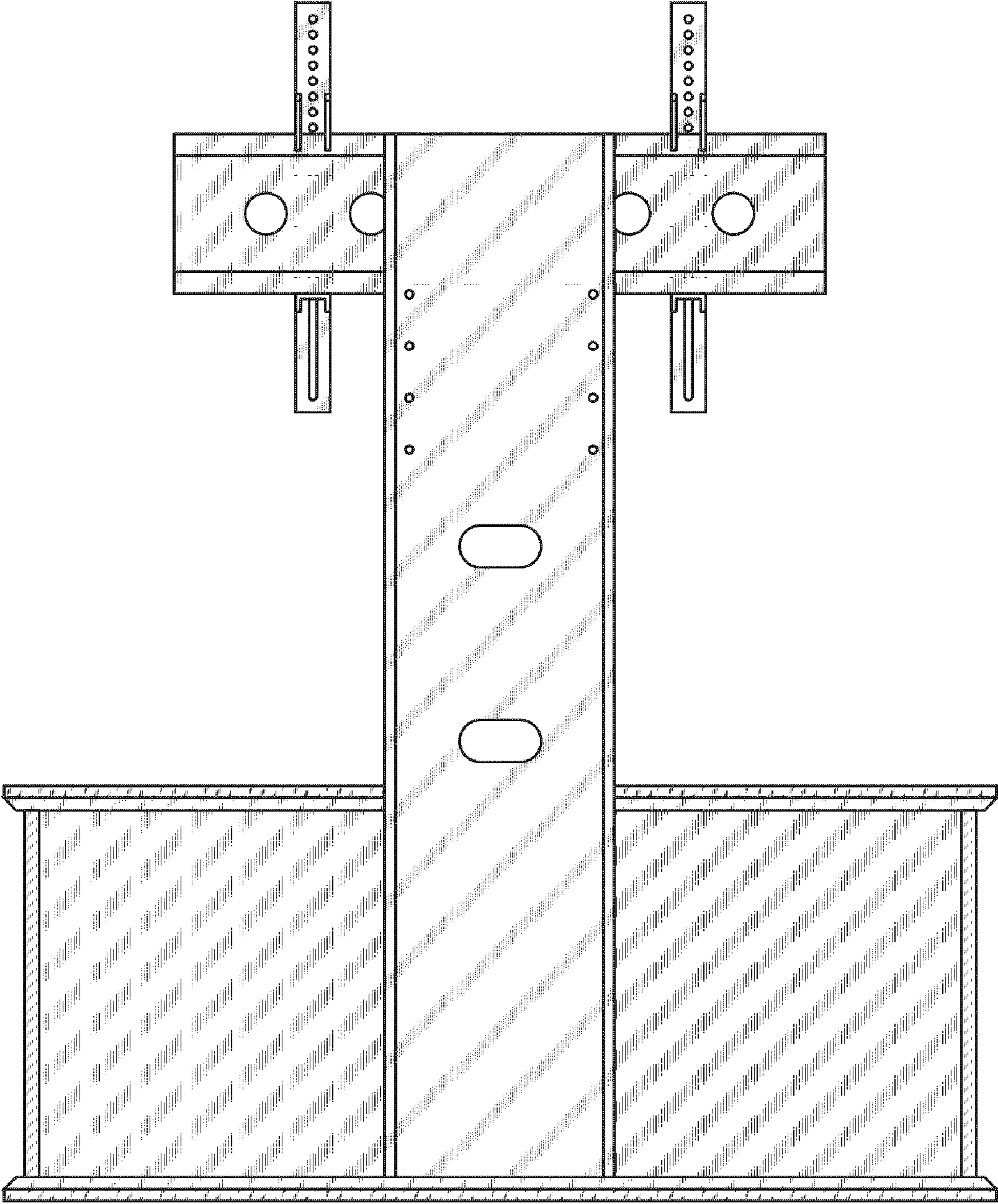


FIG. 3

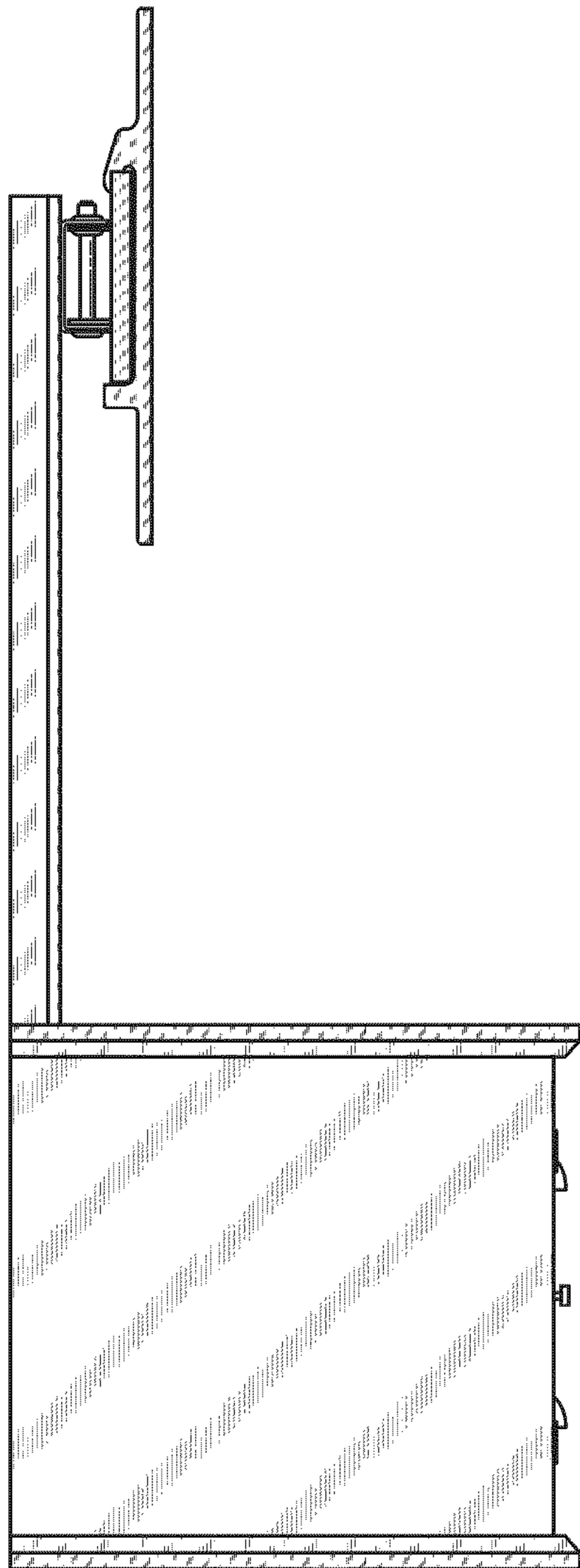


FIG. 4

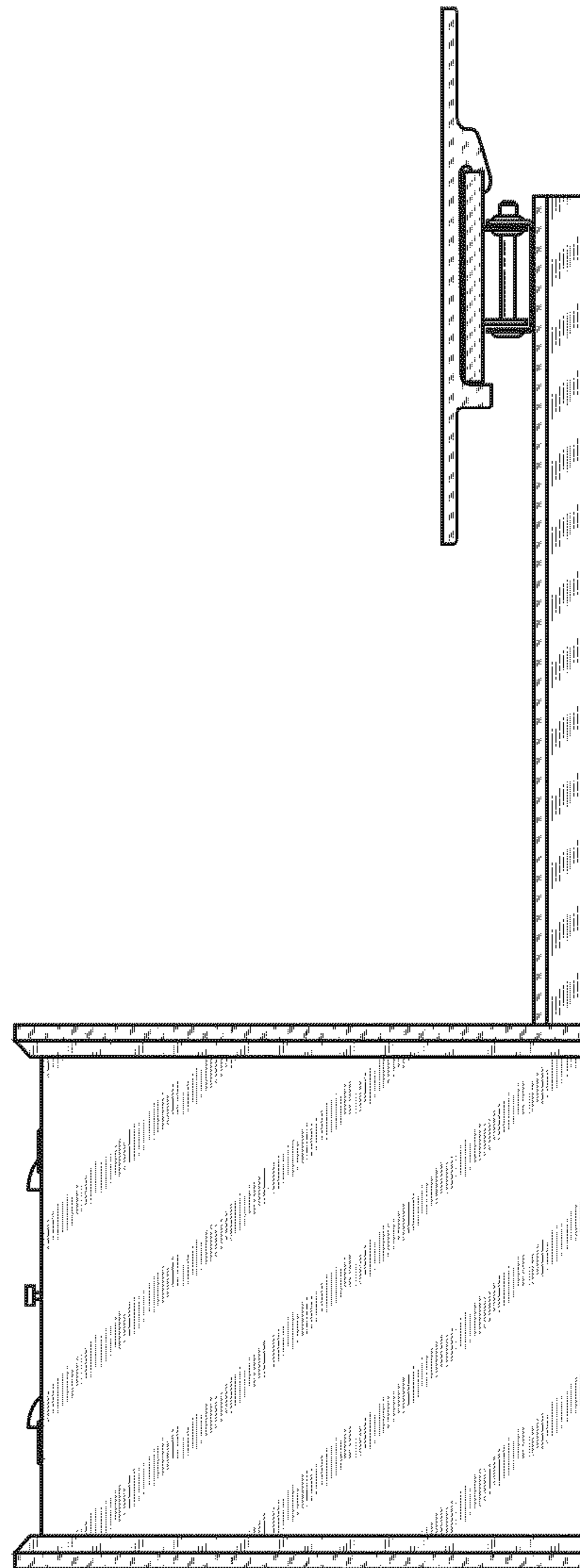


FIG. 5

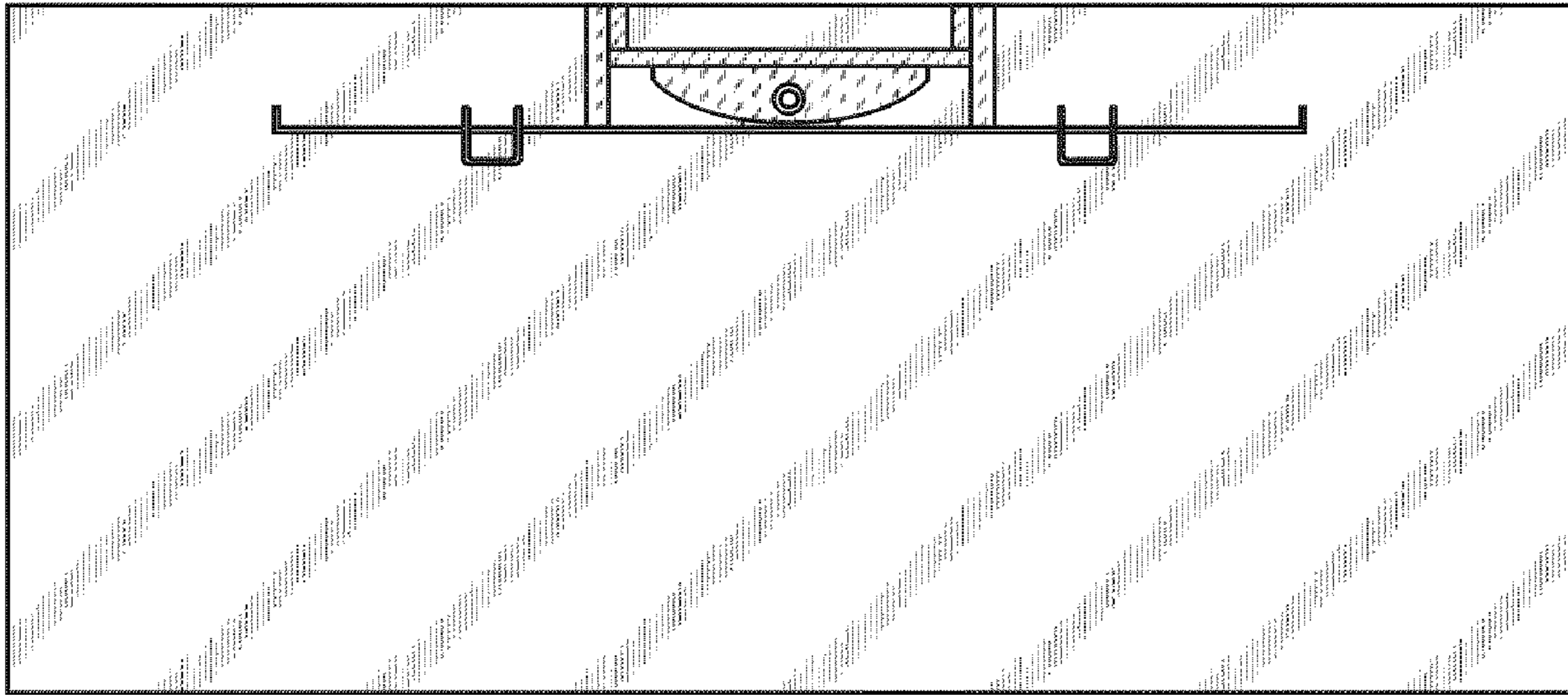


FIG. 6

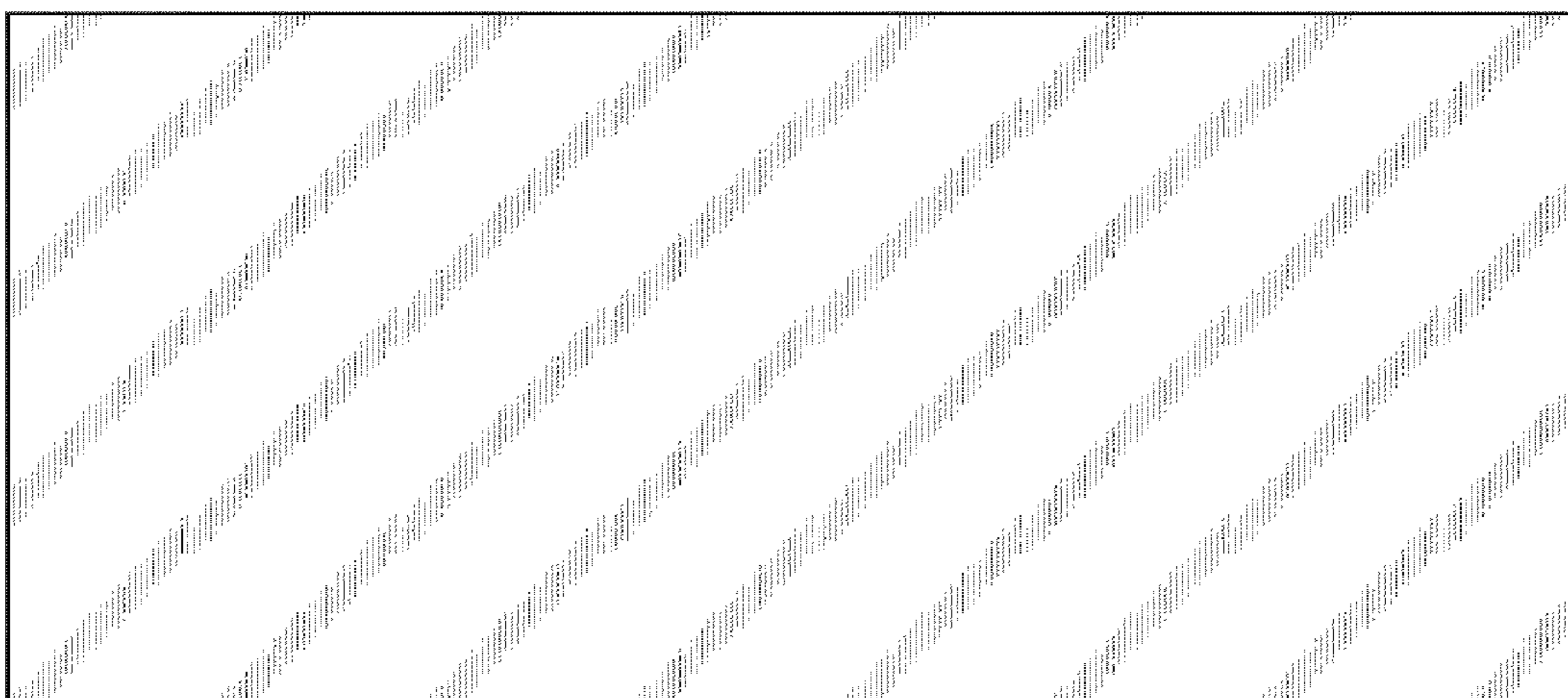


FIG. 7