



US00D592431S

(12) **United States Design Patent**
Zhang

(10) **Patent No.:** **US D592,431 S**

(45) **Date of Patent:** **** May 19, 2009**

(54) **CHAIR LEG ASSEMBLY WITH CLAW DESIGN**

D554,396 S * 11/2007 Yusuf et al. D6/498
D572,493 S * 7/2008 Zhang D6/366
D575,960 S * 9/2008 Su D6/366

(75) Inventor: **Weiqiang Zhang**, Shunde FoShan (CN)

* cited by examiner

(73) Assignee: **IGO Furniture (Foshan) Ltd.** (CN)

Primary Examiner—Mimosa De
(74) *Attorney, Agent, or Firm*—Hayes Soloway P.C.

(**) Term: **14 Years**

(21) Appl. No.: **29/320,468**

(57) **CLAIM**

(22) Filed: **Jun. 27, 2008**

I claim the ornamental design for a chair leg assembly with claw design, as shown and described.

(30) **Foreign Application Priority Data**

Jan. 25, 2008 (CN) 2008 3 0040776

DESCRIPTION

(51) **LOC (9) Cl.** **06-01**

FIG. 1 is a perspective view of the chair leg assembly with claw design showing my new design;

(52) **U.S. Cl.** **D6/498**

FIG. 2 is a top plan view thereof;

(58) **Field of Classification Search** D6/334-336,
D6/364, 365, 366, 367, 498, 500-502; 248/188.7;
297/344.18, 358, 411.2, 411.28, 463.1
See application file for complete search history.

FIG. 3 is a bottom plan view thereof;

FIG. 4 is a rear elevational view thereof;

FIG. 5 is a front elevational view thereof;

(56) **References Cited**

U.S. PATENT DOCUMENTS

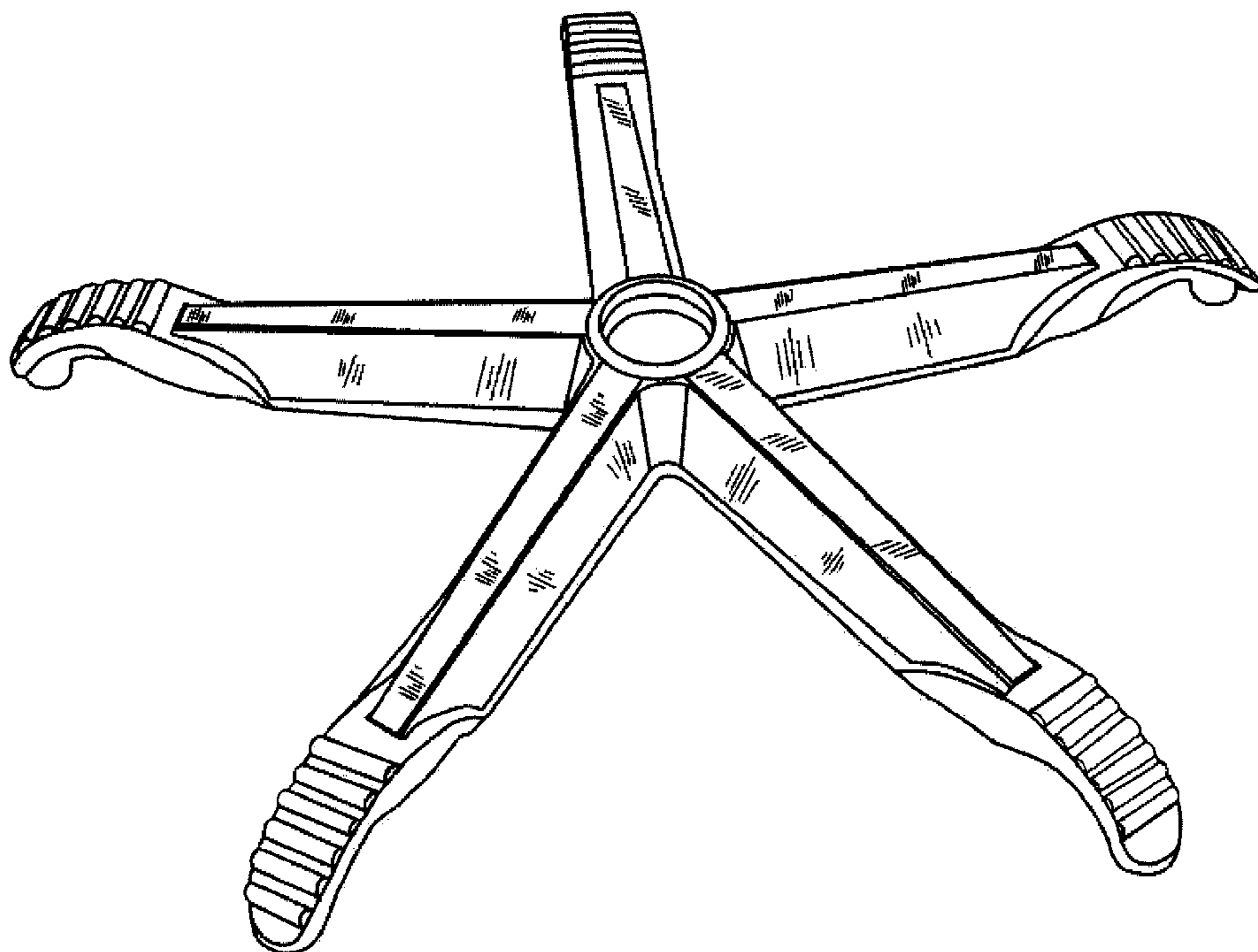
D276,766 S * 12/1984 Truette D6/366
D449,457 S * 10/2001 Su D6/366
D451,293 S * 12/2001 Su D6/366
D456,185 S * 4/2002 Su D6/498
D477,469 S * 7/2003 Brooks D6/366
D509,387 S * 9/2005 Chen D6/498
D544,733 S * 6/2007 Mazzera D6/498
D551,867 S * 10/2007 Yusuf D6/366

FIG. 6 is a left elevational view thereof; the right elevational view being a mirror image of the left elevational view; and,

FIG. 7 is a perspective view of the chair leg assembly with claw design shown in use with a chair and wheels which are shown in broken lines for illustrative purposes only and form no part of the claimed design.

The broken lines are for illustrative purposes only and form no part of the claimed design.

1 Claim, 7 Drawing Sheets



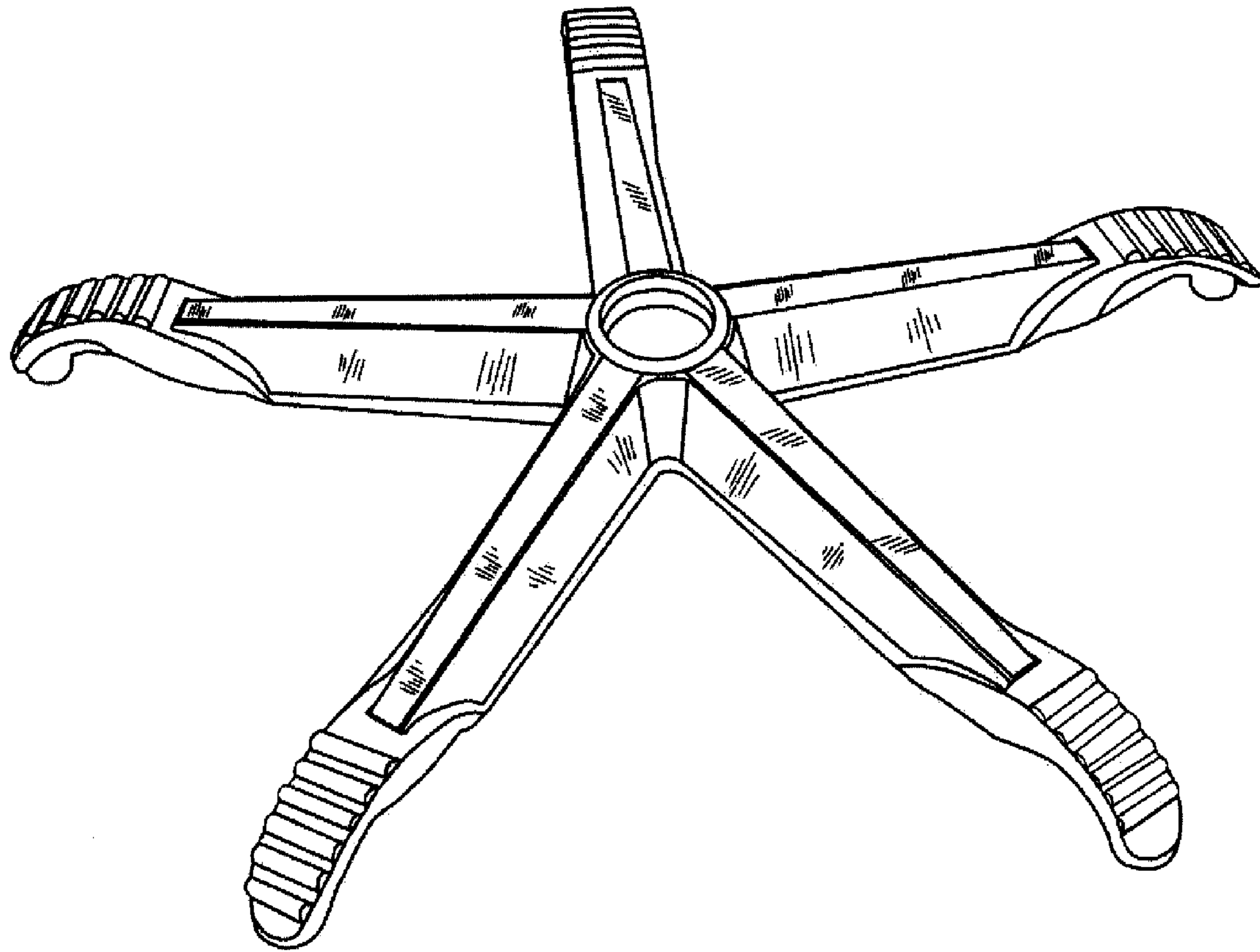


FIG. 1

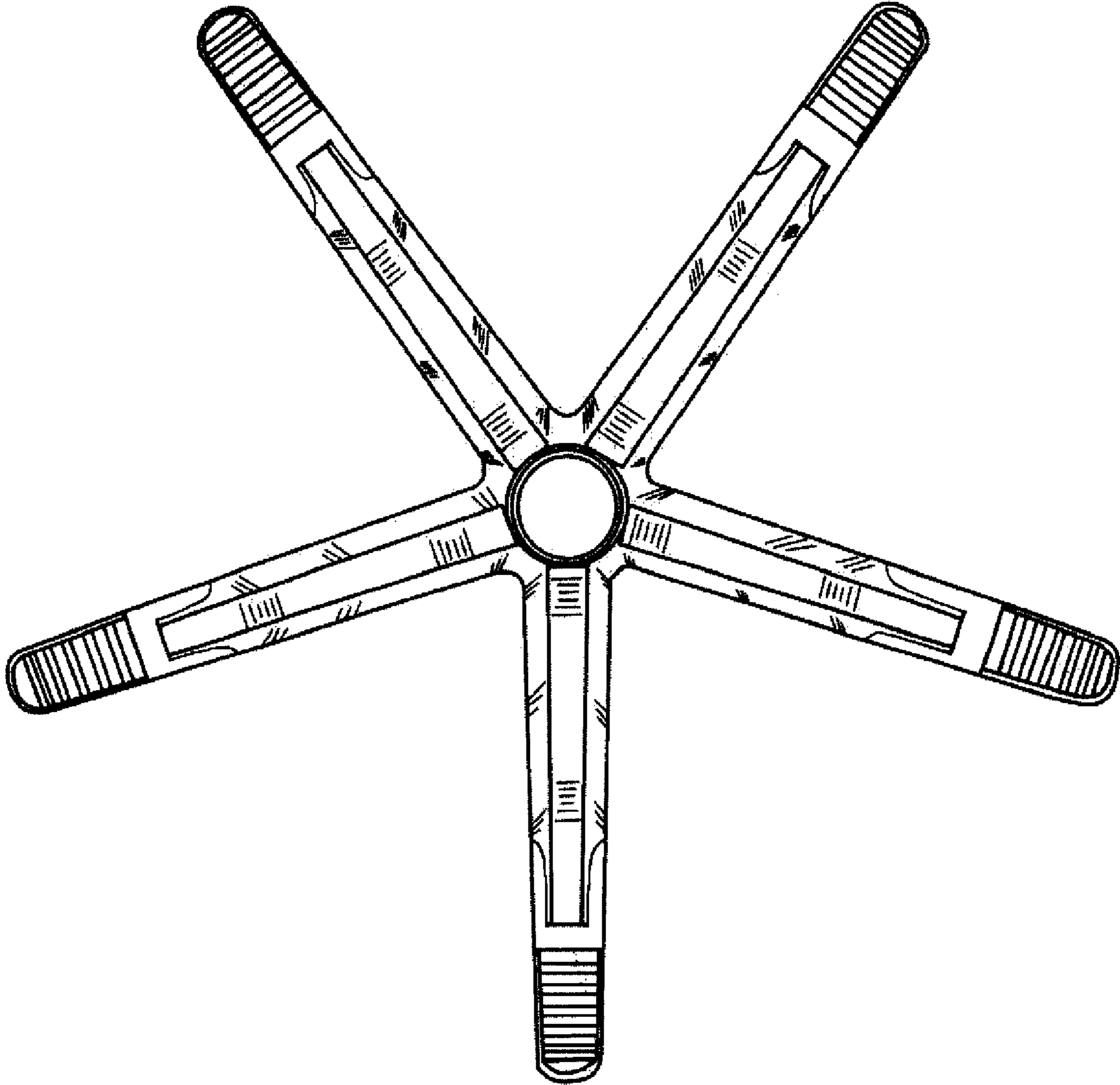


FIG. 2

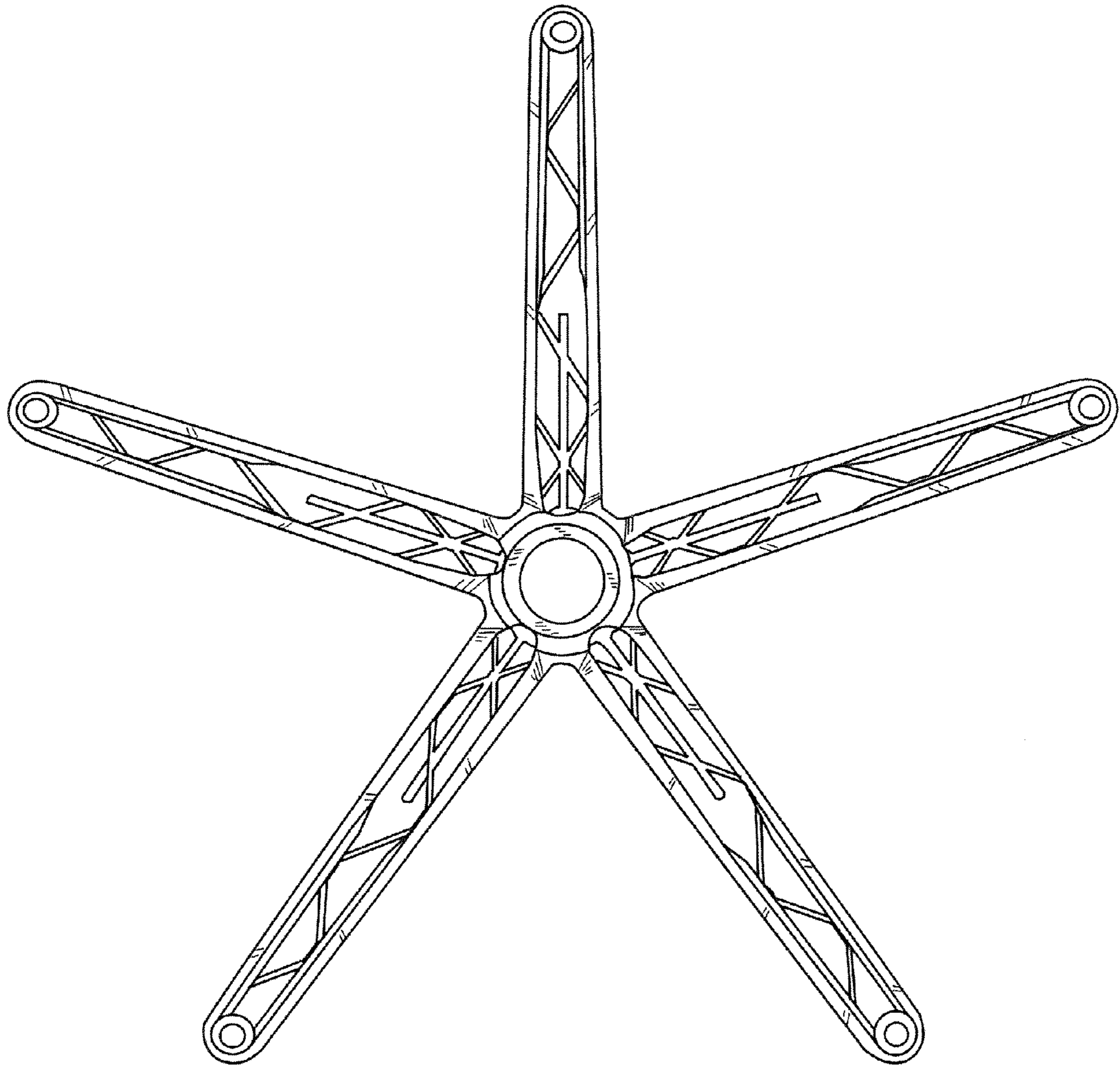


FIG. 3

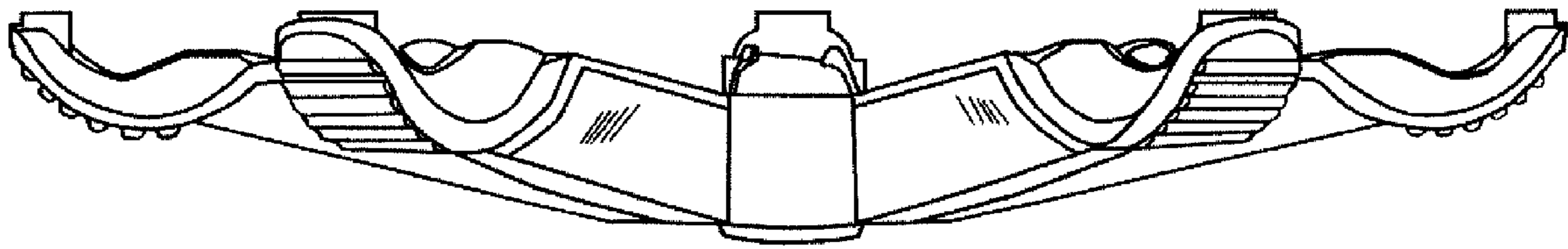


FIG. 4

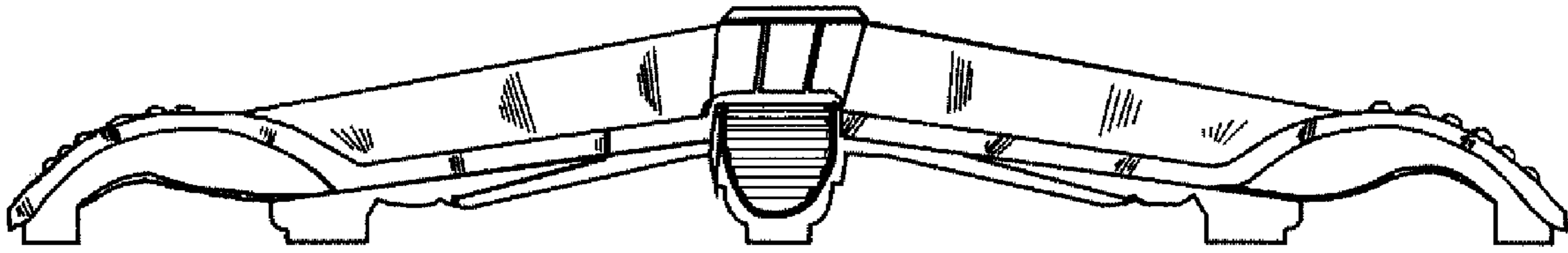


FIG. 5

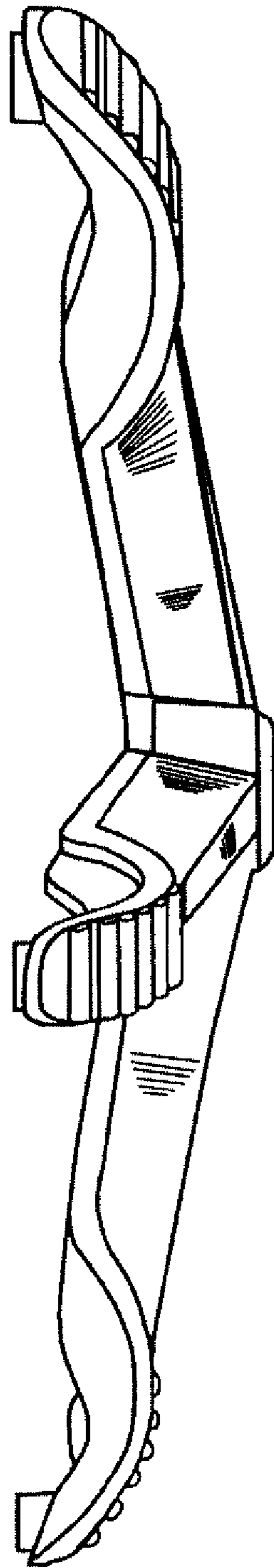


FIG. 6

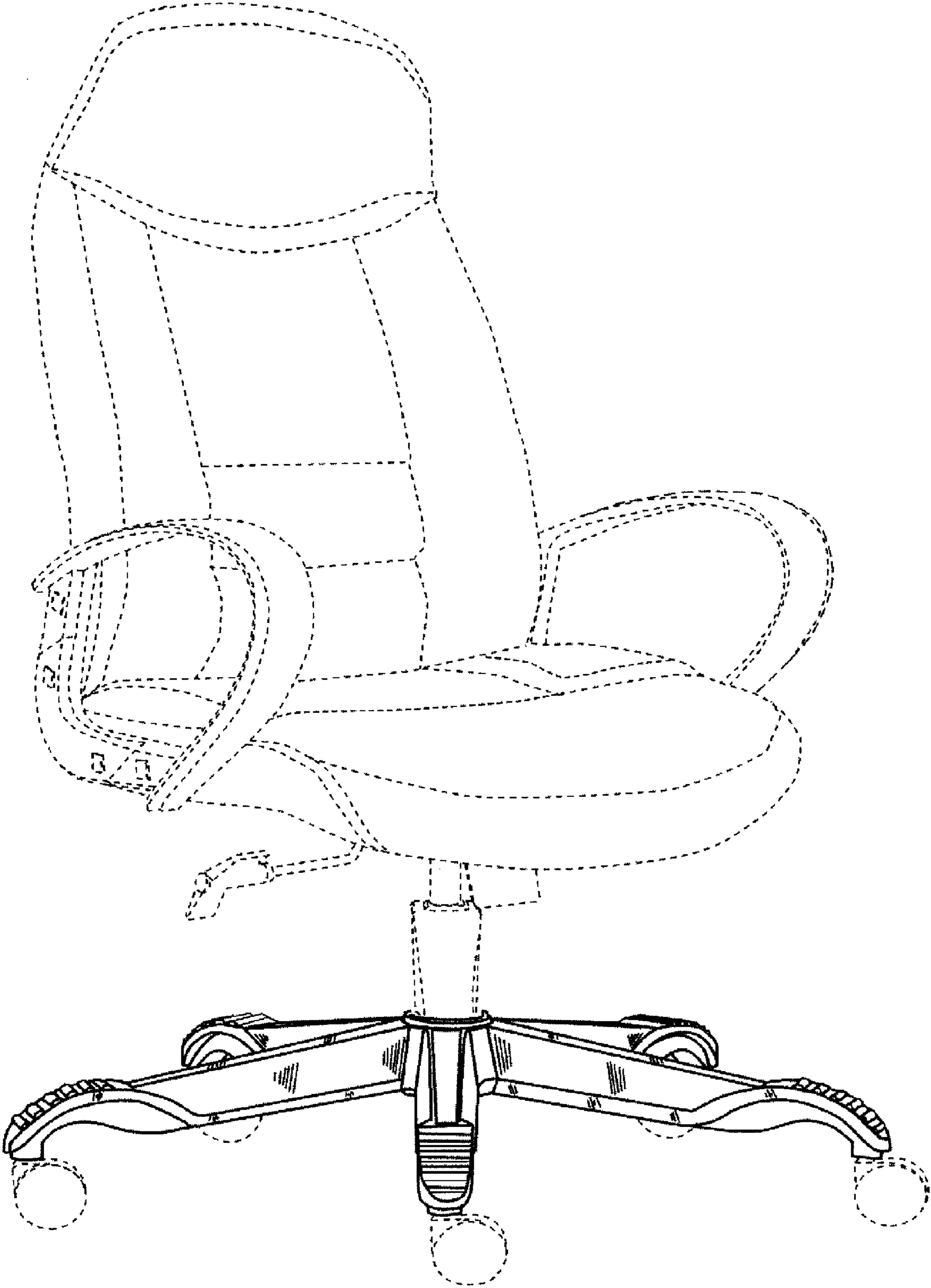


FIG. 7