



US00D592430S

(12) **United States Design Patent**
Trawick et al.

(10) **Patent No.:** **US D592,430 S**
(45) **Date of Patent:** **** May 19, 2009**

(54) **DUAL SEAT PEDESTAL CONVERSION FOR A SINGLE SEAT PEDESTAL RECEPTACLE**

(76) Inventors: **Jackie Lee Trawick**, 20 Utley La.,
Atwood, TN (US) 38220; **Wayne David Bryant, Jr.**, 25 Foster St., Trezvant, TN
(US) 38258

(**) Term: **14 Years**

(21) Appl. No.: **29/312,452**

(22) Filed: **Oct. 21, 2008**

(51) **LOC (9) Cl.** **06-01**

(52) **U.S. Cl.** **D6/495**

(58) **Field of Classification Search** D6/334-336,
D6/349, 355, 360, 364, 370, 373, 374, 375,
D6/376, 379, 380, 381, 425, 429, 430, 431,
D6/491, 495, 500-502; 297/171, 172, 158.3,
297/158.5, 232; 108/144.11, 147; 248/161,
248/404

See application file for complete search history.

(56) **References Cited**

U.S. PATENT DOCUMENTS

D147,414 S * 9/1947 Maynard et al. D6/425
D345,469 S * 3/1994 Wirth D6/355

5,470,128 A * 11/1995 Kerkham 297/232
D364,978 S * 12/1995 Smith D6/431
5,758,586 A * 6/1998 Kieser et al. 108/147
6,474,246 B2 * 11/2002 Hsu 108/147
D503,552 S * 4/2005 Messier D6/355

* cited by examiner

Primary Examiner—Mimosa De

(74) *Attorney, Agent, or Firm*—David D. Winters

(57) **CLAIM**

The ornamental design for “dual seat pedestal conversion for a single seat pedestal receptacle,” as shown and described.

DESCRIPTION

FIG. 1 is a perspective view of the dual seat pedestal conversion for a single seat pedestal receptacle showing my new design.

FIG. 2 is a front view thereof.

FIG. 3 is a rear view thereof.

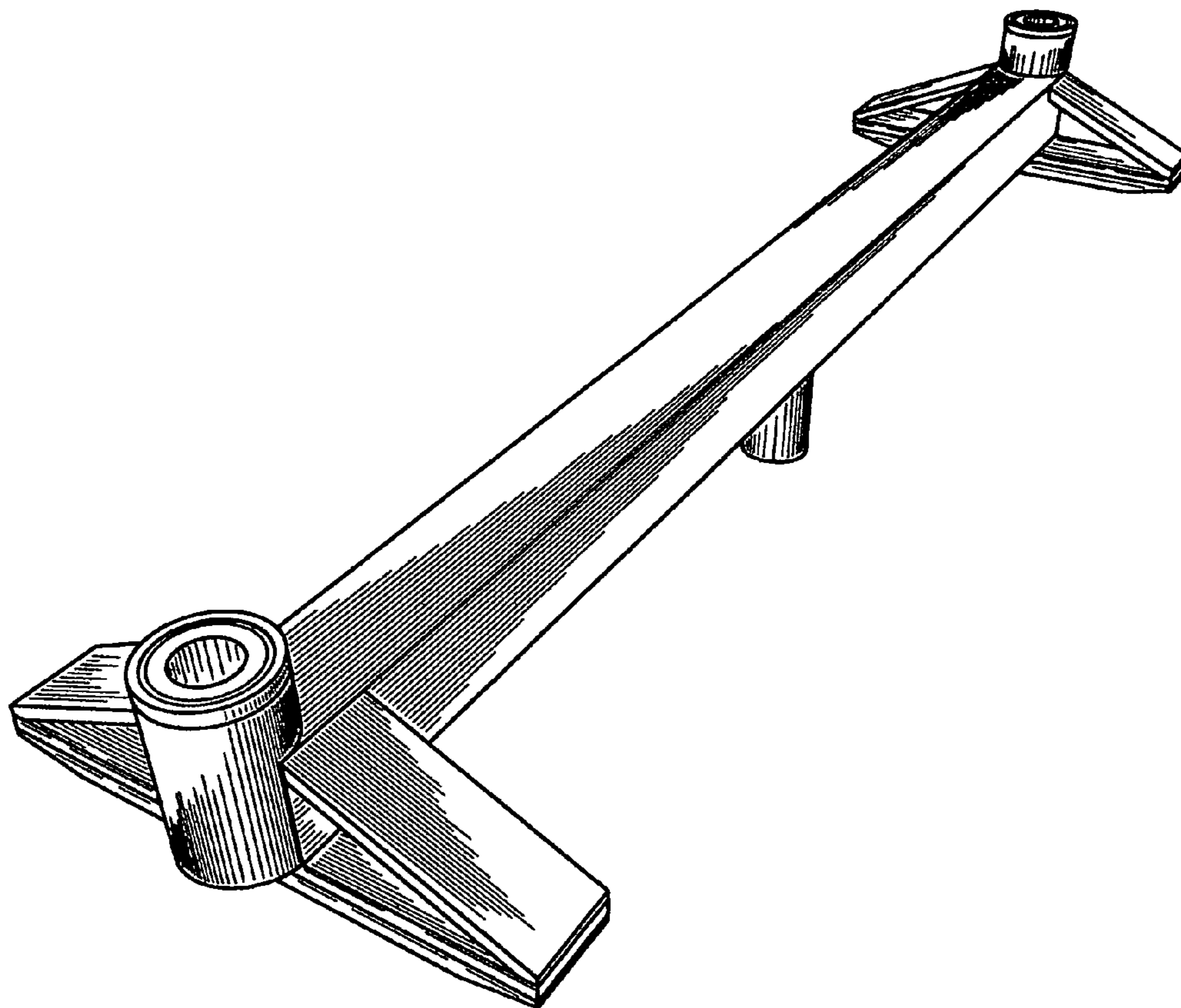
FIG. 4 is a left side view thereof.

FIG. 5 is a right side view thereof.

FIG. 6 is a top plan view thereof; and,

FIG. 7 is a bottom view thereof.

1 Claim, 2 Drawing Sheets



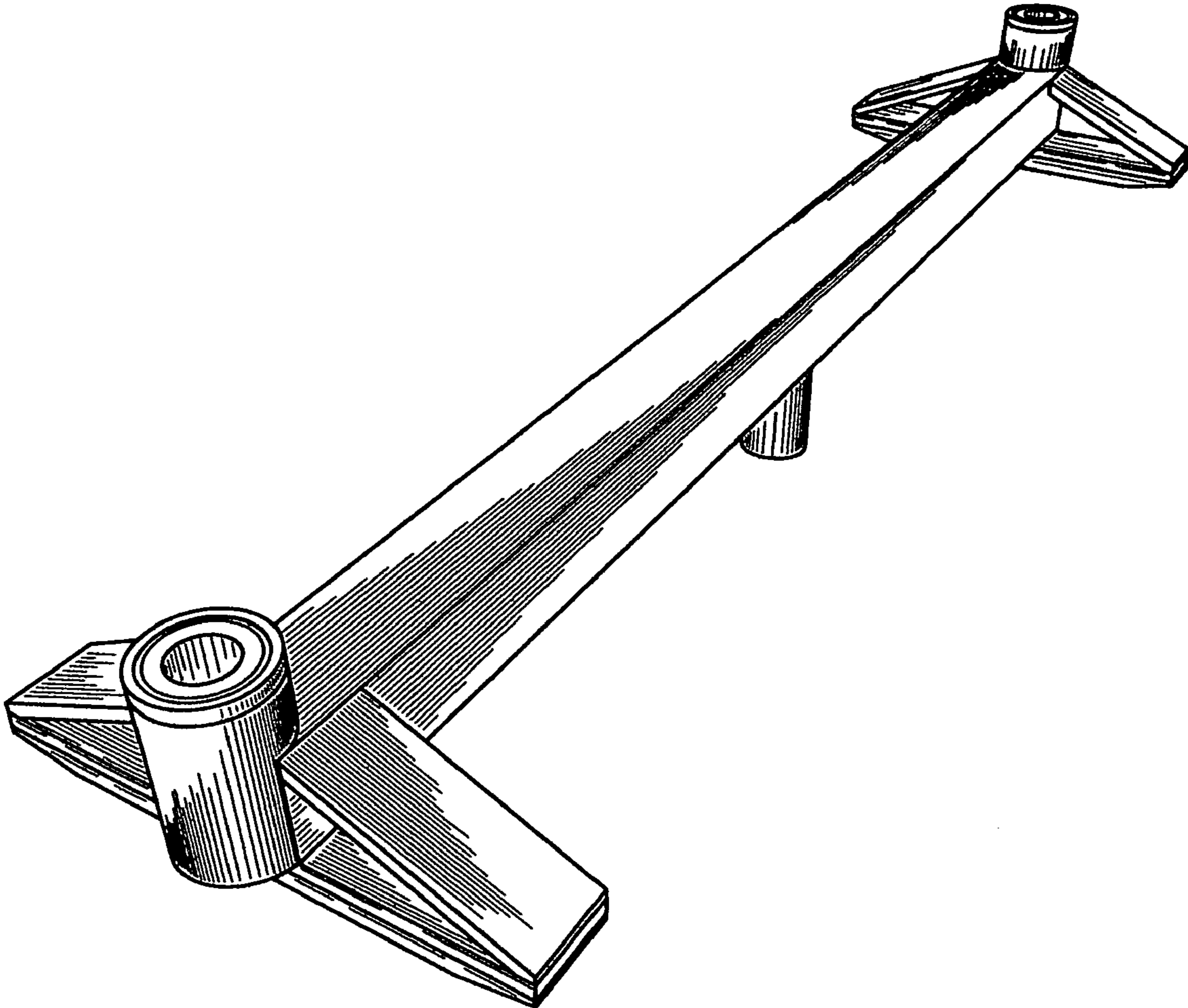


FIG. 1

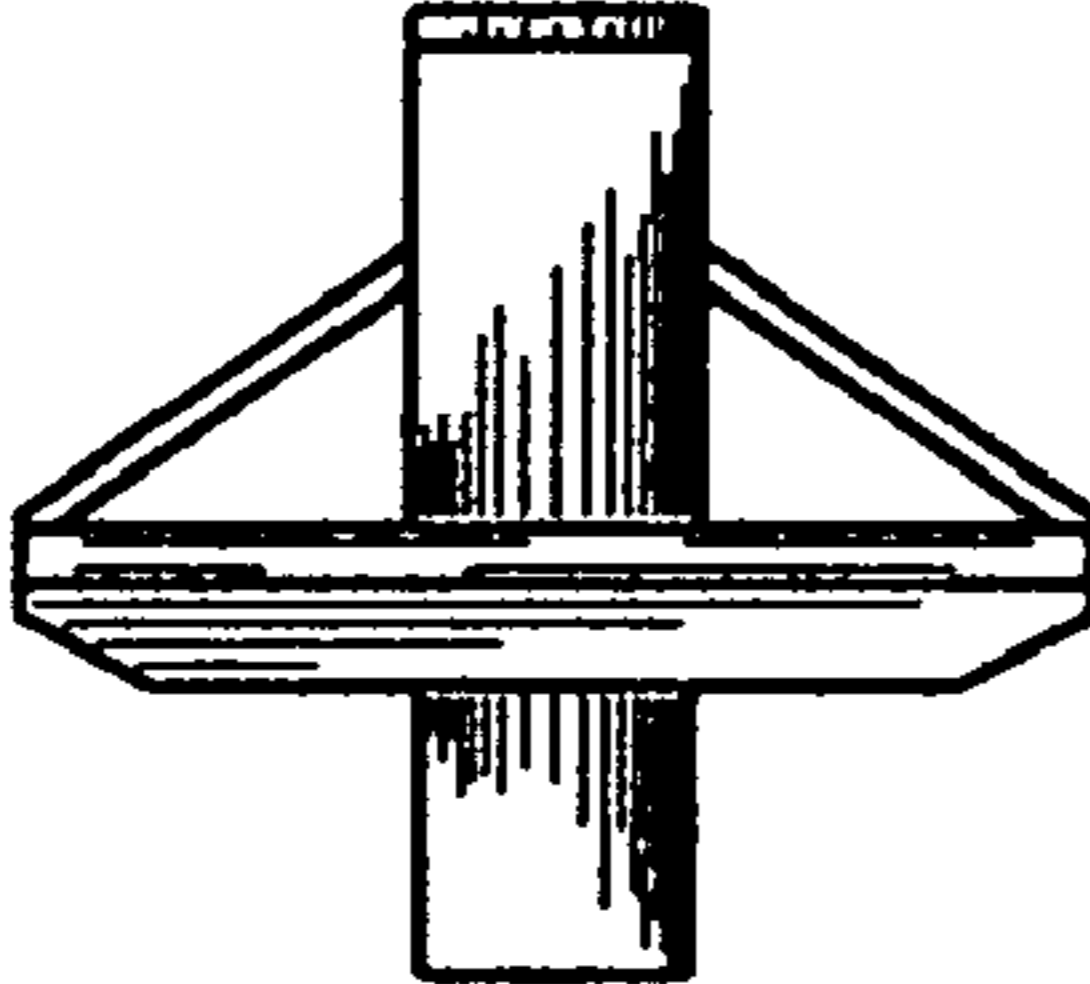


FIG. 2

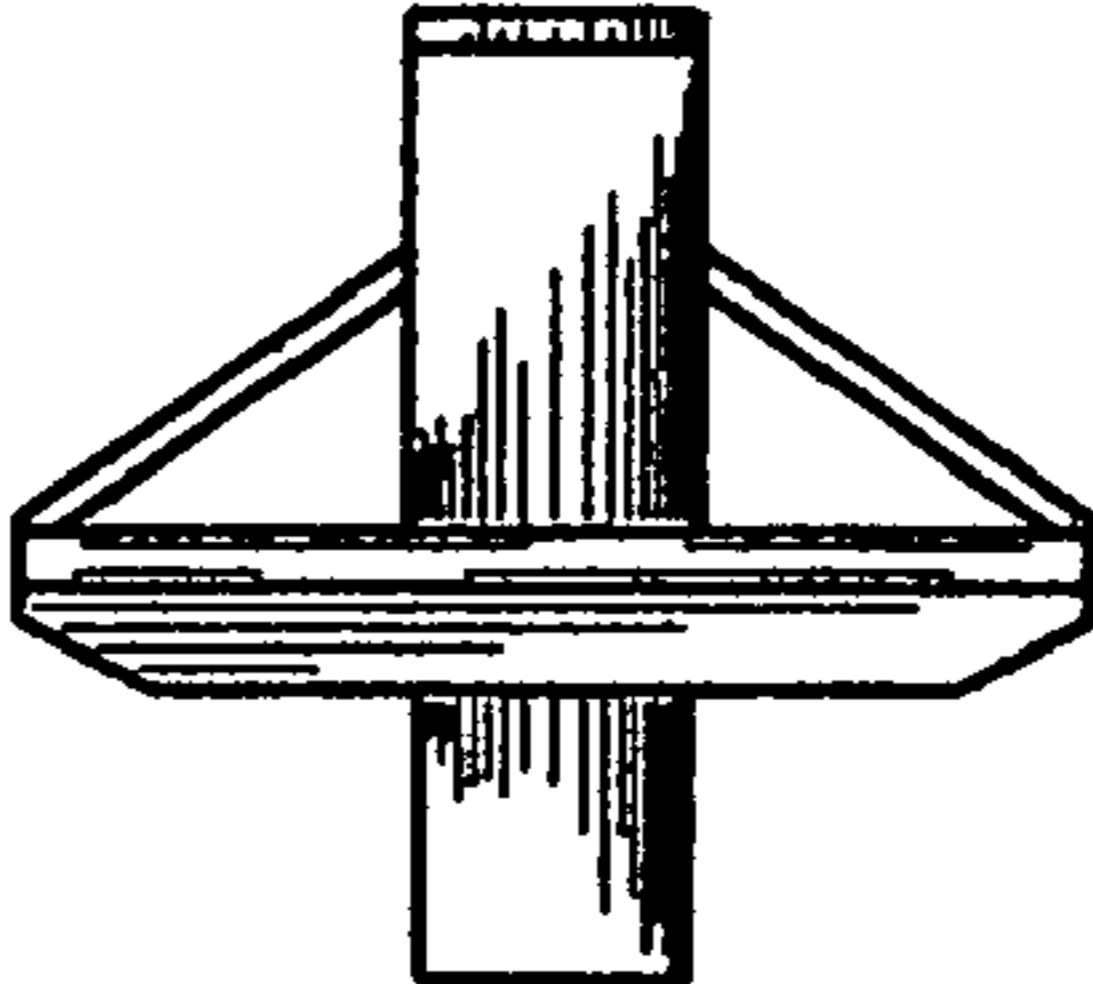


FIG. 3

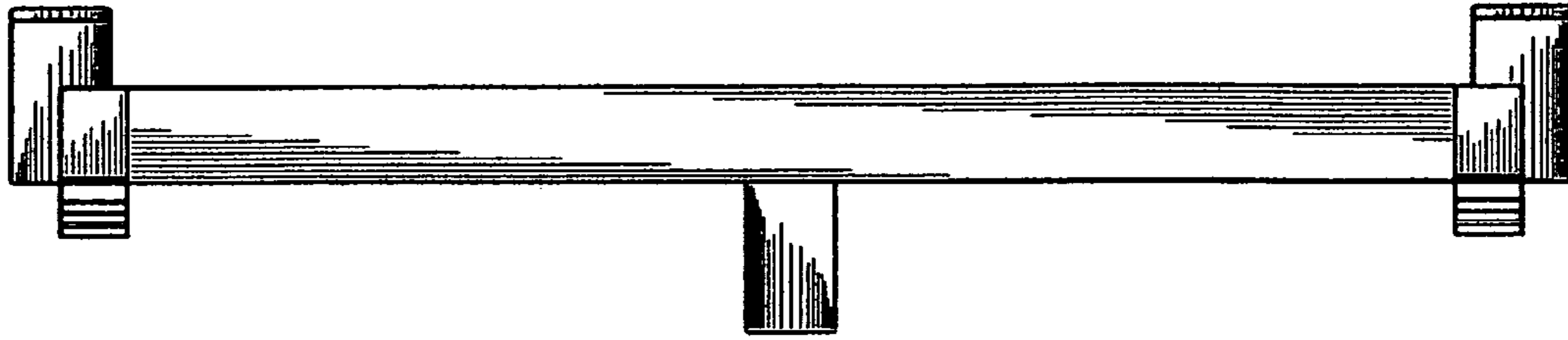


FIG. 4

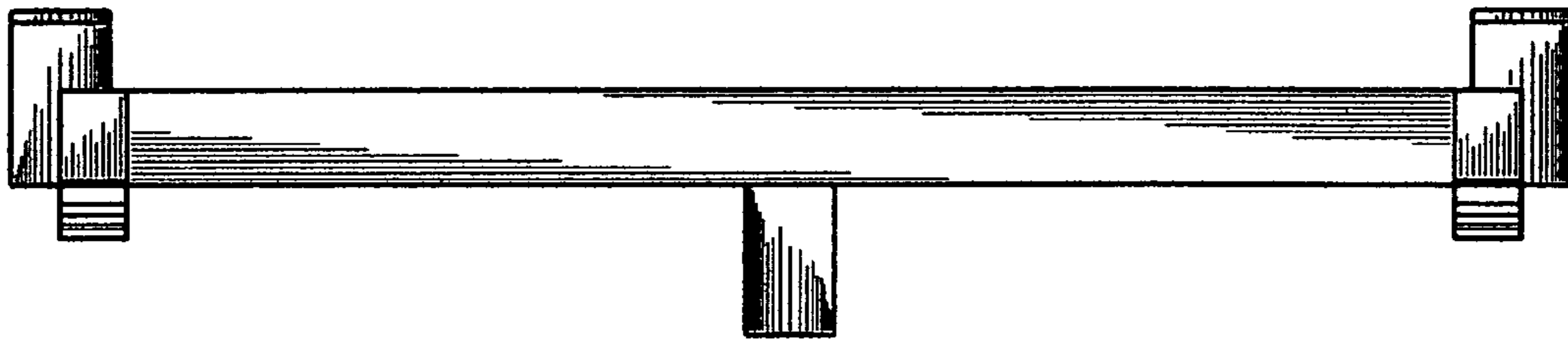


FIG. 5

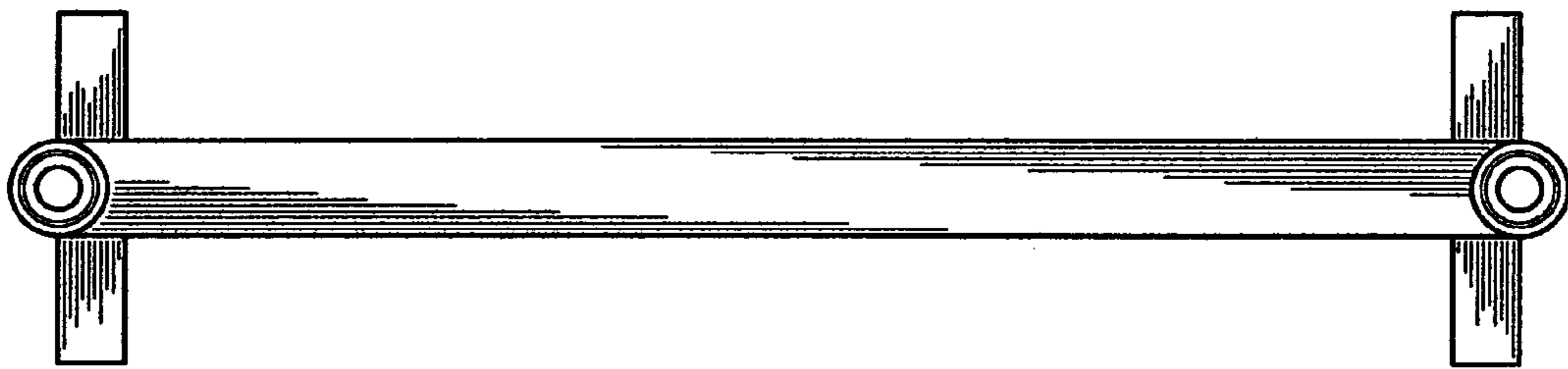


FIG. 6

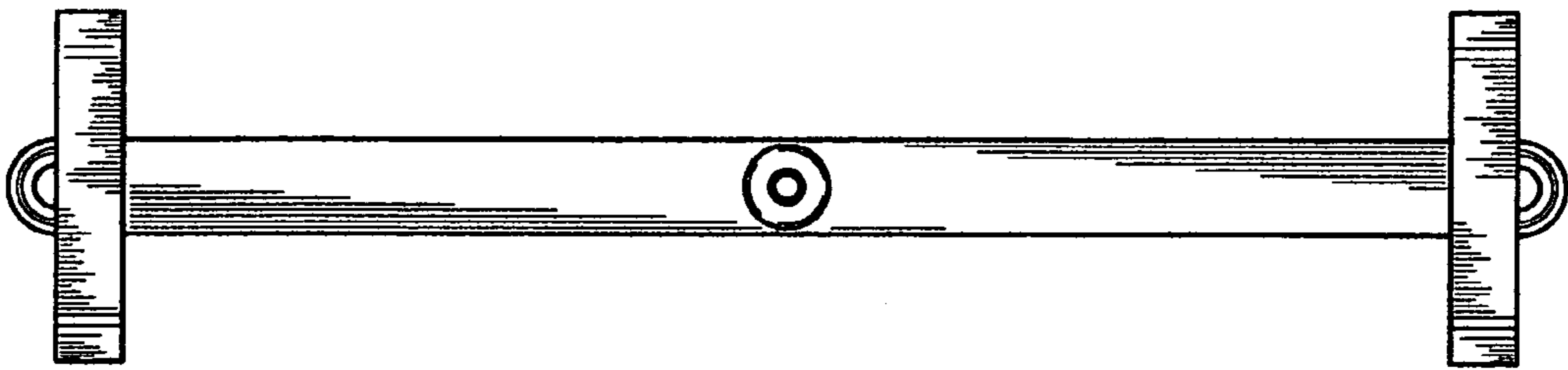


FIG. 7